



PRO FS 15R FOLLOWSPOT™

user manual

©2015 **ELATION PROFESSIONAL** all rights reserved. Information, specifications, diagrams, images, and instructions herein are subject to change without notice. ELATION PROFESSIONAL logo and identifying product names and numbers herein are trademarks of ELATION PROFESSIONAL. Copyright protection claimed includes all forms and matters of copyrightable materials and information now allowed by statutory or judicial law or hereinafter granted. Product names used in this document may be trademarks or registered trademarks of their respective companies and are hereby acknowledged. All non-ELATION brands and product names are trademarks or registered trademarks of their respective companies.

ELATION PROFESSIONAL and all affiliated companies hereby disclaim any and all liabilities for property, equipment, building, and electrical damages, injuries to any persons, and direct or indirect economic loss associated with the use or reliance of any information contained within this document, and/or as a result of the improper, unsafe, insufficient and negligent assembly, installation, rigging, and operation of this product.

Elation Professional USA | 6122 S. Eastern Ave. | Los Angeles, CA. 90040
323-582-3322 | 323-832-9142 fax | www.elationlighting.com | info@elationlighting.com

Elation Professional B.V. | Junostraat 2 | 6468 EW Kerkrade, Netherlands
+31 45 546 85 66 | +31 45 546 85 96 fax | www.elationlighting.eu | info@elationlighting.eu

DOCUMENT VERSION



Please check www.elationlighting.com for the latest revision/update of this manual.

| Date | Document Version | Notes |
|--------|------------------|------------------------|
| 2/2015 | 1 | Updated manual format. |

C O N T E N T S

| | |
|--------------------------------|----|
| General Information | 4 |
| Warranty | 6 |
| Safety Instructions | 7 |
| General Guidelines | 8 |
| Discharge Lamp Warning | 9 |
| Fixture Overview | 10 |
| Lamp Installation Instructions | 11 |
| Fixture Installation | 14 |
| Operation | 15 |
| Cleaning and Maintenance | 17 |
| Technical Specifications | 18 |
| Road Case Installation | 21 |

GENERAL INFORMATION

INTRODUCTION

Congratulations, you have just purchased one of the most innovative and reliable lighting fixtures on the market today! The **PRO FS 15R FOLLOWSPOT™** has been designed to perform reliably for years when the guidelines in this booklet are followed. Please read and understand the instructions in this manual carefully and thoroughly before attempting to operate this unit. These instructions contain important information regarding safety during use and maintenance.

UNPACKING

Thank you for purchasing the **PRO FS 15R FOLLOWSPOT™** by Elation Professional®. Every **PRO FS 15R FOLLOWSPOT™** has been thoroughly tested and has been shipped in perfect operating condition. Carefully check the shipping carton for damage that may have occurred during shipping. If the carton appears to be damaged, carefully inspect your unit for damage and be sure all accessories necessary to operate the unit have arrived intact. In the event damage has been found or parts are missing, please contact our customer support team for further instructions. Please do not return this unit to your dealer without first contacting customer support at the number listed below. Please do not discard the shipping carton in the trash. Please recycle whenever possible.

BOX CONTENTS

- (1) powerCON Cable
- (1) Tri-Pod Stand
- (1) Road Case
- Manual & Warranty Card

CUSTOMER SUPPORT

Elation Professional® provides a customer support line, to provide set up help and to answer any question should you encounter problems during your set up or initial operation. You may also visit us on the web at www.elationlighting.com for any comments or suggestions. For service related issue please contact Elation Professional®.

ELATION SERVICE USA - Monday - Friday 8:00am to 5:00pm PST

Voice: 323-582-3322

Fax: 323-832-9142

E-mail: support@elationlighting.com

ELATION SERVICE EUROPE - Monday - Friday 08:30 to 17:00 CET

Voice: +31 45 546 85 30

Fax: +31 45 546 85 96

E-mail: support@elationlighting.eu

WARRANTY REGISTRATION

Please fill out the enclosed warranty card to validate your purchase. All returned service items whether under warranty or not, must be freight pre-paid and accompany a return authorization (R.A.) number. The R.A. number must be clearly written on the outside of the return package. A brief description of the problem as well as the R.A. number must also be written down on a piece of paper and included in the shipping container. If the unit is under warranty, you must provide a copy of your proof of purchase invoice. Items returned without a R.A. number clearly marked on the outside of the package will be refused and returned at customer's expense. You may obtain a R.A. number by contacting customer support.

IMPORTANT NOTICE!



There are no user serviceable parts inside this unit. Do not attempt any repairs yourself; doing so will void your manufactures warranty. Damages resulting from modifications to this fixture and/or the disregard of safety and general user instructions found in this user manual void the manufactures warranty and are not subject to any warranty claims and/or repairs.

LIMITED WARRANTY

A. Elation Professional® hereby warrants, to the original purchaser, Elation Professional® products to be free of manufacturing defects in material and workmanship for a period of two years (730 days), and Elation Professional® product rechargeable batteries to be free of manufacturing defects in material and workmanship for a period of six months (180 days), from the original date of purchase. This warranty excludes discharge lamps and all product accessories. This warranty shall be valid only if the product is purchased within the United States of America, including possessions and territories. It is the owner's responsibility to establish the date and place of purchase by acceptable evidence, at the time service is sought.

B. For warranty service, send the product only to the Elation Professional® factory. All shipping charges must be pre-paid. If the requested repairs or service (including parts replacement) are within the terms of this warranty, Elation Professional® will pay return shipping charges only to a designated point within the United States. If any product is sent, it must be shipped in its original package and packaging material. No accessories should be shipped with the product. If any accessories are shipped with the product, Elation Professional® shall have no liability what so ever for loss and/or or damage to any such accessories, nor for the safe return thereof.

C. This warranty is void if the product serial number and/or labels are altered or removed; if the product is modified in any manner which Elation Professional® concludes, after inspection, affects the reliability of the product; if the product has been repaired or serviced by anyone other than the Elation Professional® factory unless prior written authorization was issued to purchaser by Elation Professional®; if the product is damaged because not properly maintained as set forth in the product instructions, guidelines and/or user manual.

D. This is not a service contract, and this warranty does not include any maintenance, cleaning or periodic check-up. During the periods as specified above, Elation Professional® will replace defective parts at its expense, and will absorb all expenses for warranty service and repair labor by reason of defects in material or workmanship. The sole responsibility of Elation Professional® under this warranty shall be limited to the repair of the product, or replacement thereof, including parts, at the sole discretion of Elation Professional®. All products covered by this warranty were manufactured after January 1, 1990, and bare identifying marks to that effect.

E. Elation Professional® reserves the right to make changes in design and/or performance improvements upon its products without any obligation to include these changes in any products theretofore manufactured.

F. No warranty, whether expressed or implied, is given or made with respect to any accessory supplied with the products described above. Except to the extent prohibited by applicable law, all implied warranties made by Elation Professional® in connection with this product, including warranties of merchantability or fitness, are limited in duration to the warranty periods set forth above. And no warranties, whether expressed or implied, including warranties of merchantability or fitness, shall apply to this product after said periods have expired. The consumer's and/or dealer's sole remedy shall be such repair or replacement as is expressly provided above; and under no circumstances shall Elation Professional® be liable for any loss and/or damage, direct and/or consequential, arising out of the use of, and/or the inability to use, this product.

G. This warranty is the only written warranty applicable to Elation Professional® products and supersedes all prior warranties and written descriptions of warranty terms and conditions heretofore published.

SAFETY INSTRUCTIONS



The **PRO FS 15R FOLLOWSPOT™** is an extremely sophisticated piece of electronic equipment. To guarantee a smooth operation, it is important to follow the guidelines in this manual. The manufacturer of this device will not accept responsibility for damages resulting from the misuse of this fixture due to the disregard of the information printed in this manual.



This device falls under **PROTECTION CLASS 1**. It's essential this device be grounded properly. Only qualified personnel should perform all electrical connections.

C A U T I O N S



KEEP THIS FIXTURE AWAY FROM RAIN AND MOISTURE!



UNPLUG POWER BEFORE SERVICING FIXTURE!



NEVER TOUCH FIXTURE DURING OPERATION, IT MAY BE HOT!



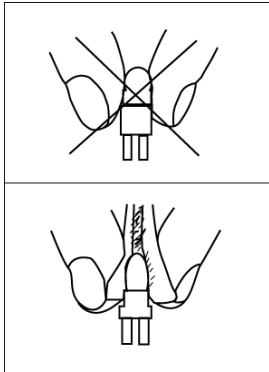
**NEVER LOOK DIRECTLY INTO THE LIGHT SOURCE!
SENSITIVE PERSONS MAY SUFFER AN EPILEPTIC SHOCK!**

- For proper operation, follow the **Installation** guidelines described in this manual. Only qualified and certified personnel should perform installation of this fixture and only the original rigging parts (brackets) included with this fixture should be used for installation. Any modifications will void the original manufacturer's warranty and increase the risk of damage and/or personal injury.
- Never look directly into the light source of this fixture to prevent risk of injury to your retina, which may induce blindness. Those suffering from **EPILEPSY** should avoid looking directly into the light source of this unit at all times.
- The fan and air inlets must remain clean and never blocked. Allow approx. 6" (15cm) between this fixture and other devices or a wall for proper cooling.
- Always disconnect from main power source before performing any type of service and/or cleaning procedure. Only handle the power cord by the plug end, never pull out the plug by tugging the wire portion of the cord.
- Do not operate this fixture if the power cord has become frayed, crimped and/or damaged. If the power cord is damaged, replace it immediately with a new one of similar power rating.

GENERAL GUIDELINES


- **NEVER OPEN THIS FIXTURE WHILE IN USE!**
- During the initial operation of this fixture, a light smoke or smell may emit from the interior of the fixture. This is a normal process and is caused by excess paint in the interior of the casing burning off from the heat associated with the lamp and will decrease gradually over time.
- This fixture is a professional lighting effect designed for **INDOOR / DRY LOCATIONS ONLY** on stage, in nightclubs, theatres, etc.
- Please make sure there are **NO FLAMMABLE MATERIALS** close to the fixture while operating, to prevent any fire hazard.
- The fixture must be installed in a location with adequate ventilation, at least 1.6 feet (.5m) from adjacent surfaces. Be sure no air ventilation slots are blocked.
- **DO NOT** attempt installation and/or operation without knowledge how to do so.
- **DO NOT** permit operation by persons who are not qualified to operate this type of fixture. Most damages are the result of operations by nonprofessionals.
- Consistent operational breaks may ensure the fixture will function properly for many years to come.
- **DO NOT** shake fixture, avoid brute force when installing and/or operating fixture.
- Use only the original road case to transport the fixture in for service.
- **DO NOT TOUCH** the housing bare-hand during its operation. Turn OFF the power and allow approximately 15 minutes for the fixture to cool down before replacing or serving.

DISCHARGE LAMP WARNING



This fixture is fitted with a DISCHARGE LAMP, which is highly susceptible to damage if improperly handled. NEVER touch the lamp with your bare hands, as the oil from your hands will shorten the life of the lamp. Also, NEVER move the fixture until the lamp has had ample time to cool. Lamps are NOT covered under warranty conditions.

Avoid switching the fixture ON and OFF repeatedly in short intervals, as this will reduce lamp life and intensity. To achieve the intensity associated with discharge lamps, these lamps use gas sealed in a high-pressure environment to emit a brilliant output.

 Due to the high pressure involved with the construction of the lamp, the lamp **MAY EXPLODE DURING PROLONGED EXTENSIVE USE**. This risk is increased with age; added care is encouraged when dealing with older lamps. Thus, the lamp must always be replaced at the end of their recommended duty cycle. Extreme caution should be used when operating this or any fixture fitted with a gas discharge lamp.



U V R A D I A T I O N N O T I C E

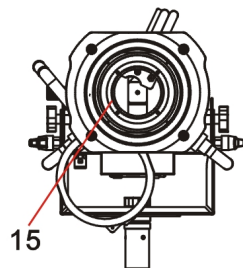
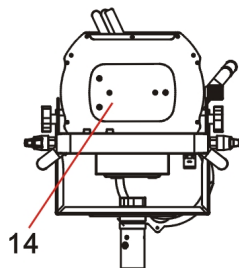
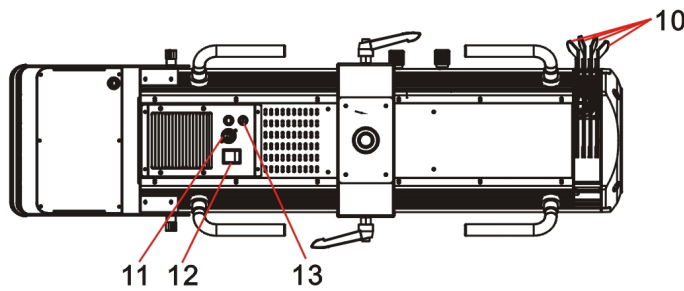
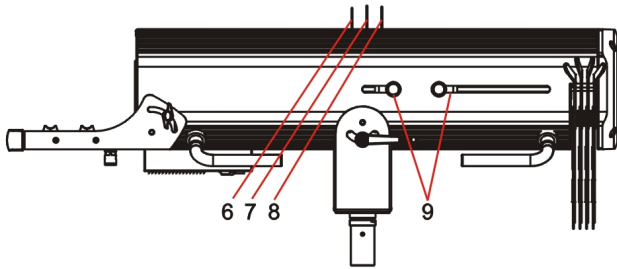
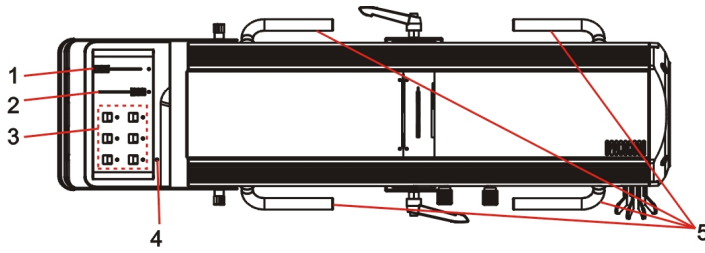
This fixture emits intense UV radiation, which is harmful to the eyes and skin. The intense luminance of the lamp can cause severe damage to the retina. NEVER operate this fixture with ANY of the protective covers removed. These covers have been specially designed to shield against UV radiation.



L A M P R E P L A C E M E N T

Please note that due to the nature of the Phillips™ Platinum 15R Lamp and the optical path of the Elation PRO FS 15R FOLLOWSPOT fixture, the lamp **MUST BE** replaced at 2,000 hours. Use only Genuine Original Phillips™ Platinum 15R Lamps. Other brand lamps may cause damage and void warranty!

FIXTURE OVERVIEW



1. Dimmer
2. Color Temperature
3. Color Selection Buttons
4. Power Indicator
5. Handles
6. Iris
7. Frost Filter
8. Framing
9. Beam Angle/Zoom/Focus
10. Gel Frames
11. powerCON IN
12. Power Switch
13. Fuse
14. Lamp Access/Cover Panel
15. Lens

LAMP INSTALLATION INSTRUCTIONS



LAMP REPLACEMENT

Please note that due to the nature of the Phillips™ Platinum 15R Lamp and the optical path of the Elation PRO FS 15R FOLLOWSPOT fixture, the lamp **MUST BE** replaced at 2,000 hours. Use only Genuine Original Phillips™ Platinum 15R Lamps. Other brand lamps may cause damage and void warranty!

INSTALLING OR REPLACING THE LAMP

To ensure a proper/safe lamp change, carefully read all the following instructions.

LAMP RATED LIFE

Because of the nature of the extreme heat associated with the Phillips™ Platinum 15R lamp and the tight nature of the internal optical system, it is **IMPERATIVE** that the lamp be replaced every **2,000 Hours**. This is done to protect the internal optical system as well as prevent accidental lamp explosion, which could lead to hot glass particles falling from the fixture.

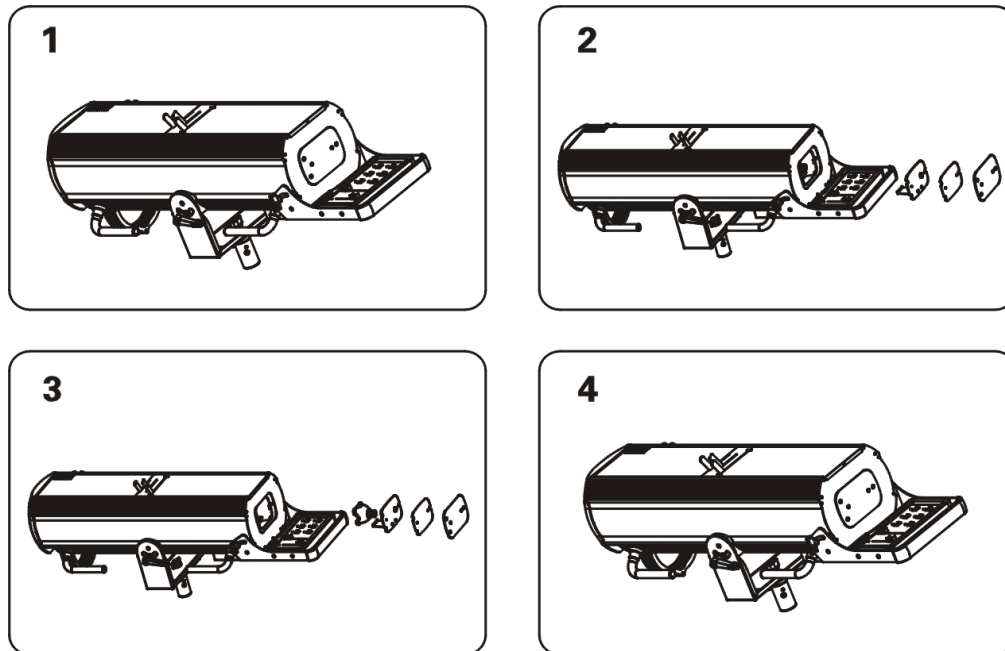


FAILURE TO CHANGE THE LAMP AFTER THE 2,000 HOUR RATED LIFE, MAY CAUSE INTERNAL DAMAGE TO THE FIXTURE!

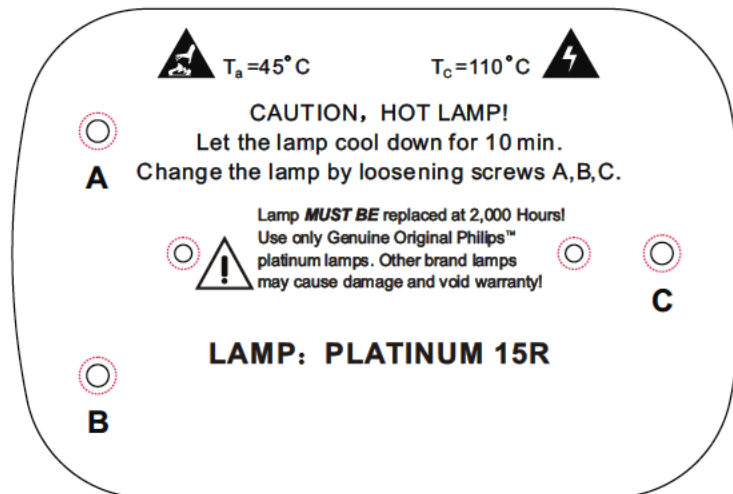
LAMP SAFETY INSTRUCTIONS

- **ALWAYS** replace lamp every 2,000 Hours.
- Use only Genuine Original Phillips™ Platinum 15R lamps. Other brand lamps may cause damage and void the warranty!
- **NEVER** touch the lamp with your bare hands, as the oil from your hands will shorten the life of the lamp.
- Always disconnect the fixture's main power supply before replacing lamp.
- Allow fixture to cool for at least 15 minutes before attempting any type of service.
- Make sure **ALL** covers/panels are replaced/secured before operating the fixture to prevent any risk and/or damage to eye retina from UV Radiation exposure!

LAMP INSTALLATION PROCEDURE



1. Remove **(3)** screws marked “A”, “B”, and “C” on the rear cover plate (see image below) and then remove the plate to access the lamp.



2. Carefully remove the **(2) RED WIRES** connected to the lamp base.
3. Gently remove the OLD lamp by grasping the ceramic socket base and twist the lamp until it becomes free.
4. Once lamp becomes free, gently pull the lamp out.

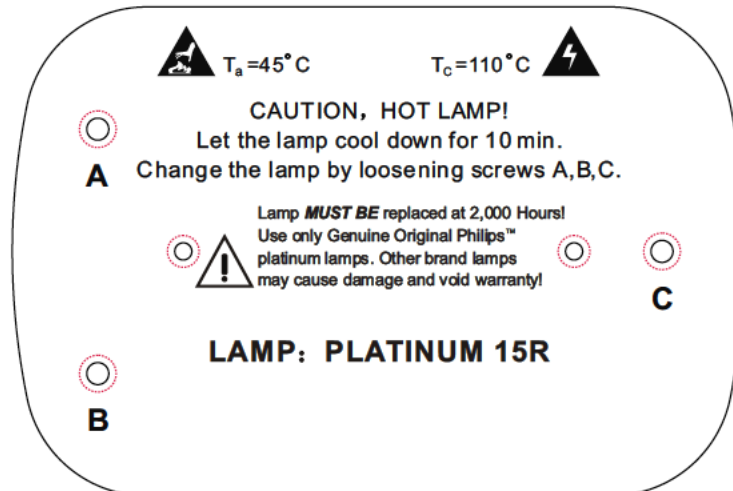
5. Insert NEW lamp securely until it sits flush against the lamp holder, and is seated in the same proper position as the OLD lamp.

Note: The lamp will only fit one way.



NOTE: Wrap NEW lamp with the soft cloth that comes with the packaging; AVOID naked hand contact to the lamp directly.

6. Once NEW lamp has been properly installed, attach the **(2) RED WIRES** to the base of the lamp.
7. Replace the rear cover plate back (see image below) into place by securing **(3)** screws marked **“A”**, **“B”**, and **“C”**.



LAMP OPTIMIZATION

Unlike traditional discharge lamps the **Phillips™ Platinum 15R PRO Lamp** does **NOT** require optimization. The lamp orientation and optimization procedure has been preset during the manufacturing process of the lamp.

Please remember the **Phillips™ Platinum 15R PRO Lamp** is **NOT** a hot-restrike lamp therefore, you must wait approximately **15 minutes** before you can attempt to restrike the lamp once it has been turned off.

FIXTURE INSTALLATION



FLAMMABLE MATERIAL WARNING

Keep fixture at least 5.0 ft. (1.5m) away from any flammable materials, decorations, pyrotechnics, etc.



ELECTRICAL CONNECTIONS

A qualified electrician should be used for all electrical connections and/or installations.



CAUTIONS

- For added protection, **DO NOT** lift and/or install the fixture by yourself. Use two persons to remove the fixture from the road case and to place onto the included tripod stand, as well as to remove the fixture from the tripod stand and place into the road case.
- **DO NOT** expose fixture to extreme heat, moisture or dust.
- Ambient operating temperature range for this fixture is **14° to 113°F. (-10° to 45°C)**
Do not use the fixture under or above this temperature.

MOUNTING POINTS

- The **PRO FS 15R FOLLOWSPOT™** is designed to be used with the included tripod stand. **DO NOT** attempt to install the fixture on a different stand as it may cause damage to the fixture and/or personal injury and may void the warranty.



W A R N I N G

MINIMUM distance to lighted objects must be 10 feet (3m)

OPERATION

MANUAL CONTROL SYSTEM

The **PRO FS 15R FOLLOWSPOT™** comes with an easy to navigate manual control system. The next section will provide details of each feature and function.

DIMMING

Adjust dimming manually by moving fader between 0% and 100%.

COLOR TEMPERATURE

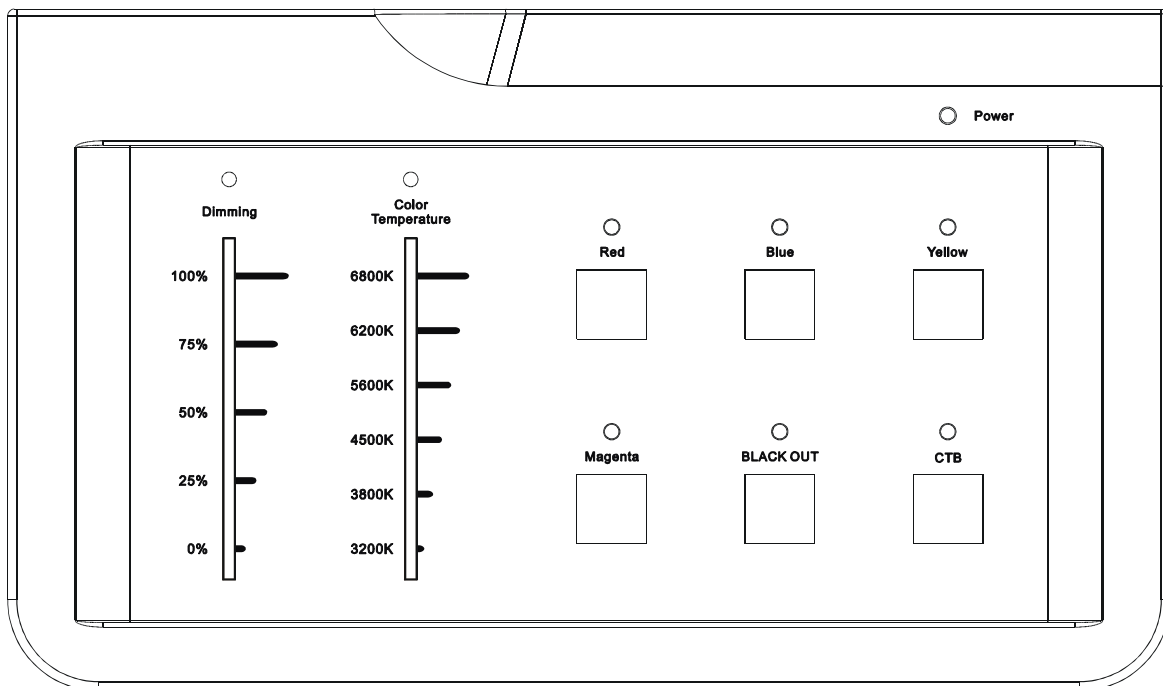
Adjust color temperature manually by moving fader between 3,200K and 6,800K.

COLOR

Select any of the (5) dichroic colors (RED, BLUE, GREEN, YELLOW, MAGENTA, CTB) by pressing the corresponding button.

BLACKOUT

Press the BLACK OUT button to close shutter and press again to open shutter.



IRIS

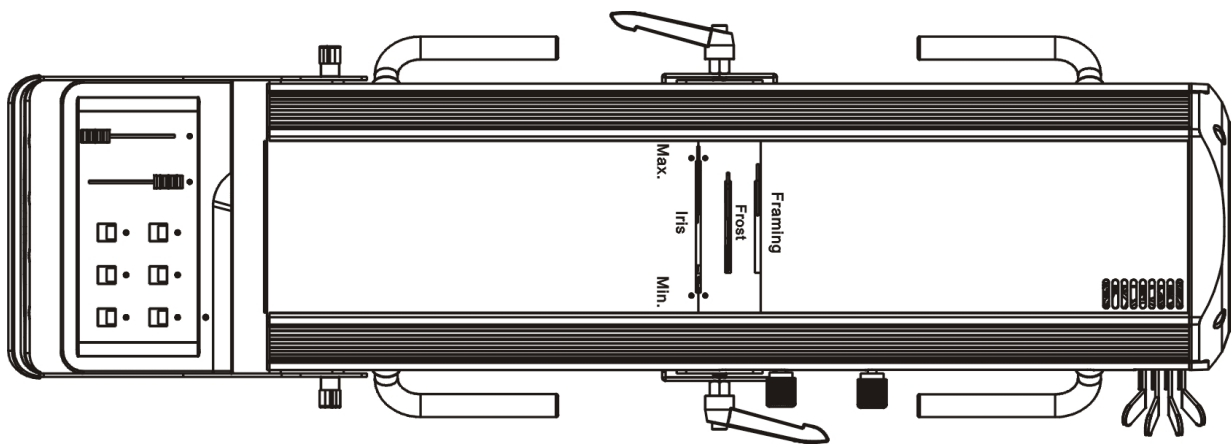
Adjust IRIS manually by moving slider between MIN and MAX points.

FROST

To engage the FROST filter, move the slider manually accordingly.

FRAMING

To engage the FRAMING profile, move the slider manually accordingly.

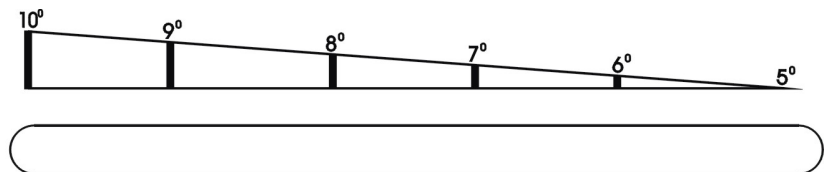
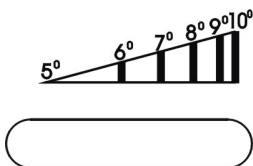


BEAM ANGLE / ZOOM / FOCUS

Adjust BEAM ANGLE manually by turning both knobs counterclockwise to loosen and then move knobs to select desired beam angle between 5° to 10°.



Both knobs MUST be set to the same position to properly adjust FOCUS and ZOOM.



CLEANING AND MAINTENANCE



C A U T I O N

Disconnect power before cleaning or maintenance.

CLEANING

Frequent cleaning is recommended to insure proper function, optimized light output, and an extended life. The frequency of cleaning depends on the environment in which the fixture operates: damp, smoky or particularly dirty environments can cause greater accumulation of dirt on the fixture's optics.

- Clean the external lens surface at least every 20 days with a soft cloth to avoid dirt/debris accumulation.
- Never use alcohol, solvents, or ammonia based cleaners.

MAINTENANCE

Regular inspections are recommended to insure proper function and extended life. There are no user serviceable parts inside this fixture, please refer all other service issues to an authorized Elation service technician. Should you need any spare parts, please order genuine parts from your local Elation dealer.

Please refer to the following points during routine inspections:

- A detailed electric check by an approved electrical engineer every three months, to make sure the circuit contacts are in good condition and prevent overheating.
- Be sure all screws and fasteners are securely tightened at all times. Loose screws may fall out during normal operation resulting in damage or injury as larger parts could fall.
- Check for any deformations on the housing, color lenses, rigging hardware and rigging points (ceiling, suspension, trussing). Deformations in the housing could allow for dust to enter into the fixture. Damaged rigging points or unsecured rigging could cause the fixture to fall and seriously injure a person(s).
- Electric power supply cables must not show any damage, material fatigue or sediments. Never remove the ground prong from the power cable.

TECHNICAL SPECIFICATIONS

FEATURES

5° - 10° Manual Zoom
13,500 Total Lumens
(5) Dichroic Colors Including CTB plus White
(4) Manual Gel Frame Holders
Variable Color Temperature Settings (3,200K - 6,800K)

SOURCE

Phillips™ MSD Platinum 15R Lamp
2,000 Hour Average Lamp Life

PHOTOMETRIC DATA

10,770 LUX 1,001 FC @32.8' (10M) (6° Full On)

EFFECTS

Iris and Framing
Frost
Smooth Dimming (0-100%)

CONTROL / CONNECTIONS

(4) Push Buttons
(2) Faders (Dimming + Color Temperature)
powerCON In

SIZE / WEIGHT - Followspot

Length: 42.0" (1068mm)
Width: 14.9" (376mm)
Vertical Height: 10.0" (255mm)
Weight: 52.0 lbs. (24 kg)

SIZE / WEIGHT - Road Case

Length: 46.0" (1170mm)
Width: 26.8" (680mm)
Vertical Height: 25.6" (650mm)
Weight: 174.0 lbs. (79 kg) (with followspot + stand)

ELECTRICAL / THERMAL

AC 100-240V - 50/60Hz
400W Max Power Consumption
14° to 113°F (-10° to 45°C)

APPROVALS / RATINGS

CE | IP20

Please Note: Specifications and improvements in the design of this unit and this manual are subject to change without any prior written notice.

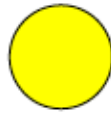
COLORS



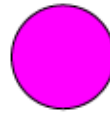
Red



Blue



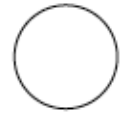
Yellow



Magenta

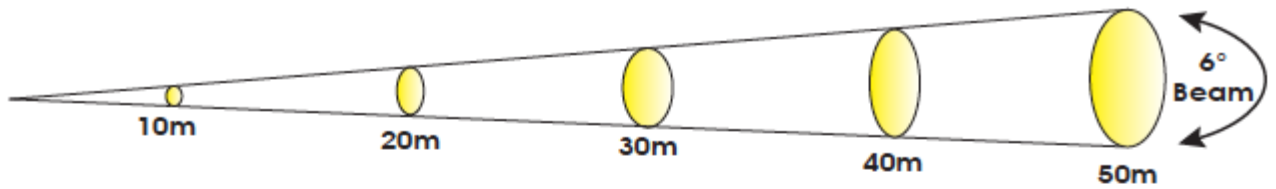


C T B

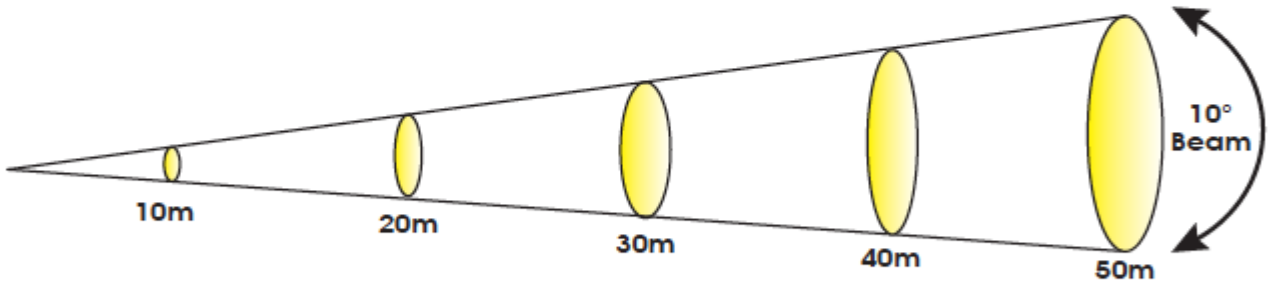


White

PHOTOMETRIC DATA



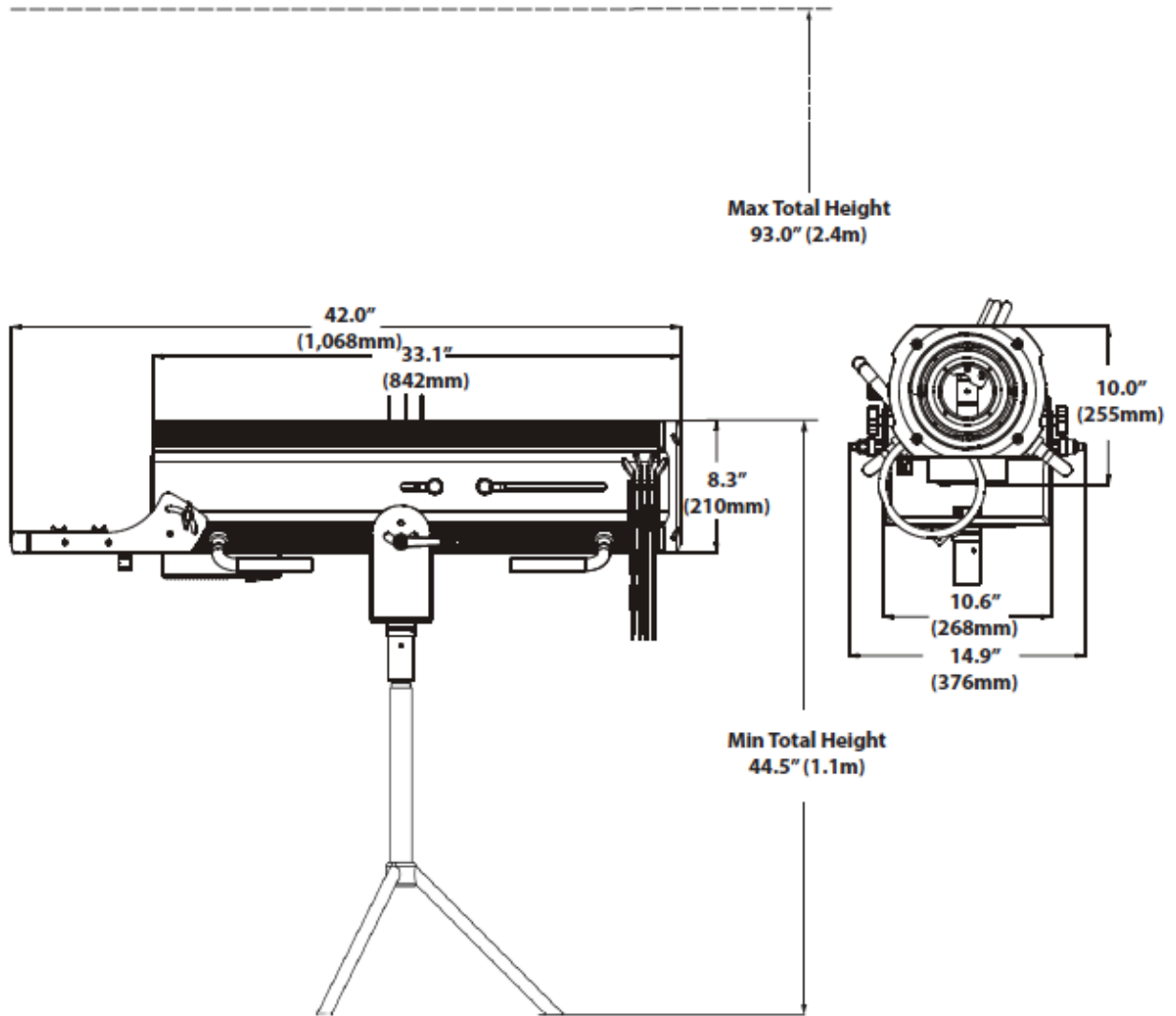
| Distance | m | ft | m | ft | m | ft | m | ft | m | ft |
|------------------|--------|-------|-------|-----|-------|------|-------|------|-----|------|
| | 10 | 32.8 | | 20 | | 65.6 | | 30 | | 98.4 |
| 6° Beam Diameter | 1.2 | 3.9 | 2.1 | 6.9 | 3.1 | 10.2 | 4.5 | 14.8 | 5.8 | 19.0 |
| | lux | fc | lux | fc | lux | fc | lux | fc | lux | fc |
| FULL ON | 10,770 | 1,001 | 3,450 | 321 | 1,869 | 174 | 1,021 | 95 | 305 | 28 |



| Distance | m | ft | m | ft | m | ft | m | ft | m | ft |
|-------------------|-------|------|-------|------|-----|------|-----|------|-----|------|
| | 10 | 32.8 | | 20 | | 65.6 | | 30 | | 98.4 |
| 10° Beam Diameter | 1.9 | 6.2 | 3.3 | 10.8 | 4.6 | 15.1 | 6.3 | 20.7 | 8.3 | 27.2 |
| | lux | fc | lux | fc | lux | fc | lux | fc | lux | fc |
| FULL ON | 4,837 | 449 | 1,636 | 152 | 856 | 80 | 273 | 25 | 102 | 9 |

Please Note: Specifications and improvements in the design of this unit and this manual are subject to change without any prior written notice.

DIMENSIONAL DRAWINGS



Please Note: Specifications and improvements in the design of this unit and this manual are subject to change without any prior written notice.

ROAD CASE INSTALLATION



