

# WW PROFILE™

user manual

©2016 **ELATION PROFESSIONAL** all rights reserved. Information, specifications, diagrams, images, and instructions herein are subject to change without notice. ELATION PROFESSIONAL logo and identifying product names and numbers herein are trademarks of ELATION PROFESSIONAL. Copyright protection claimed includes all forms and matters of copyrightable materials and information now allowed by statutory or judicial law or hereinafter granted. Product names used in this document may be trademarks or registered trademarks of their respective companies and are hereby acknowledged. All non-ELATION brands and product names are trademarks or registered trademarks of their respective companies.

**ELATION PROFESSIONAL** and all affiliated companies hereby disclaim any and all liabilities for property, equipment, building, and electrical damages, injuries to any persons, and direct or indirect economic loss associated with the use or reliance of any information contained within this document, and/or as a result of the improper, unsafe, insufficient and negligent assembly, installation, rigging, and operation of this product.

**Elation Professional USA** | 6122 S. Eastern Ave. | Los Angeles, CA. 90040

323-582-3322 | 323-832-9142 fax | [www.elationlighting.com](http://www.elationlighting.com) | [info@elationlighting.com](mailto:info@elationlighting.com)

**Elation Professional B.V.** | Junostraat 2 | 6468 EW Kerkrade, The Netherlands

+31 45 546 85 66 | +31 45 546 85 96 fax | [www.elationlighting.eu](http://www.elationlighting.eu) | [info@elationlighting.eu](mailto:info@elationlighting.eu)

## **DOCUMENT VERSION**



Please check [www.elationlighting.com](http://www.elationlighting.com) for the latest revision/update of this manual.

<b>Date</b>	<b>Document Version</b>	<b>Software Version</b>	<b>DMX Channel Modes</b>	<b>Notes</b>
5/2015	1	≥1.0.1	1/ 4	ETL version.
2/18/16	2	≥1.0.2	1/ 4	Added LED Calibration, Refresh Rate and Gamma menus.

## C O N T E N T S

General Information	4
Warranty	6
Safety Instructions	7
General Guidelines	8
Fixture Overview	9
Lens and Gobo Holder Installation	10
Fixture Installation	11
Fixture Menu	14
DMX Channel Functions And Values	23
Cleaning and Maintenance	24
Technical Specifications	25
Optional Accessories	27

## **GENERAL INFORMATION**

### **INTRODUCTION**

Congratulations, you have just purchased one of the most innovative and reliable lighting fixtures on the market today! This fixture has been designed to perform reliably for years when the guidelines in this booklet are followed. Please read and understand the instructions in this manual carefully and thoroughly before attempting to operate this unit. These instructions contain important information regarding safety during use and maintenance.

### **UNPACKING**

Every fixture has been thoroughly tested and has been shipped in perfect operating condition. Carefully check the shipping carton for damage that may have occurred during shipping. If the carton appears to be damaged, carefully inspect your unit for damage and be sure all accessories necessary to operate the unit have arrived intact. In the event damage has been found or parts are missing, please contact our customer support team for further instructions. Please do not return this unit to your dealer without first contacting customer support at the number listed below. Please do not discard the shipping carton in the trash. Please recycle whenever possible.

## CUSTOMER SUPPORT

Elation Professional® provides a customer support line, to provide set up help and to answer any question should you encounter problems during your set up or initial operation. You may also visit us on the web at [www.elationlighting.com](http://www.elationlighting.com) for any comments or suggestions. For service related issue please contact Elation Professional®.

### **ELATION SERVICE USA - Monday - Friday 8:00am to 5:00pm PST**

**Voice: 323-582-3322**

**Fax: 323-832-9142**

E-mail: [support@elationlighting.com](mailto:support@elationlighting.com)

### **ELATION SERVICE EUROPE - Monday - Friday 08:30 to 17:00 CET**

**Voice: +31 45 546 85 30**

**Fax: +31 45 546 85 96**

E-mail: [support@elationlighting.eu](mailto:support@elationlighting.eu)

## WARRANTY REGISTRATION

Please complete and mail in the enclosed warranty card or register online: <http://www.elationlighting.com/Login.aspx> to validate your purchase. All returned service items whether under warranty or not, must be freight pre-paid and accompany a return authorization (R.A.) number. The R.A. number must be clearly written on the outside of the return package. A brief description of the problem as well as the R.A. number must also be written down on a piece of paper and included in the shipping container. If the unit is under warranty, you must provide a copy of your proof of purchase invoice. Items returned without a R.A. number clearly marked on the outside of the package will be refused and returned at customer's expense. You may obtain a R.A. number by contacting customer support.



## **IMPORTANT NOTICE!**

**There are no user serviceable parts inside this unit. Do not attempt any repairs yourself; doing so will void your manufactures warranty. Damages resulting from modifications to this fixture and/or the disregard of safety and general user instructions found in this user manual void the manufactures warranty and are not subject to any warranty claims and/or repairs.**

## LIMITED WARRANTY

A. Elation Professional® hereby warrants, to the original purchaser, Elation Professional® products to be free of manufacturing defects in material and workmanship for a period of two years (730 days), and Elation Professional® product rechargeable batteries to be free of manufacturing defects in material and workmanship for a period of six months (180 days), from the original date of purchase. This warranty excludes discharge lamps and all product accessories. This warranty shall be valid only if the product is purchased within the United States of America, including possessions and territories. It is the owner's responsibility to establish the date and place of purchase by acceptable evidence, at the time service is sought.

B. For warranty service, send the product only to the Elation Professional® factory. All shipping charges must be pre-paid. If the requested repairs or service (including parts replacement) are within the terms of this warranty, Elation Professional® will pay return shipping charges only to a designated point within the United States. If any product is sent, it must be shipped in its original package and packaging material. No accessories should be shipped with the product. If any accessories are shipped with the product, Elation Professional® shall have no liability what so ever for loss and/or damage to any such accessories, nor for the safe return thereof.

C. This warranty is void if the product serial number and/or labels are altered or removed; if the product is modified in any manner which Elation Professional® concludes, after inspection, affects the reliability of the product; if the product has been repaired or serviced by anyone other than the Elation Professional® factory unless prior written authorization was issued to purchaser by Elation Professional®; if the product is damaged because not properly maintained as set forth in the product instructions, guidelines and/or user manual.

D. This is not a service contract, and this warranty does not include any maintenance, cleaning or periodic check-up. During the periods as specified above, Elation Professional® will replace defective parts at its expense, and will absorb all expenses for warranty service and repair labor by reason of defects in material or workmanship. The sole responsibility of Elation Professional® under this warranty shall be limited to the repair of the product, or replacement thereof, including parts, at the sole discretion of Elation Professional®. All products covered by this warranty were manufactured after January 1, 1990, and bare identifying marks to that effect.

E. Elation Professional® reserves the right to make changes in design and/or performance improvements upon its products without any obligation to include these changes in any products theretofore manufactured.

F. No warranty, whether expressed or implied, is given or made with respect to any accessory supplied with the products described above. Except to the extent prohibited by applicable law, all implied warranties made by Elation Professional® in connection with this product, including warranties of merchantability or fitness, are limited in duration to the warranty periods set forth above. And no warranties, whether expressed or implied, including warranties of merchantability or fitness, shall apply to this product after said periods have expired. The consumer's and/or dealer's sole remedy shall be such repair or replacement as is expressly provided above; and under no circumstances shall Elation Professional® be liable for any loss and/or damage, direct and/or consequential, arising out of the use of, and/or the inability to use, this product.

G. This warranty is the only written warranty applicable to Elation Professional® products and supersedes all prior warranties and written descriptions of warranty terms and conditions heretofore published.

## SAFETY INSTRUCTIONS



This fixture is an extremely sophisticated piece of electronic equipment. To guarantee a smooth operation, it is important to follow the guidelines in this manual. The manufacturer of this device will not accept responsibility for damages resulting from the misuse of this fixture due to the disregard of the information printed in this manual.



This device falls under **PROTECTION CLASS 1**. It's essential this device be grounded properly. Only qualified personnel should perform all electrical connections.



**I N D O O R S U S E O N L Y !**  
**DO NOT EXPOSE FIXTURE RAIN AND MOISTURE!**



**UNPLUG POWER BEFORE SERVICING FIXTURE!**  
**DO NOT PLUG FIXTURE INTO A DIMMER PACK!**  
**NEVER TOUCH FIXTURE DURING OPERATION, AS IT MAY BE HOT!**



**NEVER LOOK DIRECTLY INTO THE LIGHT SOURCE!**  
**SENSITIVE PERSONS MAY SUFFER AN EPILEPTIC SHOCK!**

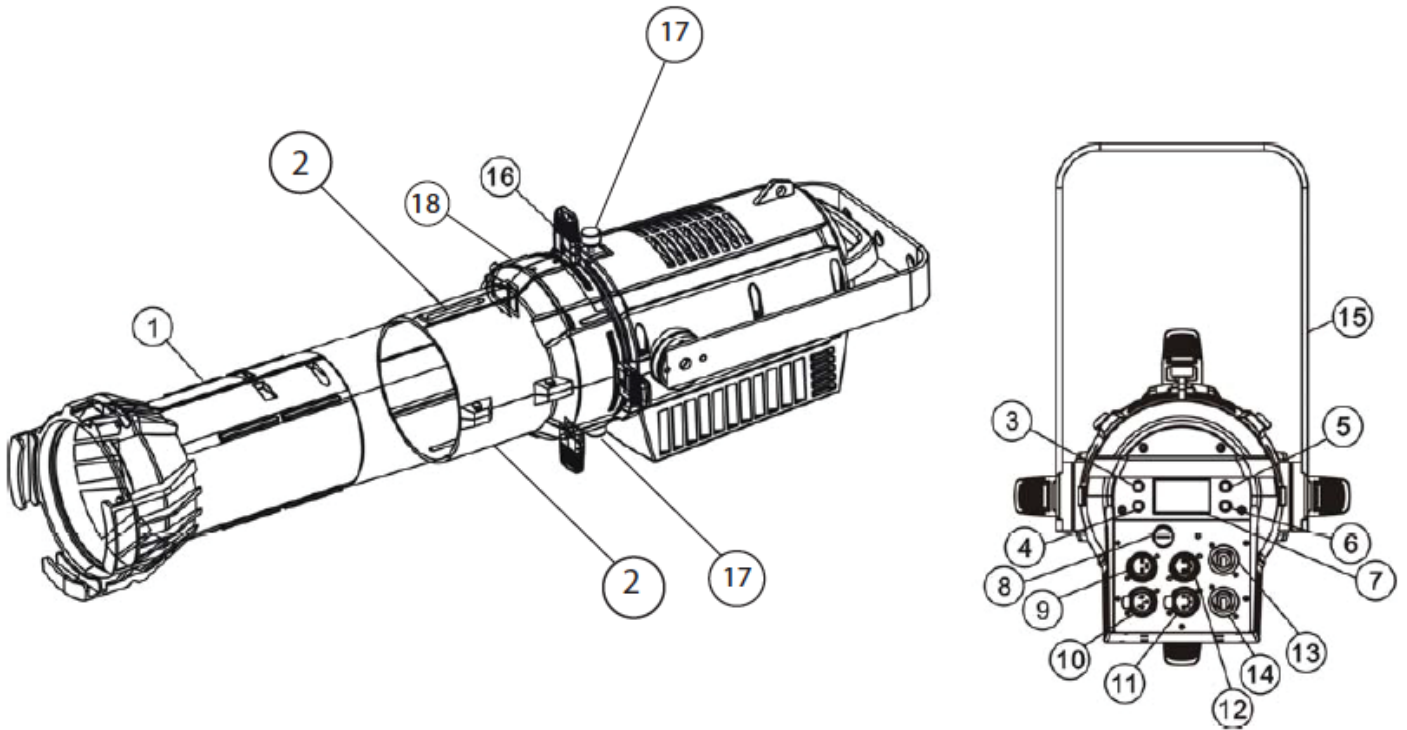
- For proper operation, follow the **Installation** guidelines described in this manual. Only qualified and certified personnel should perform installation of this fixture and only the original rigging parts (brackets) included with this fixture should be used for installation. Any modifications will void the original manufacturer's warranty and increase the risk of damage and/or personal injury.
- Never look directly into the light source of this fixture to prevent risk of injury to your retina, which may induce blindness. Those suffering from **EPILEPSY** should avoid looking directly into the light source of this unit at all times.
- The fan and air inlets must remain clean and never blocked. Allow approx. 6" (15cm) between this fixture and other devices or a wall for proper cooling.
- Always disconnect from main power source before performing any type of service and/or cleaning procedure. Only handle the power cord by the plug end, never pull out the plug by tugging the wire portion of the cord.
- Do not operate this fixture if the power cord has become frayed, crimped and/or damaged. If the power cord is damaged, replace it immediately with a new one of similar power rating.

## GENERAL GUIDELINES

- **NEVER OPEN THIS FIXTURE WHILE IN USE!**
- During the initial operation of this fixture, a light smoke or smell may emit from the interior of the fixture. This is a normal process and is caused by excess paint in the interior of the casing burning off from the heat associated with the lamp and will decrease gradually over time.
- This fixture is a professional lighting effect designed for **INDOOR / DRY LOCATIONS ONLY** on stage, in nightclubs, theatres, etc.
- Please make sure there are **NO FLAMMABLE MATERIALS** close to the fixture while operating, to prevent any fire hazard.
- The fixture must be installed in a location with adequate ventilation, at least 1.5 feet (.5m) from adjacent surfaces. Be sure no air ventilation slots are blocked.
- **DO NOT** attempt installation and/or operation without knowledge how to do so.
- **DO NOT** permit operation by persons who are not qualified to operate this type of fixture. Most damages are the result of operations by nonprofessionals.
- Consistent operational breaks may ensure the fixture will function properly for many years to come.
- **DO NOT** shake fixture, avoid brute force when installing and/or operating fixture.
- Always install the fixture with an appropriate safety cable. When installing the fixture in a suspended environment, always use mounting hardware that is no less than M10 x 25 mm, also be sure the hardware is insert in the pre-arranged screw holes in the bracket of the fixture.
- Use the original packaging and materials to transport the fixture in for service.
- **DO NOT TOUCH** the housing bare-hand during its operation. Turn OFF the power and allow approximately 15 minutes for the fixture to cool down before replacing or serving.

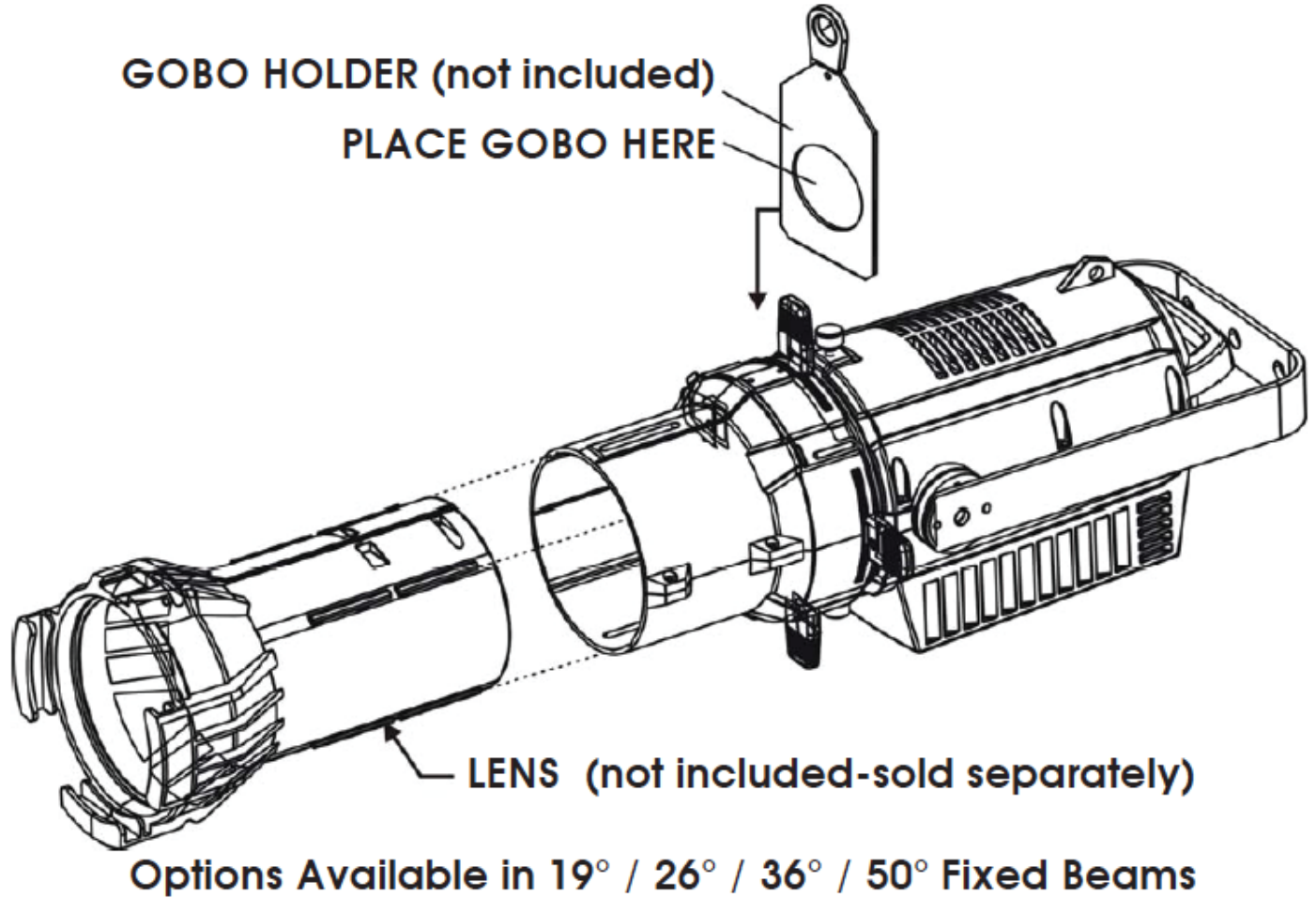


## FIXTURE OVERVIEW



- |                             |                    |
|-----------------------------|--------------------|
| 1. Lens (not included)      | 10. 3pin DMX OUT   |
| 2. FOCUS                    | 11. 5pin DMX OUT   |
| 3. UP Button                | 12. 5pin DMX IN    |
| 4. DOWN Button              | 13. powerCON IN    |
| 5. MODE/ESC Button          | 14. powerCON OUT   |
| 6. ENTER Button             | 15. Mounting Yoke  |
| 7. LCD Menu Control Display | 16. BLADE SHUTTERS |
| 8. FUSE                     | 17. ROTATION       |
| 9. 3pin DMX IN              | 18. Gobo Slot*     |
- \*Gobo and Holder not included**

# LENS AND GOBO HOLDER INSTALLATION



**Gobo Holder (not included)**  
**Supports "B" Size Metal and HT Transparency Gobos (not included)**

## FIXTURE INSTALLATION



### **FLAMMABLE MATERIAL WARNING**

Keep fixture at least 5.0 ft. (1.5m) away from any flammable materials, decorations, pyrotechnics, etc.



### **ELECTRICAL CONNECTIONS**

A qualified electrician should be used for all electrical connections and/or installations.

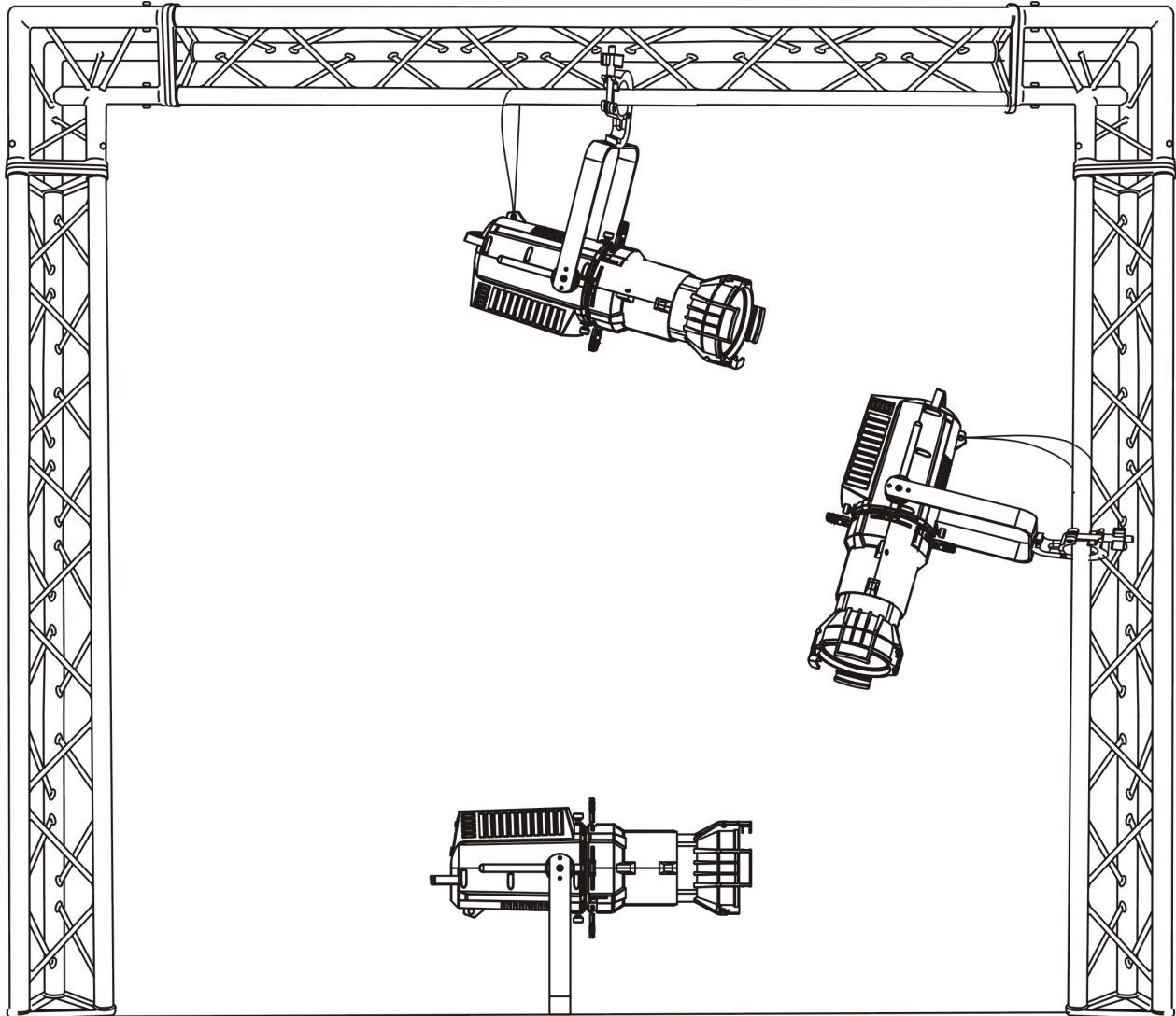


### **CAUTIONS**

- For added protection, mount the fixture in areas outside walking paths, seating areas, or in areas where unauthorized personnel might reach the fixture.
- Ambient operating temperature range for this fixture is **14° to 113°F. (-10° to 45°C)**. Do not use the fixture under or above this temperature.
- Before mounting the fixture to any surface, make sure the installation area can hold a minimum point load of 10 times the weight of the fixture.
- Fixture installation must always be secured with a secondary safety attachment, such as an appropriate safety cable.
- Never stand directly below the device when mounting, removing or servicing.

## MOUNTING POINTS

- Overhead mounting requires extensive experience, including amongst others calculating working load limits, installation material being used, and periodic safety inspection of all installation material and the device. If you lack these qualifications, do not attempt the installation yourself. Improper installation can result in bodily injury.
- Fixture is fully operational in the specific mounting positions as illustrated below.

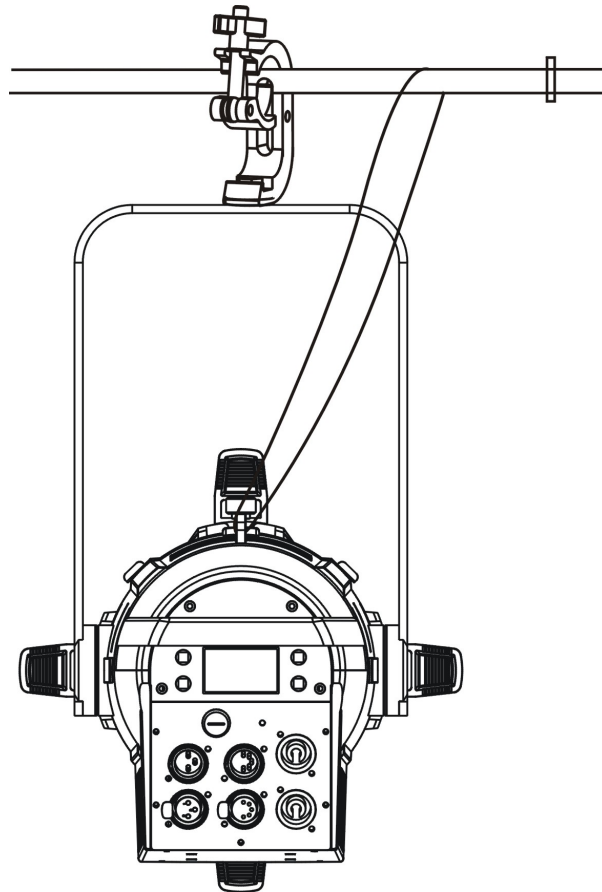


### **SAFETY CABLE**

**ALWAYS USE A SAFETY CABLE WHENEVER INSTALLING THIS FIXTURE IN A SUSPENDED ENVIRONMENT TO ENSURE THE FIXTURE WILL NOT DROP IF THE CLAMP FAILS.**

## CLAMP MOUNTING

This fixture includes an adjustable mounting yoke and safety cable rigging point attached to the fixture (see the illustration below). When mounting this fixture to truss be sure to secure an appropriately rated clamp (not included) to the yoke using an M10 screw fitted through the center hole of the clamp. Be sure to attach the included **Safety Cable** to the fixture using the safety cable rigging point.



## SECURING

Regardless of the rigging option you choose for your fixture always be sure to secure your fixture with a safety cable. The fixture provides a built-in rigging point for a safety cable on the hanging bracket as illustrated above. Be sure to only use the designated rigging point for the safety cable and never secure a safety cable to a carrying handle.

## FIXTURE MENU

### ON-BOARD SYSTEM MENU

The fixture has an easy to navigate system menu. The next section will detail the functions of each command in the system menu.

### LCD MENU CONTROL PANEL

The control panel (see image below) located on the fixture allows you to access the main menu and make all necessary adjustments to the fixture. During normal operation, pressing **MODE/ESC** button once will access the fixture's main menu. Once in the main menu you can navigate through the different functions and access the sub-menus with the **UP** and **DOWN** buttons. Once you reach a field that requires adjusting, press the **ENTER** button to activate that field and use the **UP** and **DOWN** buttons to adjust the field. Pressing the **ENTER** button once more will confirm your setting. You may exit the main menu at any time without making any adjustments by pressing the **MODE/ESC** button.



ELATION© WW PROFILE™ SYSTEM MENU				
Supports Software Versions: ≥1.0.1				
Features are subject to change without any prior written notice.				
MAIN MENU	SUB MENU	OPTIONS / VALUES (Default Settings in <b>BOLD</b> )		DESCRIPTION
FuncMode	Address	<b>001</b> ~509		DMX Address Setting
	ValuDisp	=All Ch, Auto, Red, ReF, Gree, GreF...		DMX Value Display
	SetSlave	Slave1, Slave2, Slave3		Slave Setting
	AutoProg	Master / Alone		Auto Program
Info	TimeInfo	Cur Time	XXXX(Hours)	Power On Running Time
		TotalHrs	XXXX(Hours)	Fixture Running Time
		Last Hrs	XXXX(Hours)	Fixture Last Times Clear
		TimePass	Password=XXX	Timer Password <b>038</b>
		Clr Last	<b>ON/OFF</b>	Clear Fixture Last Time
	TempInfo	HeadTemp	XXX C° / F°	Temperature in Fixture
	Soft Ver	<b>= 1.0.1 (or greater)</b>		Software Version
Persnal	Stat Set	Addr DMX	<b>ON/OFF</b>	Address Via DMX
		NoDMXSta	CloShut/ <b>Hold</b> /Auto	Auto Run If No DMX
	Disp Set	Off Time	02~60m <b>OFF</b>	Display Shut Off Time
		Key Lock	<b>ON/OFF</b>	Key Lock
	Temp C/F	Cels/ <b>Fahren</b>		Temperature Switch Between C° / F°
ResetDef	<b>ON/OFF</b>	Passcode <b>011</b>	Restore factory settings	
ManCntrl	ManCntrl	Warm = Warm=xxx : DIMo = DIMo=xxx		Adjust Functions Manually
Mode Set	UserMode	<b>1CH</b> , 4CH		DMX Channel Modes
Dimming	Dimming	<b>Standar</b> , Stage, TV, Archite, Theatre		Dimming Modes
EditProg	Sel Prog	ProPart1 = Prog 1~10 ( <b>Program 1</b> )		Select Programs To Be Run
		ProPart2 = Prog 1~10 ( <b>Program 2</b> )		
		ProPart3 = Prog 1~10 ( <b>Program 3</b> )		
	EditProg	Prog 1 : Prog 10	ProgTest = T01SCxxx	Testing Program
			EdStep 01 = S01SCxxx	Program In Loop
			EdStep 64 = S64SCxxx	Save and Exit
	EditScen	Scene 001 ~ Scene 250	Cool = Cool=xxx ~ InByOut = Time=xx.xs	Save and Automatically Return Manual Scenes Edit
RecCntrl	XX~XX	Automatic Scenes Recorder		

ELATION© WW PROFILE™ SYSTEM MENU				
Supports Software Versions: ≥1.0.2				
Features are subject to change without any prior written notice.				
MAIN MENU	SUB MENU	OPTIONS / VALUES (Default Settings in <b>BOLD</b> )		DESCRIPTION
FuncMode	Address	<b>001</b> ~509		DMX Address Setting
	ValuDisp	=All Ch, Auto, Red, ReF, Gree, GreF...		DMX Value Display
	SetSlave	Slave1, Slave2, Slave3		Slave Setting
	AutoProg	Master / Alone		Auto Program
Info	TimeInfo	Cur Time	XXXX(Hours)	Power On Running Time
		TotalHrs	XXXX(Hours)	Fixture Running Time
		Last Hrs	XXXX(Hours)	Fixture Last Times Clear
		TimePass	Password=XXX	Timer Password <b>038</b>
		Clr Last	<b>ON/OFF</b>	Clear Fixture Last Time
	TempInfo	HeadTemp	XXX C° / F°	Temperature in Fixture
	Soft Ver	<b>= 1.0.2 (or greater)</b>		Software Version
Persnal	Stat Set	Addr DMX	<b>ON/OFF</b>	Address Via DMX
		NoDMXSta	CloShut/ <b>Hold</b> /Auto	Auto Run If No DMX
	Disp Set	Off Time	02~60m <b>OFF</b>	Display Shut Off Time
		Key Lock	<b>ON/OFF</b>	Key Lock
	Temp C/F	Cels/ <b>Fahren</b>		Temperature Switch Between C° / F°
	Refresh	Fq = 900 - 1500, 25000 ( <b>1200</b> )		Refresh Frequency Rate Setting
	Gamma	Gama = 2.0, <b>2.2</b> , 2.4, 2.8		Gamma Setting
ResetDef	<b>ON/OFF</b>	Passcode <b>011</b>	Restore factory settings	
ManCntrl	ManCntrl	Warm = Warm=xxx : DIMo = DIMo=xxx		Adjust Functions Manually
		Calibrat	Password	Passcode <b>050</b>
			White [ <b>255-0</b> ]	
Mode Set	UserMode	<b>1CH</b> , 4CH		DMX Channel Modes
Dimming	Dimming	<b>Standar</b> , Stage, TV, Archite, Theatre		Dimming Modes
EditProg	Sel Prog	ProPart1 = Prog 1~10 ( <b>Program 1</b> )		Select Programs To Be Run
		ProPart2 = Prog 1~10 ( <b>Program 2</b> )		
		ProPart3 = Prog 1~10 ( <b>Program 3</b> )		
	EditProg	Prog 1 : Prog 10	ProgTest = T01SCxxx	Testing Program
			EdStep 01 = S01SCxxx	Program In Loop
			EdStep 64 = S64SCxxx	Save and Exit
	EditScen	Scene 001 ~ Scene 250	Cool = Cool=xxx ~ InByOut = Time=xx.xs	Save and Automatically Return Manual Scenes Edit
RecCntrl	XX~XX	Automatic Scenes Recorder		



**FuncMode - Address**

Define desired DMX address via the Control Panel.

**FuncMode - ValuDisp**

Display DMX 512 value of each channel.

**FuncMode - SetSlave**

Define fixture slave mode (**Slave1, Slave2, Slave3**).

**FuncMode - AutoProg**

Define fixture mode (**Master or Alone**) for running Auto Programs. Select desired internal programs under “**Select Program**”, set the number of steps under “**Edit Program**”, and edit individual scenes under “**Edit Scenes**”.

**Info - TimeInfo - Cur Time**

Displays fixture run time from last power ON.

The counter is reset after each time the fixture is powered OFF.

**Info - TimeInfo - TotalHrs**

Displays fixture total run time.

**Info - TimeInfo - Last Hrs**

Displays fixture run time for a given period of time (i.e. rental period).

This counter can be reset.

**Info - TimeInfo - TimePass**

Displays timer passcode. (**038**)

**Info - TimeInfo - Clr Last**

Clear fixture last run time.

Time can only be cleared after the timer password is entered.

**Info - TempInfo - HeadTemp**

Displays temperature of the fixture.

**Info - Soft Ver**

Displays software version of the fixture.

### **Persnal - Stat Set - Addr DMX**

When ON, define the desired DMX address via an external controller.

1. Connect the fixture to the external controller and power ON.
2. Set the DMX value of **Channel 1** on the controller to **(7)**.
3. Set the DMX value of **Channel 2** on the controller to **(7)** or **(8)**.  
When set to **(7)**, the DMX address can be set between **(1)** and **(255)**.  
When set to **(8)**, the DMX address can be set between **(256)** and **(511)**.
4. Using **Channel 3** on the controller set the desired DMX address of the fixture.

#### **Example 1:**

If the desired DMX address is **57**, set **Channel 1** to a value of **(7)**, set **Channel 2** to a value of **(7)**, and then set **Channel 3** to a value of **(57)**.

#### **Example 2:**

If the desired DMX address is **420**, set **Channel 1** to a value of **(7)**, set **Channel 2** to a value of **(8)**, and then set **Channel 3** to a value of **(164)**. ( $256+164=420$ )

5. After setting **Channel 3** to the desired DMX address value, wait for approximately 20 seconds for the fixture to complete the address reset function.

Define desired DMX address via an external controller.

### **Persnal - Stat Set - NoDMXSta**

Define how fixture operates if NO DMX signal is detected.

### **Persnal - Disp Set – Off Time**

Define how many minutes before the LCD Menu display will automatically shut OFF.

### **Persnal - Disp Set – Key Lock**

When ON, Control Panel buttons lock automatically after exiting main menu for 15 seconds. To unlock, keep **MODE/ESC** button pressed for 3 seconds.

### **Persnal – Temp C/F**

Define how fixture displays internal temperature (Celsius or Fahrenheit).

### **Persnal – ResetDef**

When ON, all factory settings are restored.

### **ManCntrl – ManCntrl**

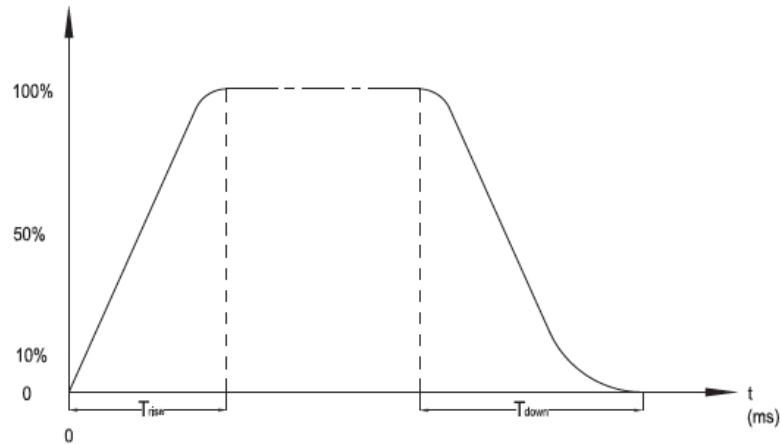
Adjust functions manually.

**Mode Set – UserMode**

Select DMX channel modes.

**Dimming – DimModes**

Select dimming modes (Standar, Stage, TV, Archite, Theatre).



Ramp Effect	OS (Fade Time)		1S (Fade Time)	
	$T_{rise}$ (ms)	$T_{down}$ (ms)	$T_{rise}$ (ms)	$T_{down}$ (ms)
Standard	0	0	0	0
Stage	780	1100	1540	1660
TV	1180	1520	1860	1940
Architectural	1380	1730	2040	2120
Theatre	1580	1940	2230	2280

**EditProg – Sel Prog**

Select one of the (10) user defined internal Auto Programs.

**EditProg – EditProg**

Edit any of the (10) user defined internal Auto Programs.

**EditProg – EditScen**

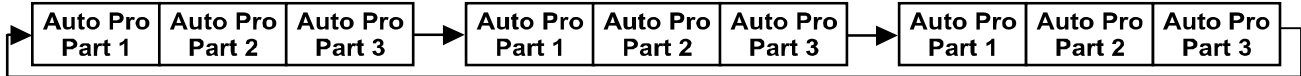
Edit any of the (250) scenes of the internal Auto Programs.

**EditProg – RecCntrl**

The fixture features an integrated DMX-recorder by which you can transmit the programmed scenes from your DMX-controller to the moving head. Adjust the desired scene numbers via the encoder (from – to). When you call up the scenes at your controller, they will automatically be transmitted to the moving head.

## **EditProg – RecCntrl – Working With Built In Programs**

A Master unit can send up to 3 different data groups to the Slave units, i.e. a Master unit can start 3 different Slave units, which run 3 different programs. The Master unit sends the 3 program parts in a continuous loop.



The Slave unit receives data from the Master unit according to the group which the Slave unit was assigned to. If e.g. a Slave unit is set to “**Slave1**” in the menu “**SetSlave**”, the Master unit sends “**ProPart 1**” to the Slave unit. If set to “**Slave2**”, the Slave unit receives “**ProPart 2**”.

## **EditProg – RecCntrl – Working With Built-In Program [continued]**

To start an Auto Program proceed as follows:

### **1. Slave Setting**

- Select “**FuncMode**”.
- Press **ENTER** to confirm.
- Select “**SetSlave**”.
- Press **ENTER** to confirm.
- Select “**Slave1**”, “**Slave2**” or “**Slave3**”.
- Press **ENTER** to confirm.
- Press **MODE/ESC** in order to return to the main menu.

### **2. Automatic Program Run**

- Select “**FuncMode**”.
- Press **ENTER** to confirm.
- Select “**AutoProg**”.
- Press **ENTER** to confirm.
- Select “**Master**” or “**Alone**”.
- Press **ENTER** to confirm.
- Press **MODE/ESC** in order to return to the main menu.

## **EditProg – RecCntrl – Working With Built-In Program [continued]**

### **3. Program Selection for Automatic Program Run**

- Select **“EditProg”**.
- Press **ENTER** to confirm.
- Select **“Sel Prog ”**.
- Press **ENTER** to confirm.
- Select **“ProPart 1”**, **“ProPart 2”** or **“ProPart 3”**, and select which Slave program is to be sent. Selection **“Part 1”** means, the Slave unit runs the same program as the master units.
- Press **ENTER** to confirm.
- Press **MODE/ESC** in order to return to the main menu.

### **4. Program Selection for Edit Program**

- Select **“EditProg”**.
- Press **ENTER** to confirm.
- Select **“EditProg”**.
- Press **ENTER** to confirm.
- Select the desired program to edit specific scenes into a specific program.
- Press **ENTER** to confirm.
- Press **MODE/ESC** in order to return to the main menu.

### **5. Automatic Scene Recording**

- Select **“EditProg”**.
- Press **ENTER** to confirm.
- Select **“EditScen”**.
- Select desired scene numbers. A maximum of 250 scenes can be programmed.
- Press **ENTER** to confirm.
- Press **MODE/ESC** in order to return to the main menu.

## **EditProg – RecCntrl – Working With Built-In Program [continued]**

### **Example:**

Program 2 includes scenes: 10, 11, 12, & 13

Program 4 includes scenes: 8, 9, & 10

Program 6 includes scenes: 12, 13, 14, & 15

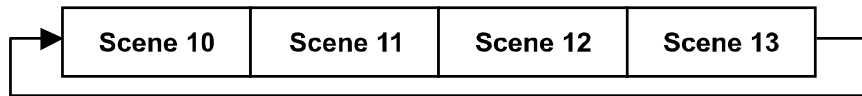
Auto Pro Part 1 is Program 2

Auto Pro Part 2 is Program 3

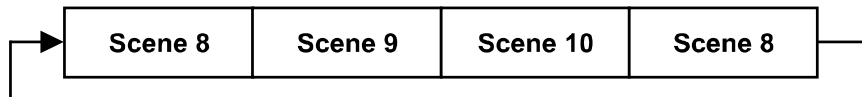
Auto Pro Part 3 is Program 6

The 3 Slave groups run the Auto Program in certain time segments, as shown in the following picture:

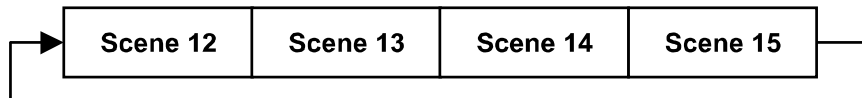
#### **Part 1:**



#### **Part 2:**



#### **Part 3:**



# DMX CHANNEL FUNCTIONS AND VALUES

ELATION® WW PROFILE™		
DMX Channel Values / Functions (4 DMX Channels)		
Specifications are subject to change without any prior written notice.		
MODE / CHANNEL		FUNCTION
1CH	4CH	
1	1	DIMMER
		0-255 Intensity 0 to 100%
	2	DIMMER FINE
		0-255 FINE Intensity 0 to 100%
	3	STROBE
		0-31 LED OFF
		32-63 LED ON
		64-95 Strobe Effect SLOW to FAST
		96-127 LED ON
		128-159 Pulse Effect In Sequences
		160-191 LED ON
		192-223 Random Strobe Effect SLOW to FAST
224-255 LED ON		
	4	DIMMING CURVES
		0-20 STANDARD
		21-40 STAGE
		41-60 TV
		61-80 ARCHITECTURAL
		81-100 THEATRE
		101-255 Default to Unit Dimming Curve Setting

## CLEANING AND MAINTENANCE



**C A U T I O N**

**Disconnect power before cleaning or maintenance.**

### CLEANING

Frequent cleaning is recommended to insure proper function, optimized light output, and an extended life. The frequency of cleaning depends on the environment in which the fixture operates: damp, smoky or particularly dirty environments can cause greater accumulation of dirt on the fixture's optics.

- Clean the external lens surface at least every 20 days with a soft cloth to avoid dirt/debris accumulation.
- Never use alcohol, solvents, or ammonia based cleaners.

### MAINTENANCE

Regular inspections are recommended to insure proper function and extended life. There are no user serviceable parts inside this fixture, please refer all other service issues to an authorized Elation service technician. Should you need any spare parts, please order genuine parts from your local Elation dealer.

Please refer to the following points during routine inspections:

- A detailed electric check by an approved electrical engineer every three months, to make sure the circuit contacts are in good condition and prevent overheating.
- Be sure all screws and fasteners are securely tightened at all times. Loose screws may fall out during normal operation resulting in damage or injury as larger parts could fall.
- Check for any deformations on the housing, color lenses, rigging hardware and rigging points (ceiling, suspension, trussing). Deformations in the housing could allow for dust to enter into the fixture. Damaged rigging points or unsecured rigging could cause the fixture to fall and seriously injure a person(s).
- Electric power supply cables must not show any damage, material fatigue or sediments. Never remove the ground prong from the power cable.



## TECHNICAL SPECIFICATIONS

### SOURCE

130W Warm White 3,000K LED Engine

50,000 Hour Average LED Life\*

\*May vary depending on several factors including but not limited to:  
Environmental Conditions, Power/Voltage, Usage Patterns (On-Off Cycling), Control, and Dimming.

### EFFECTS

Electronic Strobe and Dimming

Variable Dimming Curve Modes

### GOBOS

Supports "B" Size Metal, HT Transparency Gobos\*

\*Gobos and Holder not included.

### CONTROL / CONNECTIONS

2 DMX Channel Modes (1 / 4)

Adjustable Refresh Rate (900-1500, 25,000 Hz)

Adjustable Gamma Brightness (2.0, 2.2, 2.4, 2.8)

4 Button Control Panel / LED Menu Display

3/5pin DMX In/Out / powerCON In/Out

### SIZE / WEIGHT

Length: 24.3" (618mm)

Width: 12.2" (310mm)

Vertical Height: 15.7" (398mm)

Weight: 21.0 lbs. (9.5 kg)

### ELECTRICAL / THERMAL

AC 100-240V - 50/60Hz

160W Max Power Consumption

14° to 113°F (-10° to 45°C)

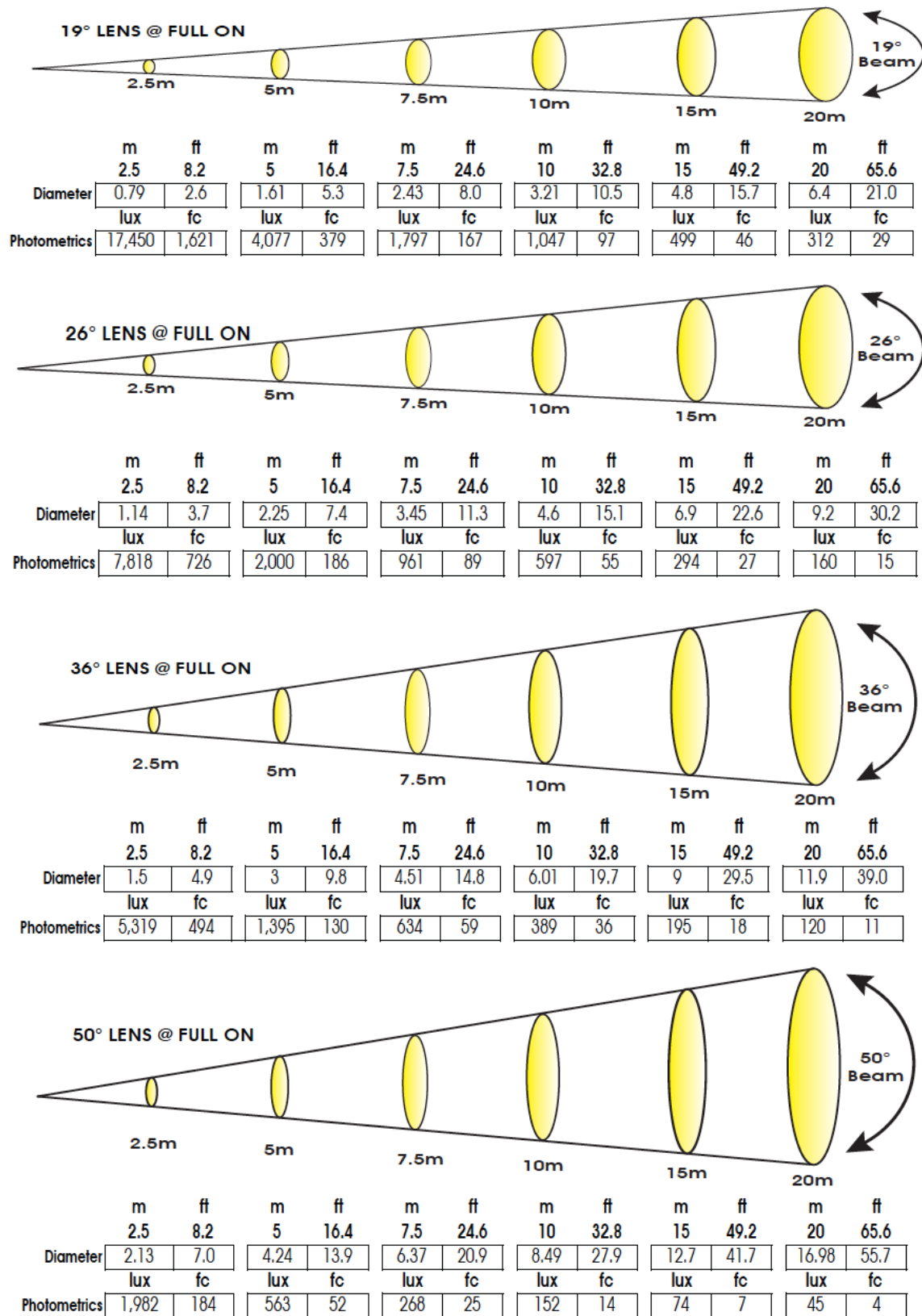
### APPROVALS / RATINGS

CE | cETLus | IP20



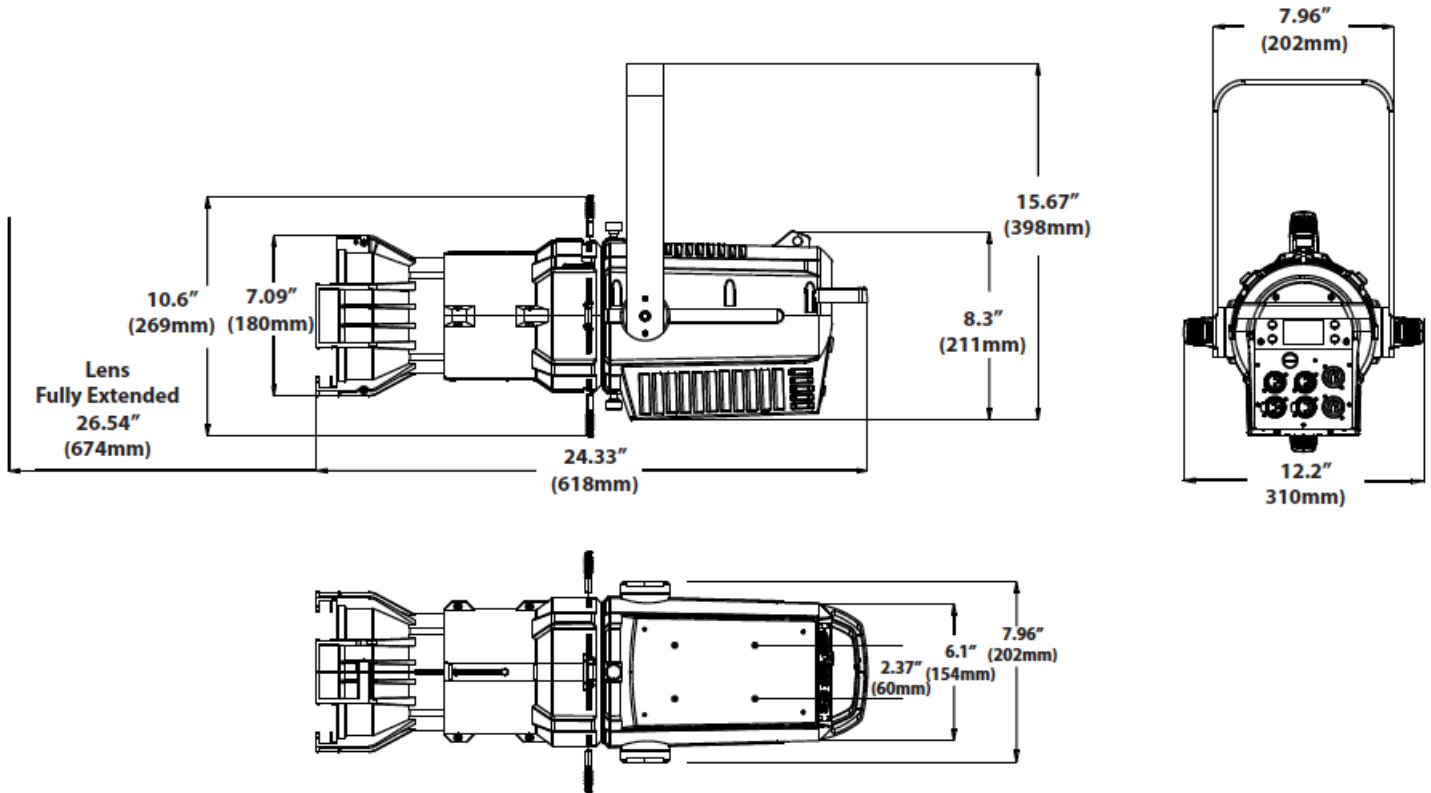
Please Note: Specifications and improvements in the design of this unit and this manual are subject to change without any prior written notice.

## PHOTOMETRIC DATA



Please Note: Specifications and improvements in the design of this unit and this manual are subject to change without any prior written notice.

## DIMENSIONAL DRAWINGS



Please Note: Specifications and improvements in the design of this unit and this manual are subject to change without any prior written notice.

## OPTIONAL ACCESSORIES

ORDER CODE	ITEM
TRIGGER CLAMP	Heavy Duty Wrap Around Hook Style Clamp
PHD019	Profile High Definition Lens 19°
PHD126	Profile High Definition Lens 26°
PHD236	Profile High Definition Lens 36°
PHD350	Profile High Definition Lens 50°
PLC3	3' (1m) powerCON PRO Link Cable
AC3PDMX5PRO	5 ft. (1.5m) 3pin PRO DMX Cable
AC5PDMX5PRO	5 ft. (1.5m) 5pin PRO DMX Cable
	Additional Cable Lengths Available

