



SATURA PROFILE™

SKU# **SAT601**

The Satura Profile™ features a new 440W LED Cool White LED engine, delivering a total of 20,000 lumens, 11° to 38° zoom, full CMY color mixing and CTO, 7 dichroic colors, 6 rotating glass and 7 static-stamped metal interchangeable gobos, 4-blade framing shutter system, 3-facet rotating prism, frost filter, motorized iris and focus, variable dimming curves, high speed electronic shutter and strobe, hibernation mode, DMX, RDM (Remote Device Management), KlingNET™ and Art-NET support, 5pin XLR, and RJ45 ethernet in/out connections, powerCON in, full color 180° reversible menu display with 6 button touch control panel, battery backup for display power, flicker free operation for TV and FILM, and a multi-voltage universal auto switching power supply (100-240v).



FEATURES

- 440W Cool White 20,000 Lumen LED Spot Luminaire**
- 11° to 38° Motorized Zoom**
- Full CMY Color Mixing and CTO**
- 7 Dichroic Colors**
- 6 Rotating and 7 Static-Stamped Interchangeable Gobos**
- 4-Blade Framing Shutter System**
- 3-Facet Rotating Prism and Frost Filter**
- High Speed Electronic Shutter and Strobe**
- Motorized Iris and Focus and Variable Dimming Curves**
- DMX, RDM, KlingNET™ and Art-NET Support**
- Low Heat, Quiet Operation, Hibernation Mode**
- Flicker Free Operation For Broadcast TV and FILM**



PRODUCT SPECIFICATIONS

SOURCE

440W Cool White 20,000 Lumen LED Engine
50,000 Hour Average LED Life*

*LED Life may vary depending on several factors including but not limited to: Environmental Conditions, Power/Voltage, Usage Patterns (On-Off Cycling), Control and Dimming.

PHOTOMETRIC DATA

48,160 LUX 4,474 FC @8.2' (2.5m) (12° Full ON)
6,100 LUX 567 FC @8.2' (2.5m) (38° Full ON)

EFFECTS

11° - 38° Motorized Zoom
4-Blade Framing Shutter System
3-Facet Rotating Prism and Prism Macros
Frost Filter Hybrid Wash Effect
Motorized Zoom, Iris and Focus
High Speed Electronic Shutter and Strobe
Variable Dimming Curves

COLOR

7 Dichroic Colors
Full CMY Color Mixing
Linear CTO Color Correction

GOBOS

(6) Interchangeable Rotating / Indexing Glass Gobos
(7) Interchangeable Static-Stamped Metal Gobos

CONTROL / CONNECTIONS

(3) DMX Channel Modes (33 / 35 / 54)
RDM (Remote Device Management)
6 Button Touch Control Panel
Full Color 180° Reversible LCD Menu Display
8 / 16 Bit Resolution Adjustable Movement
3pin and 5pin DMX In/Out
RJ45 Ethernet In/Out (KlingNET™ / Art-NET)
powerCON Power In

SIZE / WEIGHT

Length: 17.7" (450mm)
Width: 20.7" (525mm)
Vertical Height: 29.3" (745mm)
Weight: 75.0 lbs. (34.0kg)

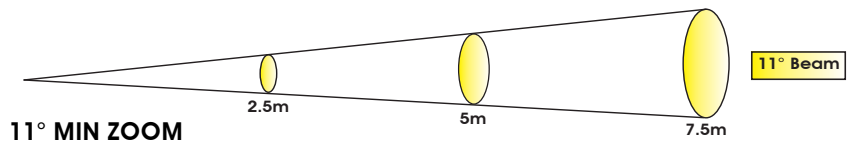
ELECTRICAL / THERMAL

AC 100-240V - 50/60Hz
650W Max Power Consumption
14°F to 113°F (-10°C to 45°C)

APPROVALS / RATINGS

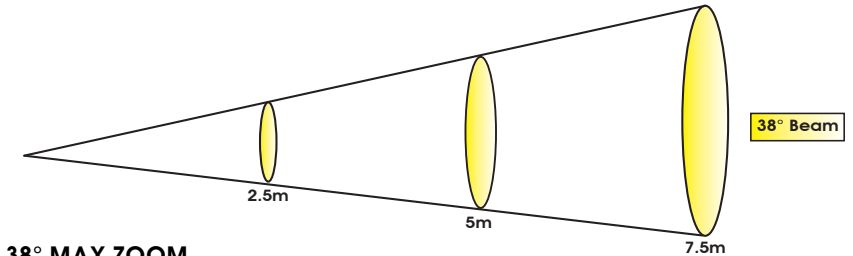


PHOTOMETRIC DATA



11° MIN ZOOM

Distance	2.5m	8.2 ft	5m	16.4 ft	7.5m	24.6 ft
Diameter	0.5	1.6	1.02	3.3	1.52	5.0
Photometrics	lux	fc	lux	fc	lux	fc
FULL ON	48,160	4,474	11,200	1,040	5,584	519



38° MAX ZOOM

Distance	2.5m	8.2 ft	5m	16.4 ft	7.5m	24.6 ft
Diameter	1.72	5.6	3.45	11.3	5.2	17.1
Photometrics	lux	fc	lux	fc	lux	fc
FULL ON	6,100	567	5,854	544	3,510	326

COLORS AND GOBOS

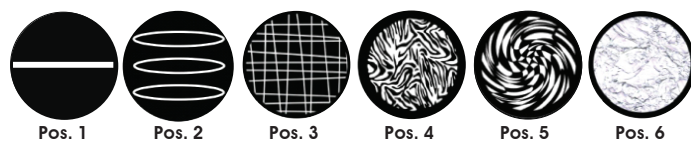
COLOR FLAGS



COLOR WHEEL



INTERCHANGEABLE-ROTATING GOBO WHEEL 1 -



INTERCHANGEABLE STATIC-FIXED GOBO WHEEL 2 -



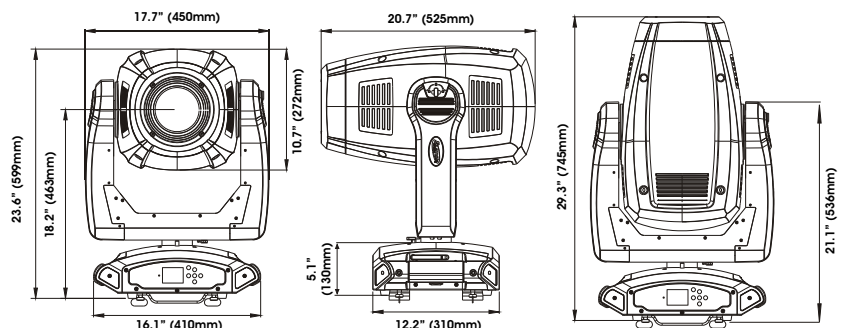
****IMPORTANT NOTICE REGARDING GOBO DIMENSIONS AND CUSTOM GOBOS**

OD = Outside Diameter | ID = Image Diameter
Due to varying manufacturing processes, it is highly recommended to provide a gobo and holder sample from the fixture to 3rd party custom gobo vendors for accurate sizing.

OPTIONAL ACCESSORIES

ORDER CODE	ITEM
TRIGGER CLAMP	Heavy Duty Wrap Around Hook Style Clamp
*** pending ***	Road Case For Satura Profile™
EWDMXSYSTEM	Wireless DMX System (1 Transmitter, 1 Receiver)
AC3PDMX5PRO	5 ft. (1.5m) 3pin PRO DMX Cable
AC5PDMX5PRO	5 ft. (1.5m) 5pin PRO DMX Cable
CAT6PRO5	5' (1.5m) CAT6 EtherCON Cable
	Additional cable lengths available

DIMENSIONAL DIAGRAMS



Specifications are subject to change without notice ©Elation Professional 10/12/15

