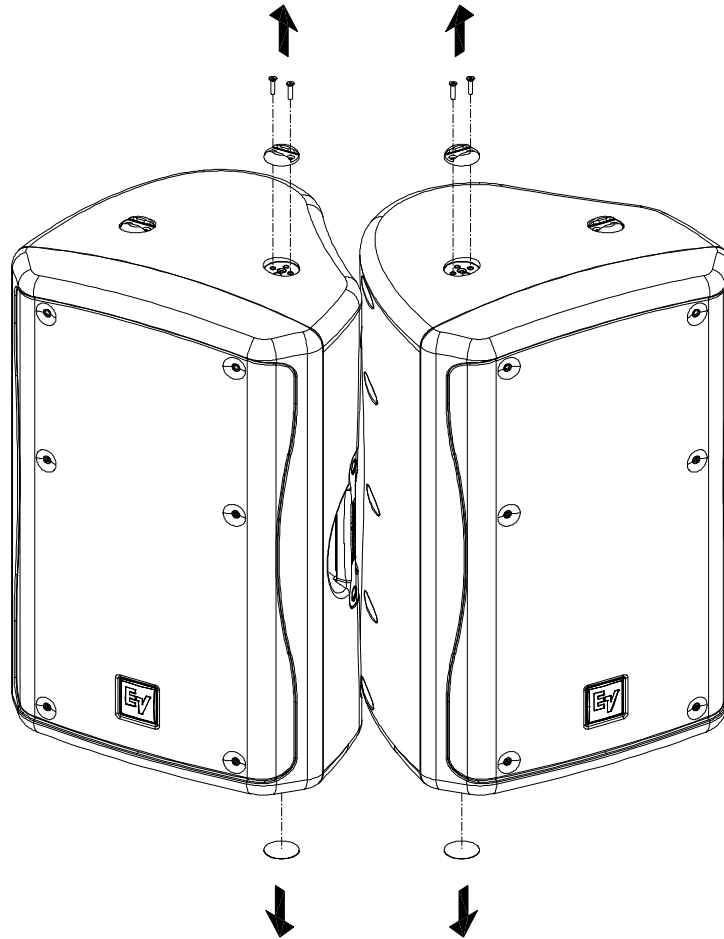


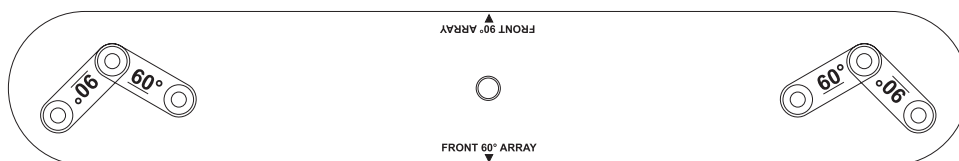
## CB5 Array Rigging Kit

The CB5 Array Rigging Kit features array brackets and hardware that allow you to array any Zx5 system. Its assembly is quick and easy with the hardware already provided on your Zx5 Loudspeaker.



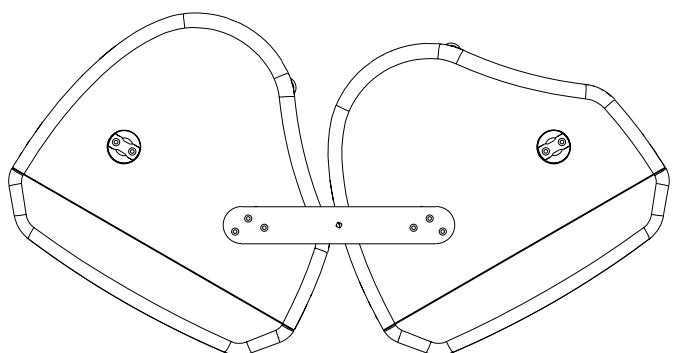
### Step 1: Remove Single-Stud Fittings/Decals

Remove original Single-Stud Fittings by removing the four screws shown. Remove the Bottom Decals with the use of a flat-head screwdriver.

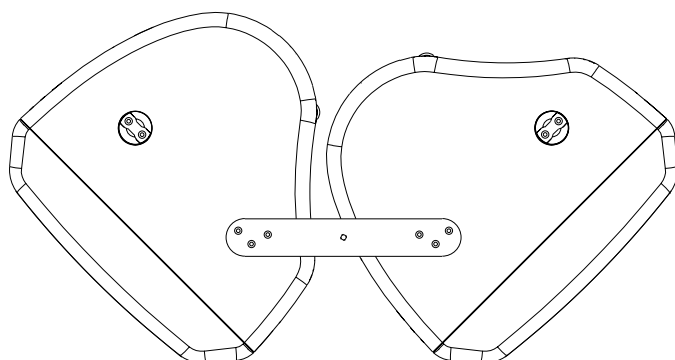


### Step 2: Identify Array Angle Desired

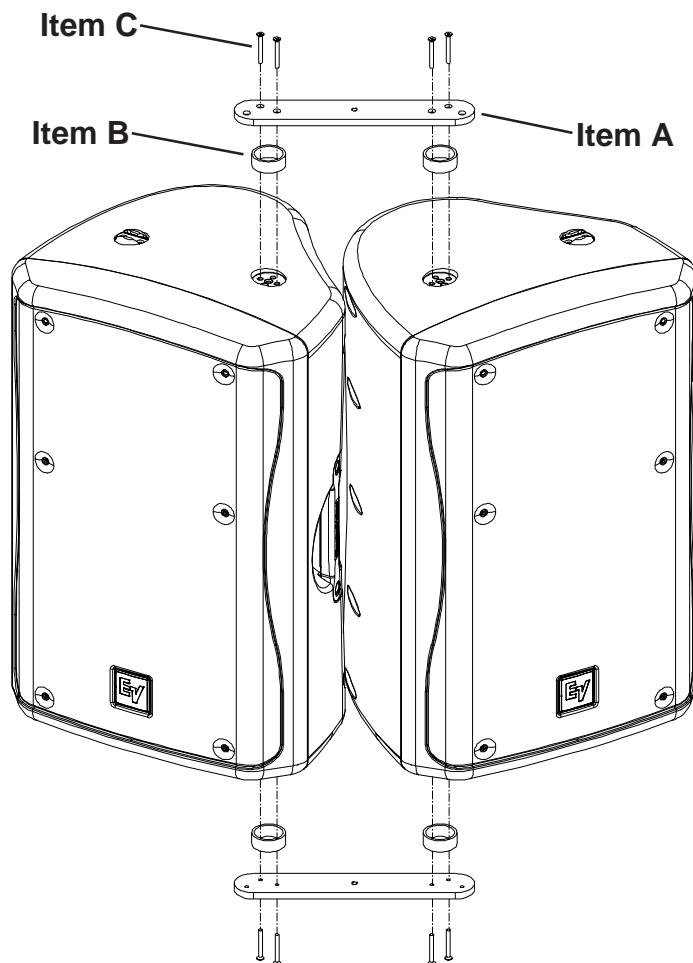
Using the identification on the top of the Array Brackets, orient the Bracket (Item A) to achieve the desired array angle. Eg. For a 60° splay, rotate the bracket so that the "FRONT 60° ARRAY" points towards the front of the ZX5 array.



60° Splay



90° Splay



### Step 3: Attach Array Brackets

Using the four spacers (Item B) supplied, attach array brackets (Item A) to the speakers by sliding the eight screws (Item C) through the holes circled and labeled the desired array angle. Attach the included eyebolt (Item D) to the bottom bracket for a 2-speaker array pull-up point. Please consult the system manual for other array configurations.

### CB5 Array Rigging Kit Includes

Item	Description	Qty.
A	Array Bracket	2
B	Spacer	4
C	Screw, 10-32 x 1-3/4", Flat Head	8
D	Eyebolt, M8	1



**WARNING:** Suspending any object is potentially dangerous and should only be attempted by individuals who have a thorough knowledge of the techniques and regulations of rigging objects overhead. Electro-Voice® strongly recommends that Zx5 speakers be suspended taking into account all current national, federal, state and local regulations. It is the responsibility of the installer to ensure that Zx5 speakers are safely installed in accordance with all such regulations. If Zx5 speakers are suspended, Electro-Voice® strongly recommends that the system be inspected at least once a year. If any sign of weakness or damage is detected, remedial action should be taken immediately. Please consult the Zx5 owner's manual, which details the various hardware kits that are available to safely suspend Zx5 speakers and how each kit should be used.



**MAKE SURE THAT THE SCREWS ARE SECURELY FASTENED TO EACH SPEAKER BEFORE SUSPENDING. ELECTRO-VOICE STRONGLY RECOMMENDS THE USE OF NON-PERMANENT THREADLOCK ON ALL SCREW THREADS TO ASSURE SCREWS WON'T BACK OUT DURING SPEAKER OPERATION DUE TO VIBRATION.**

**EV Electro-Voice®**

12000 Portland Avenue South, Burnsville, MN 55337  
Phone: 952/884-4051, Fax: 952/884-0043

[www.electrovoice.com](http://www.electrovoice.com)

© Telex Communications, Inc. 8/2004

Part Number 38110-374 Rev A

U.S.A. and Canada only. For customer orders, contact the Customer Service department at **800/392-3497 Fax: 800/955-6831**  
Europe, Africa and Middle East only. For customer orders, contact the Customer Service department at **49 9421-706 0 Fax: 49 9421-706 265**  
For warranty information, contact the Service Repair department at: **616/695-6831 or 800/685-2606**  
For technical assistance, contact Technical Support at: **866/78AUDIO**  
*Specifications subject to change without notice.*