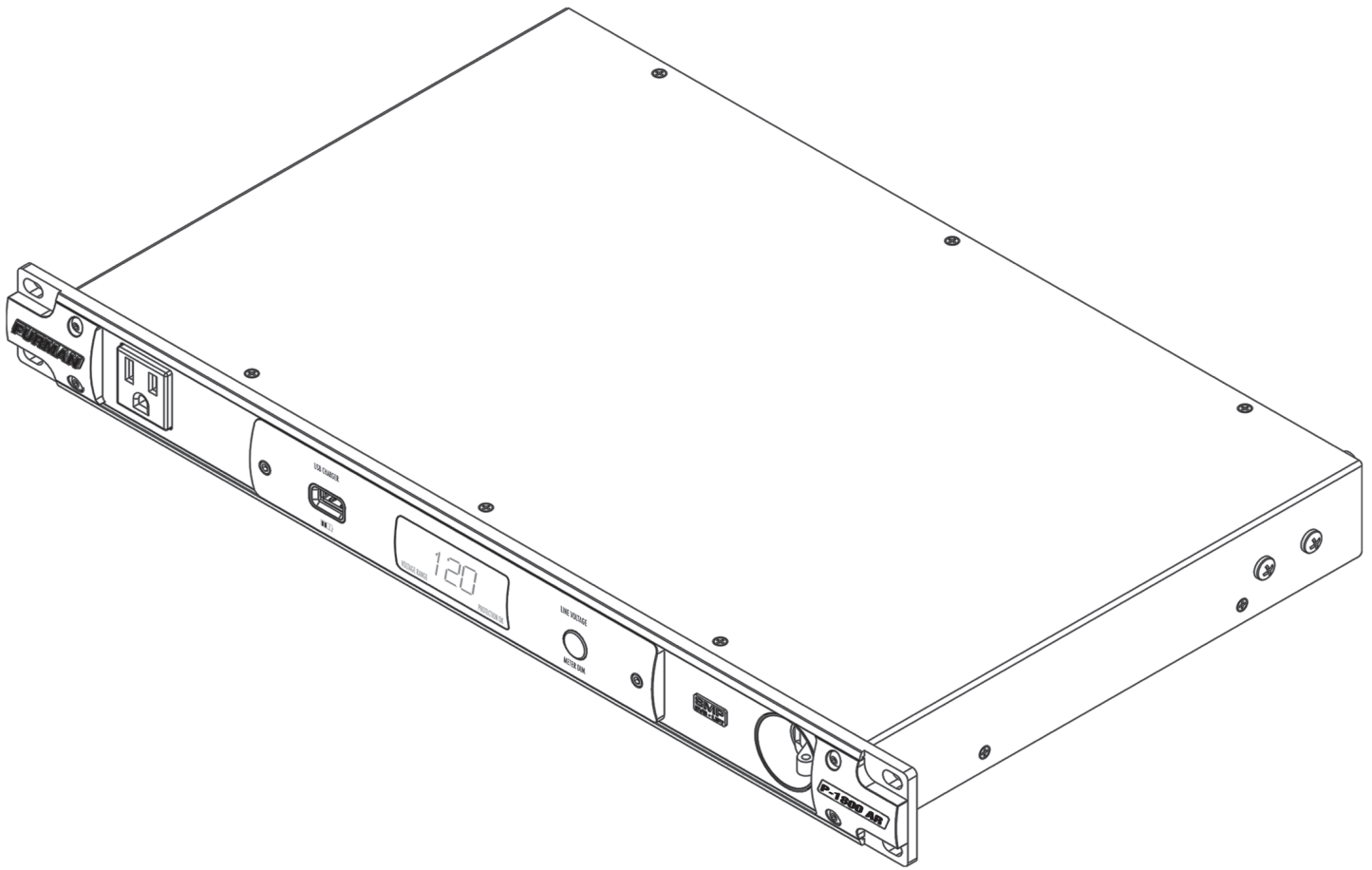


FURMAN[®]

P-1800 AR POWER CONDITIONER

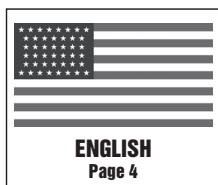
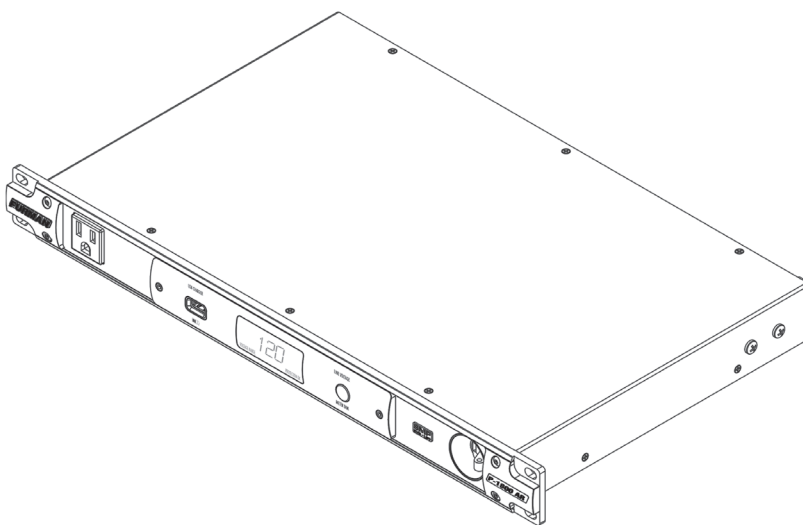
CONDITIONNEUR D'ALIMENTATION P-1800 AR / P-1800 AR ACONDICIONADOR DE ENERGÍA



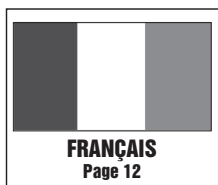
PRESTIGE SERIES OWNER'S MANUAL

SÉRIE PRESTIGE GUIDE DE L'UTILISATEUR / SERIE PRESTIGE MANUAL DEL PROPIETARIO

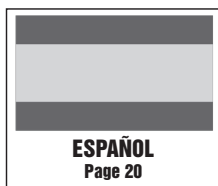
FURMAN®



P-1800 AR OWNER'S MANUAL



P-1800 AR GUIDE DE L'UTILISATEUR



P-1800 AR MANUAL DEL PROPIETARIO

FURMAN P-1800 AR FEATURES

- **True RMS Voltage Regulation** - A 15 amp ultra-low noise toroidal autoformer with microprocessor control
- **SMP** (Series Multi-Stage Protection) with **EVS** (Extreme Voltage Shutdown)
- **LiFT** (Linear Filtering Technology) with zero ground contamination
- Nine total regulated, filtered and protected AC outlets (three with “wall wart” spacing and Furman Secure Straps to hold bulky transformers in place)
- Very low stray magnetic field leakage
- Dimmable/Switchable true RMS digital ammeter and laboratory precise voltmeter
- Tri-color voltage range indicator (complements numerical voltage reading - even when viewed at a distance from the display)
- Front panel USB connector charges most portable media devices and cell phones
- BNC connector on the rear panel allows you to attach any standard (12VAC 0.5 amp) gooseneck lamp to illuminate the rear of your rack (Furman GN-I and GN-LED accessory gooseneck lamps (sold separately) are recommended for this application)
- 15 amp (1800 watt) current capacity; output capacity 12 to 15 amps
- Robust 14awg. 10 foot AC cord
- Five year limited warranty

INTRODUCTION

Thank you for purchasing a Furman Prestige Series Voltage Regulator/Power Conditioner, and congratulations on your choice. The Prestige Series P-1800 AR features Furman's True RMS Auto Regulation, Series Multi-Stage Protection (SMP) circuit, and our exclusive Linear Filtering Technology (LiFT). Together, these technologies comprise precisely what our customers have grown to expect from Furman: uncompromised protection and purification. The P-1800 AR has been precisely engineered to more than meet the critical demands of recording studios, broadcast facilities, and discerning musicians alike.

The Furman P-1800 AR is intended to protect sensitive electronic equipment from problems caused by AC line voltage irregularities—brownouts or over-voltages that can cause audio tonal changes, digital equipment malfunction (such as loss of MIDI programs or other data), or, in extreme cases, permanent damage. It accepts input voltages over a wide AC voltage range and converts them to a steady, stable output of 120V, plus or minus five volts. Voltages approximately $\pm 10\%$ beyond that range may be converted to usable levels, depending on the requirements of the equipment. This stable voltage protects equipment and allows optimal performance. If you frequently move your rack to different locations, derive power from generators, use excessively long extension cords, travel internationally, or are in an area prone to brownouts, you will benefit from the use of a Furman P-1800 AR.

DESCRIPTION

True RMS Voltage Regulation Technology

True RMS Voltage Regulation is designed around an ultra-low noise eight-tap toroidal autoformer. A microprocessor within the P-1800 AR monitors the incoming RMS voltage with each cycle, measuring the phase angle in time with the advancing cycle. Most commercial voltage regulators using multiple-tapped transformers switch taps at uncontrolled times. This creates voltage spikes and clicks that can leak into audio. When a voltage fluctuation requires correction by the P-1800 AR, True RMS Voltage Regulation advances a new tap with less stress and in turn avoids distortion to the AC waveform. Hysteresis in the P-1800 AR circuits avoids the unnecessary switching back and forth between the adjacent taps (or “chatter”) found in many commercial voltage regulators. If necessary, True RMS Voltage Regulation technology can switch taps as often as once each cycle and do so with a shorter recovery time than a commercial voltage regulator. In addition and unlike voltage regulators that employ ferroresonant transformers, the P-1800 AR is not sensitive to small errors in line frequency, making it ideal for use with generators.

The P-1800 AR has eight outlets on the rear panel and one convenience outlet on the front panel. All are functionally interchangeable. The outlets are regulated, surge-suppressed, and linearly filtered, making the unit a full-function power conditioner. The autoformer's toroidal design assures minimal leakage of stray magnetic fields.

Note: *P-1800 AR is for use with AC voltage only. DC voltages should never be applied. Also, it does not change or regulate line frequency. The output frequency will always be the same as the incoming frequency.*

SMP (Series Multi-Stage Protection) with EVS (Extreme Voltage Shutdown)

Furman's SMP (Series Multi-Stage Protection) surge suppression virtually eliminates service calls and costly “down time”. Traditional surge suppression circuits sacrifice themselves when exposed to multiple transient voltage spikes, requiring the dismantling of your system, and repair of your surge suppressor. Not so with Furman's SMP. With SMP, damaging transient voltages are safely absorbed, clamped, and dissipated. Your connected equipment is protected, while your P-1800 AR protects itself!

Unique to Furman's SMP is its unparalleled clamping voltage. While other designs offer clamping voltages that are well above 330 Vpk, Furman's SMP clamps at 188 Vpk, (133 VAC RMS) even when tested with multiple 6000 Vpk - 3000 amp surges! This unprecedented level of protection is only available with Furman's SMP technology. Additionally, Furman's trusted EVS (Extreme Voltage Shutdown) circuitry protects against catastrophic overvoltage conditions (such as all-too-frequent accidental connections to 208 or 240 VAC or an intermittent neutral) by shutting off the incoming power until the overvoltage condition is corrected and the power switch is reset.

LiFT (Linear Filtering Technology)

Furman's Linear Filtering Technology (LiFT) reduces AC line noise in an even, linear manner across a very wide bandwidth, resulting in a lower noise floor. Traditional AC filter - conditioners have been designed for unrealistic laboratory conditions - whether multiple pole filters or conventional series mode, prior technologies could actually harm audio and video performance more than they help, due to the resonant peaking of their antiquated, non-linear designs. Under certain conditions, these designs can actually add more than 10 dB of noise to the incoming AC line! Worse still, lost digital data, the need to re-boot digital pre-sets, or destroyed digital converters are frequently caused by excessive voltage spikes and AC noise contaminating the equipment ground. Furman's LiFT takes a different approach, ensuring optimal performance through linear filtering with no contamination, or leakage, to ground.

Additional Features

Additionally, the P-1800 AR offers a laboratory precision dual function digital meter that displays incoming voltage in 1-volt steps and performs as a RMS ammeter measuring current to the tenth of an amp. The voltmeter's accuracy is ± 1.5 volts and features a tri-color voltage range indicator. This informs the user whether voltage is in or out of a safe range. The ammeter accurately measures current draw for an instant analysis of system requirements.

The P-1800 AR is equipped with nine regulated outlets; a front panel convenience AC outlet and eight rear panel outlets. Three of the rear panel outlets are spaced to accommodate transformer plugs (wall warts) and feature Velcro™ "Secure Strap" tie loops to secure these plugs in place. All rear panel outlet banks are electrically isolated from each other to minimize cross-talk between components.

The P-1800 AR's 15 amp capacity is supplied from a robust 14awg, 10 foot AC cord. A rear mounted BNC jack accepts any standard (12VAC 0.5 amp) gooseneck lamp for rear rack illumination.

SAFETY INFORMATION

To obtain best results from your Furman P-1800 AR, please read this manual carefully before using.

WARNING

To reduce the risk of electrical shock, do not expose this equipment to rain or moisture. Dangerous high voltages are present inside the enclosure. Do not remove the cover. Refer servicing to qualified personnel only. The lightning flash with an arrowhead symbol is intended to alert the user to the presence of un-insulated dangerous voltage within the product's enclosure that may be of sufficient magnitude to constitute a risk of electric shock!

IMPORTANT SAFETY INSTRUCTIONS

(Please read prior to installation)

1. Please read and observe all safety and operating instructions before installing your P-1800 AR. Retain these instructions for future reference.
2. Your P-1800 AR should not be used near water – for example, near a bathtub, washbowl, kitchen sink, laundry tub, in a wet basement, or near a swimming pool.
3. Do not place your P-1800 AR near high heat sources such as radiators, heat registers, stoves, or other appliances that produce extreme heat.
4. Your P-1800 AR should only be connected to a 120 VAC, 60Hz, grounded electrical outlet. Do not defeat the ground or change polarization of the power plug.
5. Route the AC power cord and other cables so that they are not likely to be walked on, tripped over, or stressed. Pay particular attention to the condition of the cords and cables at the plugs, and the point where they exit your Furman conditioner. To prevent risk of fire or injury, damaged cords and cables should be replaced immediately.

6. Clean your P-1800 AR with a damp cloth only. Do not use solvents or abrasive cleaners. Never pour liquid on or into the unit.
7. Your P-1800 AR should be serviced by qualified service personnel when:
 - The power supply cord or the plug has been frayed, kinked, or cut.
 - Objects have fallen or liquid has spilled into the unit.
 - The unit has been exposed to rain or extreme moisture.
 - The unit does not appear to operate normally.
 - The "Protection OK" indicator is not lit.
 - The unit has been dropped, or the enclosure has been damaged.
8. Your P-1800 AR requires that a safety ground be present for proper operation. Any attempt to operate the unit without a safety ground is considered improper operation and could invalidate the warranty.
9. Do not attempt to service your P-1800 AR beyond what is described in this manual. All other servicing should be referred to qualified service personnel.

INSTALLATION

Because of the toroidal transformer design, the Furman P-1800 AR may be positioned near most other equipment without fear that the other equipment will be disrupted by leakage of a strong 50/60 Hz magnetic field. Nevertheless, suggested rack locations would be either at the top or bottom.

As with any rackmount equipment, be sure to use 10-32 machine screws for mounting in the rack's tapped holes (this is not a metric size). In particular, beware of 10-24 screws, which may fit if forced but which will strip the threads. To avoid marring the front panel finish, use plastic washers under the screw heads.

OPERATION

Dimmable/Switchable Digital Voltage and True RMS Current Meter:

Furman's laboratory precision AC digital voltmeter continually measures incoming voltages within a typical tolerance of +/-1.5VAC. It should be noted that the voltage reading is determined by the incoming AC source.

The Furman True RMS Current Meter constantly measures the total circuit AC load, with a typical tolerance of +/-0.5 amp. Because the meter features True RMS technology, the current readings are accurate regardless of load conditions (capacitive, inductive, or resistive).

To switch between voltage and current, press the button labeled "Line Voltage/Current". To change the display intensity, hold this button down for two seconds to cycle through the 3 stages of brightness.

Voltage Range Indicator:

This tri-color Voltage Range indicator is located in the lower left corner of the digital voltage meter lens assembly. When the incoming AC voltage is within a capture range of 97-137V the tri-color indicator will be green (optimal), indicating the unit is in regulation. However, if the regulator encounters a temporary transient condition the indicator will turn amber (caution). This amber indication appears when there are excessive changes or sudden swings at the input (+/-10 volts). If the incoming voltage is outside the capture range (below 97V or above 137V) the indicator will turn red. Red warnings indicate the incoming voltage is far from optimal and beyond the capture range offering a constant 120V. In this condition, the P-1800 AR will continue to regulate from the last tap of the autoformer, providing an output voltage as close to 120V as possible (e.g. an input voltage of 92V would equate to 110V at output). When employing the P-1800 AR in mission critical applications where 120V is the primary concern, the red indication is invaluable.

Ultra-Low Resistance Magnetic Power Switch / Circuit Breaker:

Furman's Prestige Series 15 amp capacity power switch / circuit breaker is specifically designed to stand up to the enormous high in-rush current demands of many power amplifiers. Additionally, Furman magnetic circuit breakers are not sensitive to temperature, nor do they raise the AC impedance as do many less costly thermal breakers. If the 15 amp maximum RMS current capacity of the P-1800 AR is exceeded, the spring tensioned switch will immediately reset to the "Off" position. You will need to switch back to the "On" position once the problem is corrected (typically by eliminating one component), or until the RMS current does not exceed 12 amps - 1440 watts.

Total Current Capacity (maximum and minimum load):

The P-1800 AR can handle loads totaling up to 15 amperes as long as the input voltage is equal to or above 124 volts. For voltages

below that level, its capacity must be derated at approximately 113 milliamperes per volt. (See graphs on back page.) As a practical matter, therefore, to cope successfully with worst-case brownout conditions, you should plan your total load so that it does not exceed 12 amps, or 1400 watts. Please note that this refers to the aggregate power requirement of all equipment plugged into the P-1800 AR, not to each individual item.

Extreme Voltage Shutdown Indicator:

The Extreme Voltage LED indicator is normally off. It is located within the meter lens assembly directly above the blue voltage meters LED's, though during normal use it will NOT be visible.

The Extreme Voltage indicator monitors a hazard common in the entertainment industry, as well as remote broadcast: wiring faults, such as accidental connection to 208VAC where 120VAC is expected, or an open series neutral from a 208 to 240VAC electrical service. The Furman EVS circuit senses voltages that are so high that operation would be impossible and shuts the power down before damage can occur.

Upon initially applying power to the P-1800 AR, the Extreme Voltage indicator will illuminate to a bright red if the input voltage is above the extreme voltage cutoff. When this occurs, power will not be applied to the P-1800 PF R's outlets. If the unit has been operating with an acceptable input voltage and subsequently that voltage exceeds 140V, it will shut off power to the outlets and the Extreme Voltage LED will light.

NOTE: *If the mains power is above the high cutoff voltage and has caused the EVS circuit to remove power from the Furman's outlets, it cannot restore power without the operator manually turning the unit off, then on again. Avoid turning the unit back on without first checking the source of the problem and perhaps changing the AC source.*

Protection OK Indicator:

Although the Furman SMP circuit assures virtually maintenance free protection from transient voltage spikes and surges, nature has a way of occasionally creating electrical forces that are beyond the capabilities of ANY TVSS device to absorb without some degree of damage (such as a direct lightning hit in an outdoor application). In the rare instance that this occurs, the green "Protection OK" LED indicator (located to the lower right of the voltage meter) will not illuminate. If this happens, some level of protection from voltage surges will remain, but the Furman's clamping voltage rating will be compromised. The unit must be returned to Furman.

USB Charger:

The Furman P-1800 AR's USB charger provides an easy way to recharge many popular electronic accessories as well as cellular communication devices by simply plugging the re-charge cord into the front panel socket. Please note: as there are currently many standards for USB, some devices may not be compatible with our charger.

Rear BNC Connector:

The Furman P-1800 AR features a rear rack BNC socket which will accept any 12 VAC (0.5A) gooseneck lamp assembly, (such as the Furman GN-LED or GN-I). Simply slide the BNC plug over the socket and rotate clockwise until the connector snaps into the locked position. The rear rack lamp can be powered on or off with the rear light switch which is adjacent to the BNC connector.

Transformer Plug ("Wall Wart") Secure Straps:

The Furman P-1800 AR features three rear panel AC outlets that are widely spaced for plug transformers (wall warts). Additionally, these may be secured for transport with the Velcro™ Secure Straps that are included in the product carton. Each strap must be first secured with the supplied Philips screw, and the Furman Secure Strap will tie the "wall wart" (transformer) in place.

Isolated Outlet Banks:

The Furman P-1800 AR features eight rear-panel outlets in 2 isolated banks. If you are connecting digital and analog equipment to the P-1800 AR, it is recommended to connect the analog equipment to "Bank A" and digital equipment to "Bank B" (or vice-versa) to minimize electrical crosstalk.

TROUBLESHOOTING

1.) Symptom: No power to the AC outlets; "Protection OK" indicator is not lit.

Possible Cause: Either the AC outlet to which your P-1800 AR is connected has no AC voltage present, or there has been damage to the unit's circuitry.

Action Needed: Plug the P-1800 AR into an AC receptacle where a nominal 120 VAC is present. If the problem persists, the internal circuitry may be damaged and the unit will require factory service (see "Service" section below).

2.) Symptom: Extreme Voltage indicator lit.

Possible Cause: Input voltage is above 140 volts causing power to the unit's outlets to be shut down.

SERVICE

Questions or issues with your Furman unit should be directed to the Furman Customer Service Department, available 8AM-4PM Pacific Time at (707) 763-1010 or via email at techsupport@furmansound.com. If a unit requires service, it must have an RA number assigned from Furman's Customer Service Department.

Before returning any equipment for repair, please be sure that it is adequately packed and cushioned against damage in shipment, and that it is insured. We suggest that you save the original packaging and use it to ship the product for servicing. Also, please enclose a brief note giving your name, address, phone number and a description of the problem. Please display your RA number prominently on the front of all packages.

5 YEAR LIMITED WARRANTY

SAVE YOUR SALES RECEIPT! The receipt is your proof of purchase and confirms the product was purchased at an authorized Furman dealer. It will need to be submitted to Furman in order to process any warranty claims.

Furman, a brand of Panamax Inc., warrants its **P-1800 AR** (the "Product") as follows:

Furman warrants to the original purchaser of the product that the product sold hereunder will be free from defects in material and workmanship for a period of five years from the date of purchase. If the product does not conform to this Limited Warranty during the warranty period (as herein above specified), purchaser shall notify Furman of the claimed defects by calling 707-763-1010 or via email (techsupport@furmansound.com). If the defects are of such type and nature as to be covered by this warranty, Furman shall authorize purchaser to return the product to Furman headquarters. Warranty claims **MUST** be accompanied by a copy of the original purchase invoice or receipt showing the purchase date. Shipping charges to Furman headquarters must be prepaid by the purchaser of the product. Furman shall, at its own expense, furnish a replacement product or, at Furman's option, repair the defective product. Return shipping charges back to purchaser will be paid by Furman.

THE FOREGOING IS IN LIEU OF ALL OTHER WARRANTIES, EXPRESS OR IMPLIED, INCLUDING BUT NOT LIMITED TO THE IMPLIED WARRANTIES OF MERCHANTABILITY AND FITNESS FOR A PARTICULAR PURPOSE.

Furman does not warrant against damages or defects arising out of improper use or abnormal handling of the product, or against defects or damages arising from improper installation. This warranty shall be cancelable by Furman at its sole discretion if the product is modified in any way without written authorization from Furman or Panamax Inc. This warranty also does not apply to products upon which repairs have been affected or attempted by persons other than pursuant to written authorization by Furman or Panamax Inc.

THIS WARRANTY IS EXCLUSIVE. The sole and exclusive obligation of Furman shall be to repair or replace the defective product in the manner and for the period provided above. Furman shall not have any other obligation with respect to the products or any part thereof, whether based on contract, tort, strict liability or otherwise. Under no circumstances, whether based on this Limited Warranty or otherwise, shall Furman be liable for incidental, special, or consequential damages. This Limited Warranty states the entire obligation of Furman with respect to the product. If any part of this Limited Warranty is determined to be void or illegal, the remainder shall remain in full force and effect.

SPECIFICATIONS

MAXIMUM OUTPUT CURRENT: 15 amps @ 124 volts

LINE CORD: Captive 3/14 AWG, 10 ft, black cord with NEMA 15 plug

BNC SOCKET WITH SWITCH FOR REAR RACK LAMP: 12VAC 500mA max (lamp not included)

IN REGULATION RANGE: 97 to 137 VAC

OVER VOLTAGE SHUTDOWN: 140 VAC nominal

SPIKE PROTECTION MODES: Line to neutral, zero ground leakage

SPIKE CLAMPING VOLTAGE: 188 VAC peak @ 3,000 amps

RESPONSE TIME: 1 nanosecond

MAXIMUM SURGE CURRENT: 6,500 AMPS

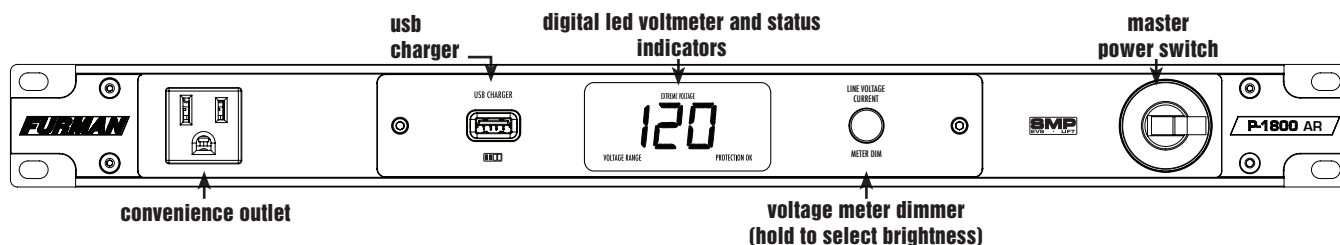
NOISE ATTENUATION: 10 dB @ 10kHz, 40 dB @ 100kHz, 50 dB @ 500kHz

DIMENSIONS: 19" W x 12.0" D x 1.745" H

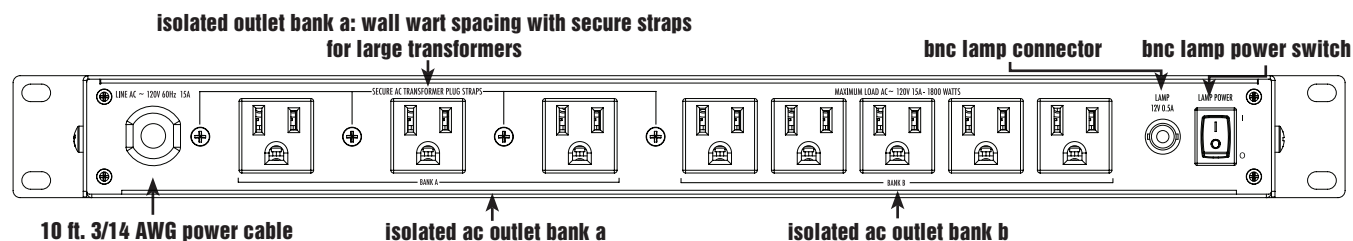
WEIGHT: 15 lbs. (7 kg.)

POWER CONSUMPTION: (No load) 5 Watts

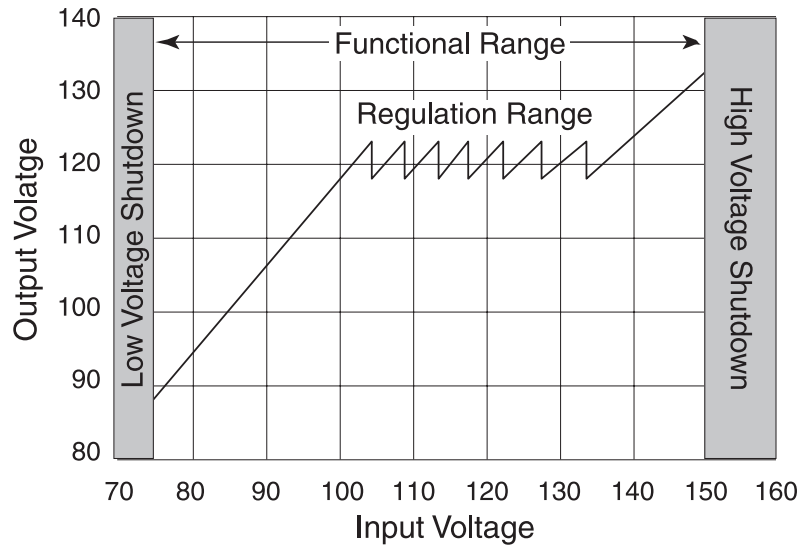
P-1800 AR FRONT PANEL



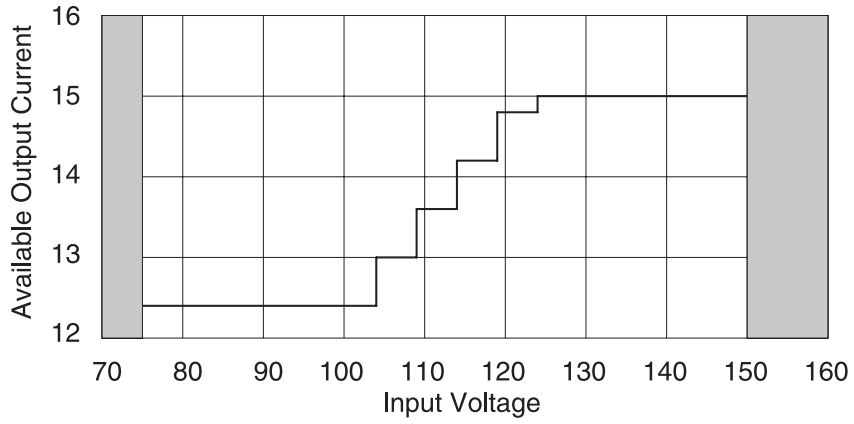
P-1800 AR REAR PANEL



AR VOLTAGE RANGE



AR OUTPUT CURRENT RANGE



NOTES:

CARACTÉRISTIQUES DU P-1800 AR DE FURMAN

- **Régulation de tension RMS réelle** (Valeur moyenne quadratique) - autotransformateur toroïdal de 15 ampères ultrasilencieux contrôlé par microprocesseur
- Protection multi-étagée **SMP** (series multi-stage protection) avec extinction en cas de tension extrême **EVS** (Extreme Voltage Shutdown)
- Technologie de filtrage linéaire **LiFT** (Linear Filtering Technology - Technologie de filtrage linéaire) sans altération de la mise à la terre
- **Sorties réglées, filtrées et protégées de neuf totaux à C.A.** (trois avec l'espacement « de verrue de mur » et les courroies bloquées de Furman pour tenir les transformateurs encombrants en place)
- Perte de champ magnétique rayonné très faible
- Voltmètre et ampèremètre RMS numérique très précis commutable/à luminosité réglable
- Indicateur de tension tricolore (en complément de la lecture numérique de la tension)
- Prise USB sur le panneau avant, accepte la plupart des appareils de transport de données et des téléphones portables
- Le connecteur BNC sur le panneau arrière vous permet de fixer n'importe quelle lampe à col de cygne standard (12 VCA 0,5 A) pour éclairer l'arrière de votre rack (les lampes accessoires à col de cygne GN-I et GN-LED de Furman (vendues séparément) sont recommandées pour cette application)
- Capacité de courant de 15 A (1800 watt); capacité de sortie de 12 à 15 A
- Cordon d'alimentation CA robuste 14 AWG de 3 m de long
- Garantie limitée de 5 ans

INTRODUCTION

Nous vous remercions d'avoir acheté le régulateur de tension/conditionneur d'alimentation de la série Prestige de Furman et nous vous félicitons pour votre choix. Les modèles de la série Prestige P-1800 AR sont munis du système d'autorégulation RMS réelle de Furman, de circuits de protection multi-étagées (SMP) de Furman et de notre technologie exclusive de filtre linéaire (LiFT). Ensemble, ces technologies intègrent exactement ce que nos clients attendent de la part de Furman : une protection et une purification sans compromis. Le P-1800 AR a été spécialement conçu pour répondre aux exigences des studios d'enregistrement, des stations de diffusion et des musiciens les plus pointus.

Le modèle P-1800 AR de Furman est conçu pour protéger les équipements électroniques sensibles aux problèmes provoqués par les irrégularités du courant de réseau alternatif — les baisses de tension ou les surtensions qui peuvent provoquer des modifications de la tonalité des sons, une défaillance des appareils numériques (tel que la perte de logiciels MIDI ou d'autres données) ou dans des cas extrêmes, des dommages permanents. Ce modèle accepte des tensions d'entrée de réseau alternatif et les convertit en une sortie stable et régulière de 120V, plus ou moins 5 volts. Les tensions d'approximativement $\pm 10\%$ au-delà de ce niveau peuvent être converties à des niveaux utilisables, en fonction des besoins des équipements. Cette tension stable protège les équipements et offre des performances optimales. Si vous transportez fréquemment votre rack dans des lieux différents, dérivez l'alimentation à partir d'un générateur, utilisez des rallonges excessivement longues, voyagez dans le monde et ou bien vous trouvez dans une zone sujette à des baisses de tension, vous profiterez pleinement de l'utilisation du P-1800 AR de Furman.

DESCRIPTION

Technologie de régulation de la tension RMS réelle

La régulation de tension RMS réelle est conçue autour d'un autotransformateur toroïdal de 15 ampères ultrasilencieux à huit prises. Un microprocesseur à l'intérieur du P-1800 AR contrôle la tension RMS entrante pour chaque période, en mesurant le déphasage simultanément avec la période en cours. La plupart des régulateurs de tension commerciaux utilisant des transformateurs à plusieurs prises qui changent de sorties de façon indéterminée. Cela provoque des pics de tension et des clics qui peuvent avoir des effets sonores. Lorsqu'une fluctuation de la tension requiert une correction du P-1800 AR, le régulateur de tension à RMS réelle met en avant une nouvelle prise avec moins de contrainte et évite alternativement les distorsions du courant alternatif ondulant. L'hystérésis des circuits du P-1800 AR évite le basculement inutile entre les prises adjacentes (ou "chatters") que l'on trouve dans beaucoup de régulateurs de tension vendus dans le commerce. En cas de besoin, la technologie de régulation de tension à RMS réelle peut basculer d'une prise à une autre aussi souvent qu'il y a de période et cela avec un délai de récupération plus court qu'un régulateur de tension commun. En plus de cela et contrairement aux régulateurs de tension utilisant un transformateur ferorésonnant, le modèle P-1800 AR n'est pas sensible aux petites erreurs de fréquence de la ligne, ce qui le rend idéal pour une utilisation avec un générateur. Le P-1800 AR dispose de huit prises sur le panneau arrière et d'une prise commode sur le panneau avant. Ces prises sont toutes

interchangeables. Elles sont régulées, protégées contre les surtensions, et filtrées linéairement, faisant de cet appareil un conditionneur d'alimentation complet. La conception toroïdale de l'autotransformateur garantit une fuite minimale du champ magnétique rayonné.

Remarque : Le modèle P-1800 AR ne doit être utilisé qu'en présence d'une tension CA. Ne jamais utiliser sur des tensions CC. De plus, il ne modifie et ne régule pas la fréquence de la ligne. La fréquence de sortie sera toujours la même que la fréquence entrante.

Protection multi-étagée SMP (Series Multi-Stage Protection) et extinction en cas de tension extrême EVS (Extreme Voltage Shutdown)

La suppression des surtensions SMP (Protection multi-étagée) de Furman élimine pratiquement les appels de maintenance et les « temps d'arrêts » coûteux. Les circuits traditionnels de protection contre les surtensions se sacrifient lorsqu'ils sont exposés à des pics passagers de tensions, ce qui nécessite le démontage de votre système et la réparation de votre étaleur d'ondes. Ce n'est pas le cas avec le SMP de Furman. Avec le SMP, les surtensions passagères nuisibles sont absorbées, bloquées et dissipées de façon sûre. Votre matériel connecté est protégé, tandis que votre P-1800 AR se protège lui-même !

Ce qui différencie le SMP de Furman est sa tension de blocage sans égal. Alors que d'autres conceptions disposent de tension de blocage se situant bien au-delà de 330 Vpk, le SMP de Furman se verrouille à 188 Vpk (133 VCA RMS) même lorsqu'il est testé avec des surtensions multiples de 6000 Vpk - 3000 A ! Ce niveau de protection sans précédent n'est offert que par la technologie SMP de Furman. De plus, les circuits de confiance d'EVS (Extinction en cas de tension extrême) de Furman protègent contre les conditions catastrophiques de surtension (telles que toutes les trop fréquentes connexions accidentelles à des prises de courant 208 ou 240 VCA ou un neutre intermittent) en coupant l'alimentation entrante jusqu'à ce que la surtension soit corrigée et que l'interrupteur d'alimentation soit réinitialisé.

LiFT (Technologie de filtrage linéaire)

La technologie de filtrage linéaire (LiFT) de Furman réduit les bruits de la ligne de réseau CA de façon uni et linéaire à travers une très large bande passante, ce qui diminue les bruits de fond. Les filtres/conditionneurs CA traditionnels ont été conçus pour être utilisés dans des conditions irréalistes de laboratoire ; qu'il s'agisse de filtres multipolaires ou à modes conventionnels. Les technologies précédentes pouvaient en effet nuire aux performances du son et de l'image plus qu'elles ne les aidaient à cause du pic résonnant de leur conception vétuste non linéaire. Dans certaines conditions, ces technologies peuvent en fait ajouter plus de 10 dB de bruit à la ligne de tension CA ! Pire encore, des pertes de données, le besoin de réinitialiser les pré réglages numériques ou des convertisseurs numériques détruits sont fréquemment causés par des pics excessifs de surtension et le bruit CA qui polluent la mise à la terre du matériel. La technologie LiFT de Furman utilise une approche différente, assurant des performances optimales grâce au filtrage linéaire sans altération ou fuite de la mise à la terre.

P-1800 AR - Fonctions Supplémentaires :

De plus, le modèle P-1800 AR dispose d'un compteur numérique double de très grande précision qui affiche la tension d'entrée par intervalle de 1 volt et fonctionne comme un ampèremètre RMS qui mesure le courant au dixième d'ampère. La précision du voltmètre est de ± 1.5 volts et dispose d'un indicateur de niveau de tension tricolore. Il permet à l'utilisateur de savoir si la tension est comprise ou non dans la plage d'utilisation sûre. L'ampèremètre mesure avec précision l'appel de courant pour une analyse instantanée des besoins du système.

Le P-1800 AR est muni de neuf prises régulées ; une prise commode sur le panneau avant et huit sur le panneau arrière, dont trois sont suffisamment espacées pour installer des prises avec transformateur et dispose des boucles de serrage « sangles de retenue » en Velcro™. Toutes les rangées de prises du panneau arrière sont isolées électriquement l'une de l'autre afin de minimiser la diaphonie entre les composants.

Le modèle P-1800 AR a une capacité de 15 A qui est fournie par un cordon d'alimentation 14 AWG robuste de 3 m de long. Une prise BNC à l'arrière permet de connecter n'importe quelle lampe à col de cygne standard (12VCA 0.5 A) pour éclairer l'arrière du rack.

CONSIGNES DE SÉCURITÉ

Afin d'obtenir les meilleurs résultats possibles avec votre modèle P-1800 AR de Furman, veuillez lire attentivement ce manuel avant l'utilisation.

AVERTISSEMENT

Afin de réduire les risques d'électrocution, ne pas exposer cet équipement à la pluie ou à l'humidité. Il y a à l'intérieur du boîtier des tensions élevées dangereuses. Ne retirez pas le couvercle. Confiez la maintenance uniquement à des techniciens qualifiés. L'éclair avec une pointe en forme de flèche qui clignote signale à l'utilisateur la présence de tension non-isolée dangereuse à l'intérieur du boîtier qui peut se révéler d'une amplitude suffisante pour provoquer un risque d'électrocution !

IMPORTANTES CONSIGNES DE SÉCURITÉ

(Veuillez lire avant l'installation)

1. Veuillez lire et respecter toutes les consignes de sécurité ainsi que le mode d'emploi avant d'installer votre P-1800 AR. Conservez ces consignes pour toute consultation ultérieure.
2. Votre modèle P-1800 AR ne devrait pas être utilisé près d'une source d'eau, telle qu'une baignoire, un lavabo, un évier, une cuve de lessivage, dans un sous-sol mouillé ou près d'une piscine.
3. Ne placez pas votre P-1800 AR près de sources importantes de chaleur, telles qu'un radiateur, une bouche d'air chaud, une cuisinière ou d'autres appareils produisant une chaleur importante.
4. Vous ne devriez brancher votre P-1800 AR qu'à une prise de courant avec mise à la terre de 120 VCA, 60Hz. Ne retirez pas la mise à la terre et ne changez pas la polarisation de la prise d'alimentation.
5. Acheminez le cordon d'alimentation et tous les autres câbles afin d'éviter leur piétinement, les possibilités de trébuchements ou leurs contraintes. Portez une attention particulière à l'état des cordons et des câbles et à l'endroit d'où ils sortent de votre conditionneur Furman. Pour éviter les risques d'incendie ou de blessure, remplacez immédiatement les cordons et les câbles endommagés.
6. Nettoyez votre P-1800 AR à l'aide d'un linge humide uniquement. N'utilisez pas de solvants ou de nettoyants abrasifs. Ne versez jamais de liquide dans ou sur l'appareil.
7. Faites vérifier l'état de votre P-1800 AR par un technicien qualifié lorsque :
 - Le cordon ou la prise d'alimentation est usé(e), entortillé(e) ou coupé(e).
 - Des objets sont tombés ou des liquides ont été renversés sur l'appareil.
 - L'appareil a été exposé à la pluie ou à une humidité importante.
 - L'appareil ne semble pas fonctionner normalement.
 - Le voyant "Protection OK" n'est pas allumé.
 - L'appareil est tombé par terre ou le boîtier a été endommagé.
8. Une mise à la terre de sécurité est nécessaire pour le bon fonctionnement du P-1800 AR. Toute tentative d'utilisation de l'appareil sans mise à la terre de sécurité est considérée comme un fonctionnement incorrect et peut rendre nulle la garantie.
9. N'essayez pas de réparer votre modèle P-1800 AR au-delà des instructions fournies par ce manuel. Toute autre réparation devrait être confiée à un technicien qualifié.

INSTALLATION

Grâce à la conception toroïdale du transformateur, le P-1800 AR de Furman peut être placé à proximité de la plupart des équipements sans craindre qu'ils soient perturbés par une fuite d'un puissant champ magnétique de 50/60 Hz. Cependant, il est suggéré de placer le rack en haut ou en bas.

Comme avec tout équipement qui se monte sur rack, assurez-vous d'utiliser des vis 10-32 pour le montage dans les trous filetés du rack (ce ne sont pas des dimensions en mètre). Faites particulièrement attention aux vis 10-24, qui peuvent être installées en forçant, mais qui abîmeront le filetage. Pour éviter d'abîmer la finition du panneau avant, utilisez des rondelles en plastique sous les têtes de vis.

FONCTIONNEMENT**Compteur de courant RMS réelle et de tension numérique commutable/à luminosité réglable :**

Le voltmètre numérique CA de très grande précision de Furman mesure continuellement les tensions d'entrée avec une tolérance caractéristique de +/-1,5 VCA. Veuillez remarquer que la lecture de la tension est déterminée par la tension CA entrante.

L'ampèremètre à RMS réelle de Furman mesure continuellement la charge totale du circuit CA avec une tolérance caractéristique de +/-0,5 A. Comme le compteur dispose de la technologie RMS réelle, les lectures de courant sont précises quelles que soient les conditions de charge (capacitive, inductive ou résistive).

Pour basculer entre la tension et le courant, appuyez sur le bouton appelé « Line Voltage/Current » (Courant/Tension de réseau). Pour modifier l'intensité de l'éclairage de l'affichage, appuyez sur ce bouton pendant deux secondes pour passer par les trois différents

niveaux de luminosité.

Indicateur de gamme de tension :

Cet indicateur de gamme de tension tricolore est situé dans le coin inférieur gauche de l'afficheur numérique de tension. Lorsque la tension entrante CA est située entre 97 et 137V le voyant tricolore sera vert (optimal), ce qui indique que l'appareil fonctionne correctement. Cependant, si le régulateur subit une situation anormale passagère le voyant deviendra orange (attention). Le voyant orange s'allume en cas de modifications excessives ou de changement soudain au niveau de l'entrée (+/-10 volts). Si la tension d'entrée est en dehors de la gamme optimale (moins de 97V ou plus de 137V) le voyant deviendra rouge. Les avertissements rouges indiquent que la tension entrante est loin d'être optimale et en dehors de la gamme fournissant une tension constante de 120V. Dans ces conditions, le P-1800 AR continuera de réguler à partir de la dernière prise de l'autotransformateur, fournissant une tension de sortie aussi proche que possible de 120V (par exemple, une tension entrante de 92V correspondra à une tension sortante de 110V). Lorsque vous utilisez

le modèle P-1800 AR pour des applications critiques pour lesquelles une tension de 120V est primordiale, le voyant rouge est très précieux.

Interrupteur d'alimentation / disjoncteur magnétique à résistance ultra faible :

L'interrupteur d'alimentation / disjoncteur d'une capacité de 15 A de la série Prestige de Furman a été conçu spécialement pour résister aux énormes demandes d'afflux de courant élevé de nombreux amplificateurs de puissance. De plus, les disjoncteurs magnétiques de Furman ne sont pas sensibles à la température et ne contribueront pas à augmenter l'impédance CA comme le font beaucoup de disjoncteurs thermiques moins chers. Si la capacité maximum de 15A RMS du P-1800 AR est dépassée, l'interrupteur à ressort se mettra automatiquement en position fermée (« Off »). Vous devrez remettre l'interrupteur en position marche (« On ») une fois que le problème sera réglé (généralement en supprimant un composant), ou jusqu'à ce que le courant RMS ne dépasse plus 12 A - 1440 watts.

Capacité totale de courant (charge maximale et minimale) :

Le P-1800 AR peut supporter des charges totales allant jusqu'à 15A pour autant que la tension entrante soit égale ou supérieure à 124 volts. Pour des tensions inférieures à ce niveau, sa capacité doit être diminuée à approximativement 113 milliampères par volt. (Voir graphiques sur page arrière). De façon pratique, afin de faire face aux pires conditions de baisse de tension, vous devriez prévoir votre charge totale de sorte telle qu'elle n'excède pas les 12 A ou 1400 watts. Veuillez noter que cela fait référence aux besoins cumulés d'alimentation de tous les équipements branchés sur le P-1800 AR, et non pas à chaque élément pris séparément.

Indicateur d'extinction en cas de tensions extrêmes (EVS) :

L'indicateur DEL de tensions extrêmes est normalement éteint. Il est situé à l'intérieur de l'afficheur, directement au-dessus des voyants DEL bleu des compteurs de tension et ne sera PAS visible lors d'une utilisation normale.

L'indicateur de tensions extrêmes contrôle un risque commun dans l'industrie du divertissement et de l'émission en extérieur : les problèmes de câblage tels qu'une connexion accidentelle sur une prise de 208VCA alors qu'une tension de 120VCA est requise ou un service électrique avec neutre de série ouverte de 208 à 240VCA. Le circuit EVS de Furman détecte les tensions trop élevées qui rendraient impossible le fonctionnement et coupe l'alimentation avant qu'il n'y ait des dommages.

Dès la mise sous tension initiale du P-1800 AR, le voyant de tension extrême s'allumera en rouge clair si la tension entrante dépasse le niveau de coupure de tension extrême. Quand cela se produit, les prises du P-1800 PF R ne seront pas alimentées. Si l'appareil a fonctionné avec une tension entrante acceptable et que cette tension dépasse substantiellement 140V, cela éteindra l'alimentation des prises et la DEL de tension extrême s'allumera.

REMARQUE : Si l'alimentation globale excède le niveau de coupure et a poussé le circuit de protection à cesser d'alimenter les prises de l'appareil Furman, l'alimentation ne peut pas être rétablie sans que l'opérateur éteigne manuellement le module et le rallume. Ne rallumez pas l'appareil avant d'avoir vérifié l'origine du problème et d'avoir éventuellement changé la source d'alimentation.

Indicateur « Protection OK » :

Bien que le circuit SMP de Furman assure pratiquement une protection sans maintenance contre les pics passagers de tension et les surtensions, la nature trouve parfois le moyen de produire des forces électriques qui dépassent les capacités d'absorption de TOUT dispositif TVSS (Étaleur d'onde de pic passager de tension), provoquant certains dommages (comme un éclair frappant directement une installation en extérieur). Dans les rares cas où cela surviendrait, le voyant DEL vert « Protection OK » (situé dans le coin inférieur droit de l'afficheur), ne sera pas allumé. Si cela se produit, le module conservera un certain niveau de protection contre les surtensions, mais la valeur de la tension de blocage de Furman sera compromise. L'appareil devra être renvoyé à Furman.

Chargeur USB :

Le chargeur USB du P-1800 AR de Furman offre une solution pratique pour recharger la plupart des accessoires électroniques

populaires ainsi que des appareils de communication portables en branchant simplement le cordon de chargement dans la prise située sur le panneau avant. Veuillez noter qu'il existe actuellement de nombreux standards USB, certains appareils pourront ne pas être compatibles avec notre chargeur.

Connecteur arrière BNC :

Le module P-1800 AR est équipé d'une prise arrière BNC qui permet de connecter n'importe quelle lampe commune à col de cygne de 12 VCA - 0,5 A, (telles que les modèles GN-LED ou GN-I de Furman). Faites simplement glisser la prise BNC sur la prise de courant puis tournez-la jusqu'à ce que le connecteur s'enclenche en position verrouillée. Vous pouvez éteindre ou allumer la lampe arrière du rack en utilisant l'interrupteur arrière d'éclairage qui se trouve à côté du connecteur BNC.

Sangles de retenue pour prise de transformateur :

Le modèle P-1800 AR de Furman est équipé de trois prises CA sur le panneau arrière qui sont largement espacées pour permettre de connecter des transformateurs. De plus, ces derniers peuvent être sécurisés pour le transport à l'aide des sangles de retenue en Velcro™ incluses dans la boîte du produit. Chaque sangle doit tout d'abord être fixée à l'aide des vis Philips fournies et la sangle de retenue de Furman maintiendra le transformateur en place.

Rangées de prises isolées :

Le modèle P-1800 AR de Furman est équipée de huit prises sur le panneau arrière, placées sur deux rangées isolées. Si vous connectez du matériel numérique et analogique sur le P-1800 AR, il est recommandé de connecter les équipements analogiques sur la « rangée A » et les équipements numériques sur le « rangée B » (ou vice et versa) afin de minimiser la diaphonie électrique.

DÉPANNAGE

1.) Symptôme : Les prises ne sont pas alimentées en électricité; l'indicateur « Protection OK » n'est pas allumé.

Cause possible : Il n'y a pas de tension CA présente dans la prise sur laquelle votre module P-1800 AR est branché, ou les circuits de votre appareil ont été endommagés.

Solution : Branchez le P-1800 AR sur une prise où il y a une tension nominale de 120V. Si le problème persiste, les circuits internes ont peut-être été endommagés et l'appareil nécessite une maintenance en usine (voir la section "Service à la clientèle" ci-dessous)

2.) Symptôme : L'indicateur de tension extrême est allumé.

Cause possible : La tension entrante dépasse les 140V provoquant l'extinction de l'alimentation des prises de l'appareil.

SERVICE À LA CLIENTÈLE

Les questions et les problèmes relatifs à votre appareil Furman doivent être adressés au département de service à la clientèle de Furman, ouvert de 8:00 à 16:00, heure du Pacifique au (707) 763-1010 ou par courriel à techsupport@furmansound.com. Si un appareil a besoin d'une maintenance, il doit être muni d'un numéro d'autorisation de retour (numéro RA) assigné par le département de service à la clientèle de Furman.

Avant de nous renvoyer tout appareil pour réparation, assurez-vous qu'il soit correctement emballé et protégé contre les dommages qui pourraient se produire pendant l'expédition et faites assurer le colis. Nous vous suggérons de garder l'emballage original et de l'utiliser pour expédier l'appareil. Veuillez également joindre une note contenant votre nom, votre adresse, votre numéro de téléphone ainsi qu'une description du problème. Veuillez inscrire le numéro d'autorisation de retour (numéro RA) de façon visible sur la face avant de tous les colis.

GARANTIE LIMITÉE DE 5 ANS

CONSERVEZ VOS REÇUS D'ACHAT ! Le reçu constitue votre preuve d'achat et confirme que le produit a été acheté chez un distributeur agréé Furman. Vous devrez l'envoyer à Furman pour permettre le traitement de toute réclamation concernant la garantie.

Furman, une marque de Panamax Inc., garantit son **P-1800 AR** (le « Produit ») comme suit :

Furman garantit à l'acheteur original que le produit vendu aux termes des présentes est certifiée sans défaut matériel et de fabrication pendant une période de cinq ans à partir de la date d'achat. Si le produit n'est pas conforme à cette garantie limitée pendant la période de garantie (telle que spécifiée ci-dessus), l'acheteur avisera Furman des défauts en téléphonant au numéro suivant, 707-763-1010, ou par courriel (techsupport@furmansound.com). Si les défauts sont du type et de la nature de ceux couverts par cette garantie,

Furman autorisera l'acheteur à renvoyer le produit au siège social de Furman. Les réclamations sous garantie DOIVENT être accompagnées d'une copie de la facture ou du reçu d'achat original indiquant la date d'achat. Les frais d'expédition doivent être payés à

l'avance par l'acheteur du produit. Furman s'engage à remplacer le produit à ses frais ou selon son jugement, à réparer le produit défectueux. Les frais d'expédition de renvoi à l'acheteur seront payés par Furman.

LE SUSCITÉ SUPPLANTE TOUTE AUTRE GARANTIE, EXPRIMÉE OU IMPLICITE, Y COMPRIS, MAIS SANS SE LIMITER AUX GARANTIES IMPLICITES DE MARCHANDISATION ET D'UTILISATION VISANT UN BUT PARTICULIER.

Furman ne garantit pas les dommages ou défauts issus d'une utilisation inappropriée ou de la manutention anormale du produit, ou contre les dommages ou défauts issus d'une mauvaise installation. Furman annulera cette garantie à sa discrétion si le produit a été modifié sans l'autorisation écrite de Furman ou de Panamax Inc. Cette garantie ne s'applique pas non plus pas aux produits dont les réparations ont été réalisées ou tentées par des personnes autres que celles autorisées par écrit par Furman ou Panamax Inc.

CETTE GARANTIE EST EXCLUSIVE. L'obligation unique et exclusive de Furman sera de réparer ou de remplacer le produit défectueux de la manière et selon la période indiquée ci-dessus. Furman n'aura pas d'autre obligation en ce qui concerne ses produits ou leurs pièces, qu'elle soit basée sur un contrat, une faute professionnelle, une stricte responsabilité ou autre. En aucune circonstance, Furman ne pourra être tenu responsable, que ce soit sur la base de cette garantie limitée ou autre, de dommages directs, indirects ou spéciaux. Cette garantie limitée exprime toute l'étendue des obligations de Furman quant au produit. Si une partie de cette garantie limitée devait être jugée nulle ou illégale, le reste demeurerait applicable et en vigueur.

CARACTÉRISTIQUES

COURANT DE SORTIE MAXIMUM : 15 A à 124 volts

CORDON : Cordon noir isolé 3/14 AWG, 3 m de long, cordon noir avec prise NEMA 15

PRISE BNC AVEC INTERRUPTEUR POUR LAMPE DE RACK ARRIERE : 12VCA 500 mA max (lampe non comprise)

PLAGE DE REGULATION : 97 à 137 VCA

ARRET SUITE A SURTENSION: 140 VCA nominal

MODES DE PROTECTION CONTRE LES SURTENSIONS: Ligne à neutre, aucune perte de mise à la terre

TENSION DE BLOCAGE DES SURTENSIONS : pic de 188 VCA à 3000 A

TEMPS DE RÉACTION : 1 nanoseconde

COURANT MAXIMUM DE SURTENSION : 6500 A

ATTÉNUATION DU BRUIT : 10 dB à 10kHz, 40 dB à 100 kHz, 50 dB à 500 kHz

DIMENSIONS : 19 po (L) x 12,0 po (P) x 1,745 po (H) (48,3 x 30,5 x 4,4 cm)

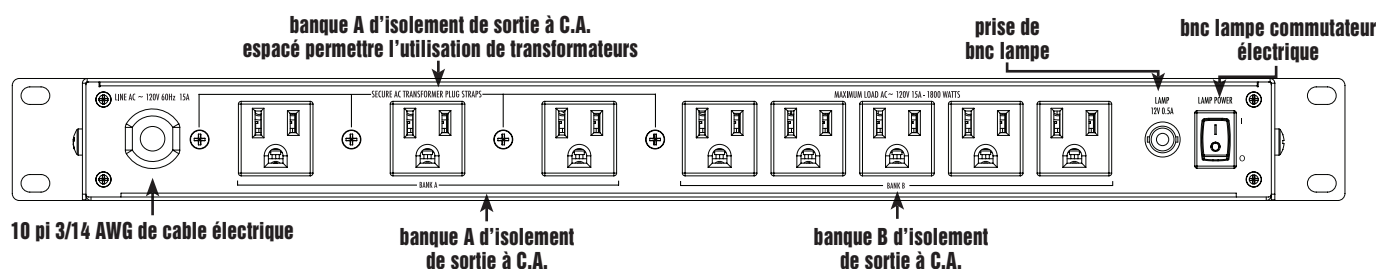
POIDS: 15 lb (6,8 kg.)

CONSOMMATION ÉLECTRIQUE : (Sans charge) 5 Watts

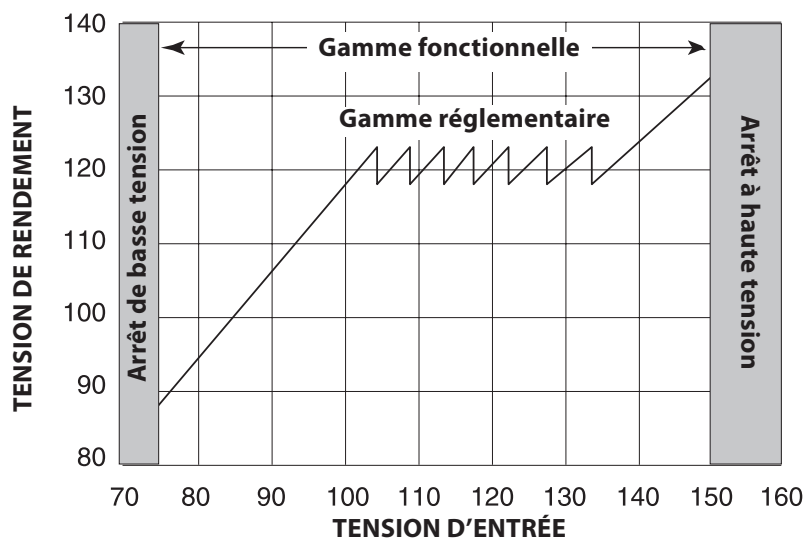
P-1800 AR PANNEAU AVANT



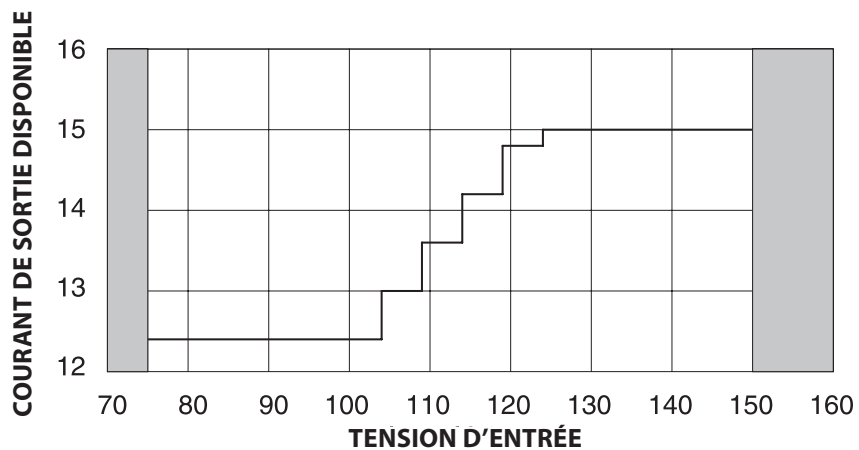
P-1800 AR ARRIÈRE PANNEAU



GAMME DE TENSION DE L'AR



COURANT DE SORTIE DE L'AR



NOTES : _____

CARACTERÍSTICAS DEL P-1800 AR DE FURMAN

- **Regulación de voltaje en RMS verdadero:** un autotransformador toroidal de ruidos ultra bajos de 15 amperes con control por microprocesador
- Tecnología de filtro lineal (**LiFT**, Linear Filtering Technology) sin interferencias en la conexión a tierra.
- Protección de serie multifase (**SMP**, Series Multi-Stage Protection) con apagado de voltaje extremo (**EVS**, Extreme Voltage Shutdown)
- **Enchufes regulados, filtrados y protegidos de nueve totales de la CA** (tres con “el espaciado de la verruga de la pared” y las correas seguras de Furman para sostener los transformadores abultados en el lugar)
- Muy baja fuga de campos magnéticos perdidos
- Amperímetro digital atenuante/conmutable en RMS verdadero y voltímetro preciso de laboratorio
- Indicador de límite de voltaje tricolor (complementa el indicador numérico de voltaje)
- El conector USB del panel frontal carga la mayoría de los dispositivos de comunicación portátiles y los teléfonos celulares
- El conector BNC que se encuentra en el panel trasero le permite colocar una lámpara con cuello de cisne estándar (12VCA 0,5 amperes) para iluminar la parte trasera de su estante (para esta aplicación, se recomiendan las lámparas con cuello de cisne que sirven de accesorio para el Furman GN-I y GN-LED que se venden por separado)
- Capacidad de corriente de 15 amperes (1800 vatios); capaciado de salida de 12 a 15 amperes
- Cable resistente de CA de 14awg. de 10 pies de longitud
- Garantía limitada de cinco años

INTRODUCCIÓN

Gracias por comprar un Regulador de potencia serie Prestige de Furman y felicitaciones por su elección. La serie Prestige P-1800 AR presenta la Regulación automática en RMS verdadero, el circuito de Protección de serie multifase (SMP) de Furman y nuestra exclusiva tecnología de filtro lineal (LiFT). Conjuntamente, estas tecnologías conforman precisamente lo que nuestros clientes han aprendido a valorar de Furman: protección y purificación inigualables. El P-1800 AR ha sido diseñado con precisión para satisfacer más que los requisitos esenciales de los estudios de grabación, los centros de radiodifusión y los músicos más exigentes.

El P-1800 AR de Furman tiene como objetivo proteger el equipo electrónico sensible de los problemas ocasionados por las irregularidades en el voltaje de la línea de CA: oscurecimientos parciales o sobrevoltajes que pueden causar cambios tonales de audio, funcionamiento incorrecto de equipo digital (como pérdida de programas MIDI u otra información), o, en casos extremos, daño permanente. Acepta una amplia gama de voltajes de CA de entrada y los convierte en una salida regular y estable de 120V, más o menos diez voltios. Los voltajes de aproximadamente $\pm 10\%$ sobre ese rango se pueden convertir a niveles utilizables, dependiendo de los requisitos del equipo. Este voltaje estable protege el equipo y permite un rendimiento óptimo. Si mueve su estante a diferentes lugares con habitualidad, deriva corriente de generadores, utiliza prolongaciones excesivamente largas, viaja al exterior o se encuentra en una zona en la que suelen producirse apagones, usted se beneficiará con el uso de un P-1800 AR de Furman.

DESCRIPCIÓN

La tecnología de Regulación de voltaje en RMS verdadero

La Regulación de voltaje en RMS verdadero está diseñada alrededor de un transformador toroidal de ocho tomacorrientes de sonido ultra bajo. Un microprocesador dentro del P-1800 AR monitorea el voltaje en RMS entrante en cada ciclo, midiendo el ángulo de fase a tiempo con el ciclo siguiente. La mayoría de los reguladores de voltaje comerciales que usan transformadores con múltiples tomacorrientes cambian tomacorrientes a tiempos que no son controlados. Esto crea corrientes de fuga de voltaje y chasquidos que pueden interferir con el audio. Cuando una fluctuación de voltaje requiere corrección del P-1800 AR, la Regulación de voltaje en RMS verdadero avanza a un nuevo tomacorriente con menos tensión y, a su vez, evita la distorsión de la onda de CA. La histéresis en los circuitos del P-1800 AR evita los cambios innecesarios entre los tomacorrientes contiguos (o “vibraciones”) encontradas en muchos reguladores de voltaje comerciales. De ser necesario, la tecnología Regulación de voltaje en RMS verdadero puede cambiar los tomacorrientes hasta una vez por ciclo y lo hace con un tiempo de recuperación más corto que el de un regulador de voltaje común. Además, y a diferencia de los reguladores de voltaje que emplean transformadores ferromagnéticos, el P-1800 AR no es sensible a pequeños errores en la frecuencia de línea, lo que lo hace ideal para usar con generadores.

El P-1800 AR tiene ocho tomacorrientes en el panel trasero y un cómodo tomacorriente en el panel frontal. Todos son de funcionalidad intercambiable. Los tomacorrientes son regulados, eliminados de sobrevoltaje y filtrados en forma lineal, lo que convierte a la unidad en un regulador de potencia de función completa. El diseño toroidal del autotransformador asegura una fuga mínima de campos magnéticos perdidos.

Nota: El P-1800 AR se debe utilizar sólo con voltaje de CA. Nunca deben utilizarse voltajes de CC. Además, no cambia ni regula la frecuencia de línea. La frecuencia de salida siempre será igual que la frecuencia de entrada.

SMP (Protección de serie multifase) con EVS (Apagado de voltaje extremo)

La eliminación de sobretensión de la SMP (Protección de serie multifase) de Furman prácticamente descarta las visitas de servicio técnico y el costoso “tiempo de inactividad”. Los circuitos de eliminación de sobretensión tradicionales se sacrifican ellos mismos cuando se ven expuestos a múltiples picos de sobrevoltaje transitorio, lo cual requiere la desmantelación de su sistema y la reparación de su eliminador de sobretensión. No sucede lo mismo con la SMP de Furman. Con SMP, los sobrevoltajes transitorios dañinos se absorben, sujetan y dispersan con seguridad. Su equipo conectado está protegido, mientras que su P-1800 AR ¡se protege a sí mismo!

El pinzamiento de voltaje incomparable es exclusivo de la SMP de Furman. Mientras que otros diseños ofrecen pinzamiento de voltaje por encima de 330 Vpk, la SMP de Furman lo hace a 188 Vpk, (133 VCA RMS), incluso cuando se prueban con múltiples sobretensiones de 6000 Vpk - 3000 amperes. Este nivel de protección sin precedentes está únicamente disponible con la tecnología de SMP de Furman. Además, el circuito confiable del EVS (Apagado de voltaje extremo) de Furman protege de las situaciones de sobrevoltaje catastrófico (como las demasiado frecuentes conexiones accidentales a 208 o 240 VCA o una conexión intermitente del neutro) mediante el corte de la electricidad entrante hasta que se corrija la situación de sobrevoltaje y se reinicie el interruptor de corriente.

LiFT (Tecnología de filtro lineal)

La tecnología de filtro lineal (LiFT) de Furman reduce el ruido de la línea de CA de una manera pareja y lineal a lo largo de una banda ultraancha, lo cual disminuye el ruido de fondo. Filtro de CA tradicional: los reguladores han sido diseñados para condiciones de laboratorio poco realistas, ya sean filtros de muchos polos o modo de serie convencional, las tecnologías anteriores, en realidad, podían dañar el desempeño de audio y video en lugar de mejorarlo, debido al pico resonante de sus diseños anticuados y no lineales. En ciertas situaciones, estos diseños pueden en realidad agregar más de 10 dB de ruido a la línea de CA entrante. Y lo que es peor aun, la pérdida de información digital, la necesidad de reiniciar las preconfiguraciones digitales o la destrucción de transformadores digitales, se producen con frecuencia por picos de sobrevoltaje excesivos y por el ruido de CA que interfiere con la conexión a tierra del equipo. La tecnología LiFT de Furman emplea un enfoque diferente, ya que asegura un rendimiento óptimo a través del filtro lineal sin interferencia o pérdida en la conexión a tierra.

CARACTERÍSTICAS ADICIONALES DEL P-1800 AR:

Además, el P-1800 AR ofrece un voltímetro digital de función dual con precisión de laboratorio que muestra el voltaje entrante en pasos de 1 voltio y funciona como un amperímetro de RMS que mide la corriente en décimos de amper. La exactitud del voltímetro es de ± 1.5 voltios y contiene un indicador de límite de voltaje tricolor. Esto informa al usuario si el voltaje se encuentra dentro o fuera de un rango seguro. El amperímetro mide con precisión el consumo de corriente para un análisis inmediato de los requisitos del sistema.

El P-1800 AR está equipado con nueve tomacorrientes regulados; un tomacorriente de CA de fácil acceso en el panel frontal y ocho tomacorrientes en el panel trasero. Tres de los tomacorrientes del panel trasero tienen un espacio de separación entre sí que deja lugar a la colocación de enchufes machos para el transformador (fuente de alimentación) y tienen lazos de “Correa de seguridad” de Velcro™ para fijar estos enchufes en su lugar. Todas las bases de tomacorrientes del panel trasero están aisladas eléctricamente entre sí para minimizar la diafonía entre los componentes.

La capacidad de 15 amperes del P-1800 AR está suministrada por un cable de CA resistente de 14awg, de 10 pies de longitud. El enchufe hembra BNC montado en la parte trasera acepta cualquier lámpara con cuello de cisne estándar (12VCA 0,5 amperes) para iluminar el estante trasero.

INFORMACIÓN DE SEGURIDAD

Para obtener los mejores resultados de su P-1800 AR de Furman, solicitamos que lea este manual con cuidado antes de utilizar el regulador.

ADVERTENCIA

Para reducir el riesgo de descarga eléctrica, no exponga el equipo a la lluvia o a la humedad. Hay altos voltajes peligrosos dentro de la caja. No retire la cubierta. Para cualquier reparación, recurra sólo a personal técnico capacitado. ¡El símbolo del rayo terminado en flecha sirve para advertir al usuario de la presencia de voltaje sin aislar dentro de la caja del producto que podría ser de tal magnitud que constituiría un riesgo de descarga eléctrica!

INSTRUCCIONES DE SEGURIDAD IMPORTANTES

(Lea antes de realizar la instalación)

1. Lea y observe todas las instrucciones de seguridad y de funcionamiento antes de instalar su P-1800 AR. Conserve estas instrucciones para poder consultarlas en el futuro.
2. El P-1800 AR no se debe utilizar cerca de donde haya agua, por ejemplo: cerca de bañeras, lavabos, fregaderos de cocina, recipientes para lavar ropa, en sótanos mojados o cerca de piscinas.
3. No coloque el P-1800 AR cerca de fuentes de alta temperatura, tales como radiadores, salidas de aire caliente, cocinas u otros electrodomésticos que produzcan altos niveles de calor.
4. Su P-1800 AR debe estar conectado únicamente a un tomacorriente con conexión a tierra de 120 VCA, 60Hz. No inhabilite la conexión a tierra ni cambie la polarización de la clavija del tomacorriente.
5. Coloque el cable de alimentación de CA y los otros cables de manera tal que nadie los pise, desconecte o sobrecargue. Preste especial atención al estado de los cordones y los cables en los enchufes y al punto en el que salen del regulador Furman. Para evitar riesgos de incendio o lesión, los cables dañados se deben reemplazar inmediatamente.
6. Limpie el P-1800 AR únicamente con un trapo húmedo. No utilice solventes ni limpiadores abrasivos. Nunca vierta líquidos sobre la unidad o dentro de esta.
7. Personal técnico capacitado debe realizar el mantenimiento de su P-1800 AR cuando:
 - el cable de suministro de electricidad o el enchufe se desgaste, se doble o se corte.
 - caigan objetos o se derrame líquido dentro de la unidad.
 - la unidad haya estado expuesta a la lluvia o a la humedad extrema.
 - la unidad parezca no estar funcionando normalmente.
 - el indicador "Protección correcta" no se encienda.
 - la unidad se haya soltado o la caja se haya dañado.
8. El P-1800 AR requiere la presencia de una superficie de apoyo segura para poder funcionar adecuadamente. Cualquier intento de poner la unidad en funcionamiento fuera de una superficie segura se considerará inadecuado y podría invalidar la garantía.
9. No intente realizar el mantenimiento de su P-1800 AR más allá de lo que se describe en este manual. Todas las otras tareas de servicio técnico las debe realizar personal técnico capacitado.

INSTALACIÓN

Debido al diseño toroidal del transformador, el Furman P-1800 AR se puede colocar cerca de casi cualquier otro equipo sin temor de que el otro equipo se vea afectado por el escape de un campo magnético fuerte de 50/60 Hz. Sin embargo, las ubicaciones sugeridas de los estantes son en la parte superior o en la parte inferior.

Como con cualquier equipo montado en estantes, asegúrese de utilizar tornillos mecánicos 10-32 para montar en los agujeros de colada del estante (esta no es una medida métrica). En particular, tenga cuidado con los tornillos 10-24, que pueden encajar si son forzados pero arrancarán las roscas. Para evitar estropear el acabado del panel frontal, use arandelas plásticas debajo de las cabezas de los tornillos.

FUNCIONAMIENTO***Voltímetro de corriente en RMS verdadero y voltaje digital atenuante/conmutable:***

La precisión de laboratorio del voltímetro de CA digital de Furman mide constantemente los voltajes de entrada dentro de una tolerancia típica de +/-1.5VCA. Se debe tener en cuenta que el registro de voltaje está determinado por la fuente de CA entrante.

El voltímetro de corriente en RMS verdadero de Furman mide constantemente la carga de CA del circuito total, con una tolerancia típica de +/-0.5 amperes. Como el voltímetro cuenta con la tecnología de RMS verdadero, los registros de corriente son precisos sin importar las condiciones de carga (capacitiva, inductiva o resistiva).

Para cambiar entre voltaje y corriente, presione el botón "Voltaje/corriente de la línea". Para cambiar la intensidad del visualizador,

mantenga presionado este botón durante dos segundos para recorrer las 3 etapas de brillo.

Indicador de límite de voltaje:

Este indicador de límite de voltaje tricolor se encuentra ubicado en el extremo inferior izquierdo del armazón de la lente del medidor digital de voltaje. Cuando el voltaje de CA se encuentra dentro de un rango de captura de 97-137V, el indicador tricolor será verde (óptimo), lo que indica que la unidad está regulada. Sin embargo, si el regulador se encuentra con una condición transitoria, el indicador se volverá ámbar (advertencia). Esta indicación ámbar aparece cuando hay cambios excesivos o repentinos en la entrada (+/-10 voltios). Si el voltaje entrante se encuentra más allá del límite de captura óptimo (por debajo de 97V o por encima de 137V), el indicador se pondrá de color rojo. Las advertencias en rojo indican que el voltaje entrante está lejos de ser óptimo y es mayor que el límite de captura que ofrece 120V constantes. En esta condición, el P-1800 AR seguirá regulando desde el último tomacorriente del autotransformador, proporcionando un voltaje de salida tan cercano a 120V como sea posible (por ejemplo un voltaje de entrada de 92V se equiparará con 110V a la salida). Al emplear el P-1800 AR en aplicaciones críticas donde los 120V son la preocupación principal, la indicación roja es invaluable.

Interruptor/disyuntor magnético de resistencia ultrabaja:

El interruptor/disyuntor con capacidad de 15 amperes de la serie Prestige de Furman está específicamente diseñado para soportar las enormes demandas de corriente de entrada de muchos amplificadores de potencia. Adicionalmente, los disyuntos magnéticos de Furman no son sensibles a la temperatura, ni tampoco aumentan la impedancia de CA como lo hacen muchos disyuntos térmicos menos costosos. Si se excede la capacidad de corriente RMS máxima de 15 amperes del P-1800 AR, el interruptor de resorte tensionado se reiniciará inmediatamente a la posición "Apagado". Deberá volver a colocarlo en la posición "Encendido" una vez que se haya corregido el problema (generalmente, al eliminar un componente) o hasta que la corriente RMS no exceda los 12 amperes - 1440 vatios.

Capacidad de corriente total (carga máxima y mínima):

El P-1800 AR puede manejar cargas totales de hasta 15 amperes siempre y cuando el voltaje de entrada sea igual o superior a 124 voltios. Para voltajes por debajo de ese nivel, su capacidad puede reducirse a aproximadamente 113 miliamperes por voltio. (Ver gráficos en la parte trasera de la página.) Por lo tanto, como asunto práctico y para sobrellevar con éxito las condiciones de apagones en los peores casos, debe planificar su carga total para que no exceda los 12 amperes o los 1400 vatios. Tenga en cuenta que esto se refiere al requisito de potencia agregada de todos los equipos conectados al P-1800 AR, no a cada artículo individual.

Indicador de Apagado de voltaje extremo:

El indicador de LED de voltaje extremo está por lo general apagado. Se encuentra ubicado dentro del armazón de la lente del medidor, justo arriba del LED azul del medidor de voltaje, aunque durante el uso normal NO estará visible.

El indicador de Voltaje extremo controla un peligro común de la industria del entretenimiento, así como también en la radiodifusión remota: las fallas en el cableado, tales como la conexión accidental a 208VCA donde se esperan 120 VCA o una serie de neutros abiertos de un servicio eléctrico de 208 a 240 VCA. El circuito del EVS de Furman detecta voltajes que son tan altos que el funcionamiento sería imposible y corta la corriente antes de que pueda producirse algún daño.

Cuando le aplique corriente por primera vez al P-1800 AR, el indicador de Voltaje extremo se iluminará con una luz roja brillante si el voltaje de entrada está por encima del corte de voltaje extremo. Cuando esto ocurra, no llevará electricidad a los tomacorrientes del P-1800 PF R. Si la unidad ha estado funcionando con un voltaje de entrada aceptable y, posteriormente, ese voltaje excede los 140V, cortará la electricidad de los tomacorrientes y se encenderá el LED del Voltaje extremo.

NOTA: Si la corriente de la red eléctrica supera el voltaje máximo de corte y ha causado que el circuito de EVS elimine electricidad de los tomacorrientes de Furman, entonces no se puede restaurar la corriente sin que el operador apague la unidad manualmente y, luego, la vuelva a encender. Evite volver a encender la unidad sin antes controlar la fuente del problema y, tal vez, de cambiar la fuente de CA.

Indicador de Protección correcta:

Aunque el circuito de SMP de Furman asegura una protección prácticamente sin mantenimiento para picos de sobrevoltaje y sobretensión transitorios, la naturaleza posee una manera de crear fuerzas eléctricas ocasionalmente que van más allá de las capacidades de absorber de NINGÚN dispositivo TVSS sin algún nivel de daño (tal como la caída directa de un rayo en una aplicación para exteriores). Si se produce esta extraña situación, el indicador de LED verde de "Protección correcta" (ubicado en el extremo derecho inferior del voltímetro) no se iluminará. Si esto sucede, habrá cierto nivel de protección de sobretensión, pero el nivel del pinzamiento de voltaje de Furman se verá comprometido. La unidad debe devolverse a Furman.

Cargador USB:

El cargador USB del P-1800 AR de Furman proporciona una manera sencilla de recargar muchos accesorios electrónicos conocidos, como así también dispositivos de comunicación celular si simplemente se conecta el cable cargador en el enchufe del panel frontal.

Tenga en cuenta lo siguiente: como actualmente existen muchas normas para la conexión USB, algunos dispositivos podrían no ser compatibles con nuestro cargador.

Conector BNC trasero:

El P-1800 AR de Furman presenta un enchufe hembra BNC en el estante trasero que aceptará cualquier armazón de lámpara con cuello de cisne de 12 VCA (0,5A) (como el GN-LED o GN-I de Furman). Simplemente, deslice el enchufe macho BNC por el enchufe hembra y gírelo en sentido horario hasta que el conector llegue a la posición de bloqueo. La lámpara del estante trasero se puede encender o apagar con el interruptor de luz trasero, el cual se encuentra junto al conector BNC.

Correas de seguridad (“Fuente de alimentación”) del enchufe del transformador:

El P-1800 AR de Furman presenta tres tomacorrientes de CA en el panel trasero que se encuentran bien espaciadas para poder enchufar los transformadores (fuentes de alimentación). Además, estos se pueden asegurar para su transporte con las Correas de seguridad de Velcro™ que vienen incluidas en la caja del producto. Primero, cada correa deber estar asegurada con el tornillo Philips que viene suministrado, y así la Correa de seguridad de Furman fijará la “fuente de alimentación” (transformador) en su lugar.

Bases aisladas del tomacorriente:

El P-1800 AR de Furman presenta ocho tomacorrientes en el panel trasero en 2 bases aisladas. Si va a conectar equipos digitales y análogos al P-1800 AR, se recomienda conectar el equipo análogo a la “Base A” y el equipo digital a la “Base B” (o viceversa) para minimizar la diafonía eléctrica.

LOCALIZACIÓN Y SOLUCIÓN DE PROBLEMAS

1.) Síntoma: No hay electricidad en el tomacorriente de CA; el indicador “Protección correcta” no está encendido.

Posible causa: Uno de los tomacorrientes de CA, al cual está conectado su P-1800 AR, no tiene voltaje de CA o se produjeron daños en el circuito de la unidad.

Medida que se debe tomar: Enchufe el P-1800 AR a un tomacorriente de CA donde haya 120 VCA nominales. Si el problema persiste, es posible que el circuito interno esté dañado, y la unidad requerirá servicio técnico de fábrica (consulte la sección “Servicio técnico” a continuación).

2.) Síntoma: El indicador de Voltaje extremo está encendido.

Posible causa: El voltaje de entrada está por encima de los 140 voltios, lo cual produce que se corte la electricidad que va a los tomacorrientes de la unidad.

SERVICIO TÉCNICO

Si tiene preguntas o problemas con respecto a su unidad Furman, puede comunicarse con el Departamento de Atención al Cliente de Furman al (707) 763-1010 que atiende de 8 a.m. a 4 p.m. (hora del Pacífico) o por correo electrónico a techsupport@furmansound.com. Si una unidad necesita servicio técnico, debe contar con un número de autorización de devolución asignado por el Departamento de Atención al Cliente de Furman.

Antes de devolver un equipo para su reparación, asegúrese de que esté embalado correctamente y protegido de los daños que pudiera sufrir durante el envío, y que esté asegurado. Le sugerimos que conserve la caja de embalaje original y que la utilice cuando envíe el producto para servicio técnico. Además, adjunte una nota breve en la que indique su nombre, domicilio, número de teléfono y una descripción del problema. Coloque su número de autorización de devolución en tamaño grande para que se vea bien, en el frente de todos los embalajes.

GARANTÍA LIMITADA DE 5 AÑOS

¡CONSERVE SU RECIBO DE VENTA! El recibo es su prueba de compra y confirma que el producto se compró en un distribuidor autorizado por Furman. Será necesario enviarlo a Furman para procesar cualquier reclamo de garantía.

Furman, una marca de Panamax Inc., garantiza su producto **P-1800 AR** (el “Producto”) de la siguiente manera:

Furman garantiza al comprador original del producto que el producto vendido de acuerdo con este documento no poseerá ningún defecto de material ni de mano de obra por un período de cinco años desde la fecha de compra. Si el producto no cumple con esta Garantía Limitada durante el período de garantía (como se especificó anteriormente en el presente), el comprador deberá notificar a Furman sobre los defectos reclamados a través de un llamado telefónico al 707-763-1010 o por correo electrónico (techsupport@furmansound.com). Si los defectos son de tal tipo o naturaleza que están cubiertos por esta garantía, Furman autorizará al comprador a devolver el producto a la oficina central de Furman. Los reclamos de garantía DEBEN estar acompañados por una copia de la factura

o recibo de compra originales que indiquen la fecha de compra. Los gastos de envío a la oficina central de Furman debe pagarlos por adelantado el comprador del producto. Furman deberá proveer, a su cargo, un producto de reemplazo o, si Furman lo decidiera, la reparación del producto defectuoso. Furman pagará los gastos de envío para devolverle el producto al comprador.

LO ANTERIOR SE CONSIDERA EN LUGAR DE TODAS LAS OTRAS GARANTÍAS, EXPRESAS O IMPLÍCITAS, ENTRE LAS QUE SE INCLUYEN EN LAS GARANTÍAS IMPLÍCITAS DE COMERCIALIZACIÓN O DE APTITUD PARA UN FIN DETERMINADO, SIN LIMITARSE A ELLAS.

Furman no ofrece garantía contra daños o defectos que surjan del uso inadecuado o de la manipulación anormal del producto, o contra defectos o daños que surjan de la instalación inadecuada. Furman podrá cancelar esta garantía a su entera discreción si el producto es modificado de alguna manera sin autorización previa de Furman o Panamax Inc. Esta garantía tampoco se aplica a productos que hayan sido reparados o hayan tenido un intento de reparación realizado por personas sin autorización escrita de Furman o Panamax Inc.

ESTA GARANTÍA ES EXCLUSIVA. La única y exclusiva obligación de Furman será reparar o reemplazar el producto defectuoso de la manera y por el período mencionado anteriormente. Furman no tendrá ninguna otra obligación con respecto a los productos ni a ninguna de sus piezas, ya sea que se base en el contrato, por daños, responsabilidad objetiva o de alguna otra forma. Bajo ninguna circunstancia, ya sea que esté basada en esta Garantía limitada o no, Furman será responsable por daños casuales, especiales o resultantes. Esta Garantía Limitada establece la entera obligación de Furman con respecto al producto. Si alguna parte de esta Garantía Limitada se determinara como inválida o ilegal, el resto continuará en plena vigencia y efecto.

ESPECIFICACIONES

CORRIENTE MÁXIMA DE SALIDA: 15 amperes a 124 voltios

CABLE DE LÍNEA: cable cautivo de 3/14 AWG, de 10 pies, color negro, con enchufe NEMA 15

ENCHUFE HEMBRA BNC CON INTERRUPTOR PARA LÁMPARA DE ESTANTE TRASERO: de 12VCA 500mA máx. (la lámpara no está incluida)

EN RANGO DE REGULACIÓN: 97 a 137 VCA

APAGADO DE SOBREVOLTAJE: 140 VCA nominales

MODOS DE PROTECCIÓN CONTRA PICOS DE SOBREVOLTAJE: línea a neutro, sin pérdida en conexión a tierra

PINZAMIENTO DE VOLTAJE DE SUJECIÓN PARA PICOS: 188 VCA máximo a 3000 amperes

TIEMPO DE RESPUESTA: 1 nanosegundo

SOBRECORRIENTE MÁXIMA: 6500 AMPERES

ATENUACIÓN DEL RUIDO: 10 dB a 10kHz, 40 dB a 100kHz, 50 dB a 500kHz

DIMENSIONES: 19" de ancho x 12,0" de profundidad x 1,745" de alto

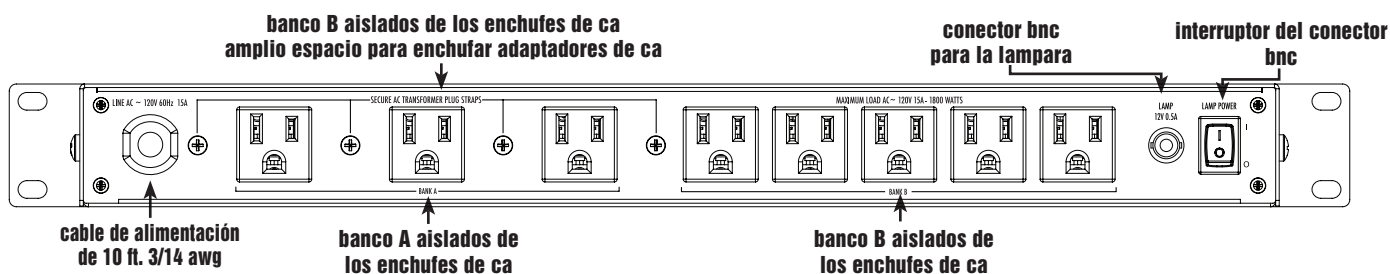
PESO: 15 libras. (7 kg)

CONSUMO DE ELECTRICIDAD: (sin carga) 5 vatios

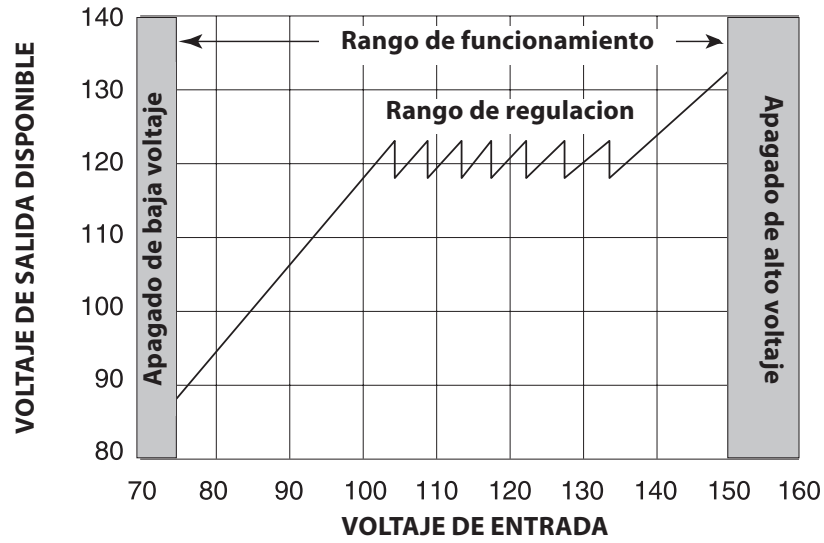
P-1800 AR PANEL DELANTERO



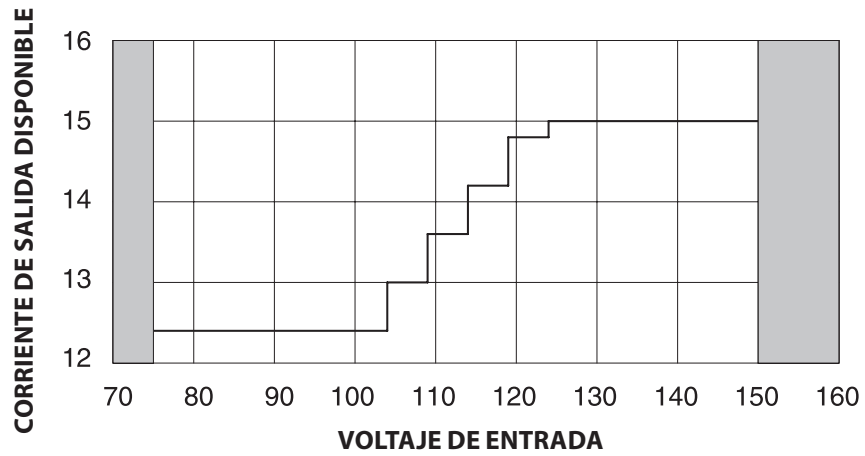
P-1800 AR PANEL POSTERIOR



GAMA DEL VOLTAJE DE AR



CORRIENTE DE SALIDA DE AR



NOTAS:

FURMAN[®]

1690 Corporate Circle • Petaluma, California, USA 94954

Phone: 877-486-4738 • Fax: 707-763-1310

www.FurmanSound.com