



4K Ultra HD ELR-POL Extender w/ RS-232, Ethernet and 2-way IR

EXT-UHD-CAT5-ELRPOL

User Manual



Release A5

Important Safety Instructions

1. Read these instructions.
2. Keep these instructions.
3. Heed all warnings.
4. Follow all instructions.
5. Do not use this product near water.
6. Clean only with a dry cloth.
7. Do not block any ventilation openings. Install in accordance with the manufacturer's instructions.
8. Do not install or place this product near any heat sources such as radiators, heat registers, stoves, or other apparatus (including amplifiers) that produce heat.
9. Do not defeat the safety purpose of the polarized or grounding-type plug. A polarized plug has two blades with one wider than the other. A grounding type plug has two blades and a third grounding prong. The wide blade or the third prong are provided for your safety. If the provided plug does not fit into your outlet, consult an electrician for replacement of the obsolete outlet.
10. Protect the power cord from being walked on or pinched particularly at plugs, convenience receptacles, and the point where they exit from the apparatus.
11. Only use attachments/accessories specified by the manufacturer.
12. To reduce the risk of electric shock and/or damage to this product, never handle or touch this unit or power cord if your hands are wet or damp. Do not expose this product to rain or moisture.
13. Unplug this apparatus during lightning storms or when unused for long periods of time.
14. Refer all servicing to qualified service personnel. Servicing is required when the apparatus has been damaged in any way, such as power-supply cord or plug is damaged, liquid has been spilled or objects have fallen into the apparatus, the apparatus has been exposed to rain or moisture, does not operate normally, or has been dropped.
15. Batteries that may be included with this product and/or accessories should never be exposed to open flame or excessive heat. Always dispose of used batteries according to the instructions.

Warranty Information

Gefen warrants the equipment it manufactures to be free from defects in material and workmanship.

If equipment fails because of such defects and Gefen is notified within two (2) years from the date of shipment, Gefen will, at its option, repair or replace the equipment, provided that the equipment has not been subjected to mechanical, electrical, or other abuse or modifications. Equipment that fails under conditions other than those covered will be repaired at the current price of parts and labor in effect at the time of repair. Such repairs are warranted for ninety (90) days from the day of reshipment to the Buyer.

This warranty is in lieu of all other warranties expressed or implied, including without limitation, any implied warranty or merchantability or fitness for any particular purpose, all of which are expressly disclaimed.

1. Proof of sale may be required in order to claim warranty.
2. Customers outside the US are responsible for shipping charges to and from Gefen.
3. Copper cables are limited to a 30 day warranty and cables must be in their original condition.

The information in this manual has been carefully checked and is believed to be accurate. However, Gefen assumes no responsibility for any inaccuracies that may be contained in this manual. In no event will Gefen be liable for direct, indirect, special, incidental, or consequential damages resulting from any defect or omission in this manual, even if advised of the possibility of such damages. The technical information contained herein regarding the features and specifications is subject to change without notice.

For the latest warranty coverage information, refer to the Warranty and Return Policy under the Support section of the Gefen Web site at www.gefen.com.

Technical Support

(818) 772-9100 (800) 545-6900
8:00 AM to 5:00 PM Monday - Friday, Pacific Time

Fax

(818) 772-9120

Email

support@gefen.com

Web

<http://www.gefen.com>

Mailing Address

Gefen, LLC
c/o Customer Service
20600 Nordhoff St.
Chatsworth, CA 91311

Product Registration

Register your product here: <http://www.gefen.com/kvm/Registry/Registration.jsp>

- Gefen recommends using CAT-5e (or better) cables.
- Resolution will affect extension distance. 1080p Full HD can be extended up to 495 feet (150 meters) and is limited to 8-bit color depth. 4K resolutions can be extended up to 330 feet (100 meters). See [HDBT \(HDBaseT™\) Mode \(page 17\)](#) for details.
- Power Over Line (POL) is a Gefen proprietary technology that provides power to the Receiver unit over a single CAT-5e (or better) cable. The included power supply can be connected to either the Sender or Receiver unit. *Never connect a power supply to both the Sender and Receiver unit.*
- This product passes through the display's EDID to the source. If the display is capable of accepting Deep Color, the source must be manually configured to output 8-bit color. This is only applicable when using 4K x 2K resolutions and "long-run" modes. See [HDBT \(HDBaseT™\) Mode \(page 17\)](#) for more information.

4K Ultra HD ELR-POL Extender w/ RS-232, Ethernet, and 2-way IR is a trademark of Gefen, LLC.

© 2015 Gefen, LLC. All Rights Reserved. All trademarks are the property of their respective owners.

Gefen, LLC reserves the right to make changes in the hardware, packaging, and any accompanying documentation without prior written notice.



This product uses UL or CE listed power supplies.

Features

- Extends 4K Ultra HD (3840 x 2160 @ 60Hz, 4:2:0 or @ 30Hz, 4:4:4), Ethernet, RS-232, and Bi-Directional IR over a single CAT-5e cable up to 330 feet/100 meters (8-bit color)
- Extends 4K Cinema (DCI) (4096 x 2160 @ 24 or 30Hz 4:4:4), Ethernet, RS-232, and Bi-Directional IR over a single CAT-5e cable up to 330 feet/100 meters (8-bit color)
- Extends HDMI at 1080p Full HD, Ethernet, RS-232, and Bi-Directional IR over a single CAT-5e cable up to 330 feet/100 meters (up to 12-bit Deep Color)
- Extends HDMI at 1080p Full HD, Ethernet, RS-232, and Bi-Directional IR over a single CAT-5e cable up to 495 feet/150 meters (8-bit color)
- HDMI Features Supported:
 - ▶ HDMI 2.0
 - ▶ HDCP 2.2 and 1.4
 - ▶ 12-bit Deep Color
 - ▶ LPCM 7.1 audio, Dolby® TrueHD, and DTS-HD Master Audio™ pass-through
 - ▶ 3DTV pass-through
 - ▶ CEC pass-through
 - ▶ Lip Sync pass-through
- RS-232 Extension
- IR extension from Sender to Receiver and from Receiver to Sender
- Gefen Bi-Directional POL feature provides power to the Sender or the Receiver unit over the link cable - only one side needs external power
- Uses Gefen's implementation of HDBaseT™ technology
- Advanced EDID Management
- Firmware upgradable via RS-232
- Locking power connector
- Surface mountable

HDMI® 2.0

1080P
PROGRESSIVE



4K ULTRA HD
60Hz, 4:2:0

HDCP 2.2



Packing List

The following items are shipped with the 4K Ultra HD ELR-POL Extender w/ RS-232, Ethernet, and 2-way IR. If any of these items are not present in the box when you first open it, immediately contact your dealer or Gefen.

- 1 x 4K Ultra HD ELR-POL Extender w/ RS-232, Ethernet, and 2-way IR (Sender unit)
- 1 x 4K Ultra HD ELR-POL Extender w/ RS-232, Ethernet, and 2-way IR (Receiver unit)
- 1 x 6 ft. locking HDMI cable (M-M)
- 1 x IR extender
- 1 x IR emitter
- 1 x Adapter: 3-pin Phoenix-to-DB-9 (M-F)
- 1 x Adapter: 3-pin Phoenix-to-DB-9 (M-M)
- 1 x 24V DC locking power supply
- 1 x Quick-Start Guide

1 Getting Started

Introduction.....	2
Sender Unit	2
Receiver Unit.....	4
Installation	6
Connection Instructions.....	6
Sample Wiring Diagram	7

2 Basic Operation

LED Status	10
Bidirectional IR Control.....	11
Controlling the Source from the Viewing Location	11
Controlling the Display from the Source Location	12
Controlling the Source / Display from Different Locations.....	13
DIP Switch Configuration	14
EDID Management.....	15
HPD Mode.....	16
HDBT (HDBaseT™) Mode.....	17
RS-232 Mode	17

3 Advanced Operation

RS-232 Setup.....	20
Connecting RS-232 Devices	20
Commands.....	21

4 Appendix

Updating the Firmware	28
Single Update Procedure	28
Individual Update Procedure.....	30
Surface Mounting Instructions.....	32
Network Cable Diagram	33
Specifications	34
Index.....	35

This page left intentionally blank.

This page left intentionally blank.

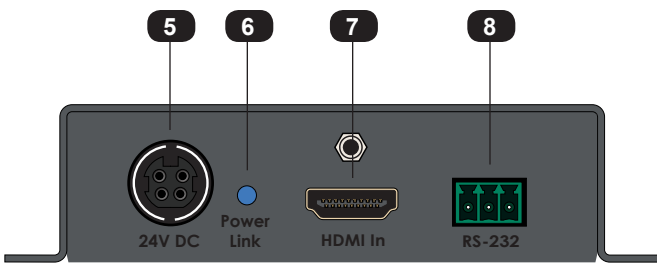
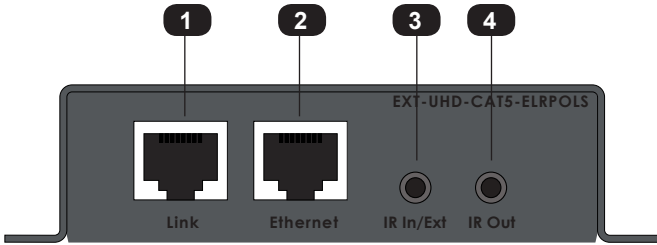
4K Ultra HD ELR-POL Extender w/ RS-232, Ethernet and 2-way IR

1

Getting Started

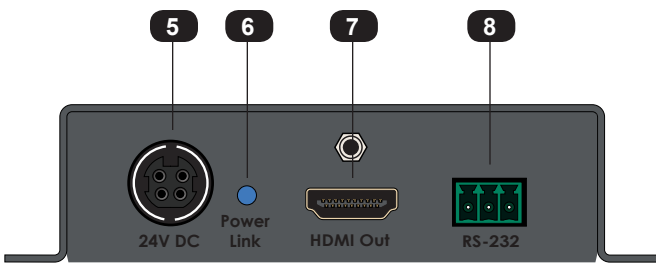
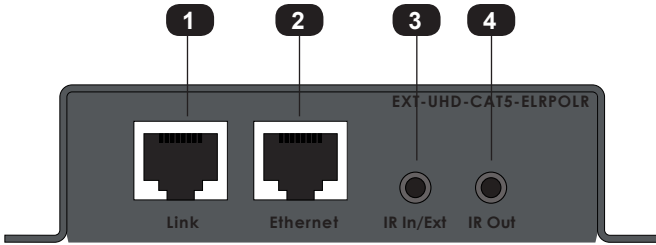
Introduction.....	2
Sender Unit	2
Receiver Unit.....	4
Installation	6
Connection Instructions.....	6
Sample Wiring Diagram	7

Sender Unit



ID	Name	Description
1	Link	Connect a CAT-5e cable (or better), up to 495 feet (150 meters), from this port to the Link port on the Receiver unit.
2	Ethernet	Connect a CAT-5e cable (or better) from this port to the network.
3	IR In/Ext	<p>3.5mm mini-stereo jack. Connect an IR Extender (Gefen part no. EXT-RMT-EXTIRN) to this port. Alternatively, connect a 3.5mm mini-stereo connector from this port to the output of an automation system with an electrical IR output.</p> <p>See Bidirectional IR Control (page 11) for more information on using IR.</p>
4	IR Out	<p>Connect the included IR emitter from this port to the IR sensor of the device to be controlled.</p> <p>See Bidirectional IR Control (page 11) for more information on using IR.</p>
5	24V DC	Connect the included 24V DC power supply to this power receptacle.
6	Power Link	This LED indicator displays the current state of the Sender unit. See LED Status (page 10) for more information.
7	HDMI In	Use the included HDMI cable to connect an Ultra Hi-Def source to this HDMI port.
8	RS-232	Connect the included RS-232 adapter cable from this port to the automation device.

Receiver Unit



ID	Name	Description
1	Link	Connect a CAT-5e cable (or better), up to 495 feet (150 meters), from this port to the Link port on the Sender unit.
2	Ethernet	Connect a CAT-5e cable (or better) from this port to the network.
3	IR In/Ext	3.5mm mini-stereo jack. Connect the included IR extender to this port. Alternatively, connect a 3.5mm mini-stereo connector from this port to the output of an automation system with an electrical IR output. See Bidirectional IR Control (page 11) for more information on using IR.
4	IR Out	Connect an IR emitter (Gefen part no. EXT-IREMIT) from this port to the IR sensor of the device to be controlled. See Bidirectional IR Control (page 11) for more information on using IR.
5	24V DC	This power receptacle can be used to connect the included 24V DC power supply. Only one power supply is required. The power supply can be connected to either the Sender or Receiver unit. It is recommended to connect the power supply to the Sender unit.
6	Power Link	This LED indicator displays the current state of the Receiver unit. See LED Status (page 10) for more information.
7	HDMI Out	Connect an HDMI cable from this port to an Ultra-HD display.
8	RS-232	Connect the included RS-232 adapter cable from this port to the device to be controlled.

Connection Instructions

▶ Video

1. Connect the included HDMI cable between the Ultra Hi-Def source and the **HDMI In** port on the Sender unit.
2. Connect an Ultra HD display to the **HDMI Out** port on the Receiver unit using another HDMI cable.

▶ CAT-5 / Ethernet

3. Connect a CAT-5e (or better) cable, up to 495 feet (150 meters) from the **Link** port on the Sender unit and the **Link** port on the Receiver unit.



Information

Resolution will affect extension distance. 1080p Full HD can be extended up to 495 feet (150 meters) and is limited to 8-bit color depth. 4K resolutions can be extended up to 330 feet (100 feet). Refer to **HDBT (HDBaseT™) Mode** (page 17) for details.

4. Connect an Ethernet cable from the **Ethernet** port on the Sender unit to the network.
5. Connect an Ethernet cable from the **Ethernet** port on the Receiver unit to the network.

▶ IR

6. Refer to **Bidirectional IR Control** (page 11) for details on connecting IR devices.

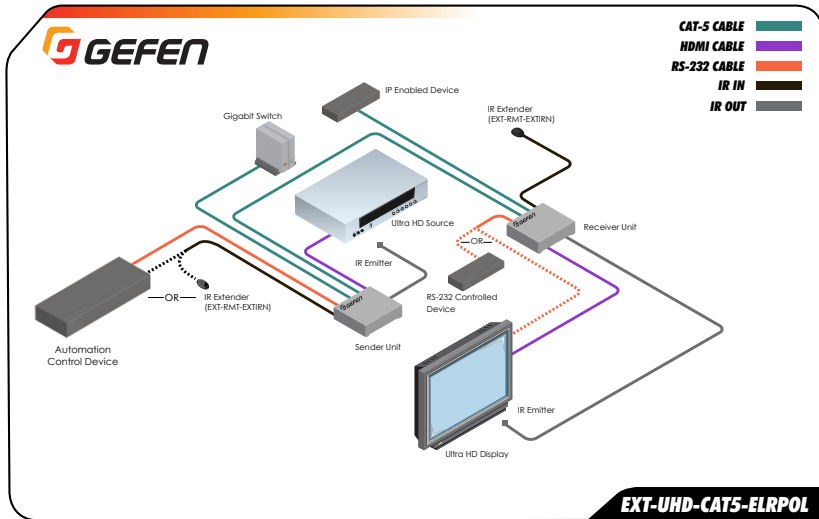
▶ RS-232

7. Connect the included 3-pin Phoenix-to-DB-9 (female) cable between the RS-232 controller and the Sender unit.
8. Connect the included 3-pin Phoenix-to-DB-9 (male) cable between the RS-232 device and the Receiver unit.

▶ Power

9. Connect the included 24V DC power supply to the power receptacle on *either* the Sender or Receiver unit.
10. Connect the opposite end of the power supply to an available electrical outlet.

Sample Wiring Diagram



Information

The wiring diagram, shown above, requires an additional IR emitter (Gefen part no. EXT-IREMIT) and IR extender (Gefen part no. EXT-RMT-EXTIRN).

This page left intentionally blank.




4K Ultra HD ELR-POL Extender w/ RS-232, Ethernet and 2-way IR

2 Basic Operation

LED Status	10
Bidirectional IR Control.....	11
Controlling the Source from the Viewing Location	11
Controlling the Display from the Source Location	12
Controlling the Source / Display from Different Locations.....	13
DIP Switch Configuration	14
EDID Management.....	15
HPD Mode.....	16
HDBT (HDBaseT™) Mode.....	17
RS-232 Mode	17

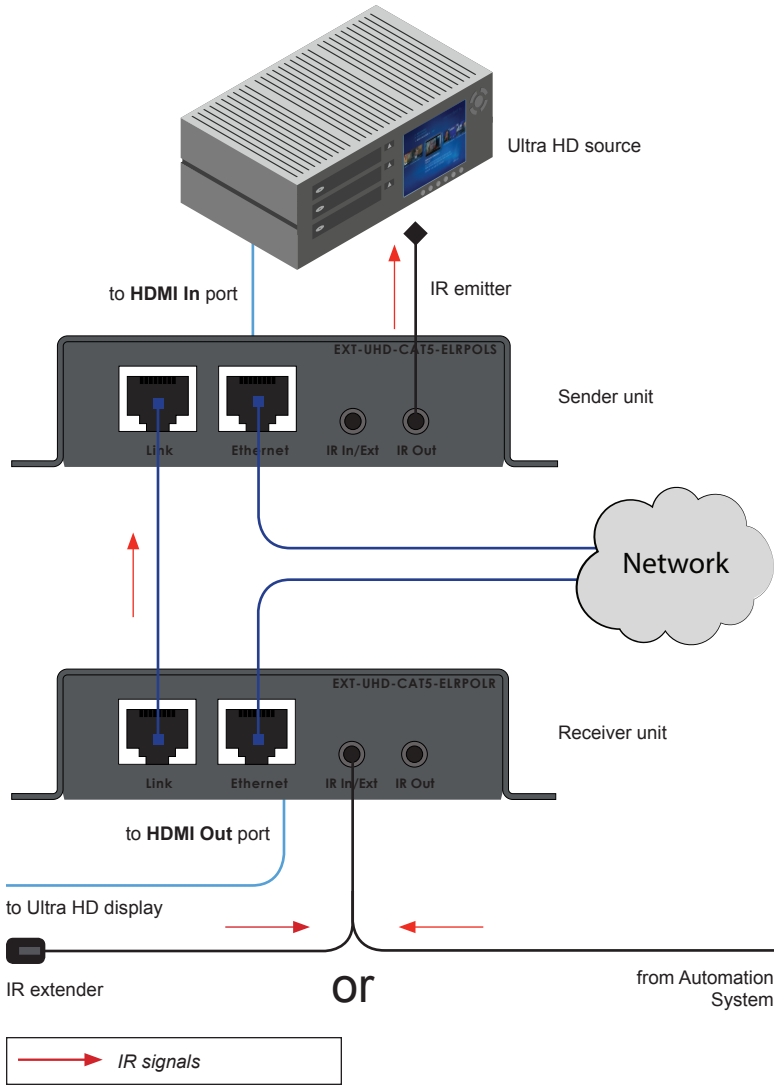
The **Power Link** LED indicator on the Sender and Receiver unit provides basic information on the current status of the 4K Ultra HD ELR-POL Extender w/ RS-232, Ethernet, and 2-way IR.

The information, in the table below, applies to both the Sender and Receiver unit.

Status		Description
Solid blue		<ul style="list-style-type: none">The Sender / Receiver unit is powered.Link integrity between Sender and Receiver unit is good.
Solid green		<ul style="list-style-type: none">Link integrity is compromised.Check the cable between the Link port on the Sender and Receiver unit.Also check the cable connected between Ethernet port and the network, on both the Sender and Receiver unit.
Flashes blue / green		<ul style="list-style-type: none">Source device is not connected to the Sender unit.Display (sink) device not connected to the Receiver unit.

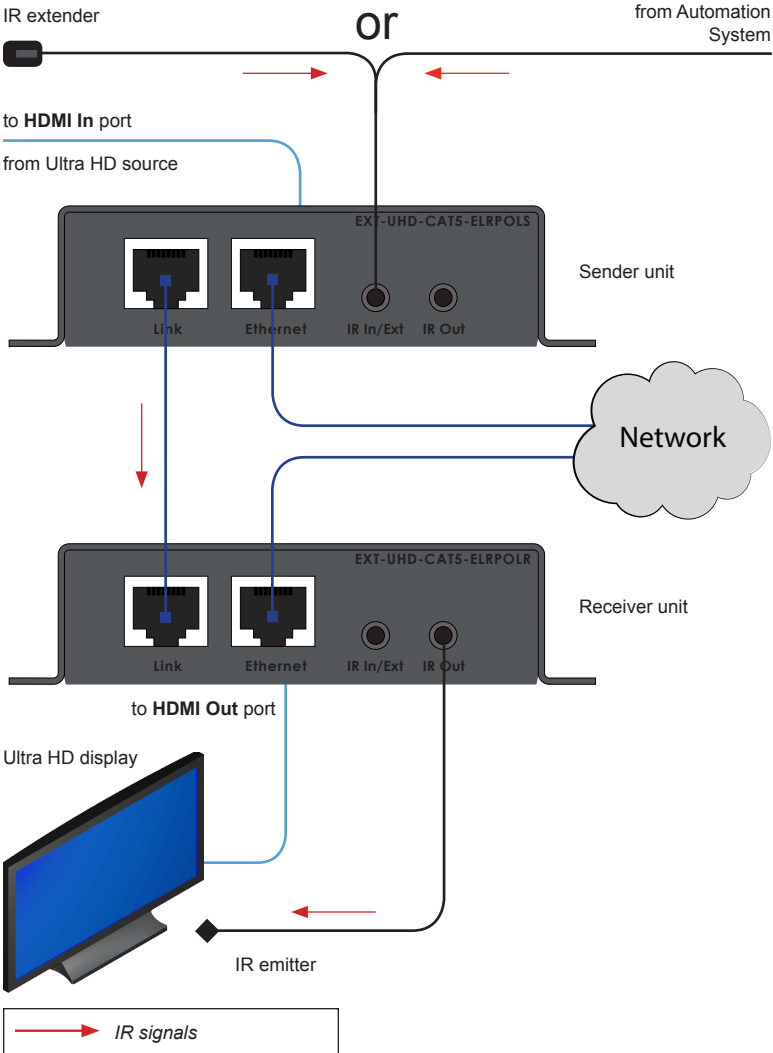
Controlling the Source from the Viewing Location

1. Connect the included IR extender to the **IR In/Ext** port on the Receiver unit. If using an automation system, connect the 3.5mm mini-stereo connector from the **IR In/Ext** port on the Receiver unit to the automation system. IR signals are transmitted over the Link cable.
2. Connect the included IR emitter from the **IR Out** port, on the Sender unit, to the IR sensor window on the source device.



Controlling the Display from the Source Location

1. Connect the included IR extender to the IR In/Ext port on the Sender unit. If using an automation system, connect the 3.5mm mini-stereo connector from the **IR In/Ext** port on the Receiver unit to the automation system. IR signals are transmitted over the **Link** cable.
2. Connect the included IR emitter from the **IR Out** port on the Receiver unit to the IR sensor on the display. IR signals are transmitted over the **Link** cable.



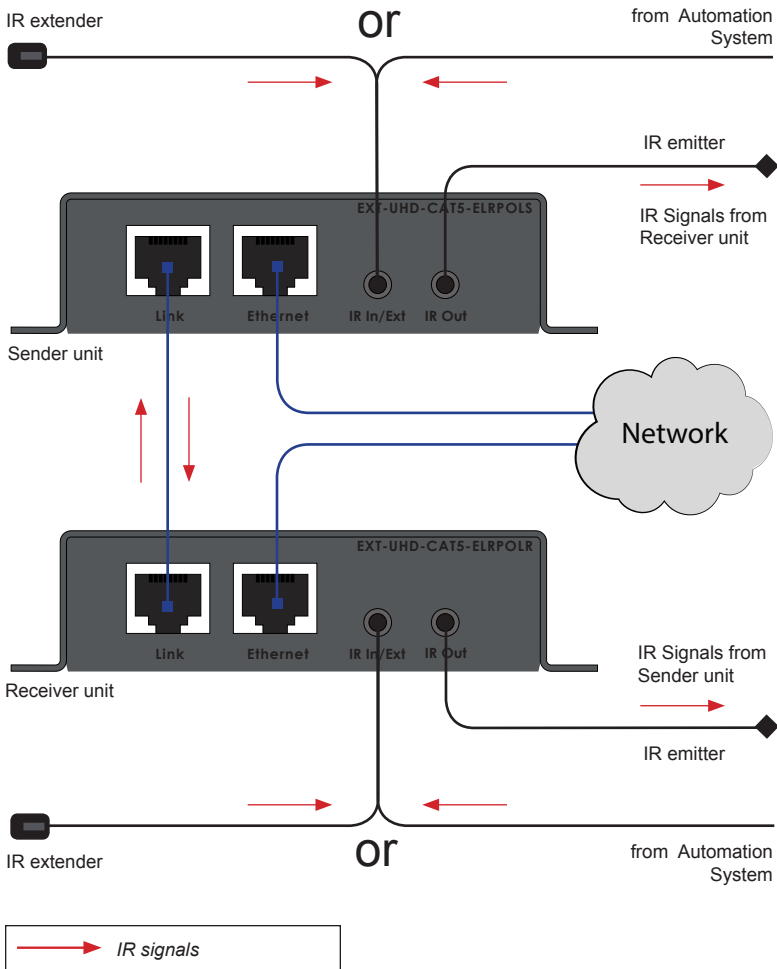
Controlling the Source / Display from Different Locations



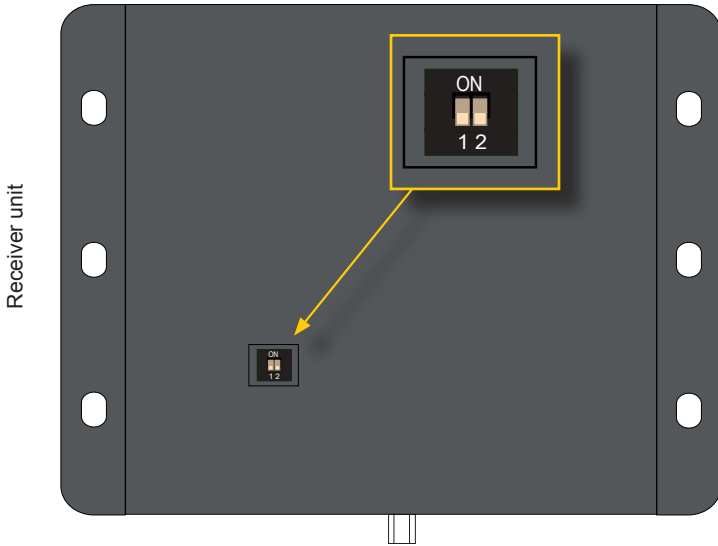
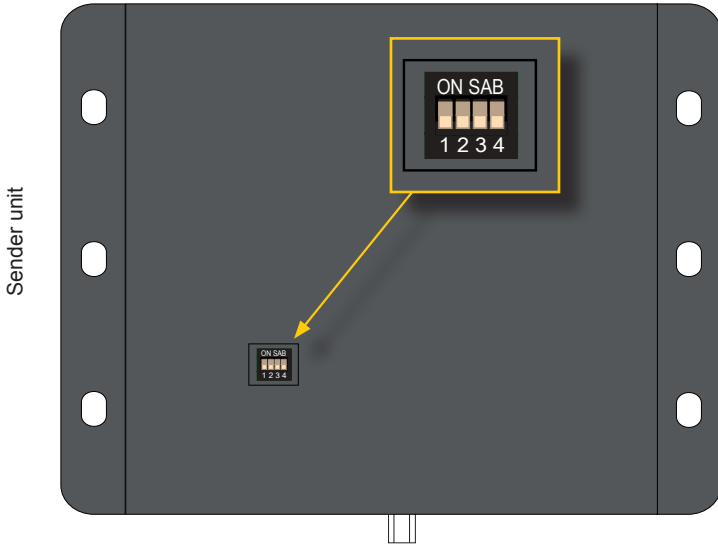
Information

Additional IR extenders (Gefen part no. EXT-RMT-EXTIRN) and IR emitters (Gefen part no. EXT-IREMIT) will be required for this configuration.

Using bidirectional IR, the 4K Ultra HD ELR-POL Extender w/ RS-232, Ethernet, and 2-way IR allows the source and/or display to be controlled from the Sender or Receiver unit. Refer to the diagram, below, for connection details. The video (HDMI) cables have been removed for clarity. IR signals are transmitted over the **Link** cable.



On the bottom of both the Sender and Receiver unit are a set of DIP switches. The Sender unit has a bank of four DIP switches. The Receiver unit has a bank of two DIP switches. See the following pages for DIP switch settings.



Each of the following sections describe the DIP switch settings that control each feature. DIP switches that are not related to a specific feature have been grayed-out. Note that DIP switch settings can be used independently or in conjunction with other features, as desired.



Information

DIP switch 2, on the Receiver unit, is not used and is reserved for optional future expansion.


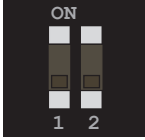

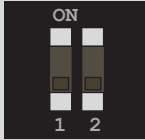
EDID Management

The 4K Ultra HD ELR-POL Extender w/ RS-232, Ethernet, and 2-way IR provides EDID management. The Sender unit can use the EDID from the sink device (downstream EDID) or the built-in default EDID.

Description	Sender unit	Receiver unit
<p>External EDID mode (default)</p> <ul style="list-style-type: none"> Allows all video and audio features of the connected device to be passed to the source device. 		
<p>Internal EDID mode</p> <ul style="list-style-type: none"> Copies the downstream EDID locally in HDBT mode. Modifies downstream EDID to support only up to 1080p60 8-bit in Long Reach mode. See HDBT (HDBaseT™) Mode (page 17) for more information. 		

HPD Mode

HPD (Hot-Plug Detect) is an HDMI feature that senses if the HDMI cable is disconnected from the source or sink device. Once this occurs, the HDMI link is re-initialized if necessary. The 4K Ultra HD ELR-POL Extender w/ RS-232, Ethernet, and 2-way IR allows you to control the way HPD is handled.

Description	Sender unit	Receiver unit
<p>HPD High</p> <ul style="list-style-type: none"> Both DIP switch 1 and 2 must be in the down (OFF) position when setting HPD high. HPD is <i>always</i> high, even when the display is hot-plugged (disconnected from then reconnected to the source device). 		
<p>HPD Pass-through</p> <ul style="list-style-type: none"> DIP switch 2 must be in the up (ON) position when setting HPD pass-through. The position of DIP switch 1 is ignored and can be in the up (ON) or down (OFF) position. HPD will toggle, depending on the HPD status of the display (sink) or source device. 		

HDBT (HDBaseT™) Mode

1080p Full HD can be extended up to 495 feet (150 meters) and is limited to 8-bit color depth. 4K resolutions can be extended up to 330 feet (100 meters) with deep color.

Description	Sender unit	Receiver unit
<p>Normal mode (default)</p> <ul style="list-style-type: none"> Allows all resolutions, up to 4K x 2K, to be extended up to 330 feet (100 meters). 		
<p>Long-reach mode</p> <ul style="list-style-type: none"> Allows resolutions up to 1080p Full HD, at 8-bit, to be extended to a maximum distance of 495 feet (150 meters). 		

RS-232 Mode

Toggles between RS-232 pass-through mode and service mode.

Description	Sender unit	Receiver unit
<p>Pass-through mode (default)</p> <ul style="list-style-type: none"> RS-232 data is passed between the Sender and Receiver unit. 		
<p>Service mode</p> <ul style="list-style-type: none"> Used to upgrade the firmware. See Updating the Firmware (page 28) for details. 		

This page left intentionally blank.

4K Ultra HD ELR-POL Extender w/ RS-232, Ethernet and 2-way IR

3

Advanced Operation

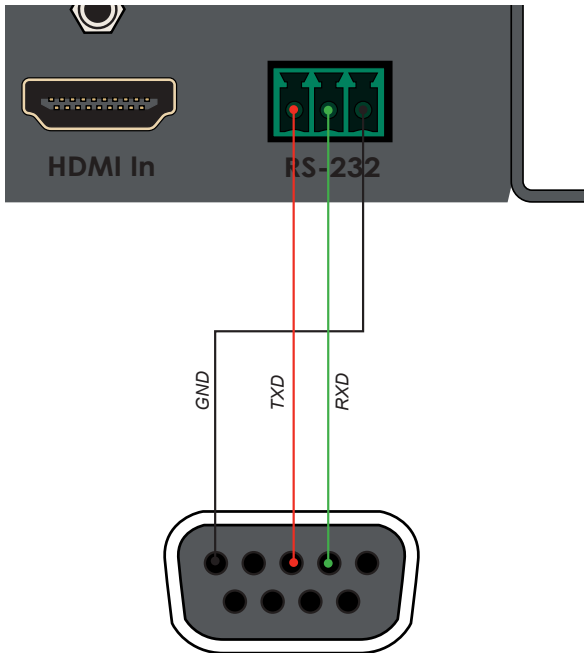
RS-232 Setup	20
Connecting RS-232 Devices	20
Commands	21

Connecting RS-232 Devices

The 4K Ultra HD ELR-POL Extender w/ RS-232, Ethernet, and 2-way IR supports RS-232 pass-through, allowing the control of RS-232 devices using an automation system. The RS-232 interface is also used to upgrade the firmware and provides a small set of RS-232 commands. See [Updating the Firmware \(page 28\)](#) for details.

1. Connect the included 3-pin Phoenix-to-DB-9 (M-F) adapter cable from the Sender unit to the automation device.
2. Connect the included 3-pin Phoenix-to-DB-9 (M-M) adapter cable from the Receiver unit to the device to be controlled.

The following diagram shows the pin-out of the RS-232 port on the Sender unit. Note that only TXD (Transmit Data), RXD (Receive Data), and GND (Signal Ground) pins are used.



Important

When sending RS-232 commands, a CR (0x0D) must be included.

Command	Description
<code>#fw_upgrade</code>	Used to upgrade the firmware
<code>#hdcp</code>	Enables / disables HDCP detection
<code>#help</code>	Displays a list of available RS-232 commands
<code>#power_always</code>	Enables / disables "power always" mode

#fw_upgrade

Used to upgrade the firmware. See [Updating the Firmware \(page 28\)](#) for information on using this command.

Syntax

```
#fw_upgrade param1
```

Parameters

None

Example

See [Updating the Firmware \(page 28\)](#) for information on using this command.

#hdcp

Enables / disables HDCP detection on the input. Some computers will enable HDCP if an HDCP-compliant display is detected. Set *param1* = 0 to force the computer to ignore detection of an HDCP-compliant display.



Information

Setting *param1* = 0 (HDCP disabled) does *not* decrypt HDCP content.

Syntax

```
#hdcp param1
```

Parameters

param1 Integer [0 ... 1]

Value	Description
0	Disable HDCP
1	Enable HDCP

Example

```
#hdcp 0
```

```
Disable HDCP  
stop HDCP/EDID detect
```


#help

The `#help` command displays the list of available RS-232 commands. Help on a specific command can be displayed when using `param1`.

Syntax

```
#help param1
```

Parameters

<i>param1</i>	Command name (optional)
---------------	-------------------------

Example

```
#help
```

```
Available cmds:
```

```
#help  
#fw_upgrade  
#hdcp  
#power_always
```

```
#help #hdcp
```

```
Cmd #hdcp: Change HDCP mode  
Syntax: #hdcp param1  
Param1 = 0(disable hdcp)/1(enable hdcp)
```

#power_always

Sets the power mode. The unit must be rebooted after changing the power mode.

Syntax

```
#power_always param1
```

Parameters

param1 Integer [0 ... 1]

Value	Description
0	Power save
1	Power always

Example

```
#power_always 1
```

Set Power always mode

To change power mode, Please reboot the unit

This page left intentionally blank.

This page left intentionally blank.

4K Ultra HD ELR-POL Extender w/ RS-232, Ethernet and 2-way IR

4

Appendix

Updating the Firmware	28
Single Update Procedure	28
Individual Update Procedure	30
Surface Mounting Instructions	32
Network Cable Diagram	33
Specifications	34
Index	35

There are two methods for updating the 4K Ultra HD ELR-POL Extender w/ RS-232, Ethernet, and 2-way IR. The recommended method is to update both units at the same time by leaving the Sender and Receiver unit connected. Updating the Sender unit will update the Receiver unit (or vice versa). The second method is to update the Sender and Receiver unit separately.

Single Update Procedure

This method is recommended and can be used in situations where disconnecting the system is impractical or difficult. The power supply must be connected to either the Sender or Receiver unit. The update procedure can take place at the Sender or Receiver location.

1. Download the latest firmware here: <http://www.gefen.com/support/download.jsp>
2. Extract the contents of the .zip file to the desktop on your computer.
3. Disconnect the power supply from the Sender (or Receiver) unit.
4. Set the following DIP switches on the Sender and Receiver units:

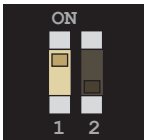
► Sender unit

Set DIP switch 4, on the bottom of the Sender unit, to the ON position:



► Receiver unit

Set DIP switch 1, on the bottom of the Receiver unit, to the ON position:



5. Connect the included RS-232 cable between the Sender (or Receiver) unit and the computer.
6. Launch a terminal emulation program. In this example, we will be using Windows® Hyperterminal.

7. Assign the following serial port settings in Hyperterminal:

Description	Setting
Baud rate	19200
Data bits	8
Parity	None
Stop bits	1
Hardware flow control	None

8. Reconnect the power supply to the Sender (or Receiver) unit.
9. Type the following in the terminal application:

```
#fw_upgrade
```
10. Press the [ENTER] key.
11. When prompted, press 1 on the computer keyboard.
12. Click **Transfer > Send File...**
13. Select the firmware file: `ELR_BIDIR_[version].bin`.
14. Select the YModem protocol and click the **Send** button.
15. After the upgrade process is complete, the unit will automatically reboot.
16. Both the Sender and Receiver units are now updated.

Individual Update Procedure

This method requires that the Sender and Receiver unit are updated separately. Unless there is a specific reason, the [Single Update Procedure \(page 28\)](#) is recommended.

1. Download the latest firmware here: <http://www.gefen.com/support/download.jsp>
2. Extract the contents of the .zip file to the desktop on your computer.
3. Disconnect the Sender and Receiver unit from the system. Make sure the power is disconnected from both the Sender and Receiver unit.
4. Set the following DIP switches on the Sender and Receiver units:

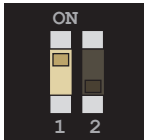
► Sender unit

Set DIP switch 4, on the bottom of the Sender unit, to the ON position:



► Receiver unit

Set DIP switch 1, on the bottom of the Receiver unit, to the ON position:



5. Connect the included RS-232 cable between the unit and the computer.
6. Launch a terminal emulation program. In this example, we will be using Windows® Hyperterminal.

(continued on next page)

- Assign the following serial port settings in Hyperterminal:

Description	Setting
Baud rate	19200
Data bits	8
Parity	None
Stop bits	1
Hardware flow control	None

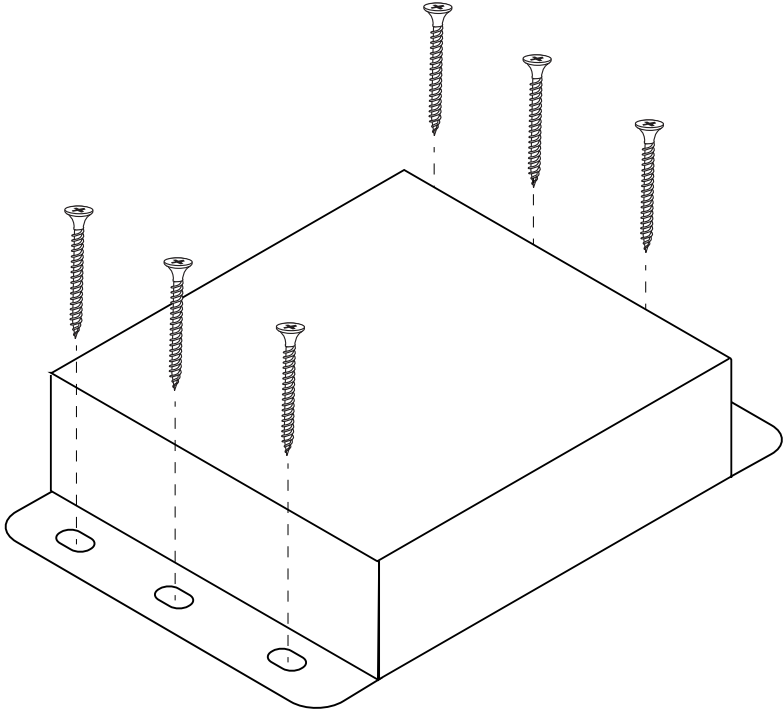
- Connect the power supply to the unit.
- Type the following in the terminal application:

```
#fw_upgrade
```
- Press the [ENTER] key.
- When prompted, press 1 on the computer keyboard.
- Click **Transfer > Send File...**
- Select the firmware file: `ELR_BIDIR_[version].bin`.
- Select the YModem protocol and click the **Send** button.
- After the upgrade process is complete, the unit will automatically reboot.
- Connect the RS-232 cable to the other unit and repeat steps 8 - 15.

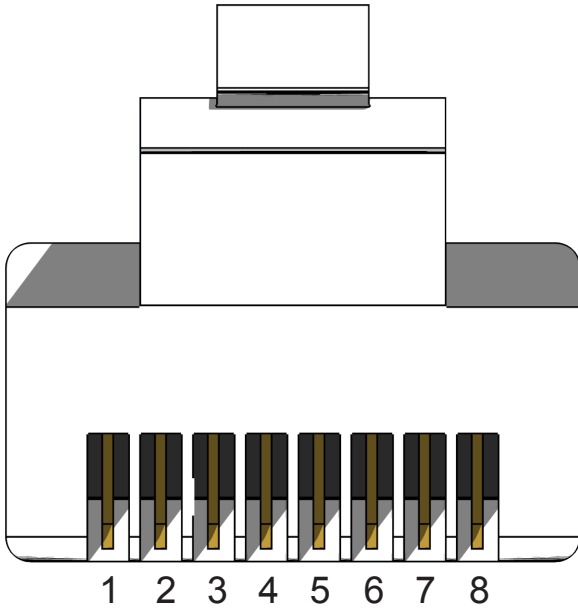
Surface Mounting Instructions

The Sender and Receiver units can be mounted on any flat surface, as shown below (screws not included). There should be an inch or two of clearance between the edges of the unit and any walls or vertical surfaces to allow for enough clearance for connection and disconnection of the HDMI cables.

For installation on a drywall surface, use a #6 drywall screw. When installing, it is recommended to use the center hole on a stud.



Front of RJ-45 Connector



Gefen recommends the TIA/EIA-568-B wiring option. Use the following table when terminating cables in the field.

Pin	Color	Description
1	Orange / White	TD+ (Transmit Data, positive differential signal)
2	Orange	TD- (Transmit Data, negative differential signal)
3	Green / White	RD+ (Receive Data, positive differential signal)
4	Blue	Unused
5	Blue / White	Unused
6	Green	RD- (Receive Data, negative differential signal)
7	Brown / White	Unused
8	Brown / White	Unused

Shielded (STP) CAT-5 or CAT-6 is recommended. However, unshielded (UTP) CAT-5 or CAT-6 is acceptable. CAT-5, CAT-5e, and CAT-6 cabling comes in stranded and solid core types. Gefen recommends using solid core cabling. CAT-6 cable is also recommended.

It is recommended to use one continuous run from one end to the other. Patch cable is not recommended.

Supported Formats

Video	<ul style="list-style-type: none"> • 4K x 2K • 1920 x 1200 (WUXGA) • 1080p Full HD
Audio	<ul style="list-style-type: none"> • Linear PCM (7.1 channels) • Dolby® TrueHD • DTS-HD Master Audio™

Connectors & Indicators

HDMI In (Sender)	• 1 x HDMI Type A, 19-pin, female
HDMI Out (Receiver)	• 1 x HDMI Type A, 19-pin, female
Link (Sender / Receiver)	• 1 x RJ-45, shielded, female
Ethernet (Sender / Receiver)	• 1 x RJ-45, shielded, female
IR In/Ext (Sender / Receiver)	• 1 x 3.5mm, female
IR Out (Sender / Receiver)	• 1 x 3.5mm, female
RS-232 (Sender / Receiver)	• 1 x 3-pin Phoenix-type, female
Power (Sender / Receiver)	• 1 x 4-pin, locking, female
Power Link (Sender / Receiver)	• 1 x LED, bi-color, blue / green

Operational

Maximum Pixel Clock	• 330 MHz
Power Input	• 24V DC
Power Consumption	• 12 Watts (max.)
Operating Temperature	• +32 to +113 °F (0 to +45 °C)
Storage Temperature	• -4 to +185 °F (-20 to +85 °C)
Storage Humidity (RH)	• 0% to 90%, non-condensing
Operating Humidity (RH)	• 5% to 90%, non-condensing
MTBF	• 50,000 Hours

Physical

Dimensions (W x H x D) (Sender / Receiver)	• 4.3" x 1" x 3.2" (110mm x 26mm x 85mm)
Unit Weight (ea.)	• 0.4 lb (0.2 kg)

B

Bidirectional IR Control [11](#)

C

Commands [21](#)
 #fw_upgrade [21](#)
 #hdcp [22](#)
 #help [23](#)
 #power_always [24](#)
Connection Instructions [6](#)

D

DIP Switch Configuration [14](#)

E

EDID Management [15](#)

F

Features [vi](#)

H

HDBT (HDBaseT™) Mode [17](#)
HPD Mode [16](#)

I

Installation [6](#)

L

LED Status [10](#)
Long-reach mode [17](#)

M

Mounting Instructions [32](#)

N

Network Cable Diagram [33](#)

O

Operating Notes [v](#)

P

Packing List [vii](#)

R

Receiver Unit [4](#)
RS-232
 commands [21](#)
 mode [17](#)
RS-232 Setup [20](#)

S

Safety Instructions [ii](#)
Sender Unit [2](#)
Specifications [34](#)

T

Table of Contents [viii](#)
Technical Support [iv](#)

U

Updating the Firmware
 individual update procedure [30](#)
 single update procedure [28](#)

W

Warranty Information [iii](#)
Wiring Diagram [7](#)



20600 Nordhoff St., Chatsworth CA 91311
1-800-545-6900 818-772-9100 fax: 818-772-9120
www.gefen.com support@gefen.com