

A-CW3S

Battery adapter

CAM ~ WAVE

Instruction Manual

Thank you for purchasing the A-CW3S. The A-CW3S is a battery adapter for supplying power to the CW-3 TX / RX. Prior to using A-CW3S, IDX recommends reading this Instruction Manual. Please keep this manual for your reference.

Features

- Battery adapter designed to be used with SONY L series 7.2V battery.
- DC 7.2V from DC plug.
- Down converted DC5V outputs through USB connector.
- Flexible mounting with four possible TX positions.
- Mounts to camera via 1/4-20 screw or shoe mount (mount included with CW-3 system)

* Refer to CW-3 operation manual when configuring the CW-3 and adapter.

Specifications

- Output voltage : DC 7.2V (DC Plug $\Phi 5.5 \times \Phi 2.1$)
DC 5V (USB)
- Input voltage : DC9V~6.5V
- Dimension : 97(W) x 111(D) x 76(H)mm
3.81(W) x 4.37(D) x 2.99(H) inches
- Weight : approx 160g / 0.35lbs
- Packing list : Camera screw x1
Instruction Manual x1
Battery module mounting screws x 4

SAFETY INSTRUCTIONS

To use this product safely and correctly, please follow the safety precautions set out below. Product misuse may cause fire, shock, injury, product failure or other hazards.

CAUTION

- Do not attempt to open or modify this unit. All work should be carried out by IDX authorized service personnel only.
- Do not use with unspecified equipment as it may cause unexpected defect, damage or other incidents.
- All cables connected to the adapter should be handled carefully, otherwise it will damage the cable and/or connector.
- When mounting a battery to the adapter, be sure to attach firmly. If not securely attached, the battery may detach or get damaged; this may cause injury or damage to the adapter.
- Do not expose or use the unit in direct sunlight, extreme dust, water or other hazardous environments.
- Do not short the positive(+) and negative(-) pins. This may cause fire, electrical shock or other incidents. Stop operation immediately if an abnormal smell, leak, discoloration or deforming is noticed while in use.

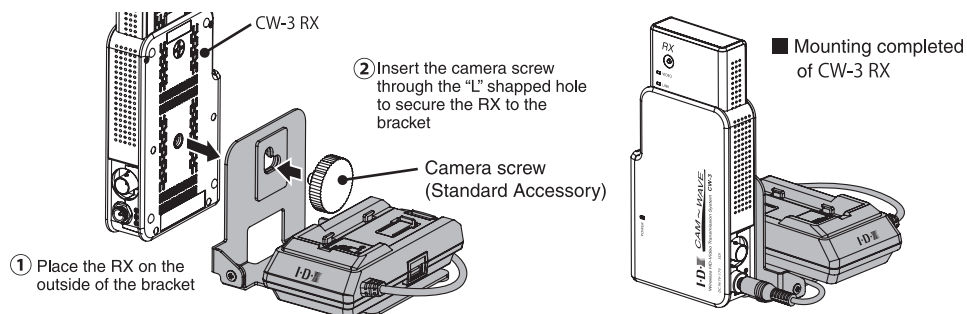
WARNING

- When the system is not in use, the cable or battery should be removed from the adapter to prevent battery over-discharging.
- If inspection or repair is required, please contact your IDX dealer or appropriate IDX office.

Recommended Battery (as of June 2014)

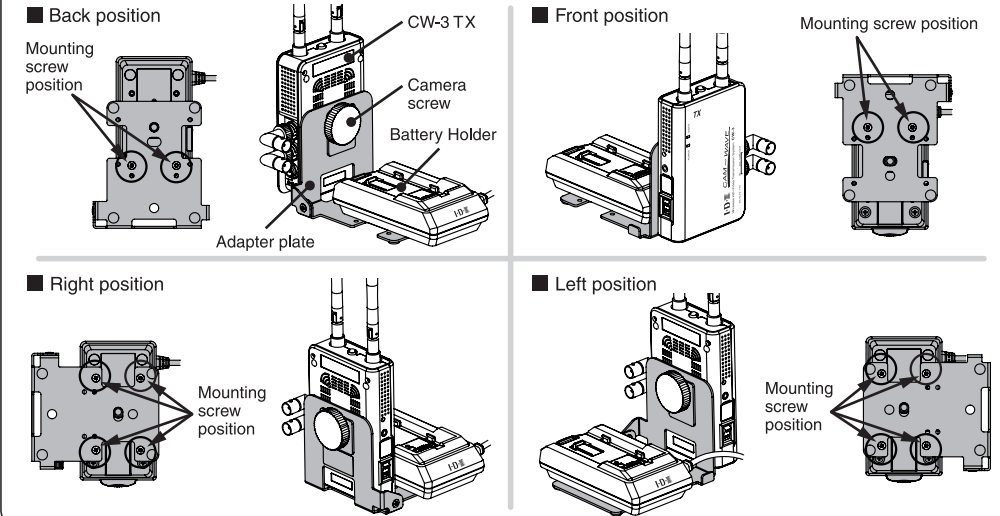
- SONY 7.2V Li-ion battery Pack : L series

Mounting the CW-3 RX



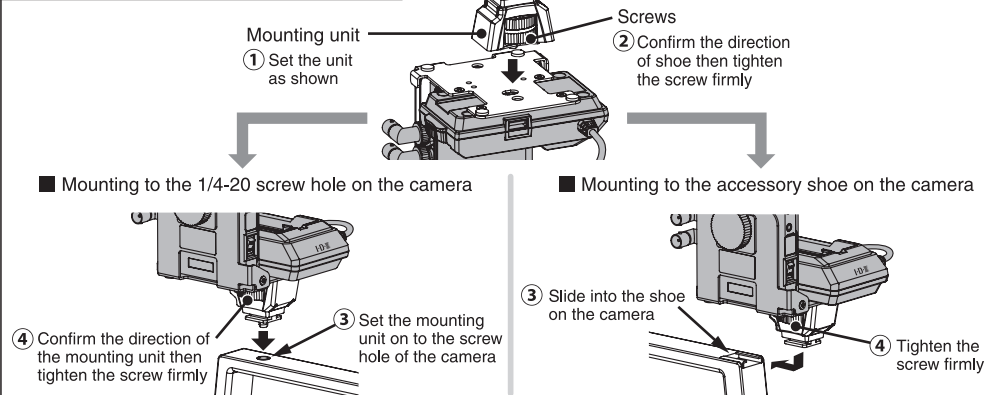
Mounting the CW-3 TX

* Configure the bracket to fit with your camera setup following the figures below



Attach the mounting unit to adapter

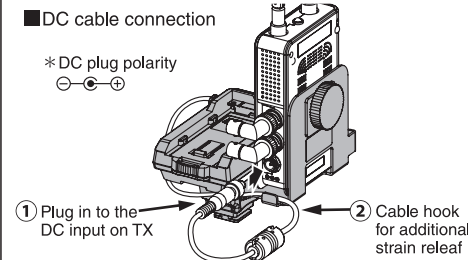
* Only use the mounting unit included with CW-3



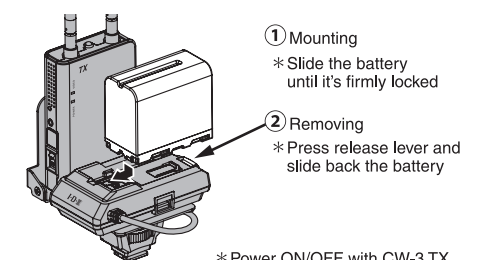
Instruction for assembly

DC cable connection

* DC plug polarity



Mounting and Removing battery



Design and specifications are subject to change without notice.



<http://www.idx.tv>

IDX Company, Ltd. : 6-28-11 Shukugawara, Tamaku, Kawasaki-shi, Kanagawa-ken 214-0021 Japan
Tel : +81-44-850-8801 Fax : +81-44-850-8838 E-mail : idx.japan@idx.tv

IDX System Technology, Inc. : 19001 Harbortgate Way, Suite 105, Torrance, CA 90501 USA
Tel : +1-310-328-2850 Fax : +1-310-328-8202 E-mail : idx.usa@idx.tv

IDX Technology Europe, Ltd. : Unit 9, Langley Park, Waterside Drive, Langley, Berkshire SL3 6AD England
Tel : +44-1753-547692 Fax : +44-1753-546660 E-mail : idx.europe@idx.tv

