

P-V2 / P-VS2

V-Plate/V-Plate with Synchron



Instruction Manual

IDX thanks you for choosing the P-V2/P-VS2 and is sure that you will benefit from its unique features. The P-V2/P-VS2 is made to attach IDX's ENDURA System batteries to professional video cameras that do not have a V-Mount style battery lock as standard. Please utilize this instruction manual to best maximize and safely use your P-V2 / P-VS2. If you have any additional questions, please contact the appropriate IDX office or visit our website www.idx.tv.

Features

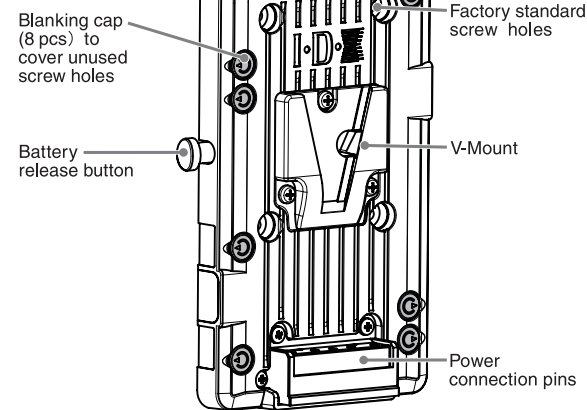
- [D-TAP] DC output connector for powering on-board camera lights.
- [Digi-View] battery monitoring function. The remaining battery capacity and other data is displayed in the viewfinder of the camera [Refer to Digi-View for further details]
- [Synchron] function allows an on-board camera light to turn on and off in sync with the camera recording mode.[Refer to Synchron for further details]
- The P-V2 / P-VS2 can be attached to most professional video cameras. Fixing can be adjusted to suit different makes via universal fixing positions.

Specifications

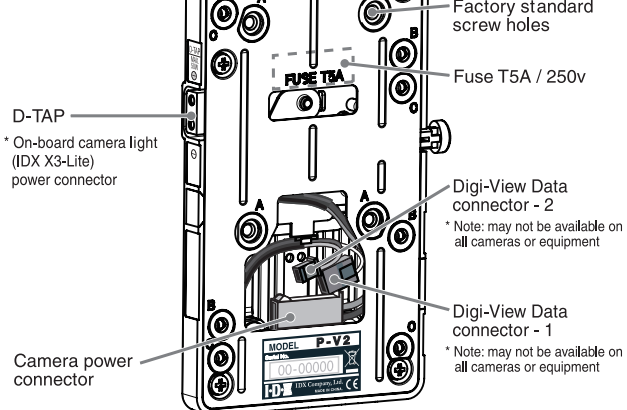
- Maximum output for the D-Tap : 50W
- Dimensions : 82.5 (W) × 142 (H) × 12 (D) mm
- Weight : P-V2 approx. 160g, P-VS2 approx. 180g
- Included accessories : Installation manual x 1, M3 (8mm) screw x 4

Parts Description

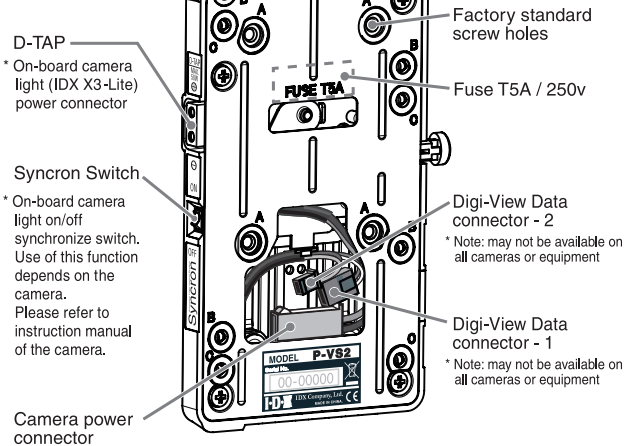
P-V2/P-VS2



P-V2

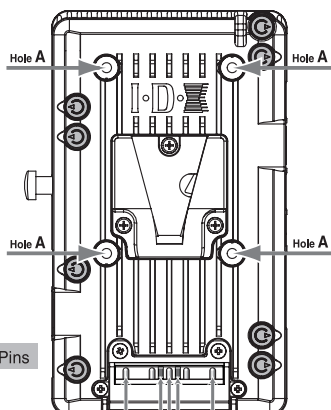


P-VS2



At the time of Shipment

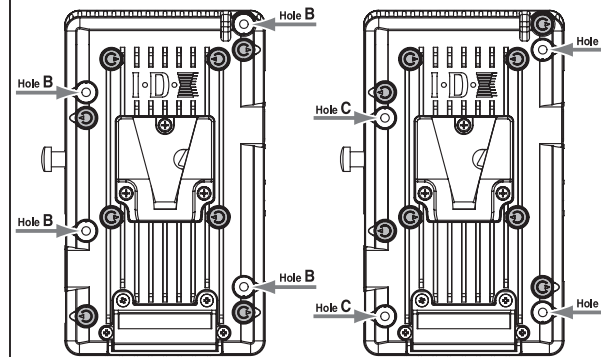
The P-V2 / P-VS2 is designed to be universal and attach to all makes of camera. As a factory standard it is shipped with the 4 x screw holes shown as "A" exposed.



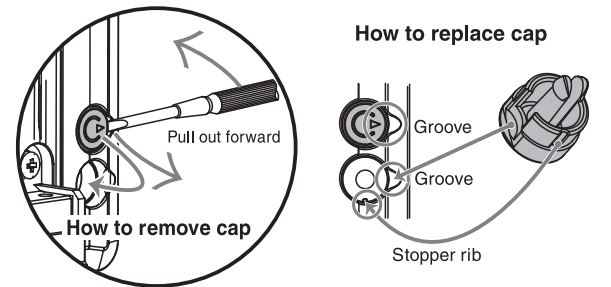
⊕B : For charge/discharge
 ⊖ : Minus
 B3: For Analog data
 D1 / D2 : For Digital data

Fixing positions for Panasonic Cameras

Panasonic video cameras use two different fixing locations to attach the P-V2 / P-VS2 depending on the camera model. Please check which fixing locations are required for your Panasonic camera and use the appropriate location holes.

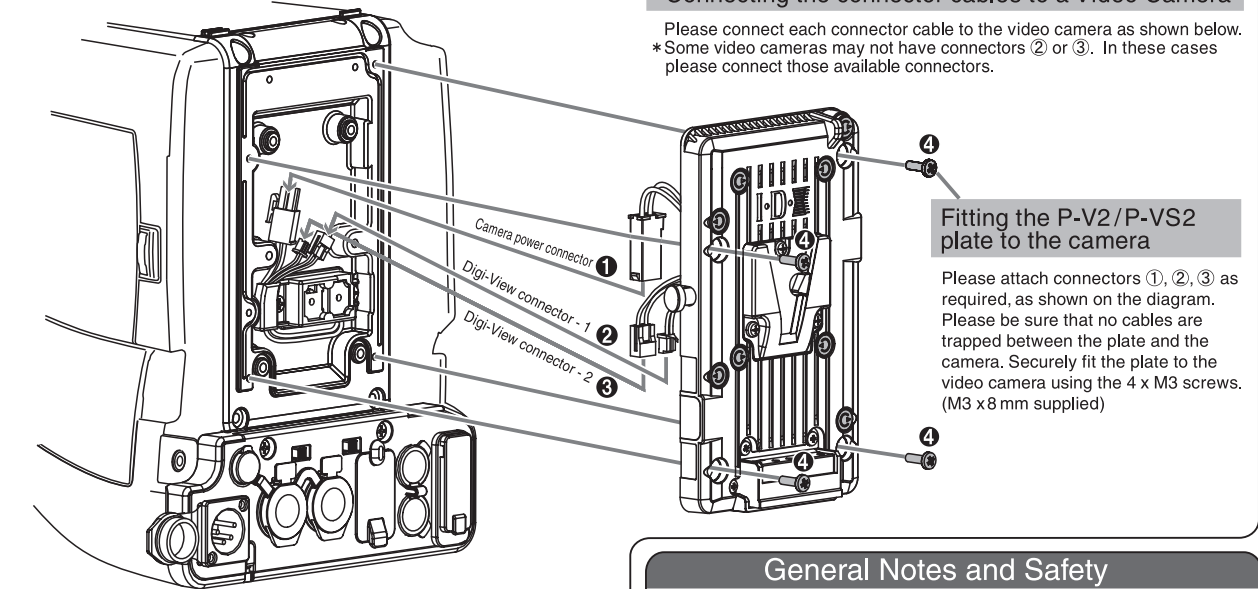


How to remove and replace blanking cap



- * Using a small flat head screwdriver remove the blanking cap from its position by inserting the screwdriver under the cap on its ▸ side and pull out.
- * To replace the blanking cap align the ▽ on the cap with the groove on the plate. Push the cap into the plate so that it is secure.
- * Place the removed blanking caps in unused fixing holes in order to prevent possible damage to the plate or attached equipment.

Fitting/Installation of P-V2/P-VS2 to a Video Camera



The above diagram shows an example of how to fit a P-V2 / P-VS2 to the Panasonic AG-HPX500 camera

Connecting the connector cables to a Video Camera

Please connect each connector cable to the video camera as shown below. * Some video cameras may not have connectors ② or ③. In these cases please connect those available connectors.

General Notes and Safety

- Do not attempt to open or modify this unit. All work should be carried out by IDX authorized service personnel only.
- Do not attach P-V2 and P-VS2 plates to any non-compatible video camera or equipment as it may cause defect, damage or other incidents. Please read this Instruction Manual carefully before use. (When connecting cables, please do not pull the cables hard.)
- When connecting a battery or adapter to a P-V2 and P-VS2 plate, be sure connect firmly. If it is not attached properly, it may result in loss or damage to the unit or even injury to the user.
- Do not expose to, use or place the unit in direct sunlight, extreme dust, water or other hazardous environments.
- A short between the plus (+) and minus (-) charge pins may cause fire, electrical shock or other incidents.
- Stop using immediately in case of abnormal smell, leak, colour change or case deformation during use.
- If you need any inspection or repairs, please contact your IDX dealer or appropriate IDX office.

[Digi-View]

Digi-View is a system that allows the remaining battery capacity, from Digi-View featured batteries, to be displayed in the camera viewfinder. Cameras designed with this feature show remaining battery capacity as a percentage and are fitted with data receiving connector(s). Digi-View is available in two versions, the original type1 which shows battery capacity in steps of 10% and type2 which shows capacity in 1% steps. Different cameras may have one or both connectors, if both connectors are present please connect both.

[Synchron] Automatic Light Control System

Synchron is an automatic light control system that allows an on-board camera light to be switched on and off automatically when the camera record button is pressed. This feature is available for cameras fitted with the appropriate I/O data connector at the rear of the camera. To use this function, turn the Synchron switch on the P-VS2 plate to "ON", switch the on-board camera light to "ON" and connect the light to the D-TAP connector. Press the camera record / VTR switch on and the light will come on automatically. When the record / VTR is switched off, the light will automatically turn off. When the Synchron switch is turned off, the light will return to its normal on/off mode.



IDX Company, Ltd. : 6-28-11 Shukugawara, Tama-ku, Kawasaki-shi, Kanagawa-ken 214-0021, Japan
 Tel: +81-44-850-8801 Fax: +81-44-850-8838 E-mail: idx.japan@idx.tv
IDX System Technology, Inc. : 1602 Lockness Place, Torrance, CA 90501 U.S.A.
 Tel: +1-310-891-2800 Fax: +1-310-891-3600 E-mail: idx.usa@idx.tv
IDX Technology Europe, Ltd. : Unit 9, Langley Park, Waterside Drive, Langley, Berkshire SL3 6EZ, England
 Tel: +44-1753-547-692 Fax: +44-1753-546-660 E-mail: idx.europe@idx.tv

20071130

