

# Technical Manual



# JBL AC2212/64-WH

## SPECIFICATIONS

### ACOUSTIC & ELECTRICAL SPECIFICATIONS:

- Nominal Impedance: 8 Ohms
- Power Capacity (AES): L.F. 300W (1100W Peak), 2 Hrs  
250W (1000W Peak), 100 Hrs  
H.F. 30W (120W Peak), 2 Hrs
- Frequency Range: 50Hz – 19 kHz (-10dB)
- Sensitivity: L.F. 95dB SPL (1 watt @ 1 meter)  
H.F. 114dB SPL (1 watt @ 1 meter)  
Passive Mode 95dB
- Crossover Frequencies: 3rd Order (18dB/oct) Transitional  
HP & LP, 2.1 kHz

### SYSTEM COMPONENTS:

- Cabinet: Enclosure (Not For Sale)
- Grille: 338163-001, 338163-101 (WH)
- Low Frequency Transducer: M112-8, 300mm (12 in.) Driver With  
63mm (2.5 in.) Voice Coil
- DC Resistance: 5.3 ohm ±10% Aluminum Wire
- High Frequency Transducer: 2412H, 38mm (1.5 in.) Exit Compression  
Driver, 25mm (1 in.) Voice Coil

### SYSTEM COMPONENTS: (CONT'D)

- DC Resistance: 3.6 ohm ±10%
- Crossover Network: 339416-001

### AURAL SWEEP TEST SPECIFICATIONS:

- A. System Aural Sweep Test: 7.0V Input, 20 Hz to 20 kHz
- B. L.F. Aural Sweep Test: 6.0V Input, 20 Hz to 1 kHz
- C. H.F. Aural Sweep Test: 2.83V Input, 550 Hz to 20 kHz

### PHYSICAL SPECIFICATIONS:

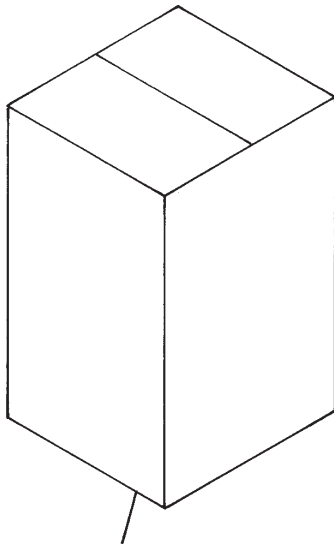
- Enclosure Dimensions: 548 x 355 x 352 mm D  
(21.6 x 14.0 x 13.9 in.D.)
- Net Weight: 40 lb (18.1 kg.)

### WARRANTY INFORMATION:

- Refer to Warranty Statement packed with each product.

## PACKAGE

Warranty 59660  
Installation Sheet  
339390-019



Carton  
351386-001  
Filler (2)  
351387-001

Micro Foam (4)  
49790P  
Logo Sticker, Grille Assy (Small) AE  
339397-001

Sticker, JBL  
337638-001

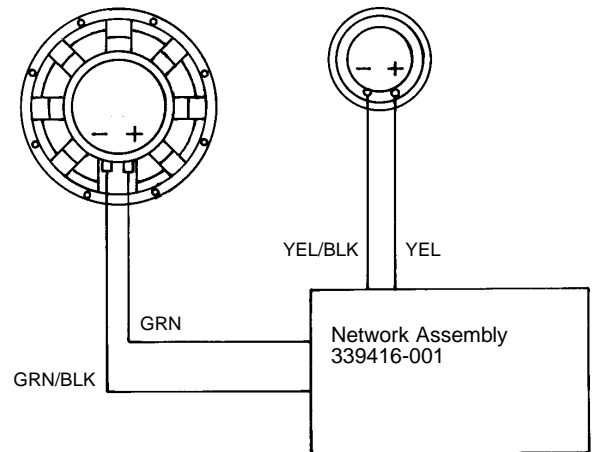
Hardware Kit  
229-00009-01

ACC, Not Included

## WIRING DIAGRAM

Driver, Low Freq  
M112-8  
(336961-001X)

Driver, High Freq  
2412H  
(125-10000-00X)

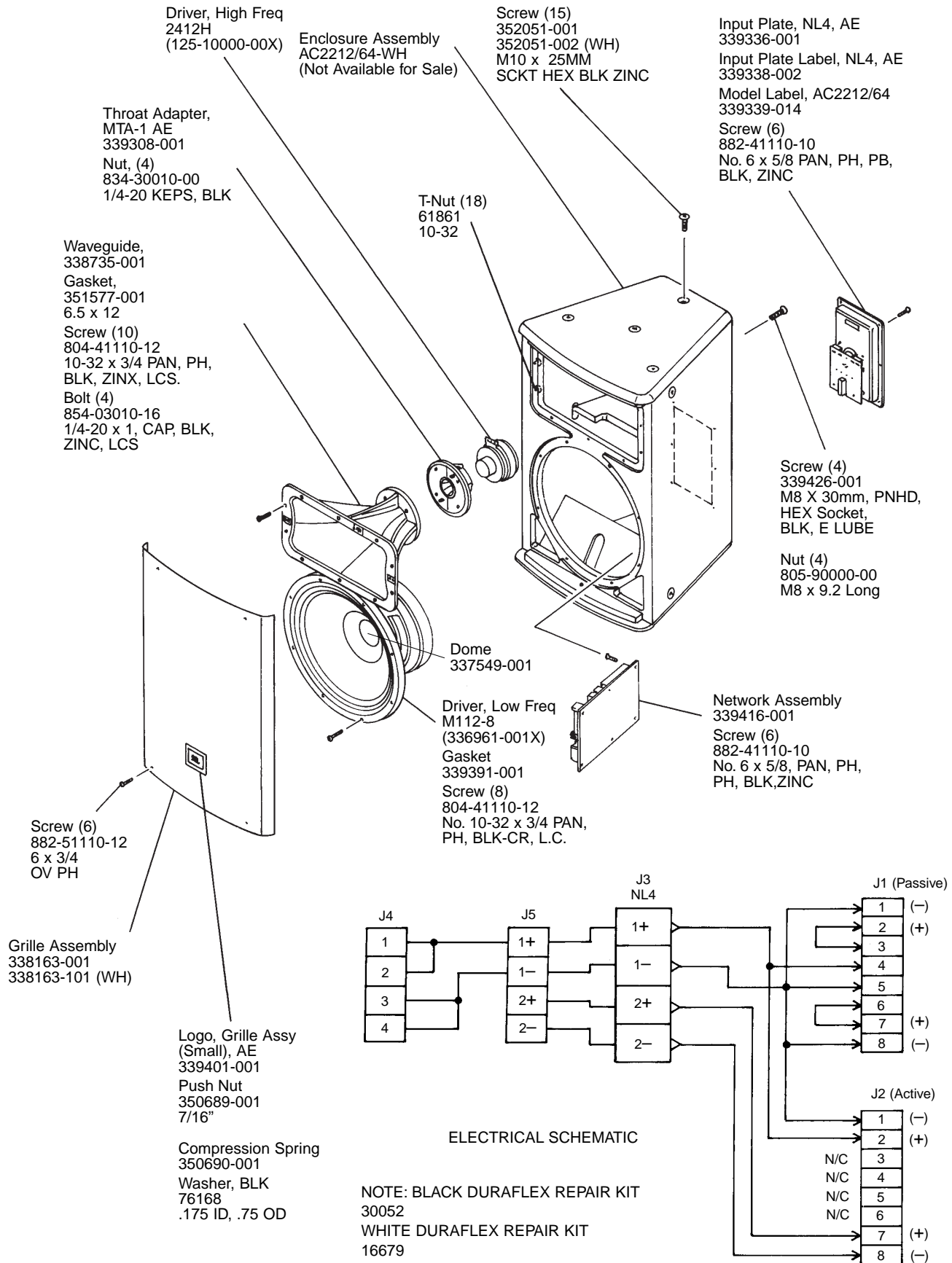


SEE NETWORK SCHEMATIC PAGE

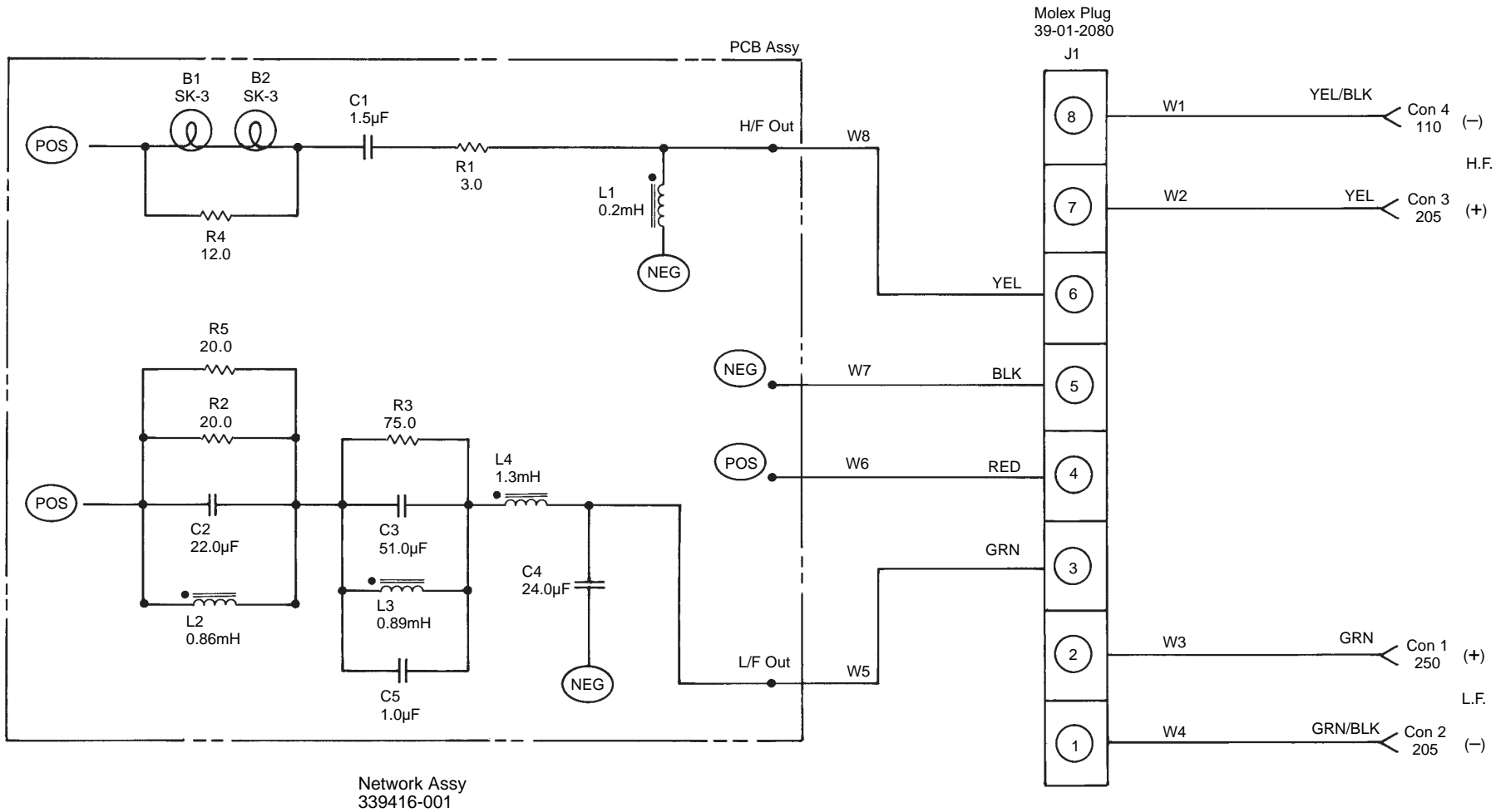
NOTE: INDIVIDUAL PARTS FOR THE ABOVE CROSSOVER ARE NOT AVAILABLE.  
A COMPLETE REPLACEMENT ASSEMBLY SHOULD BE ORDERED.

# JBL AC2212/64-WH

## COMPONENT EXPLODED VIEW



**SCHEMATIC**



NOTE: INDIVIDUAL PARTS FOR THE ABOVE CROSSOVER ARE NOT AVAILABLE.  
A COMPLETE REPLACEMENT ASSEMBLY SHOULD BE ORDERED.

**JBL AC2212/64-WH**

**JBL AC2212/64-WH**