

Technical Manual



JBL AWC129/-BK

SPECIFICATIONS

ACOUSTIC & ELECTRICAL SPECIFICATIONS:

- Nominal Impedance: 8 Ohms
- Long-Term System Power Rating: 400W, 2 hrs
250W, 100 hrs
- Frequency Response (± 3 dB): 80 Hz - 20 kHz
- Frequency Range (-10 dB): 55 Hz - 20 kHz
- Maximum SPL: Direct 8 ohm: 122 dB (peaks of 128 dB)
200W Tap: 119 dB
- System Sensitivity: 96 dB, (Ave 80 Hz - 20 kHz)
2.83V @ 1 Meter
- Crossover Frequency: 1.5 kHz, 3rd order (18 dB/oct) high-pass plus conjugate to HF, 2nd order low-pass to LF

SYSTEM COMPONENTS:

- Cabinet: Enclosure (Not for Sale)
- Grille: 5026708, 5026729 (BK)
- Low Frequency Driver: Kevlar-reinforced cone with weather treatment, 50 mm (2 in) voice coil
- DC Resistance: 5.2 ohm

SYSTEM COMPONENTS: (CONT'D)

- High Frequency Transducer: 25 mm (1 in) diaphragm and voice coil diameter, high temperature polymer patented design, fluid-cooling
- DC Resistance: 3.6 ohm +/- 0.2 ohm
- Network Assembly: 5026775

AURAL SWEEP TEST SPECIFICATIONS:

- A. System Aural Sweep Test: 7V Input, 50 Hz to 20 kHz
- B. L.F. Aural Sweep Test: 10V Input, 20 Hz to 1 kHz
- C. H.F. Aural Sweep Test: 2V Input, 2 kHz to 16 kHz

PHYSICAL SPECIFICATIONS:

- Enclosure Dimensions: 402 x 402 x 445 mm D
(15.8 x 15.8 x 17.5 in.D.)
- Net Weight: 41.5 lb (18.9 kg.)

WARRANTY INFORMATION:

- Refer to Warranty Statement packed with each product.

PACKAGE

Warranty 59660

Gland Nut
5026625

Terminal
Compartment
Cover
5026676
5026753 (BK)

Screw Bag
5026679
5026756 (BK)

Serial Number
Label
5026717
5026738 (BK)



Model Label
5026714
5026735 (BK)

Tap Switch
Label
5026628

Serial Number
Corner Label for
Carton
5026723
5026744 (BK)

U-Bracket
5026711
5026732 (BK)

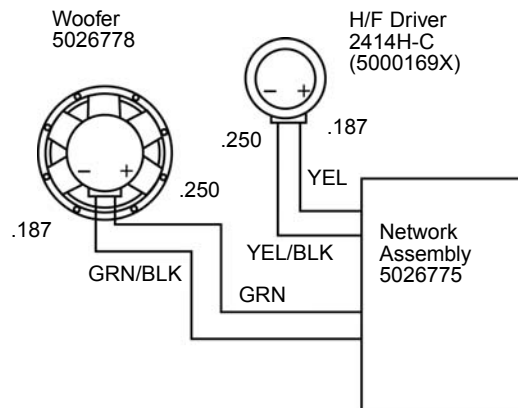
Cardboard
5026835

Top, Styrofoam
5026838
OM Bag
5026831

Bottom, Styrofoam
5026841

Master Carton
5026720
5026741 (BK)

WIRING DIAGRAM



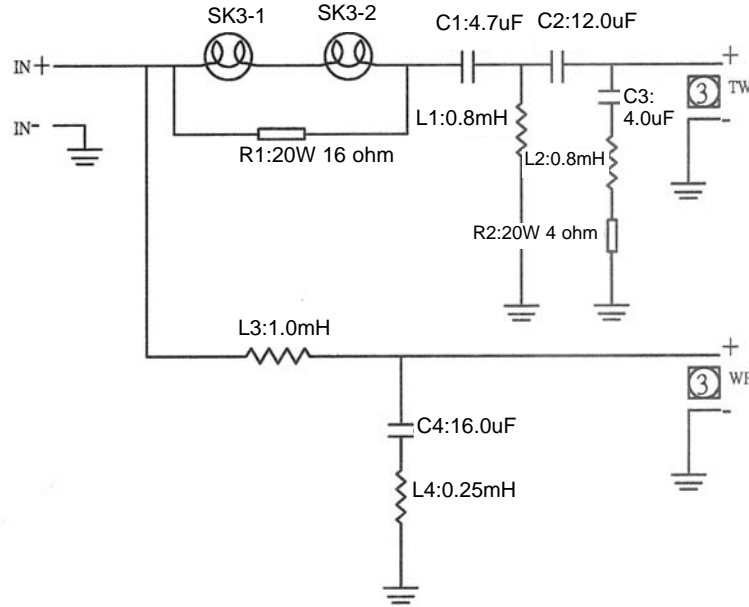
SEE NETWORK SCHEMATIC (5026775) PAGE 2

Transformer Taps: 70V: 200W, 100W, 50W, 25W
100V: 200W, 100W, 50W

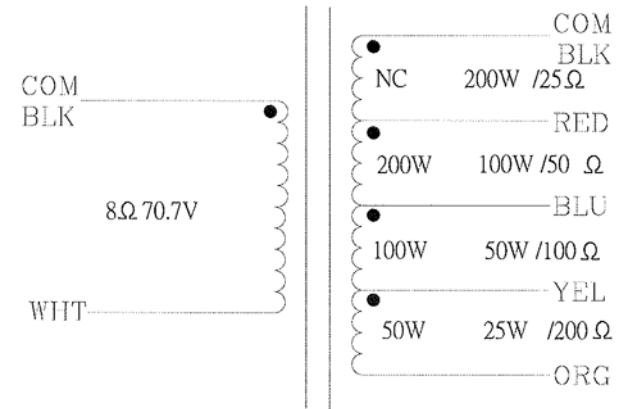
NOTE: INDIVIDUAL PARTS FOR THE ABOVE CROSSOVER ARE NOT AVAILABLE. A COMPLETE REPLACEMENT ASSEMBLY SHOULD BE ORDERED.

JBL AWC129/-BK

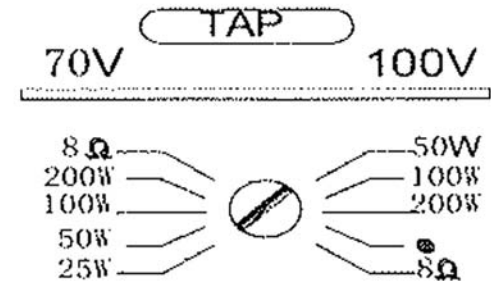
NETWORK ASSEMBLY SCHEMATIC - (5026775)



Transformer Diagram



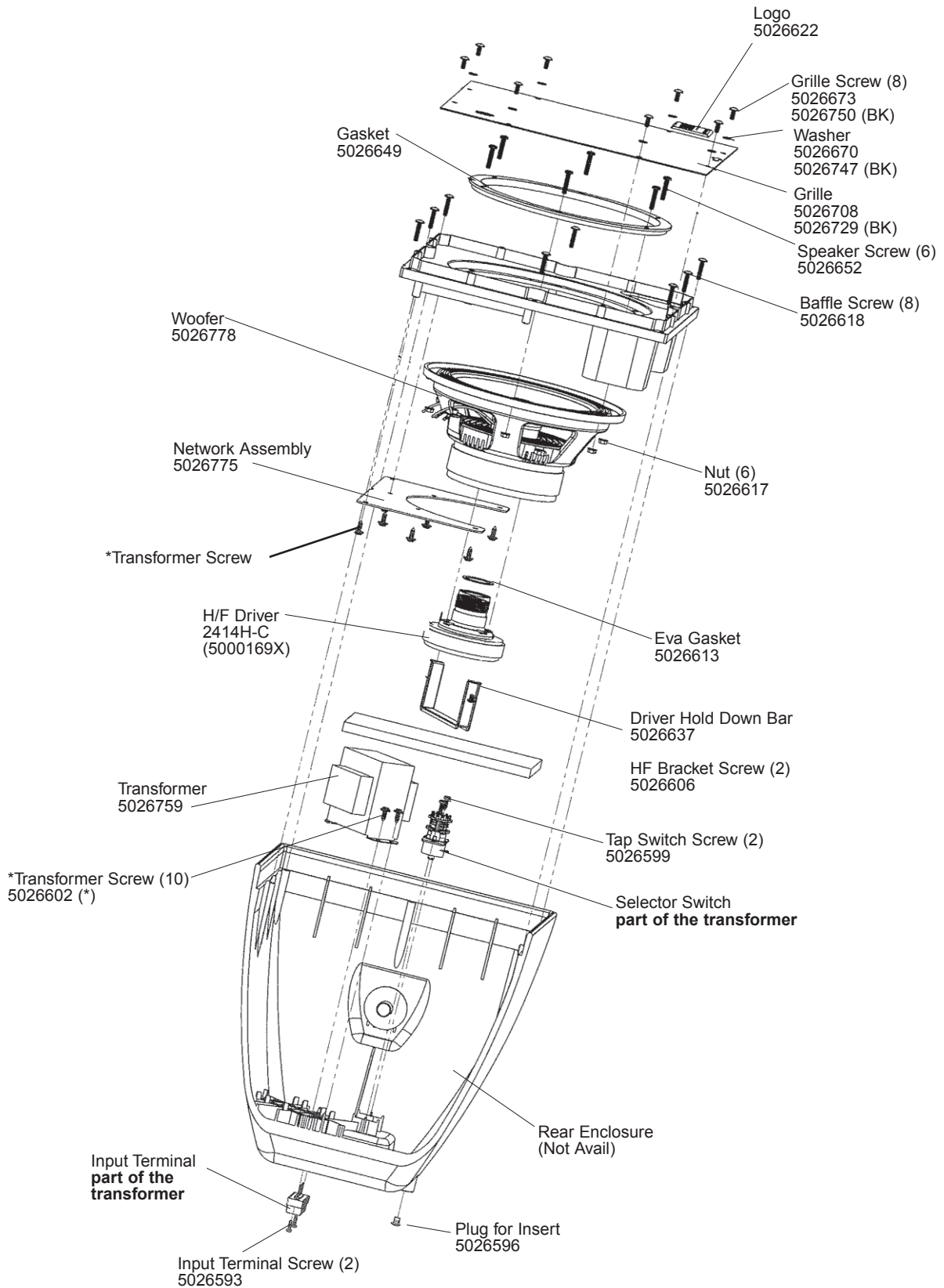
Transformer TAPS



Individual Parts for the above crossover are not available.
A complete replacement assembly should be ordered.

JBL AWC129/-BK

COMPONENT EXPLODED VIEW



JBL AWC129-BK