

Technical Manual



JBL JRX215

SPECIFICATIONS

ACOUSTIC & ELECTRICAL SPECIFICATIONS:

- Nominal Impedance: 8 Ohms
- Power Capacity: 250W, 1000W Peak Power Capacity
- Frequency Response (± 3 dB): 59 Hz – 13 kHz
- Frequency Range (-10 dB): 41 Hz – 18 kHz
- Maximum SPL: 129 dB
- Crossover Frequency: 2.2 kHz

SYSTEM COMPONENTS:

- Cabinet: Enclosure (Not For Sale)
- Grille: 5033398
- Low Frequency Driver: M115-8A, 380 mm (15 in.) Cone Transducer
- D.C. Resistance: 5.3 ohms

SYSTEM COMPONENTS: (CONT'D)

- High Frequency Driver: 2414H-C, 25 mm (1 in) exit compression driver mounted on Progressive Transition™ Waveguide
- D.C. Resistance: 4.80 ohm +/- 0.2 ohm

AURAL SWEEP TEST SPECIFICATIONS:

- A. System Aural Sweep Test: 7.0V Input, 40 Hz lto 20 kHz
- B. L.F. Aural Sweep Test: 6.0V Input, 20 Hz to 200 Hz
- C. H.F. Aural Sweep Test: 0.75V Input, 500 Hz to 1.5 kHz

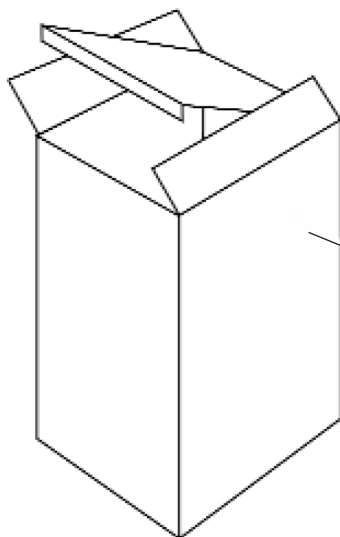
PHYSICAL SPECIFICATIONS:

- Enclosure Dimensions: 699 mm x 460 mm x 432 mm (27.5 in x 18.1 in x 17 in)
- Net Weight: 27.4 kg (60.5 lb)

WARRANTY INFORMATION:

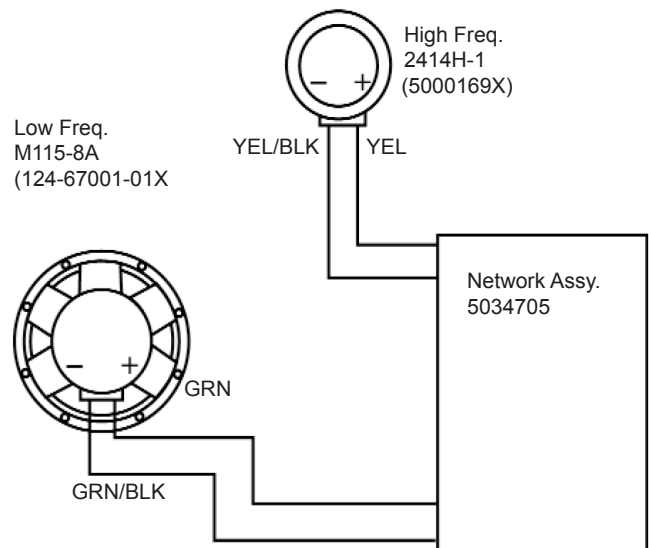
- Refer to Warranty Statement posted on line

PACKAGE



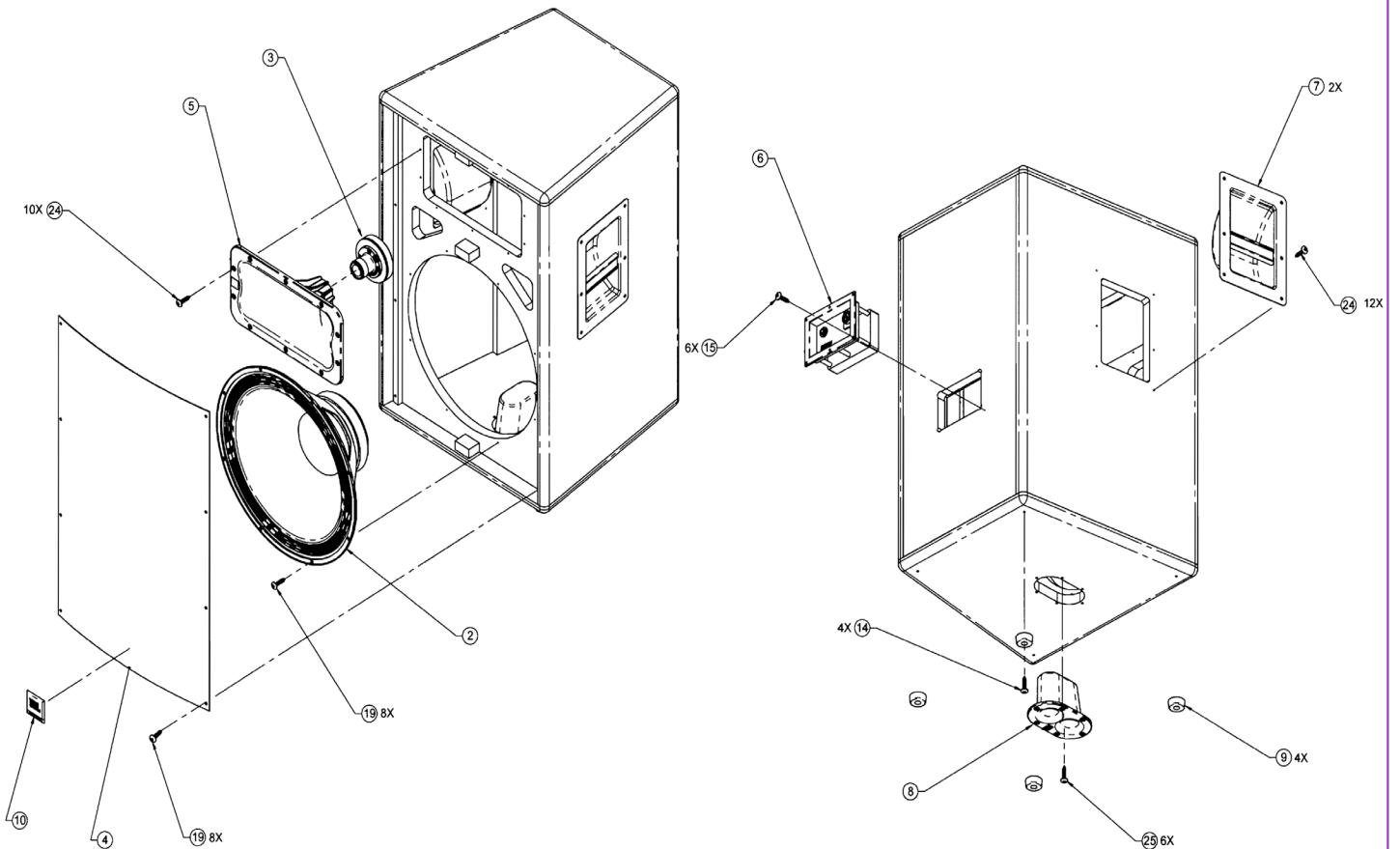
- Quick set-up guide 5034639
- Carton 5034637
- Filler (2) 339021-001
- Microfoam (4) 49790P
- Insert (1) 445549-001

WIRING DIAGRAM



JBL JRX215

COMPONENT EXPLODED VIEW



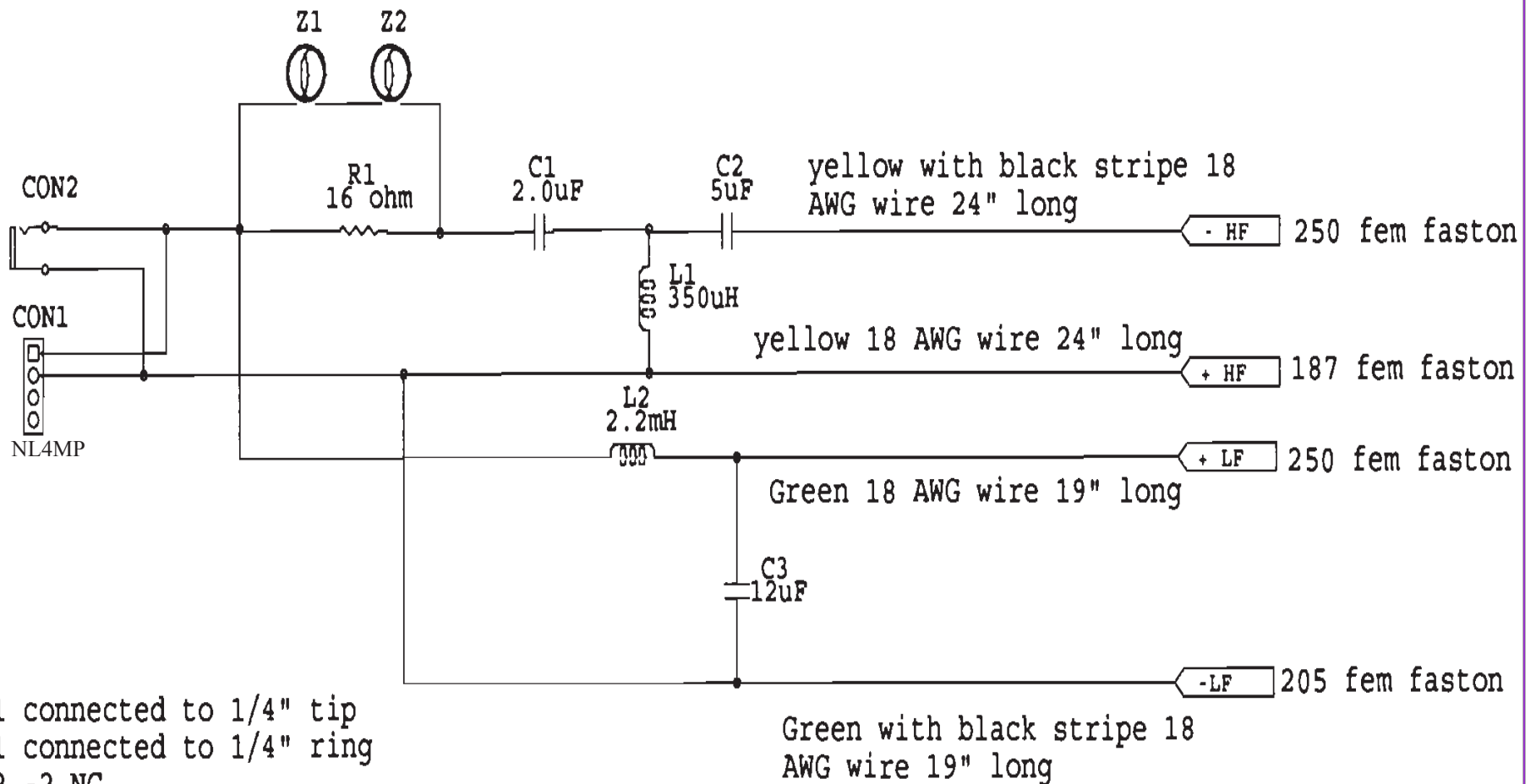
COMPONENT PARTS LIST:

Item	Part No.	Qty	Description
2	124-67001-01X	1	M115-8A WOOFER
3	5000169X	1	M/I, 2414H-C
4	5033398	1	GRILLE
5	338800-001	1	HORN
6	5034705	1	NETWORK ASSY,
7	339018-003	2	HANDLE ASSY, WITHOUT LABEL
8	351256-001	1	CUP, DUAL POLE
9	924-00002-01	4	FOOT

Item	Part No.	Qty	Description
10	5007401	1	LOGO BADGE
14	729-90001-16	4	SCR, #12X1, THR FORMING, FLT HD, PH, TY
15	882-51110-12	6	SCR, 6 X 3/4,OV,PH,PTCL,BLK ZC,LCS
19	883-41110-16	16	SCR,8 X 1,PAN,PH,PB,BLK ZINC,LCS
24	883-41110-12	22	SCR,8 X 3/4,PAN,PH,PB,BLK ZINC,LCS
25	884-41110-16	6	SCR,10 X 1,PAN,PH,PB,BLK ZINC,LCS

JBL JRX215

NETWORK SCHEMATIC 5034705



NL4
 pin +1 connected to 1/4" tip
 Pin -1 connected to 1/4" ring
 pin +2, -2 NC