

# Libec Tracking rail TR-320

## Operation manual

### ⚠ WARNING

Before operating this equipment, please read this manual carefully and retain this for future reference.

This equipment may cause harmful, if not installed and used in accordance with this manual.

- Please read careful this manual before using.
- Please follow this instruction for your safety reason.

### Attention to users

⚠ CAUTION This equipment may cause harm, if not installed and used in accordance with following instructions.

- Keep the maximum load capacity.  
Excess load capacity may cause damage to equipments and unexpected incident.
- Firmly tighten the lock knob and screws before usage.  
If not tighten firmly, it would cause damage to equipment and harmful to users.
- Make sure that circumstances allow to operate TR-320.  
It is important to make sure that the field could allow TR-320 in use properly.  
Especially, under severe circumstances such as slope, sand field, uneven ground, windy weather cannot operate TR-320 properly which cause derail or harmful to equipments and operators.
- Make sure that no obstacles on the rail.  
In case any obstacles on the rail which cause derail or harmful to equipments and operators.
- Make sure that Rail fixing bar and End rubber cap is properly installed in both side.  
In case not to properly installed which cause derail or harmful to equipments and operators.
- Suspension of operation.  
This equipment would move without manual due to the nature of circumstances such as slope, windy weather.  
In order not to occur such event, remove the camera and put the weights on it.  
Neglect of such prevention cause harmful to equipments and operators.
- Test operation before usage  
Make sure the equipment is properly installed before camera is put on. Neglect of such steps cause harmful to equipments and operators.
- Human being is prohibited to step on.  
This equipment is not designed for allowing persons step on it.  
Over load capacity cause failure of equipments or harmful to users.
- Not to operate unless otherwise stated on this manual.
- Do not dismantle or remold which cause breakdown of this equipment or harmful to users.

### Caution for users

1. Please check the surrounding safety before install TR-320.
2. Please confirm the place of setup for the rail must be on flat ground.
3. Do not leave the equipments without human attention.
4. Wipe the equipments on wet towel after usage and properly keep. Keep dry after the usage at the sea side which contains salt elements.

### Install straight rail

1. Remove the Screw cap.
2. Join together male and female screws and firmly tighten.  
Hold both side of pipe will help more smooth fixing.  
※ EX-160S is available as option which extend 1600 mm.  
※ In case the screws are not in smoothly, loose again and join.
3. Install the rail with rubber attachment at the end.
4. Put the rails at the parallel way and install the rail fixing bar at the both side end.
5. Between parallel rails are fixed by rail fixing bar.
6. Make sure that screws in properly and tighten the both rails by fixing bar.

### Storage of straight rails

1. Disassemble the rails and storage into 2 bags by 4pcs each.  
It is recommended to store with rubber attachment at the top of soft case.
2. 3 bags are put into 1 large bag.

### Assemble of dolly part

1. Open the dolly leg with pushing the lock pin behind.
2. Then, firmly tighten the dolly leg lock.

### Install the dolly on to the rail

1. Put the dolly on to the rail as indicated on the drawings.

⚠ WARNING The position for usage of CR-90 is designated on the dolly.  
The tracking adjustment caster must put on to the inner rail.  
"S" curve and crank cannot be operated by the equipment.

2. Install other equipments on to the dolly.  
Maximum load capacity is up to 60kgs which includes such as tripod weight.

### How to install the equipments on to the dolly

Read the manual before usage for safety reason and step the installation.

- How to mount the tripod.  
Put the 3 each leg on to the dolly and firmly tighten the set rubber.
- Mount the P110 pedestal  
Loosen the dolly lock knob and install the P110 column into the dolly center. Then, hook the 3 each of dolly brace into set rubber and firmly tighten.  
Firmly tighten the dolly lock knob.  
First loosen the P110 dolly stopper and move forward to dolly surface. Then, firmly tighten the dolly stopper and fix.
- Mount the Low angle adopter LA-110.  
Loosen the dolly lock knob and install the LA-110 into the dolly center. Then firmly tighten the dolly lock knob.
- Install the Jib arm JB-30.  
More than 2 people are required for installation.

⚠ Attention Please make sure that weights balance must be even for operation.

Unbalance cause unexpected incidents such as collapsing of jib arm.

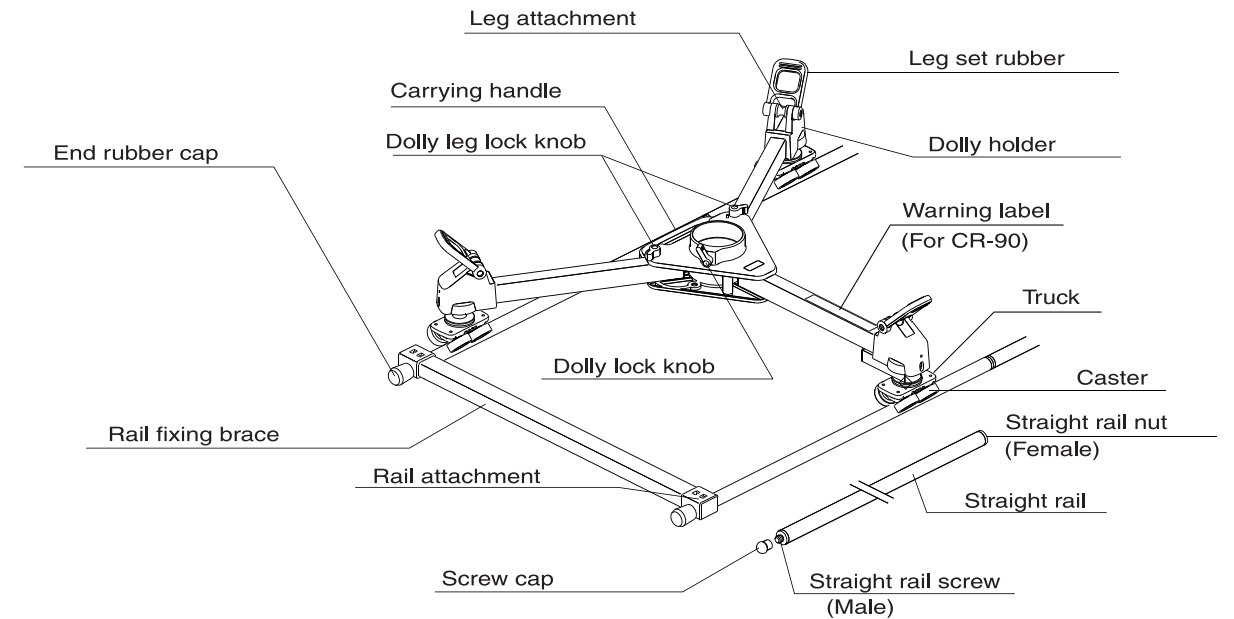
### Mount the camera

1. Before installation the camera, make sure that all equipments such as rail, rail fixing brace, rubber cap, dolly and others are all prepared.
2. Test operation before usage without camera.
3. Again test operation with camera mounted.

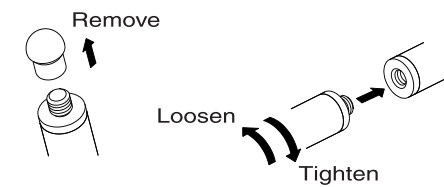
### Storage

1. Disassemble the rails and dolly part.
2. When store into the case, it is recommended to put the dolly caster upwards inside the case.

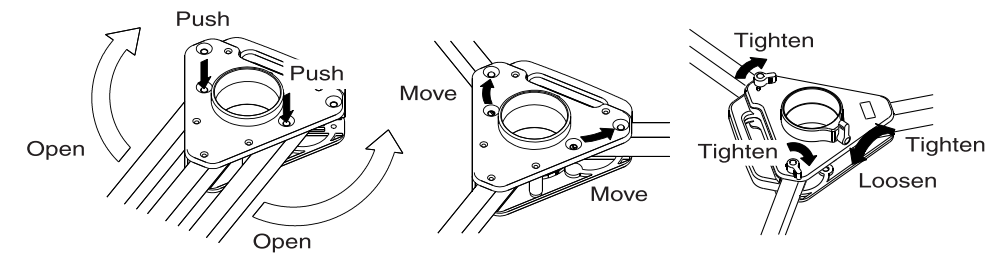
### Description of TR-320



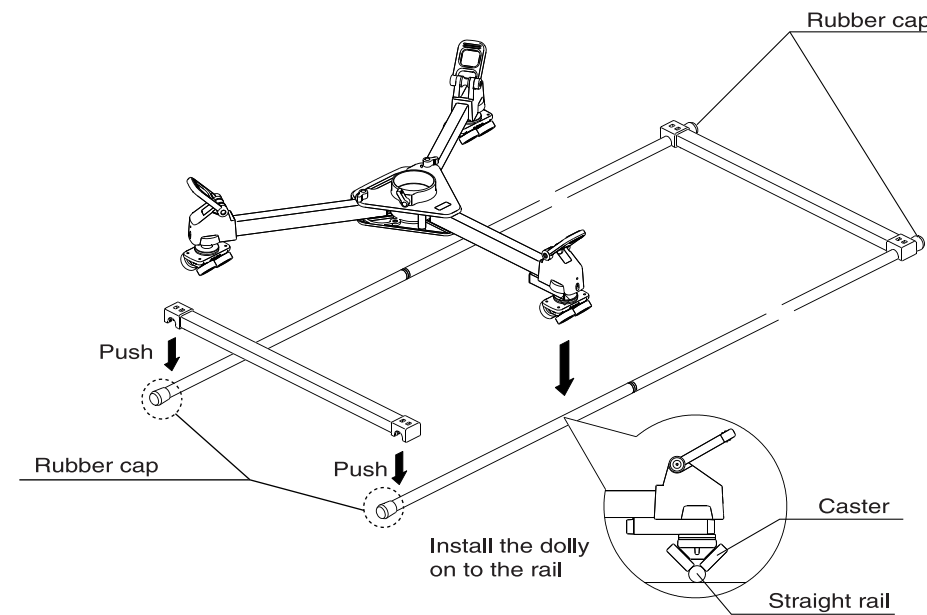
### Install straight rail



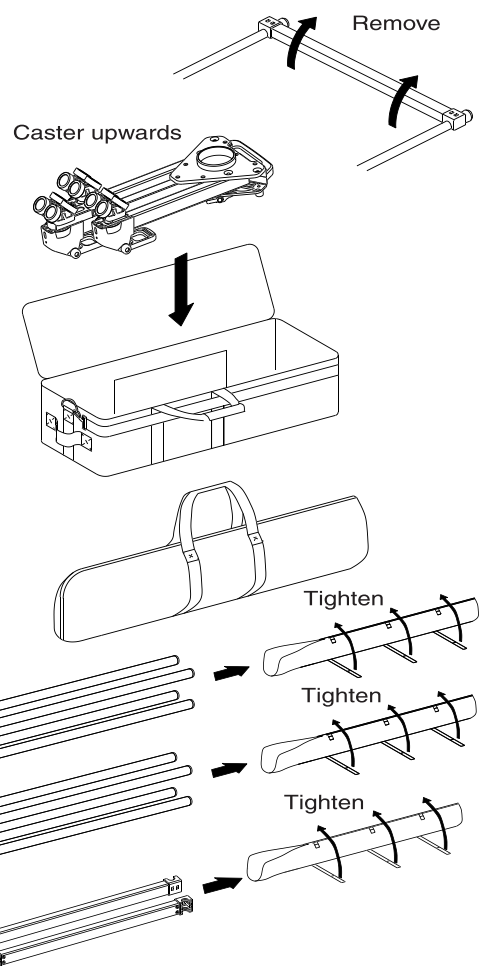
### Assemble of dolly part



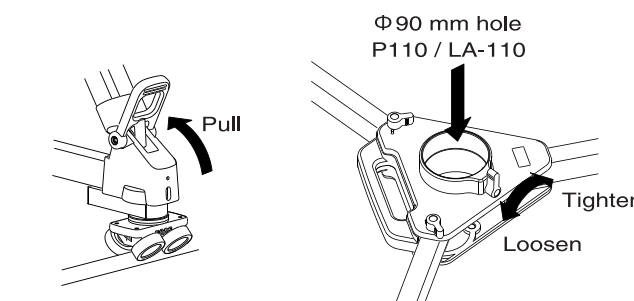
### Install the dolly on to the rail



### Storage



### How to install the equipments on to the dolly



Manufacturer :  
<http://www.libec.co.jp>

HEIWA SEIKI KOGYO CO., LTD.  
978-1, Nishibukuro, Yashio, Saitama, Japan 340-0833  
TEL : 048-995-1301 FAX : 048-997-0804