

**Warnings**

The Lowel PRO™ Power LED is a professional AC/DC powered lighting fixture. Read these instructions before operating.

- **Not for house hold use,** use only for professional imaging purposes.
- **Do not immerse unit in water** or use in damp locations.
- **Do not obstruct heat ventilation** for unit.
- **Do not stare directly into LED's.**
- **Always remove batteries** or AC supply, and make sure unit is powered Off when not in use, or being stored.

**Specs & Daylight & Tungsten Models**

**Yellow Dot = Tungsten Model**  
Code: G5-10TU

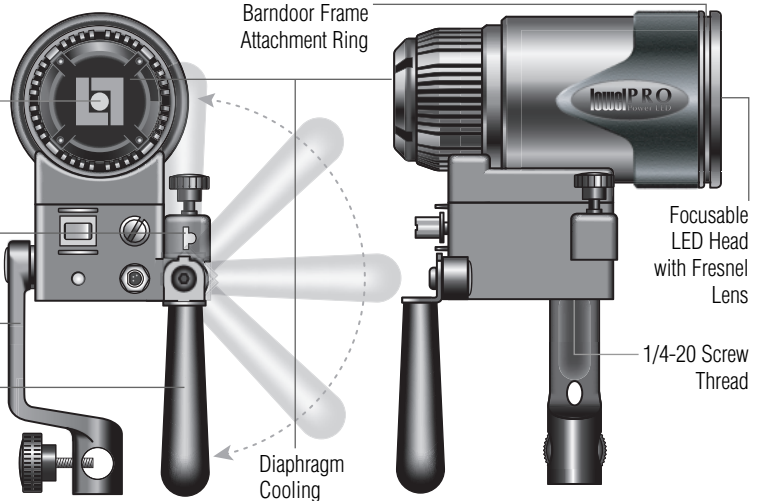
**Blue Dot = Daylight Model**  
Code: G5-10DA

Accessory Slot

Tilting Half Yoke

Fold Down Handle

**Weight (w/barndoors):** 3.3 lbs (1.5 kg)  
1 Lowel PRO (Tungsten or Daylight) with auto-setting AC adaptor (G5-80), and 2 Way Barndoors (G5-25)  
**Voltage:** 24 V  
**Wattage:** 22.4 W



**Amperage:** .7 A  
**Beam control:** Continuously variable  
**Fits on:** 5/8 stand studs, also 1/4-20 Pistol Grip mount  
**Materials:** Primarily aluminum steel, & glass-filled nylon

**Dimming Control & Switch:** in-unit  
**Installed LED Lumen information:**  
2292 lumens (3000K Tungsten Model)  
2500 lumens (5000K Daylight Model)  
both at 700mA drive current (17.6W)

**Focusing**



Flood



Spot

Lowel PRO Power LED is a focusing fixture with a spot to flood ratio of 5:1.

To focus, hold the light by its rear handle as you grasp the front of lighthead and slide it forward to spot, or backward to flood the beam.

**Operation**

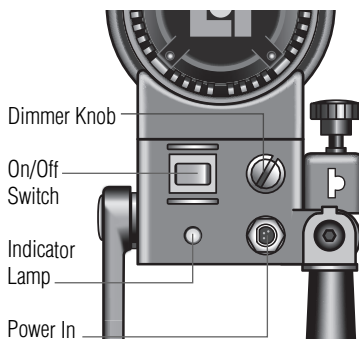
Fold down 1/2 yoke to mount PRO Power LED on 5/8" stand stud. Tighten knob securely. Fold down rear handle to assist in tilt & focus control. Attach power cord from AC supply (Or Battery Accessory) into the jack on the rear of the light, making sure to correctly orient the mini-XLR plug. Turn PRO on with the On / Off Switch, and adjust dimmer level for desired output. Color temperature will not shift during dimming.



Folded for storage with Barndoors attached.

**Indicator Lamp**

- **Steady Green** – Unit is ON and has sufficient power (battery or AC)
- **Slowly Flashing Green** – Unit has battery power for aprox. 10 minutes at full brightness
- **Fast Flashing Green** – Unit has battery power for aprox. 2-3 minutes at full brightness.
- **Flashing Red** – Unit is overheating and is about to shut down. Turn Power Switch OFF and let unit cool for 10-15 minutes.



**Daylight / Tungsten Filter Conversion**



Lowel PRO Power LED is available as either a tungsten color, or daylight color output model. In either case, color does not shift as the light is dimmed.

An 82mm filter can be attached to the screw thread on the front of PRO's fresnel lens. This allows color conversion filters, to turn a tungsten light to daylight and vice versa.

**Powering PRO Power LED by Battery**



**Lowel PRO Accessory Battery System**

**Code:** G5-156  
**Weight:** 3.6 lbs (1.6 kg)  
Battery box with 7ft DC cord, attached stand mount clamp, air-cushioned shoulder strap, and removable PRO LED Long Life Battery (G5-15). Supplied with Lowel Rapid Charger 100 (G1-18)

**Lowel PRO Spare Battery**

**Code:** G5-15  
**Weight:** 1.5 lbs (.7 kg)

**Lowel PRO Spare Battery Box**

**Code:** G5-17  
**Weight:** 1.3 lbs (.6kg)

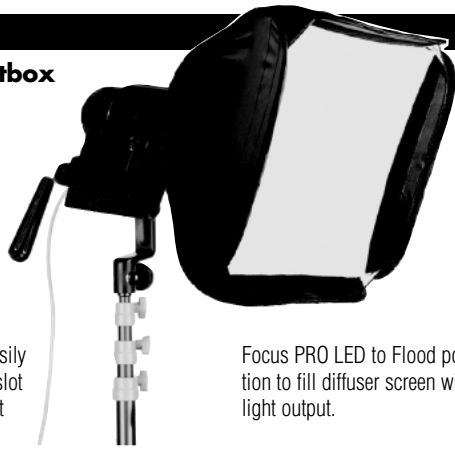
**Rapid Charger 100**

**Code:** G1-18  
**Weight:** .8 lbs (.4 kg)

**Light Controls**

**PRO Power LED Softbox**

**Code: G5-30**  
**Weight: 1.2 lbs (.6 kg)**



Collapsible softbox attaches easily to PRO Power LED Accessory slot and sets up quickly, to give soft flattering output.

Focus PRO LED to Flood position to fill diffuser screen with light output.



**Tota-brella**

Photographic umbrellas convert relatively hard light sources, such as spotlights, into relatively soft sources that provide soft shadows and highlights.

**Silver Code: T1-25,**  
 Reflective umbrella.

**White Code: T1-26**  
 White nylon umbrella that produces a softer light and also may be used as a large diffuser.

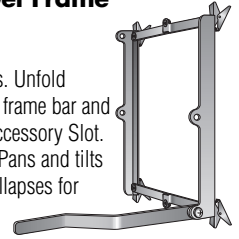


**To Mount Umbrella**

insert umbrella shaft into PRO's Accessory Slot, and lock with knob.

**PRO LED Gel Frame**

**Code: G5-40**  
 Holds 5 x 6" gels. Unfold frame, extending frame bar and insert through Accessory Slot. Lock with knob. Pans and tilts with the light, collapses for storage.



**PRO LED Gels**

**Code: G5-78**

For correcting tungsten to daylight color

- 1 Full Day Blue,      1 1/4 Day Blue,
- 1 1/2 Day Blue,      2 Frost

**Code: G5-79**

For correcting daylight to tungsten color

- 1 Full CTO              1 1/4 CTO
- 1 1/2 CTO              2 Frost

**Recommended Mounts**

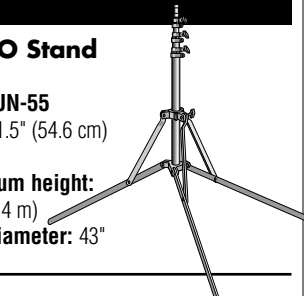
**Lowel PRO Handle**

**Code: G5-41**  
 For hand holding Lowel PRO Power LED. Handle with 1/4-20 screw-threaded post, attaches to underside of light.



**Uni TO Stand**

**Code: UN-55**  
**Size: 21.5" (54.6 cm) folded.**  
**Maximum height: 7'11" (2.4 m)**  
**Base diameter: 43"**



**Tota-clamp**

**Code: T1-30**  
**Weight: 4 oz (113 g)**  
 Clamps onto pipes and objects up to 1 7/8" (4.8 cm) thick.



**Safety Cable (3)**

**Code: CM-50**  
**Size: 34" (86.4 cm)**  
 Braided stainless-steel cable adds security to lights and accessories that are attached to overhead pipes, beams, dropped-ceiling grids, etc. (Set of 3).

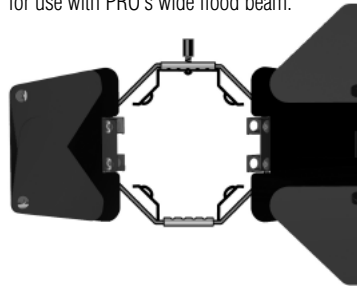
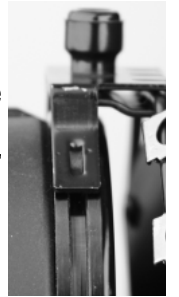


For location studio use, hang PRO LED upside down from Tota-clamp. Always use securely with Safety Cable, looped thru the hole in the stand yoke, and around the pipe.

**Barndoors**

Use the clip-on 360° rotating barndoors to trim unwanted output spill, (for example: to reduce risk of shadow in your shot caused by use of overhead boom microphones). The 2 doors are spring clipped to the rotating frame, and can be repositioned as needed. They will expand for use with PRO's wide flood beam.

To remove the barn door frame from the light, loosen the locking knob sufficiently to release the spring tension of the frame. When reattaching, make sure the guides of the frame are fully resting in the recessed groove of the frame attachment ring.



**PRO Expandable Barndoor Leaf**

**Code: G5-24**  
 To supplement the 2 supplied barndoors for 3 or 4 door use. Can also combine with PRO Gel Frame & diffusion to create smaller soft box effect.



**Lowel-Light Manufacturing, Inc.**

90 Oser Avenue, Hauppauge, N.Y. 11788  
 Call: 800 645-2522 or 631-273-2500  
 Fax: 631-273-2557  
 e-mail: info@lowel.com  
 www.lowel.com

