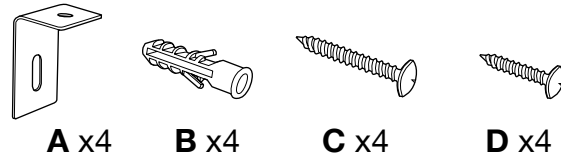


# Wall-mounted Blackboard Instructions

**Note:** After assembly, remove the protective film from the board with a utility knife.

**Parts List** Note: Hardware provided is for drywall installation. If attaching to other material fasteners are to be furnished by others.

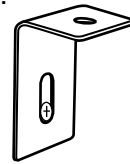
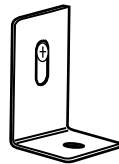


## Tools Required

- Tape Measure
- Chalk Line
- Drill
- 1/4" Drill Bit
- Extended Drive 1/2 Phillips
- Hammer

08/22/13

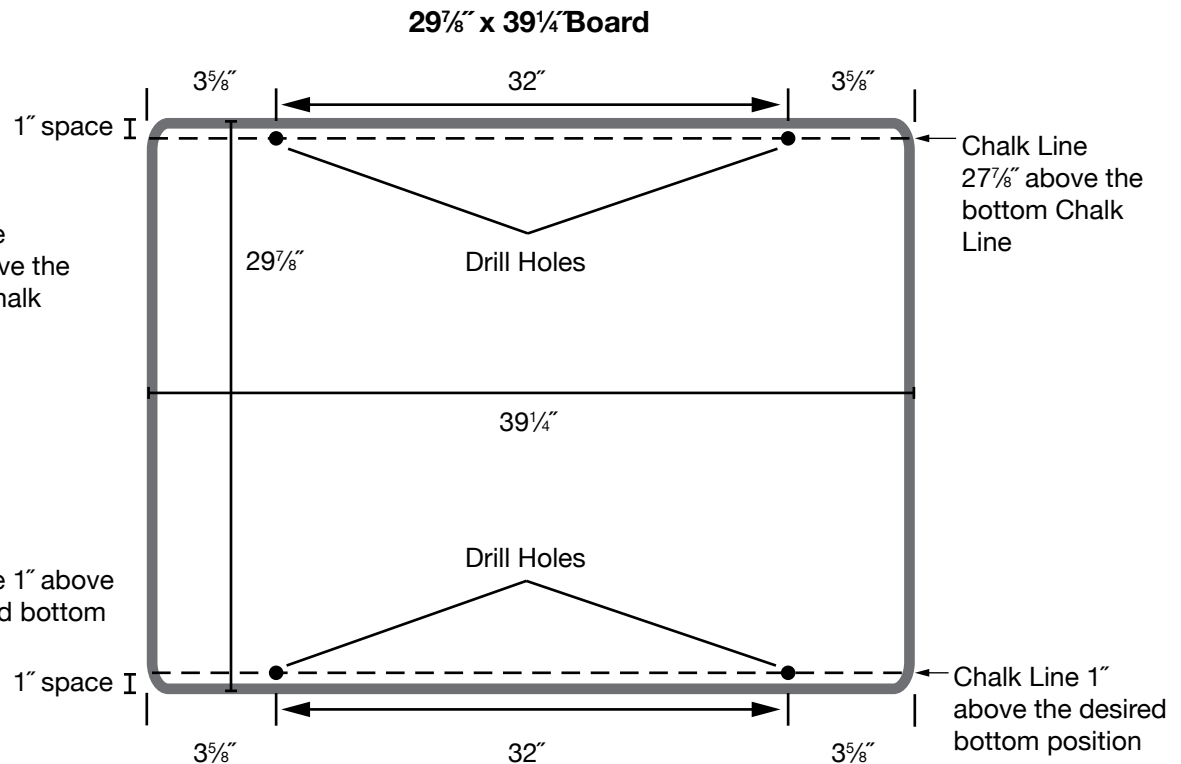
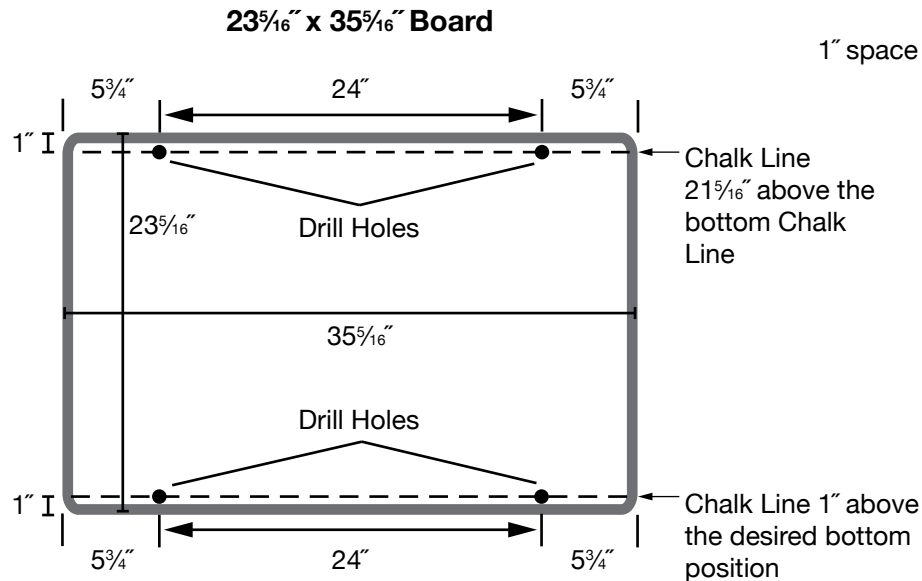
- 1** Snap two horizontal chalk lines at the desired height. If attaching to drywall drill eight 1/4" holes as specified.
- 2** Insert drywall anchors **B** into holes then attach brackets **A** at the bottom with screw **C** making sure the bracket is in the lowest position.
- 3** Attach brackets **A** at the top with screw **C** making sure the bracket is in the highest position. Tighten screw just enough so that the bracket can be tapped down with hammer.
- 4** Place black board on lower brackets making sure to center it. Attach bracket to wallboard using screw **D** starting with the middle lower bracket.
- 5** Tap the top brackets down so they are touching the top of the board. Attach bracket to wallboard using screw **D**.



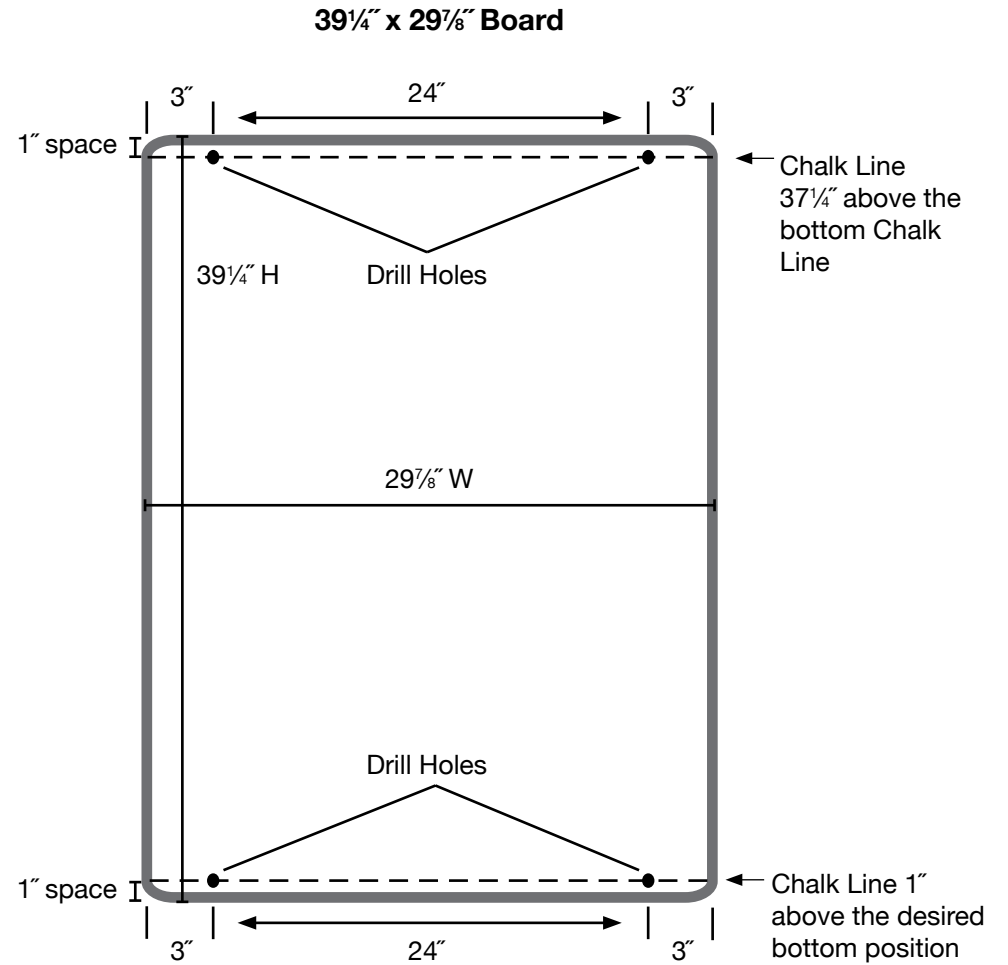
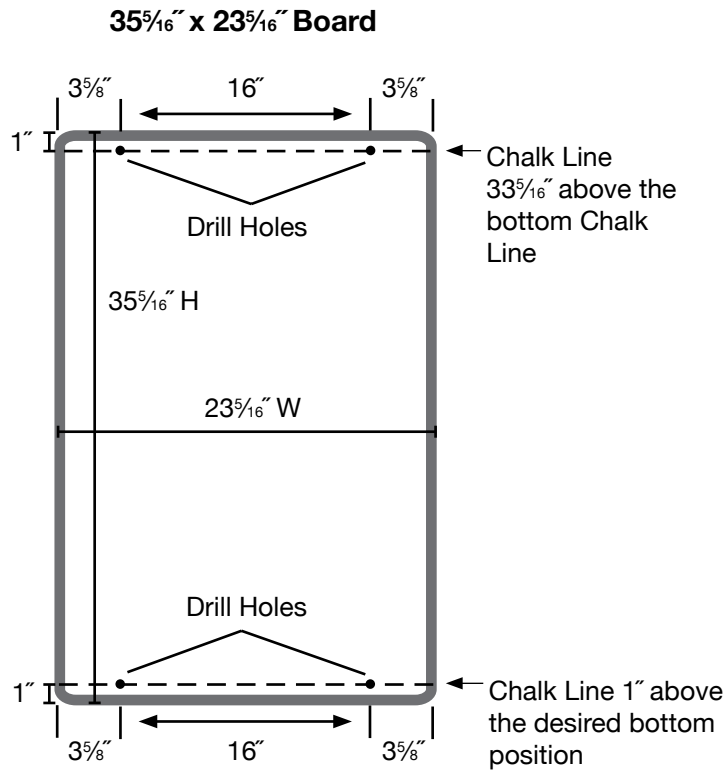
**NOTICE ON BLACKBOARD UNITS**

Do not use dry erase markers on black board units. Only Neon Wet-Erase markers should be used on the black board's surface. Sold separately.

## Horizontal Orientation



**Vertical Orientation**



**NOTICE**

Do not use dry erase markers on this black board. Only Neon Wet-Erase markers should be used on this board's surface. Sold separately.