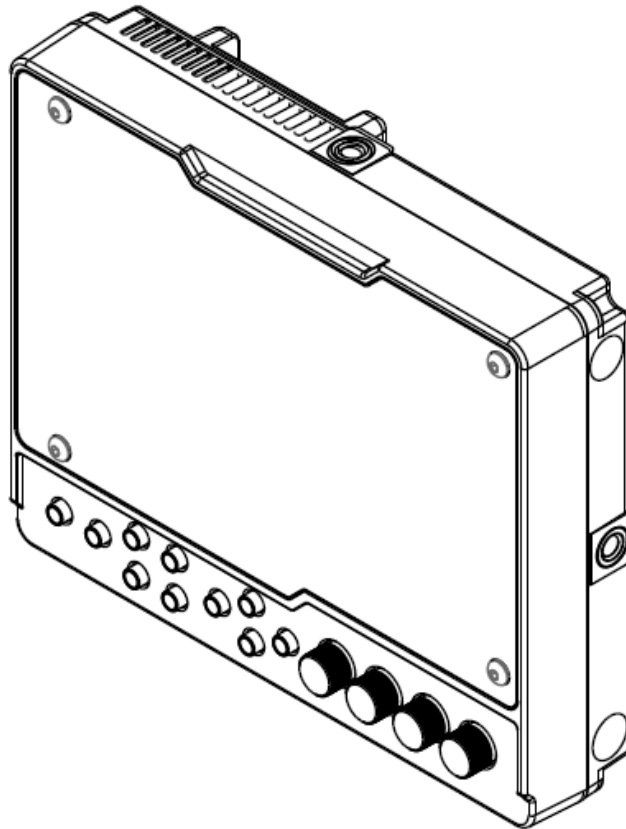


Marshall Electronics

Model No. **V-LCD56MD**

5.6" Camera-Top Monitor with Modular Input/Output



Operating Instructions

Edition 3 Revision 6W

This page intentionally left blank

Table of Contents

Installation and Initial Setup	5
Top and Front Panel Features	6
Rear Panel Features	7
Compatible Input Formats	8
MAIN MENU AND NAVIGATION	9
Using the menu buttons.....	9
Using the RotoMenu (BRIGHT) knob.....	9
Scaling Submenu	10
Color Submenu	13
Markers Submenu	15
Filters Submenu.....	17
Audio Submenu	22
Signal Analysis Submenu	23
User Settings Submenu	24
System Submenu	26
Specifications	28
Dimensions	29
Maintenance	30
Warranty	30

This page intentionally left blank

Installation and Initial Setup

■ Unpacking

Carefully unpack the V-LCD56MD monitor and verify that the following items are included:

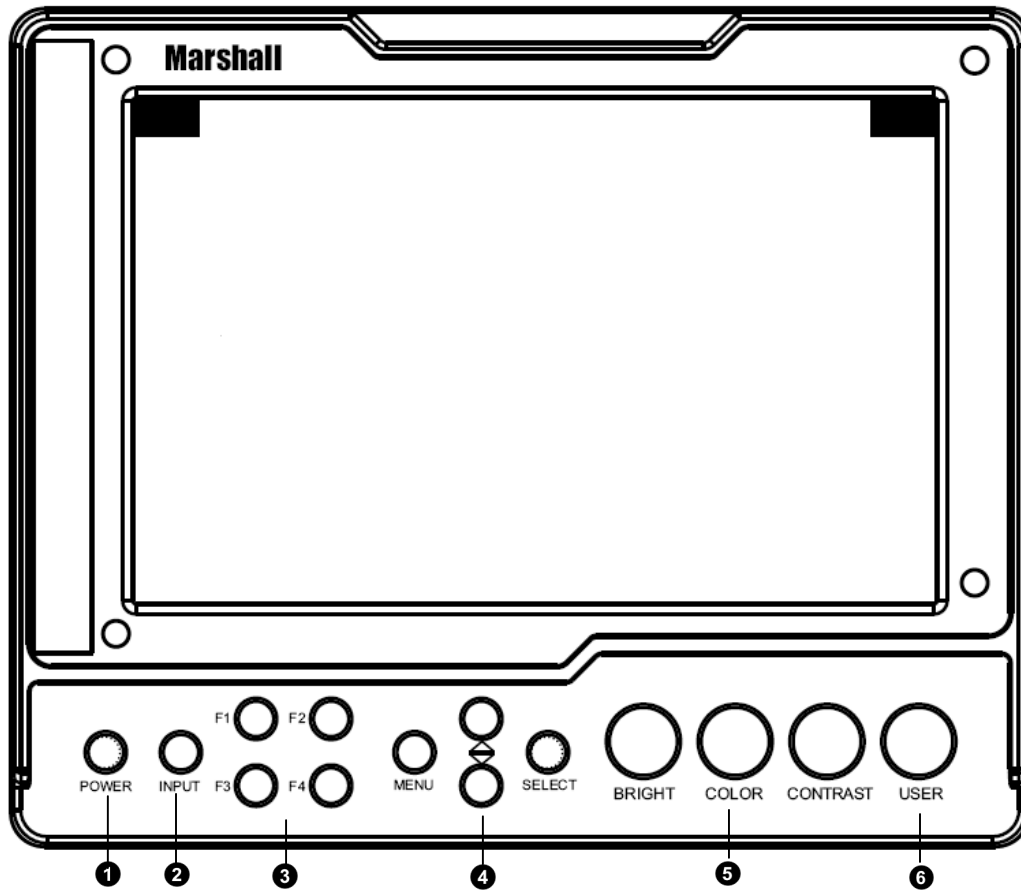
- V-LCD56MD Monitor
- V-PS12V-2A-R/APower Supply
- Operating Instructions

Inspect the unit for any physical damage that may have occurred during shipping. Should there be any damage, immediately contact Marshall Electronics at (800) 800-6608. If you are not located within the continental United States, call +1 (310) 333-0606.

■ Connections, Power-On and Initial Setup

Plug the power supply into an AC power source (100-240 V @ 50/60 Hz). Attach the Power connector to the back of the monitor. Connect the required cables for video signal input and output. (Power must be applied to the V-LCD56MD for the active loop-through output to be activated.) The monitor defaults to 'ON' when power is supplied. Video will automatically be detected and displayed on the screen.

Top and Front Panel Features



❶ Power Button

Turn the display ON or OFF by pressing the power button. In the ON state, the LED on the power button will dim. In the OFF state, the LED on the button will be at full power.

❷ Input Select Button

Use the Input select button to switch between the on-board HDMI input or (if available) the module Input.

❸ User-Definable Function Buttons

Four user-definable function buttons can be used for direct access to various settings. Functions are assigned using the on-screen menu or by highlighting a function and pressing one of the function buttons. See [User Settings Submenu](#) for information on changing Functions.

❹ Menu Navigation Buttons

Use the Menu, ↑, ↓, and Select buttons to display and navigate the on-screen menu. See [MAIN MENU AND NAVIGATION](#) for details on using the Menu.

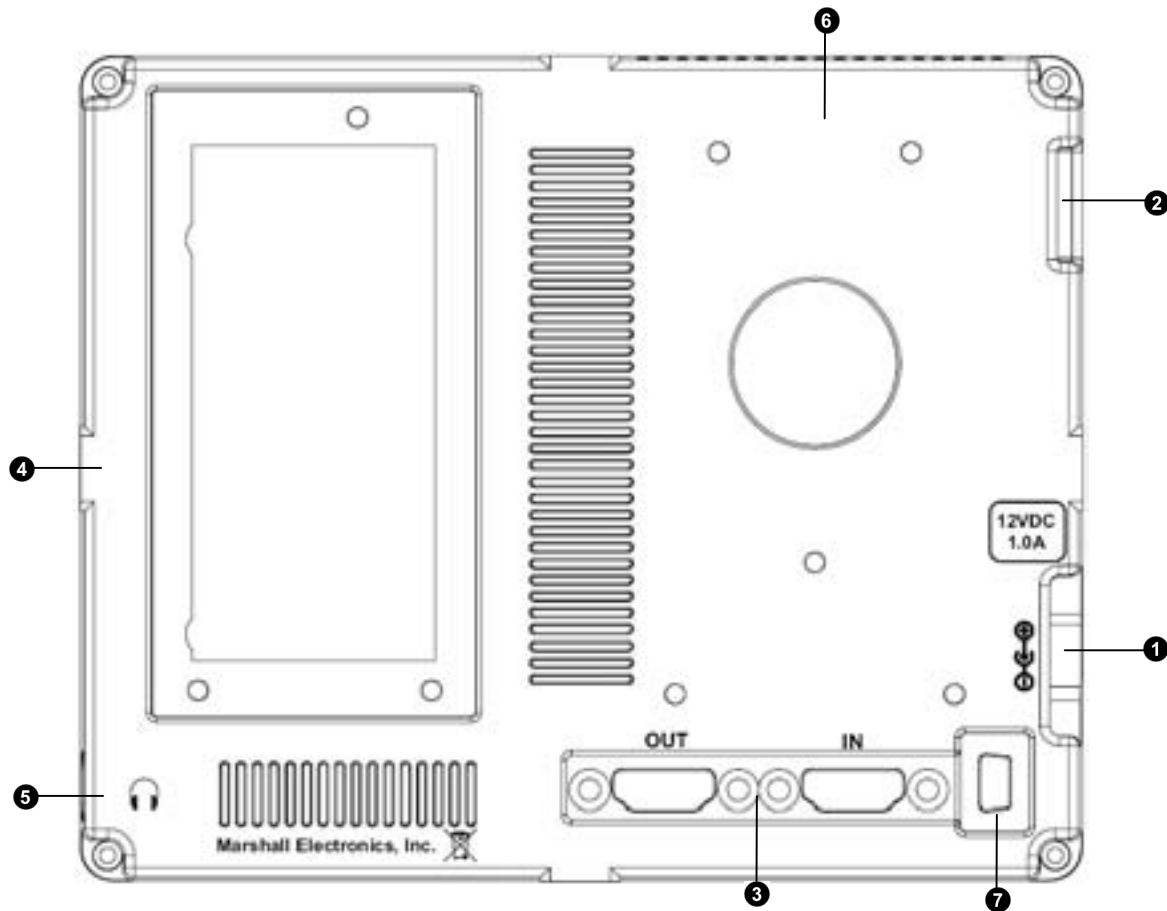
❺ Image Adjustment Knobs

Use the image adjustment knobs to adjust color saturation, brightness and contrast of the image. The status of each image adjustment parameter is shown on the bottom left of the screen, with values ranging from 0 to 100. Pressing a knob once displays the current value. Pressing a knob twice resets the value to the default setting.

❻ User Control Knob

The USER control knob can be customized to control multiple functions. Change the function of this knob in the MENU. See the [User Settings Submenu](#) for more information.

Rear Panel Features



❶ Power Connector

Insert the included Power Supply Coax end in this location. Power can be supplied from the included power supply or from a variety of DC sources supplying the appropriate voltage. See the [Specifications](#) section for more information.

❷ Power Switch

This power switch controls power to the monitor from the DC Power Connector or the custom Battery Adaptor. The monitor will always attempt to draw power from the DC connector first if both the DC Power Connector and a Battery are installed simultaneously.

❸ HDMI Input and Output

The V-LCD56MD has one HDMI input and one active loop-through output. The HDMI Output is HDCP Compliant and will NOT pass through HDCP protected content. See [Compatible Input Formats](#) for details on accepted formats.

❹ Module Slot

Use the Module slot to install any of the compatible MD Series modules. This will function as your second video input or output.

❺ Stereo Headphone Jack

The 1/8" Headphone jack on monitor's side takes two channels of embedded HDMI or SDI audio and provides an audio signal. See the [Audio Submenu](#) for information on working with audio capabilities.

❻ Battery Adaptor Mount

Use this area to attach an optional battery mount. Several popular batteries are supported. Contact Marshall Electronics for a complete list of supported mounts.

❼ Upgrade Port

For upgrade / debugging purposes ONLY. Please contact Marshall Electronics before attempting to use this port.

Compatible Input Formats

MD-3GE

525i/60, 625i/50
720p/25, 29.97, 30, 50, 59.94, 60
1080p/23.98, 23.98sF, 24, 24sF, 25, 29.97, 30
1035i/59.94, 60
1080i/ 50, 59.94, 60

3G – Level A

YCbCr, RGB

1080p/ 60, 59.94, 50

MDO-3G (converted from HDMI to SDI)

720p/ 50, 59.94, 60
1080p/23.98, 24, 25, 29, 30
1080p/50, 59.94, 60
1080i/50,59.94,60

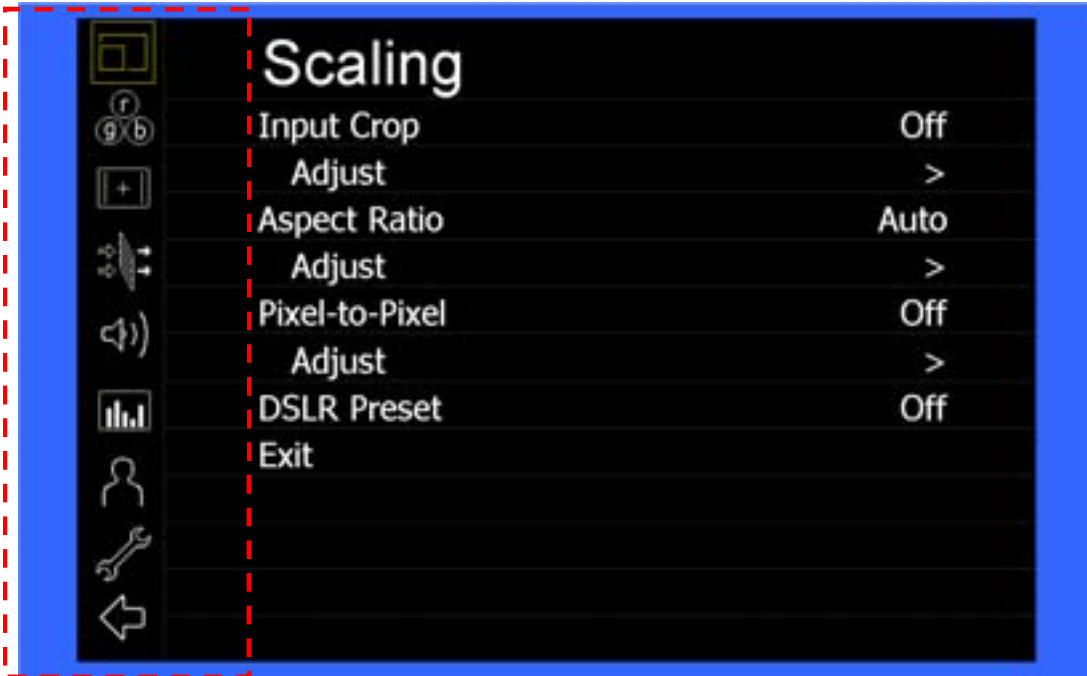
HDMI Input

480p59.94, 576p50
720p/25, 29.97, 30, 50, 59.94, 60
1080p/23.98, 23.98sF, 24, 24sF, 25, 29.97, 30
1080p/ 50, 59.94, 60
1035i/59.94, 60
1080i/ 50, 59.94, 60

*MDO-3G Module Output is converted from HDMI Input. HDCP protected content will not be looped through

MAIN MENU AND NAVIGATION

Access and navigate the main menu using the [4 menu buttons](#) or the RotoMenu™ knob:



Main Menu

Using the menu buttons

- Press the MENU button to enter the main menu.
- Use the ↑ and ↓ buttons to scroll through the main menu or each submenu.
- Press the SELECT button to enter a submenu or choose a setting.
- Press the MENU button to exit the main menu, or return to the main menu from a submenu.

Using the RotoMenu (BRIGHT) knob

The Marshall Electronics RotoMenu concept has been brought to our line of camera top monitors to make navigating the Main Menu easier than ever. To RotoMenu functionality has been integrated into the BRIGHT knob, so that whenever the Main Menu is up,

- Press the MENU button to enter the main menu.
- Rotate the BRIGHT knob to scroll up or down in the main menu or each submenu.
- Press the BRIGHT knob to enter a submenu or choose a setting.

By default, the menu automatically times out after 15 seconds of being idle.

Scaling Submenu

Use the Scaling submenu to adjust various scaling options and to allow greater control of how your video signal is shown on the display.



Scaling Submenu

■ Input Crop

Enable the Input Crop function to select the area of active video that you would like shown on the image display. Select the desired Input by accessing the Adjust option below the main function:

Adjust

- Use the BRIGHT knob to move the selection box LEFT and RIGHT.
- Use the COLOR knob to move the selection box UP and DOWN.
- Use the CONTRAST knob to move the right border LEFT and RIGHT.
- Use the USER knob to move the bottom border UP and DOWN.



When you are satisfied with the position, press the SELECT button or press the BRIGHT knob to confirm your selection.



The new cropped selection will be displayed on the screen. If your Aspect Ratio is set to AUTO, the monitor will select the closest aspect ratio to the dimensions of your customized Input.

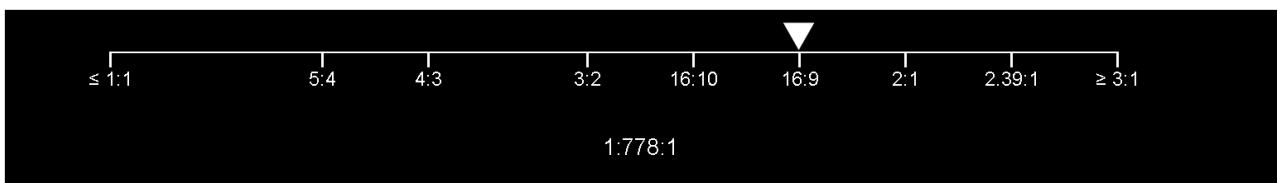
■ Aspect Ratio

Use this menu option to switch between several aspect ratio settings.

- In 4:3 mode, images are scaled up or down to fill the maximum 4:3 portion of the screen.
- In 16:9 mode, images are scaled to fill the entire 16:9 screen.
- In Full Screen, images are scaled to fill the entire screen.
- In Custom mode, images scaling is adjusted to your selection in the Adjust portion of the menu:

Adjust

Use any of the rotary knobs to select your desired aspect ratio. Some of the more common aspect ratio settings are shown on the Aspect Ratio selection widget. As you move along the scale, your current aspect ratio will be displayed below the widget.



Aspect Ratio selection widget



Custom Aspect Ratio selection

■ Pixel-to-Pixel

Use this setting to enable Pixel-to-Pixel mode.

This mode bypasses the monitor's internal scaling function and displays images in their native resolution and aspect ratio, with a one-to-one mapping of incoming image pixels to screen pixels:

- For incoming formats smaller than the native resolution of the screen (or selected aspect ratio), the image will be displayed in the center of the screen using only the necessary LCD pixels. For example, 720p images will occupy exactly 1280x720 pixels in the center of the screen. The surrounding screen area will be black.

To select a Custom Pixel to Pixel zone, enter the Adjust function:

Adjust



The outer square represents the entire image and the inner grey box represents your current Pixel to Pixel selection. Use the COLOR knob to move your selection LEFT and RIGHT. Use the CONTRAST knob to move your selection UP or DOWN. Press the SELECT button or the ROTOMENU knob to lock in your selection.

■ **DSLR Preset**

Use the DSLR Preset option to reduce the visibility of on screen indicators shown with popular DSLR cameras. The available options are :

- NK 16:9
- NK 3:2
- CN 16:9
- CN 3:2

Color Submenu



IMD Configuration Submenu

■ **Temperature**

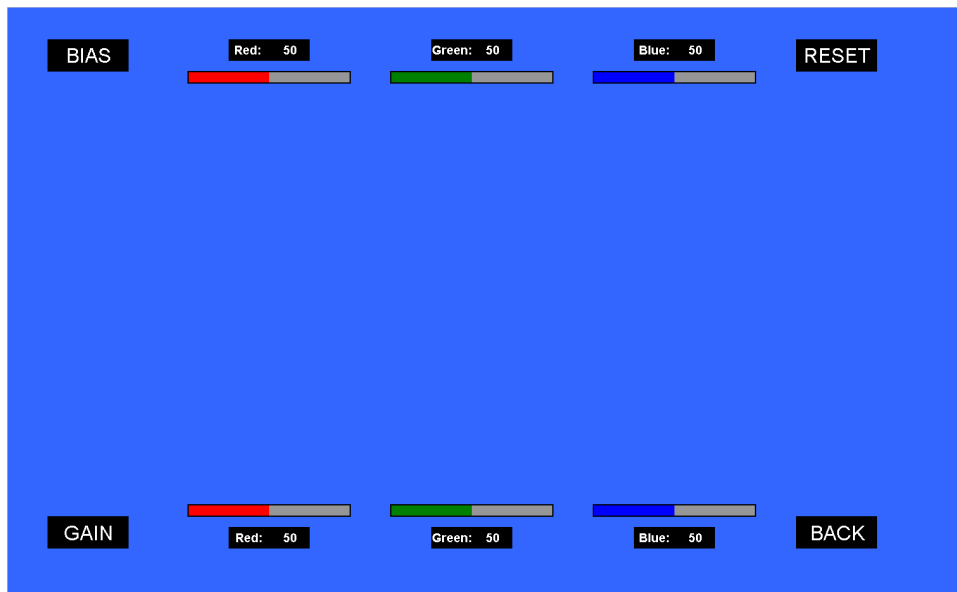
Use this setting to choose one of three color temperature presets:

- D55 (5500K)
- D65 (6500K)
- D93 (9300K)
- Custom (Adjustable Color Bias and Gain)
- Linear (No processing is applied to the panel)

■ **Bias & Gain**

Select this submenu to fine-tune the monitor's color balance (R, G, B). This should only be done by someone experienced with video engineering, as this will alter the overall color shading of the screen. The purpose is to allow color matching to other types of monitors and/or displays. Note: The Color Temperature preset will automatically switch to Custom when Color Bias settings are adjusted. It is normal for color bias adjustments to be very subtle.

When selecting the RGB Bias and Gain submenu, bias adjustment indicators will appear at the top of the screen, and gain adjustment indicators will appear at the bottom of the screen:

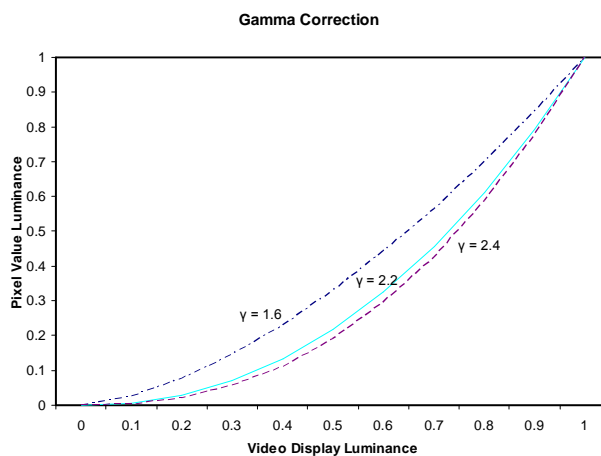


Use the ▲ and ▼ buttons to select each individual bias or gain control. Highlighting the BIAS or GAIN icons enables a group change of the Red, Green and Blue color components, respectively. Alternatively, you can use the BRIGHT knob to scroll through the different color components and settings.

After selecting the color component to adjust, use the ▲ and ▼ buttons to increase or decrease the value.

■ Gamma

Use the Gamma setting to adjust the value of the gamma applied to incoming video signals. The default gamma value is 2.2. Gamma correction represents the relationship between the pixel levels from your incoming video and the luminance of your monitor. The lowest gamma level available, 1.6, will cause the image to appear brighter. The highest gamma level available, 2.4, will cause the image to appear darker. The chart below shows this on a scale.



- **Color Space**

Use this setting to automatically detect (Auto) or select the color space (RGB or YCrCb) of incoming HDMI video. This should match the color space of the video output settings on your playback device.

Markers Submenu

Use the Markers submenu to select various types of markers and settings in 4:3, 16:9, or Full Screen mode.



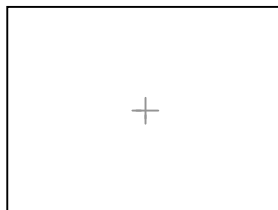
Markers Submenu

- **Marker Enable**

The Marker Enable setting turns 16:9 or 4:3 screen markers On or Off. By default, this setting is On.

- **Center Marker**

Use this setting to display a center marker on the screen.



Center Marker

■ Marker Selection

Use this setting to adjust and view the settings of 1 of 2 available markers.

■ Presets

Use this setting to superimpose one of 13 markers on the screen or 1 custom setting. This setting is disabled when the Pixel-to-Pixel mode is enabled.

- Off (No Marker)
- 4:3 Aspect Ratio
- 13:9 Aspect Ratio
- 14:9 Aspect Ratio
- 16:9 Aspect Ratio
- 1.85:1 Aspect Ratio
- 2.35:1 Aspect Ratio
- 2.39:1 Aspect Ratio
- 95% Safe Area
- 93% Safe Area
- 90% Safe Area
- 88% Safe Area
- 85% Safe Area
- 80% Safe Area
- Custom

■ Customize

Use this setting to customize the screen markers by using the BRIGHT, COLOR, CONTRAST and USER knobs. These control the LEFT, RIGHT, TOP and BOTTOM edges, respectively.



Each Marker (1 or 2) can be fully customized in this fashion.

■ Line Width

Use this setting to choose the width of the marker lines, from 1 px (thinnest) to 10 px (widest).

■ Line Color

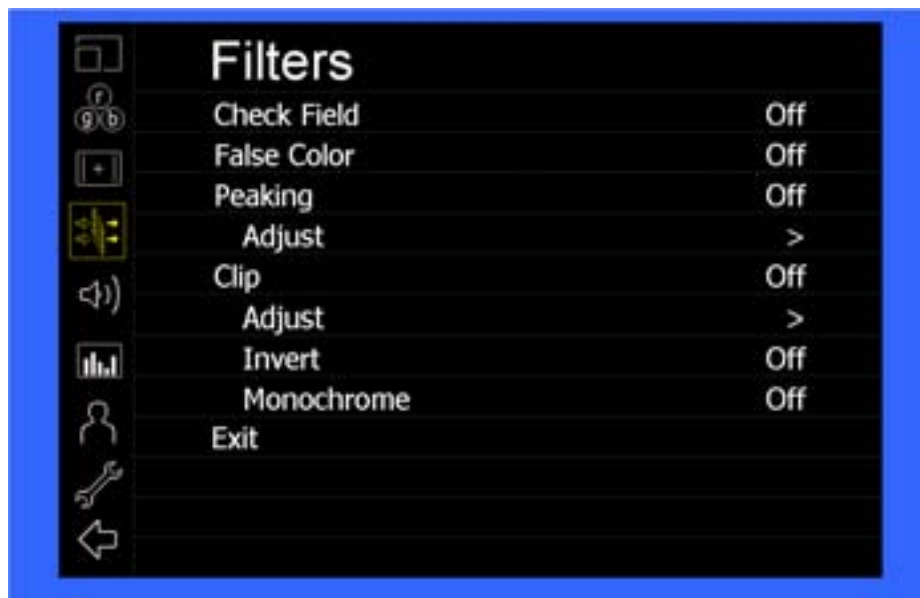
Use this setting to select a custom color for the Screen Markers. You can choose between White (default), Yellow, Red, Green and Blue.

■ Transparency

Use this setting to select the transparency of the marker background. Choose between 0% (black) , 25%, 50%, 75% and 100% (see through) transparency.

Filters Submenu

Use the Filters Submenu to enable various modes.



■ Check Field

Use the check field modes for monitor calibration or to analyze individual color components of an image. In Monochrome mode, all color is disabled and only a grayscale image is shown. In Blue, Green, and Red check field modes, only the selected color will be shown.

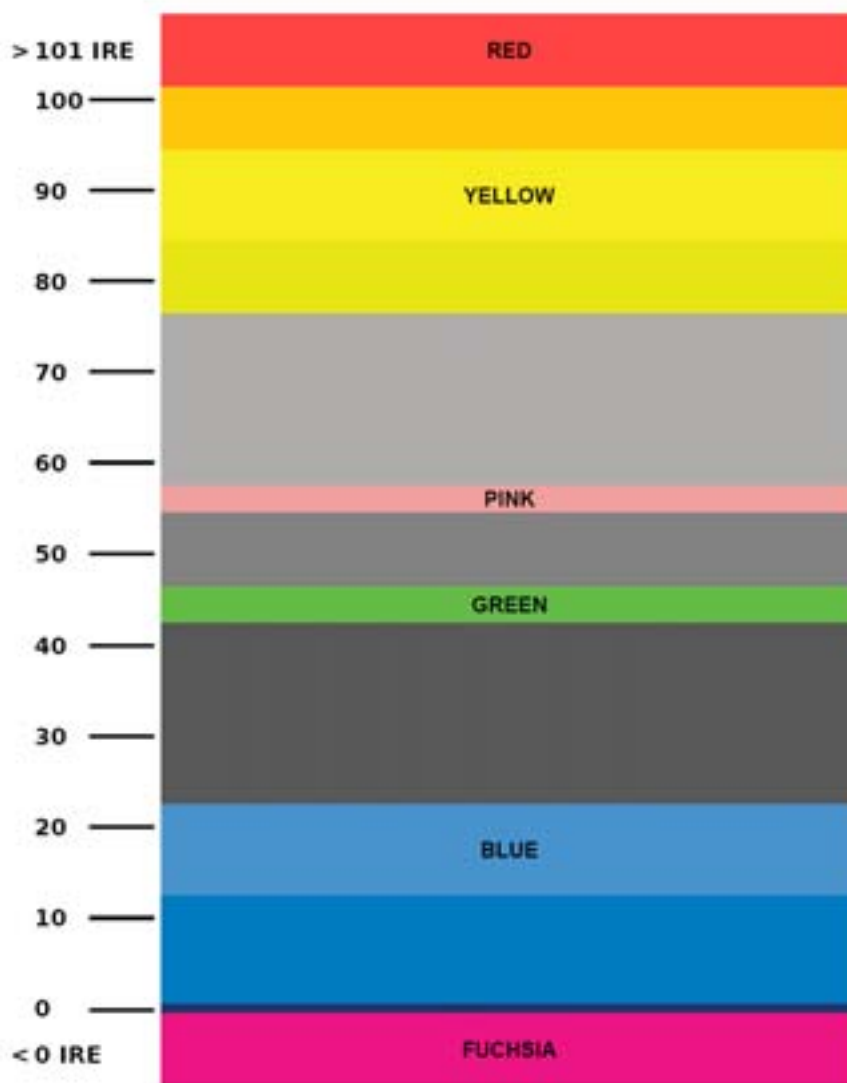
Use the following procedure when calibrating the monitor to SMPTE color bars with the following procedure:

1. Allow the monitor to warm up for at least 5-10 minutes.
2. Display SMPTE split-field color bars on the monitor using an external source.
3. Enable **Monochrome mode**.
4. Locate the pluge pattern (super black, black, and gray bars) at the lower-right corner of the screen. Adjust the **Brightness** knob until there is no visible difference between the super black and black bars, but the gray bar is still visible.

5. Adjust the **Contrast** knob until an even grayscale appears along the top bars.
6. Disable **Monochrome mode**.
7. Enable **Blue Check Field mode** and adjust the **Color** knob so that the outermost bars (white and blue) appear to match in brightness.
8. Disable **Blue Check Field mode**.

■ False Color

This monitor has a false color filter to aid in the setting of camera exposure. As the camera Iris is adjusted, elements of the image will change color based on the luminance or brightness values. This enables proper exposure to be achieved without the use of costly, complicated external equipment. To best utilize this feature, you must understand the color chart below and have a basic understanding of camera exposure. Normally, when shooting subjects like people, it is common practice to set exposure of faces to the equivalent of approximately 56 IRE. The false color filter will show this area as the color PINK on the monitor. Therefore, as you increase exposure (open the IRIS), your subject will change color as indicated on the chart: PINK, then GREY, then a few shades of YELLOW. Over exposed subjects (above 101 IRE) on the monitor will be shown as RED. In addition, underexposed subjects will show as DEEP-BLUE to DARK-BLUE, with clipped-blacks indicated with a FUCHSIA-like color. Lastly, the color GREEN is used to indicate elements of the image that are approximately 45 IRE. This represents a 'neutral' or 'mid-level' exposure commonly used for objects (not people).



False Color Key

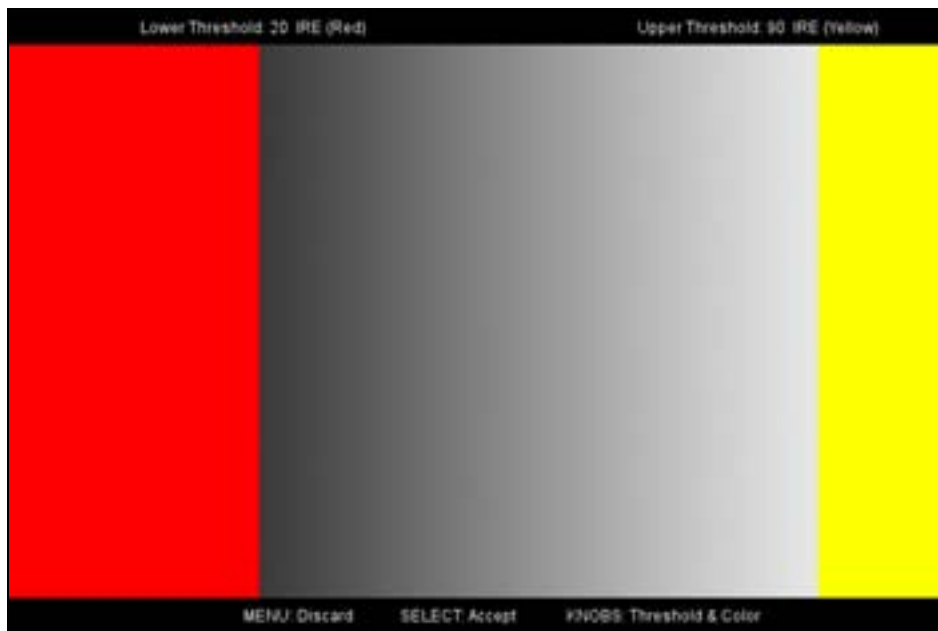
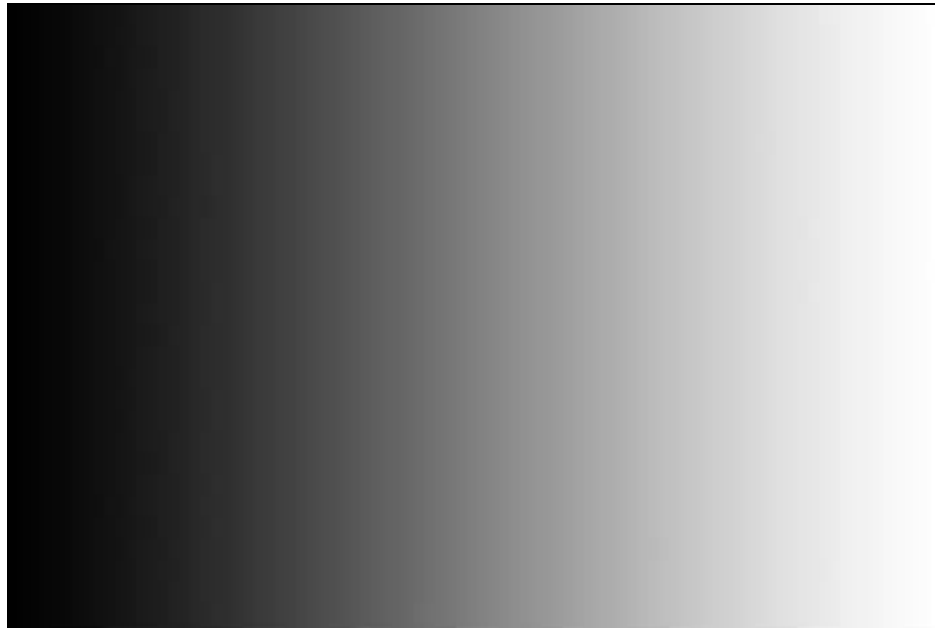
- **Peaking (Focus assist)**

The Peaking Filter is used to aid the camera operator in obtaining the sharpest possible picture.

You can turn the Peaking filter ON and adjust the Threshold and Color by accessing the Adjust function. Use the BRIGHT knob to adjust the Threshold. Adjusting the Threshold to a higher value forces the Peaking algorithm to react quicker to objects that are in focus. Use COLOR knob to adjust the Color. Your choice is are Red (default), Yellow, Pink, Green and Blue.

- **Clip**

The Clip function is used to visually filter data on the screen that is under a Lower Threshold or over an Upper Threshold. Data on either side of the filters can be filtered with a custom color.



The Lower Threshold numerical value and color can be adjusted using the BRIGHT and COLOR knob, respectively. The Upper Threshold can be adjusted using the CONTRAST and USER knob, respectively.

In the image above, the Lower Threshold has been set to 20 IRE (Red). This means that any part of the image UNDER 20 IRE will be “colored” in RED. Also, the Upper Threshold has been set to 90 IRE (Yellow). This means that any part of the image OVER 90 IRE will be “colored” in YELLOW.

- **Invert**

The Clip function can also be inverted to filter the area between the Upper and Lower Threshold. The color selected for the Lower Threshold acts as the color for all inverted Clip data.



In the image above, the Lower Threshold is set to 20 IRE and the Upper Threshold is set to 90 IRE. The Clip Invert will filter all data in between 20 IRE and 90 IRE and color it RED.

- **Monochrome**

Enabling Monochrome in the Clip filter will convert all video to monochrome first, and then apply the Clip filter. This helps visually filtered data stand out from regular color video.

- **Apply To Waveform**

Enabling Monochrome in the Clip filter will convert all video to monochrome first, and then apply the Clip filter. This helps visually filtered data stand out from regular color video.

Audio Submenu

Use the Audio Submenu to enable and adjust the various Audio functions available.



- **Volume**

Use this function adjust the volume of the Headphone jack audio signal.

- **Mute**

Use this function to Mute (ON) or Unmute (OFF) the audio output from the Headphone jack.

- **Channels**

Use this function to select which stereo audio pair to route to the headphone jack.

HDMI options are stereo pairs 1-8.

Modular options are stereo pairs 1-16.

Signal Analysis Submenu

Use the Video Configuration submenu to select various video settings such as monochrome mode or blue-only mode.



Signal Analysis Submenu

- **Enable**

Use this setting to enable the signal analysis instruments selected in the Layout mode.

- **Layout**

Select which of the signal analysis instruments to display on screen. You can display an Audio Meter (Audio) or a Waveform monitor (VIDEO) or both simultaneously.

- **Position**

Select the location of the Signal Analysis instruments on the screen. Choose between Bottom-Right, Bottom-Left, Top-Left and Top-Right.

- **Transparency**

Adjust the transparency of the Signal Analysis instruments on the screen. Choose between 0% (completely blocking video in background) , 25% (Default), 50% and 75% (show the most amount of video possible).

User Settings Submenu

Use the User Settings submenu to customize User Settings and Function buttons on the monitor's keypad for easy access to frequently used features.



■ Save State

Use this setting to save the state of the monitor to 1 of 6 available slots.

■ Load State

Use this setting to load a previously configured monitor state. You can also load the Manufacturer Default state (*MFG Settings*)

■ User Knob

Use this setting to select the function of the USER knob on the monitor's rotary encoder section. Choose between Volume (default), Peaking Threshold (used with the Peaking function) and Backlight.

■ F1, F2, F3, F4

Use this setting to select the functions to be activated by the F1-F4 buttons on the monitor's keypad. Choose between the following options:

- Aspect Ratio Toggle through Aspect Ratio Settings
- Pixel to Pixel Enable/disable Pixel to Pixel
- DSLR Preset Toggle through DSLR Preset settings
- Color Temperature Toggle through Color Temperature presets
- Gamma Toggle through Gamma settings
- Color Space Switch between YCbCr and RGB Color Space (HDMI ONLY)
- Marker Enable Enable/disable On-Screen Markers
- Center Marker Enable/disable the Center Marker
- Marker Select Toggle between two different On-Screen Markers
- Marker Preset Toggle through On-Screen Markers

- Marker Width Toggle through On-Screen Marker widths
- Marker Color Toggle through On-Screen Marker colors
- Marker Transparency Toggle through Marker Background Transparency settings
- Check Field Toggle through Check Field options
- False Color Enable/disable False Color filter
- Peaking Filter Enable/disable Peaking filter
- Clip Filter Enable/disable the Clip filter
- Clip: Invert Enable/disable the Clip Invert feature
- Clip: Monochrome Enable/disable the Clip Monochrome feature
- Waveform Clip Enable/disable the Clip filter on the Waveform monitor
- Audio Mute Enable/disable the Audio Mute feature
- Audio Channels Toggle through the available Audio Channels
- Signal Analysis Enable/disable the Signal Analysis feature
- Analyzer Layout Toggle through Analyzer Layout setup (audio, video or both)
- Analyzer Position Toggle through Analyzer on-screen locations
- Analyzer Transparency Toggle through Analyzer transparency settings
- Input Format OSD Toggle through Input Format OSD on-screen time
- Freeze Image Enable/disable the Freeze Image feature
- Splash Screen Enable/disable the Splash Screen on monitor startup
- Curtain Color Toggle through different Curtain Colors
- Menu Time Out Toggle through Menu Time-Out settings
- Input Crop Enable/disable the Input Crop feature

All F(unction) buttons also act as Function Hot Keys, which makes it easy to assign functions to the available F(unction) keys. Simply highlight a function in the menu and press the desired “F” key to assign the function to that key, then press again to confirm the setting. If the function is not available for “F” Hot Key assignment, there will be notification on the screen.

System Submenu

Use the System Submenu Settings to modify general monitor settings.



■ Input Format OSD

Use this setting to modify the appearance of the Input Format OSD. Choose between OFF, ON (always on), or 5 Seconds.

■ Freeze Image

Use this function to Freeze the incoming image display.

■ Backlight

Use this function to adjust the Backlight strength of the panel. Values range from 0 (lowest Backlight setting) to 100 (highest Backlight setting). Values increment by 2.

*Raising the backlight value will increase the amount of current used by the monitor, which will reduce battery time.

■ Splash Screen

Use this setting to save the enable (ON) or disable (OFF) the “Marshall Electronics, Inc.” splash screen on monitor power up.

■ Curtain Color

Use this setting to select between different Curtain Color settings for the monitor. Choose between Blue, Black or Green.

- **Menu Time-Out**

Use this setting to set the Menu Time-Out length. Select between 10-30 seconds (5 second increments) or Off to disable automatic Menu Time-Out.

- **Version**

Use this function to view the current Firmware versions of all monitor components.

Specifications

■ PANEL

Screen Size	5.6" Diagonal
Display Area (h x v)	120.96 x 75.60 mm
Pixels	1280 x RGB x 800
Viewing Angle(h x v)	170° x 170°
Brightness	300 cd/m ²
Contrast Ratio	500:1

■ VIDEO INPUT/OUTPUT

HDMI Input / Output

■ CONNECTORS

HDMI Video Input

1 x HDMI Female Receptacle

HDMI Video Output (Active Loop-Through)

1 x HDMI Female Receptacle

Stereo Headphone Jack

1/8" (3.5mm) Female Jack

Power Input

DC Connector

5.46 x 2.6 mm (Outer Diameter x Inner Diameter)

Optional Module Slot

■ ELECTRICAL

Power Consumption 1.0A @ 12VDC (11 W)

Voltage Requirement 12 VDC

■ MECHANICAL

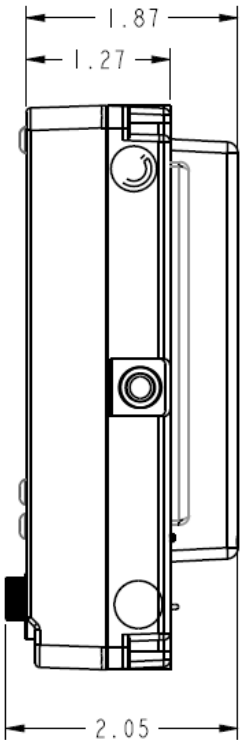
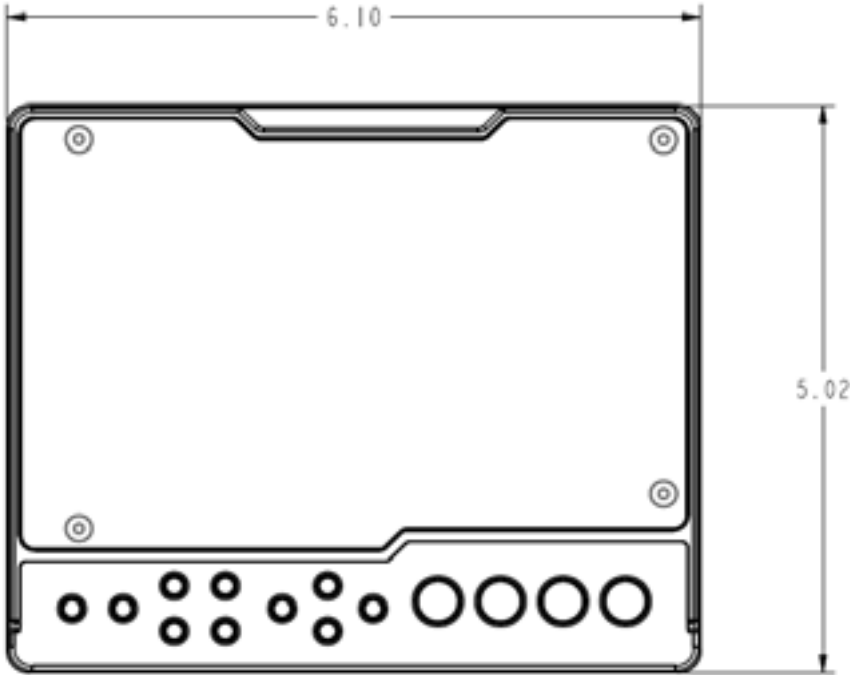
Weight (with rack ears): 1 lbs

Operating Temperature 32°F to 104°F (0°C to 40°C)

Storage Temperature -4°F to 120°F (-20°C to 50°C)

See [Dimensions](#) for exact specifications.

Dimensions



Maintenance

■ Screen Cleaning

Periodically clean the screen surface using ammonia-free cleaning wipes (Marshall Part No. V-HWP-K). A clean micro-fiber cloth can also be used using only non-abrasive and ammonia-free cleaning agents. Do not use paper towels. Paper towel fibers are coarse and may scratch the surface of the polycarbonate faceplate or leave streaks on the surface. Antistatic and fingerprint resistant cleaning agents are recommended. Do not apply excessive pressure to the screen to avoid damaging the LCD.

■ Faceplate Dusting

Dust the unit with a soft, damp cloth or chamois. Dry or abrasive cloths may cause electrostatic charge on the surface, attracting dust particles. Neutralize static electricity effects by using the recommended cleaning and polishing practice.

Warranty

Marshall Electronics warrants to the first consumer that this V-LCD56MD LCD monitor will, under normal use, be free from defects in workmanship and materials, when received in its original container, for a period of one year from the purchase date. This warranty is extended to the first consumer only, and proof of purchase is necessary to honor the warranty. If there is no proof of purchase provided with a warranty claim, Marshall Electronics reserves the right not to honor the warranty set forth above. Therefore, labor and parts may be charged to the consumer. This warranty does not apply to the product exterior or cosmetics. Misuse, abnormal handling, alterations or modifications in design or construction void this warranty. It is considered normal for a minimal amount of pixels, not to exceed three, to fail on the periphery of the display active viewing area. Marshall Electronics reserves the option to refuse service for display pixel failure if deemed unobtrusive to effective use of the monitor by our technicians. No sales personnel of the seller or any other person is authorized to make any warranties other than those described above, or to extend the duration of any warranties on behalf of Marshall Electronics, beyond the time period described above. Due to constant effort to improve products and product features, specifications may change without notice.

This page intentionally left blank

Marshall Electronics, Inc.
1910 East Maple Ave.
El Segundo, CA 90245
Tel: (800) 800-6608 / (310) 333-0606 • Fax: 310-333-0688
www.LCDRacks.com • sales@lcdracks.com