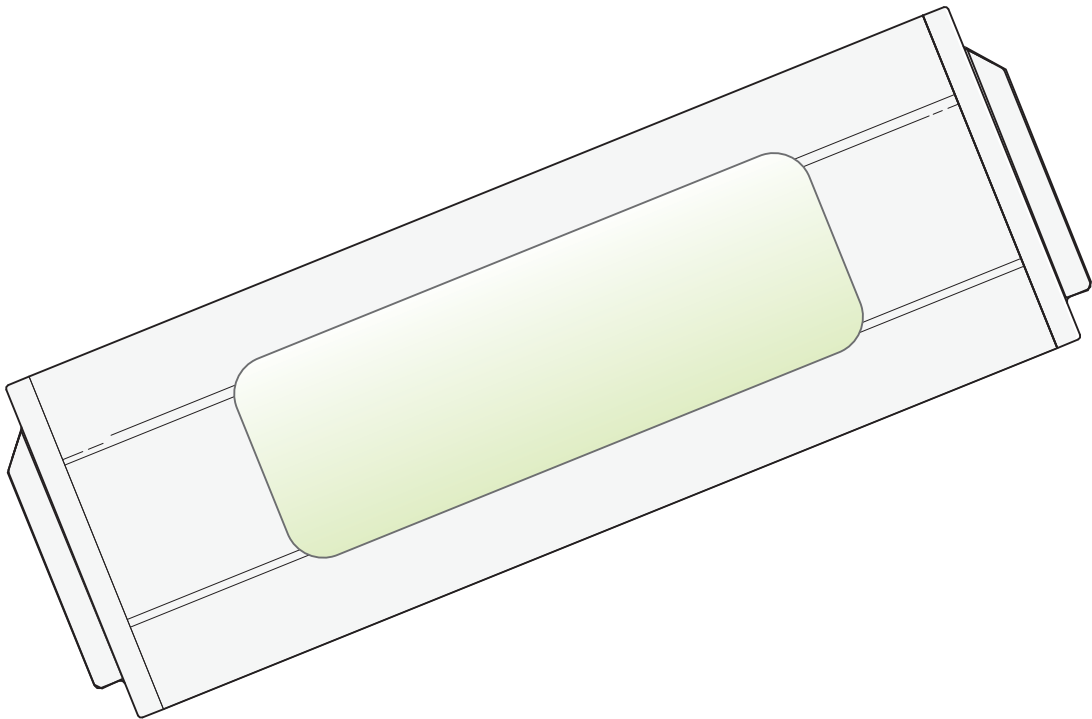




HANDLING INSTRUCTION

opticalCON Coupler | MAINTENANCE





CAUTION: Laser radiation, do not stare into beam!

Do not disassemble opticalCON couplers, if not required. Sealing shutter mechanism of the opticalCON avoids contamination of the ferrule locked inside. Dust-proof design reduces maintenance intervals to a minimum; if nevertheless necessary, follow the maintenance procedure below to avoid damages on ferrules due to improper cleaning.

opticalCON Coupler

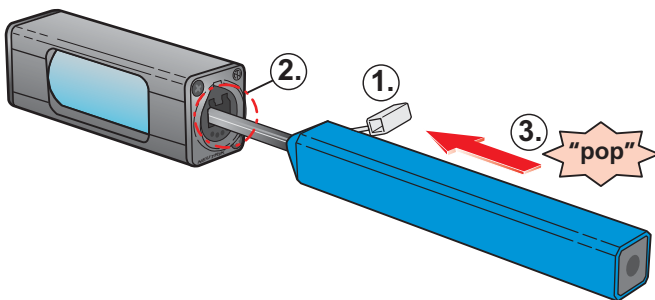


A. Dry Cleaning

Depending on opticalCON coupler, use corresponding DRY-cleaner:

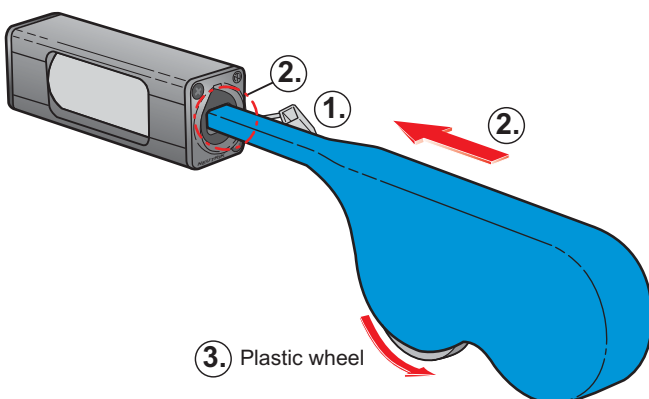
- DUO FOCD-DC125
- QUAD FOCD-DC125
- MTP® FOCD-DCM

DUO & QUAD



1. Remove dust cap. Insert the stick of the cleaning device.
2. Make sure that the insertion position is on the bottom of the LC connector hole in order to hit the sealing shutter release bar.
3. Push the outer shell to start cleaning the LC connector end face. A "pop" sound indicates end of cleaning process.
4. Remove cleaning device and put dust cap on the stick.

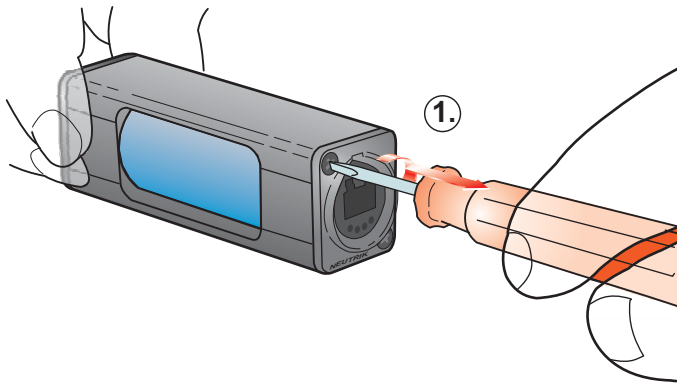
MTP®



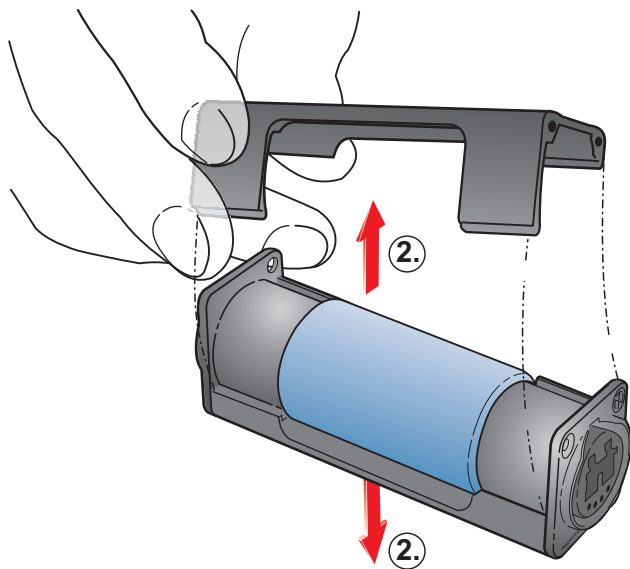
1. Remove dust cap and insert the tip of the dry cleaner.
2. Guide the tip of the dry cleaner into the chassis housing.
3. Rotate the plastic wheel to start the cleaning procedure. An endless lint free tape removes dust particle on the ferrule surface of the MTP® connector on the rear of the chassis.
4. After cleaning procedure, remove dry cleaner and cover the tip with the dust cap.

B. General Overhaul

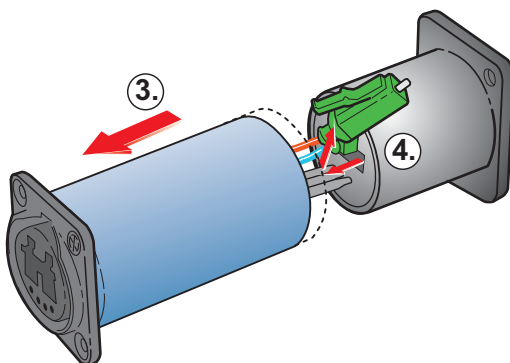
If increased attenuation cannot be reduced with dry cleaning (section A), a general overhaul is recommended. The following cleaning procedure is carried out on the example of an opticalCON DUO coupler.



1. Untighten screws on both opticalCON chassis with a screw driver.



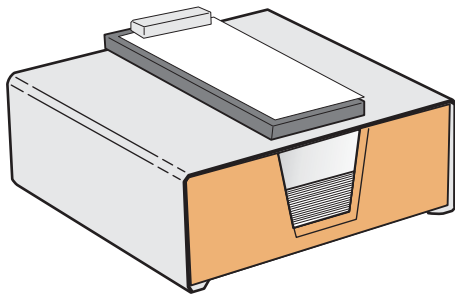
2. Remove top and bottom shelf of metal housing to release the protection tube.



3. Further slide colored protection tube towards to one of the chassis.

4. Carefully disconnect the LC (MTP® - ferrule) on the rear-side of the opticalCON chassis.

Attention: Do not bend the fibers too much. Enhanced risk of macrobending!



5. Fold lint free wipe into a square and fix it with the magnet.
6. Moisten one section of the wipe with one drop of cleaning fluid. Be sure that a portion of the wipe remains dry.
7. Wipe slightly the ferrule tip in the cleaning fluid moistened portion of the wipe. Immediately repeat this wiping action on the dry section as the wipe to remove any residual alcohol.
8. Dispose the wipe. **NEVER REUSE A WIPE.**
9. Repeat the process if required.
10. After cleaning procedure plug in the LC (MTP® ferrule) on the rear side of the chassis. Attach the housing and secure chassis by tighten the screws.