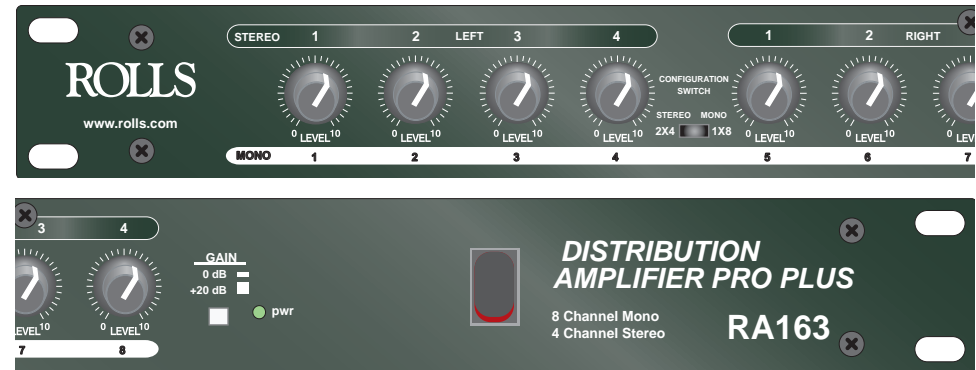


# ROLLS

## RA163 DISTRIBUTION AMPLIFIER



### FEATURES

- Stereo 4 channel or Mono 8 channel audio distribution
- Front panel volume controls
- Balanced inputs and outputs

### SPECIFICATIONS

Input Impedance:	20 K $\Omega$ Balanced
Max Input Level:	+22 dBV
Output Impedance:	100 $\Omega$ Balanced
Max Output Level:	+24 dB
Max Gain:	20 dB
S/N Ratio:	>90 dB
Frequency Response:	10 Hz - 40 kHz, +/- 1 dB
THD:	<.008%
Power:	120 VAC 50-60 Hz, 15VA
Size:	19" x 1.75" x 6.5" (48 x 4.5 x 17 cm)
Weight:	7 lbs. (3 kg)

# ROLLS

ROLLS CORPORATION  
SALT LAKE CITY, UTAH  
08/09

Quick Start Operation Guide

Thank you for your purchase of the ROLLS RA163 Distribution Amplifier. This unit will distribute a mono signal to eight outputs, or a stereo signal to four right and four left outputs. The outputs are designed to drive high-level balanced lines in a sound distribution system.

NOTE: THIS MANUAL ASSUMES THE USER HAS A BASIC WORKING KNOWLEDGE OF AUDIO ELECTRONICS, BALANCED AND UNBALANCED CONNECTIONS, AND PROPER SIGNAL LEVEL SETTING.

DESCRIPTION  
FRONT PANEL



**Mono 1 - 8 / Stereo 1 - 4:** These volume controls vary the level of signal for each indicated output.

**+20dB/0dB Gain switch:** Depressing this switch provides 20 dB of gain to the input signal.

**pwr:** LED indicating the unit's power status.

STEREO/MONO CONFIGURATION

Use the 2X4 - 1X8 switch to change the stereo/mono configuration of the RA163. Follow the silk screening on the unit for proper connection.

REAR PANEL



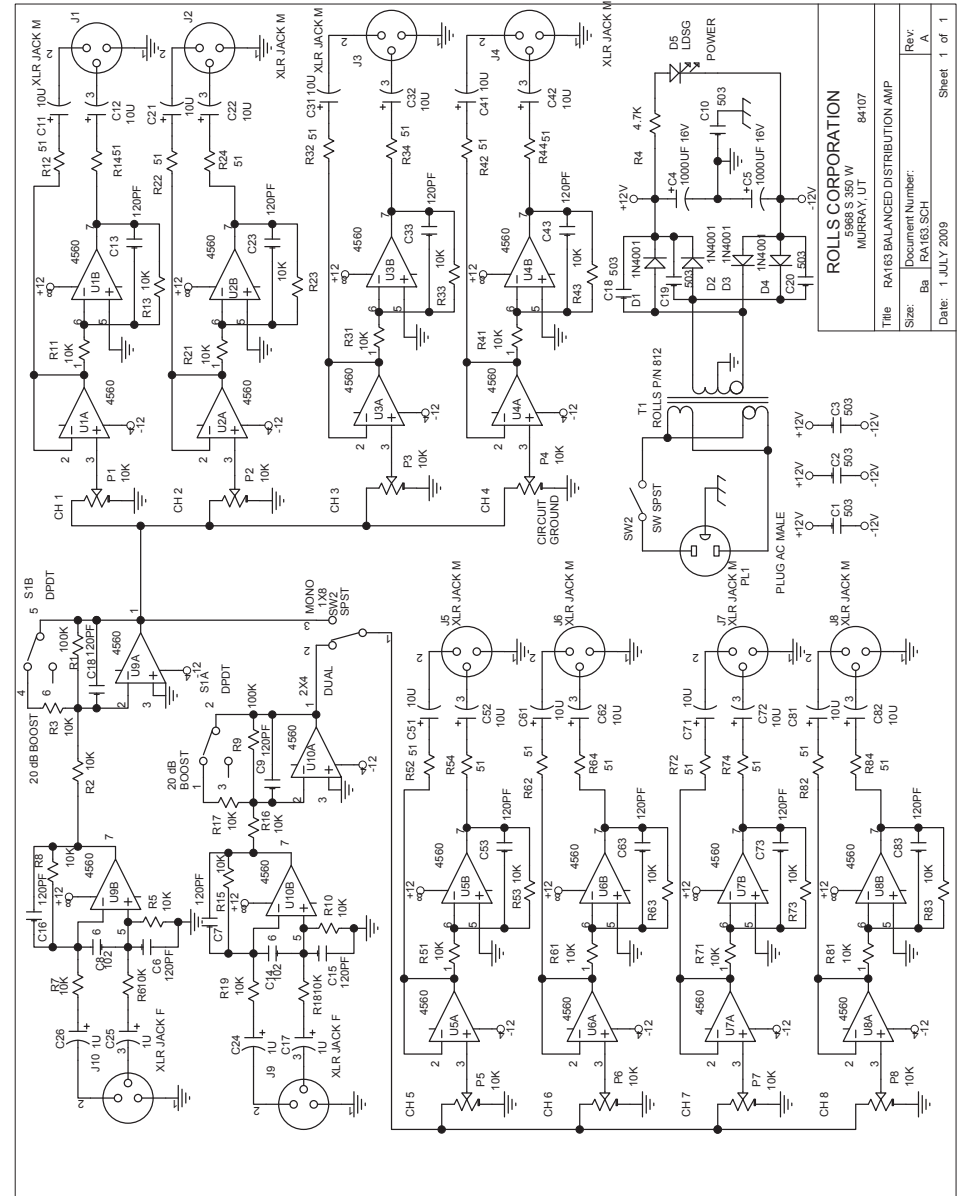
**120 VAC 50/60 HZ 15 VA:** IEC Power Connector - Connect to the power cord, and to a properly grounded AC source.

**INPUTS Right/Mono and Left:** Balanced XLR jacks.

**MONO 1 - 8, STEREO 1 - 4:** Balanced XLR output jacks.

Install the RA163 in a standard 19" rack. The unit is intended for installations where several zones or areas need to be controlled and a high level balanced signal is required to drive the input lines.

SCHEMATIC



<b>ROLLS CORPORATION</b>	
5968 S. 350 W. MURRAY, UT	
Title	RA163 BALANCED DISTRIBUTION AMP
Size	84107
Document Number:	
Rev.	A
Sheet	1 of 1