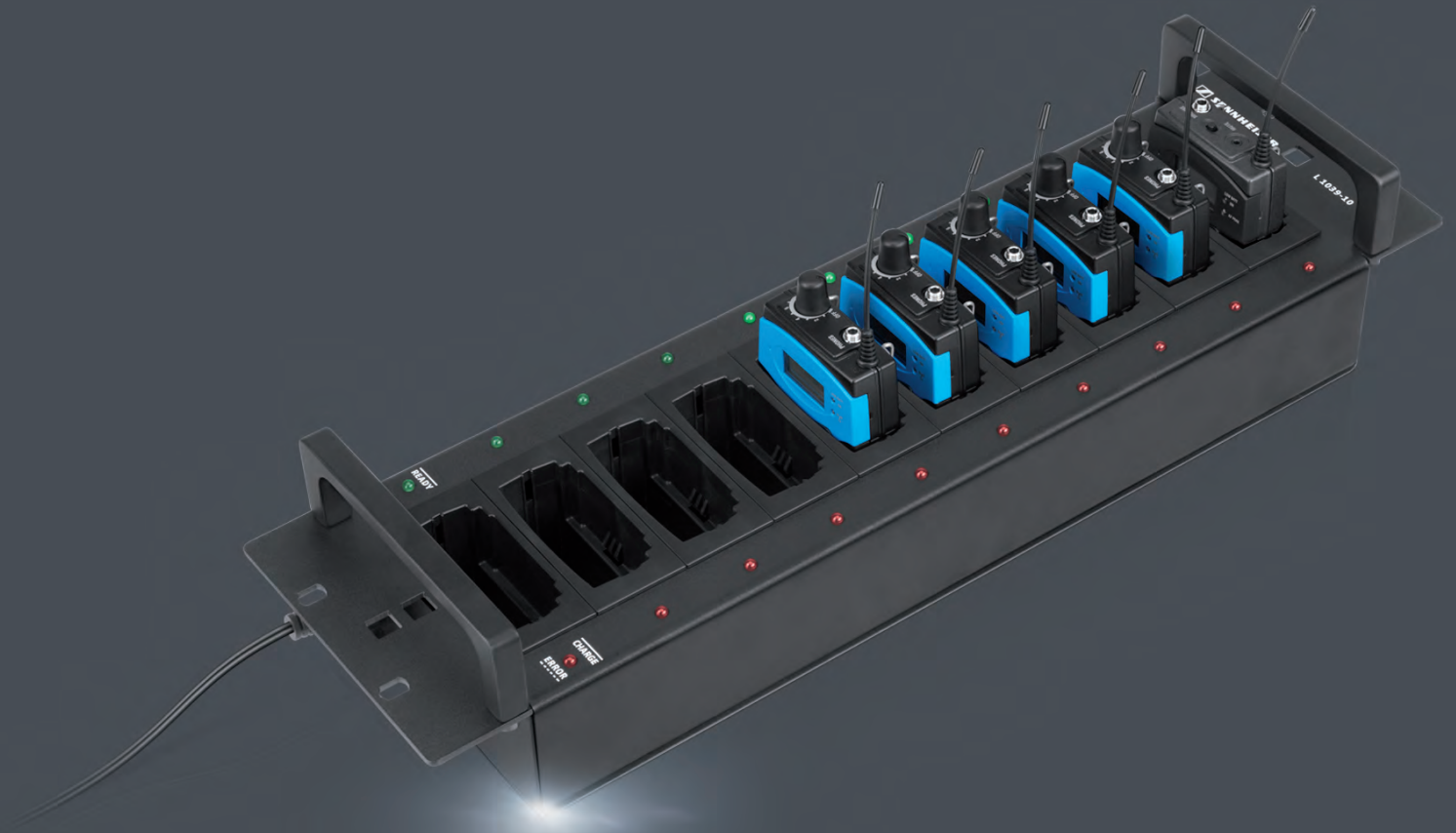


L 1039-10

Charger



Instruction manual

Contents

Contents	1
Important safety instructions	2
Package contents	3
The L 1039-10 charger	3
Product overview	4
Putting the charger into operation	5
Installing the charger	5
Connecting the charger to and disconnecting it from the mains	7
Charging the receivers	8
Indications of the status LEDs	9
Charging times	9
Cleaning and maintaining the L 1039-10	9
If a problem occurs	10
Specifications	11
Manufacturer Declarations	12

Important safety instructions

- Read this instruction manual.
- Keep this instruction manual. Always include this instruction manual when passing the product on to third parties.
- Heed all warnings and follow all instructions in this instruction manual.
- Only clean the product when it is not connected to the mains. Use a cloth for cleaning.
- Only use attachments/accessories recommended by Sennheiser.
- Refer all servicing to qualified service personnel.
Servicing is required if the product has been damaged in any way, liquid has been spilled, objects have fallen inside, the product has been exposed to rain or moisture, does not operate properly or has been dropped.
- **WARNING:** To reduce the risk of short circuits, do not use the product near water and do not expose it to rain or moisture. Do not place objects filled with liquids, such as vases or coffee cups, on the product.
- Only use the supplied mains unit.
- Unplug the mains unit from the wall socket
 - to completely disconnect the product from the mains,
 - during lightning storms or
 - when unused for long periods of time.
- Only operate the mains unit from the type of power source specified in the chapter "Specifications" (see page 11).
- Ensure that the mains unit is
 - in a safe operating condition and easily accessible,
 - properly plugged into the wall socket,
 - only operated within the permissible temperature range,
 - not covered or exposed to direct sunlight for longer periods of time in order to prevent heat accumulation (see "Specifications" on page 11).
- Do not block any ventilation openings. Install the product in accordance with the instructions given in this instruction manual.
- Do not install the product near any heat sources such as radiators, stoves, or other devices (including amplifiers) that produce heat.
- Do not overload wall outlets and extension cables as this may result in fire and electric shock.

Intended use

Intended use of the product includes:

- using the product for professional purposes,
- having read and understood this instruction manual, especially the chapter "Important safety instructions" on page 2,
- using the product within the operating conditions and limitations described in this instruction manual.

"Improper use" means using the product other than as described in this instruction manual, or under operating conditions which differ from those described herein.

Package contents

- 1 L 1039-10 charger
- 1 NT 12-50C mains unit
- 3 mains cable (EU, UK, US)
- 1 instruction manual



A list of accessories can be found on the L 1039-10 product page at www.sennheiser.com.

For information on suppliers, contact your local Sennheiser partner: www.sennheiser.com > "Service & Support".

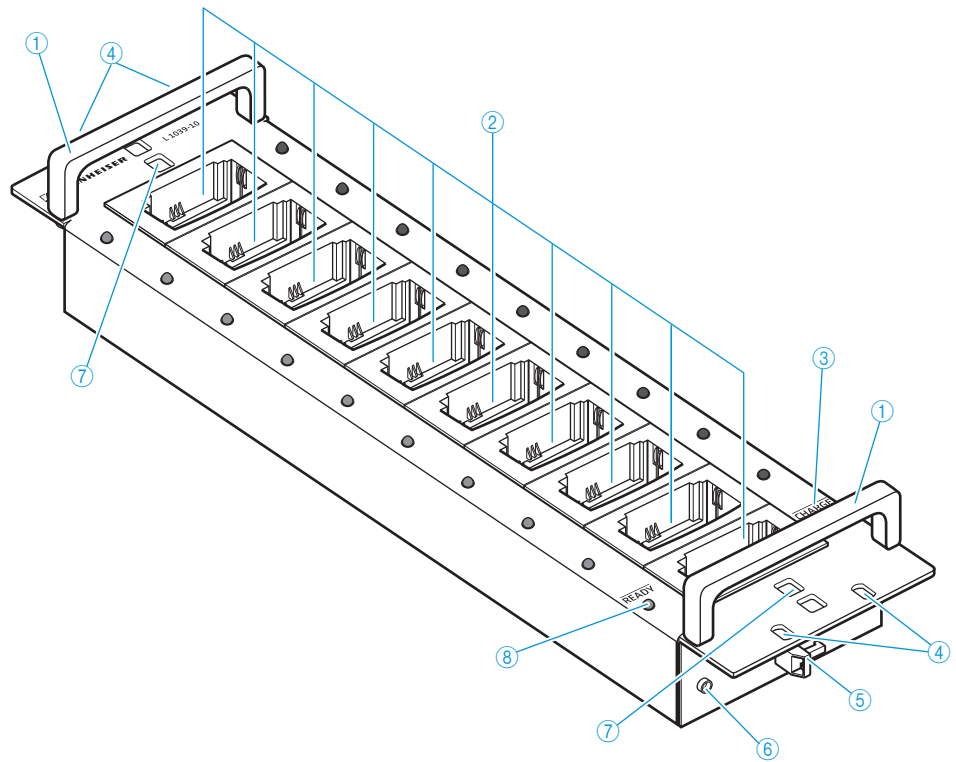
The L 1039-10 charger

The L 1039-10 charger is part of the Tourguide 1039 system.

The Tourguide 1039 system consists of the EK 1039 receiver and a suitable transmitter of the evolution wireless G3 or 2000 series. The system offers optimum speech transmission for guided tours, small conferences and interpretation applications with one or several speakers. The use of RF transmission allows freedom of movement for all members of the group. Due to the possibility of combining the EK 1039 receiver with different transmitters, the system can be optimally adapted to your individual needs.

The L 1039-10 charger can charge up to ten EK 1039 receivers with their BA 2015 accupacks installed. In addition, the charger allows you to charge all bodypack receivers or bodypack transmitters of the Sennheiser evolution wireless G3, evolution wireless G2 or 2000 series.

Product overview



- ① Carrying handles
- ② Charging compartments for up to 10 EK 1039 receivers (with the BA 2015 accupacks installed)
- ③ Status LED **CHARGE/ERROR**, red
- ④ Mounting holes, e.g. for mounting the charger into a 19" rack
- ⑤ Cable grip for mains cable
- ⑥ Hollow jack socket for connection of NT 12-50C mains unit
- ⑦ Holes for optionally fixing/securing the receivers
- ⑧ Status LED **READY**, green

Putting the charger into operation

CAUTION

Danger due to heat accumulation!

The charger and the receivers can get very hot during charging. If the heat cannot dissipate, the products can be damaged.

- ▶ Provide sufficient ventilation so that the ambient temperature of the charger does not exceed the temperature limit specified in the specifications (see page 11).
- ▶ Keep the charger away from heat sources and never expose it to direct sunlight.

The charger can be:

- placed on a table or cabinet,
- installed in a 19" rack,
- fixedly installed in a cabinet or transport case.

Installing the charger

The housing of the charger is designed so that it fits into a 19" rack. The charger can also be installed in a cabinet or transport case.

CAUTION

Risks when rack mounting the charger!

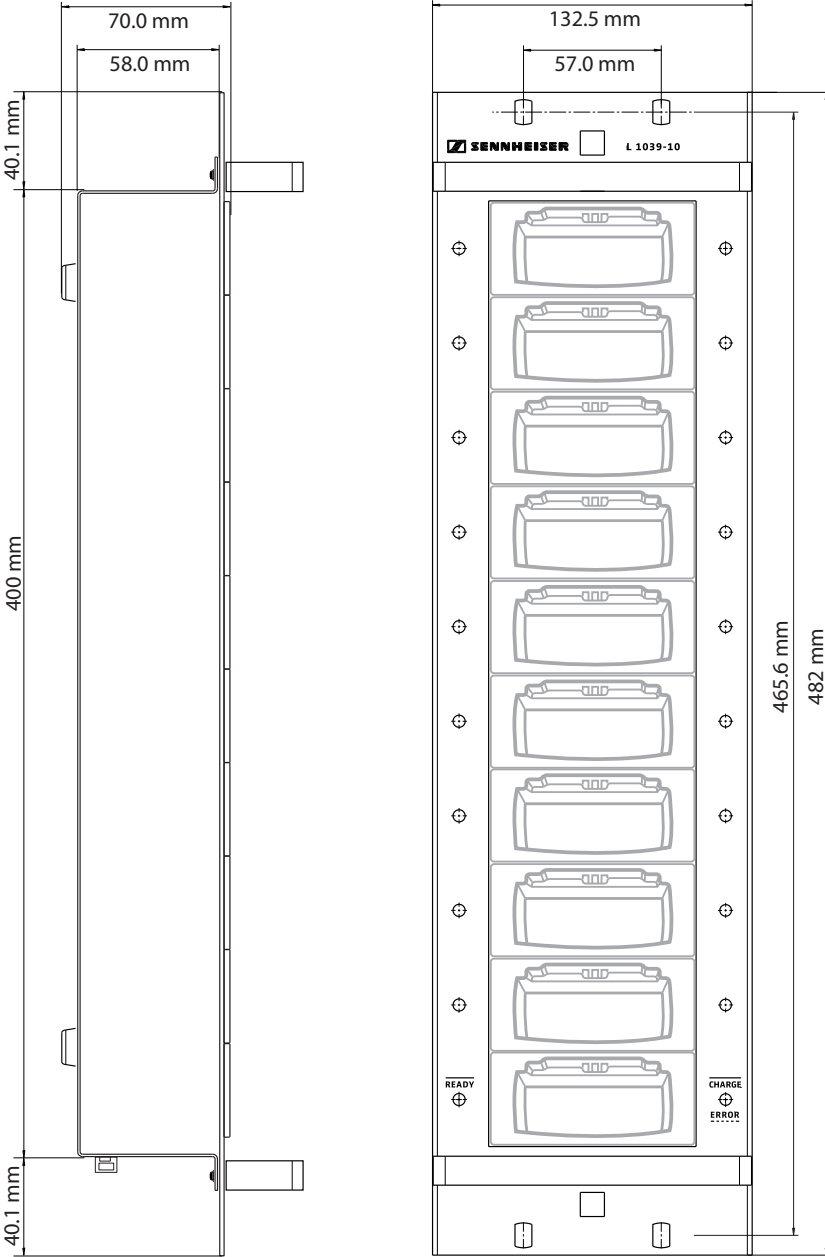
When installing the product in a closed or multi-rack assembly, please consider that

- the ambient temperature within the rack may increase considerably,
- high mechanical loading may occur, e.g. acting on the housings and cables,
- intrinsically harmless leakage currents of the individual mains units may accumulate, thereby exceeding the allowable limit values.

This can cause material damage and electric shock.

- ▶ Make sure that the mechanical loading of the rack is even.
 - ▶ Make sure that the ambient temperature within the rack does not exceed the temperature limit specified in the specifications (see page 11). Ensure sufficient ventilation; if necessary, provide additional ventilation.
 - ▶ When connecting the charger to the mains, observe the information indicated on the type plate. Avoid circuit overloading. If necessary, provide overcurrent protection.
 - ▶ Ground the rack via an additional ground connection.
-
- ▶ Slide the charger into the 19" rack.
 - ▶ Fasten the charger to the rack by screwing 4 screws through the 4 mounting holes ④.
 - ▶ Attach the mains unit to the rack (e.g. using Velcro tape) so that the mains cables are not mechanically loaded.

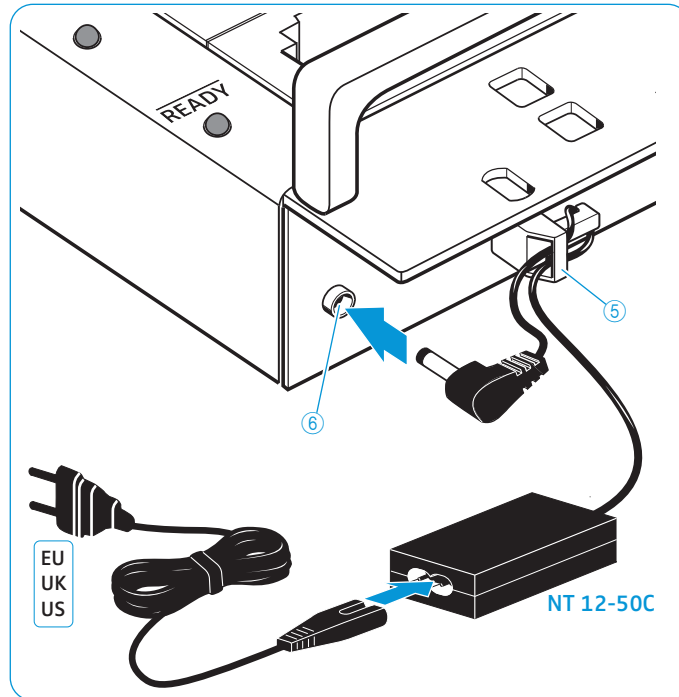
You can install the charger fixedly, e.g. in a cabinet or transport case. For the dimensions required for fixed installation, please refer to the below installation drawing.



Connecting the charger to and disconnecting it from the mains

To connect the charger to the mains and switch it on:

- ▶ Connect the hollow jack plug of the of the NT 12-50C mains unit to the hollow jack socket ⑥ of the charger.
- ▶ Pass the cable of the mains unit through the cable grip ⑤ as shown.
- ▶ Connect the mains cable (EU, UK or US version) to the mains unit and to a wall socket.
All status LEDs ③ and ⑧ light up for a brief moment. The charger is switched on and in standby mode.



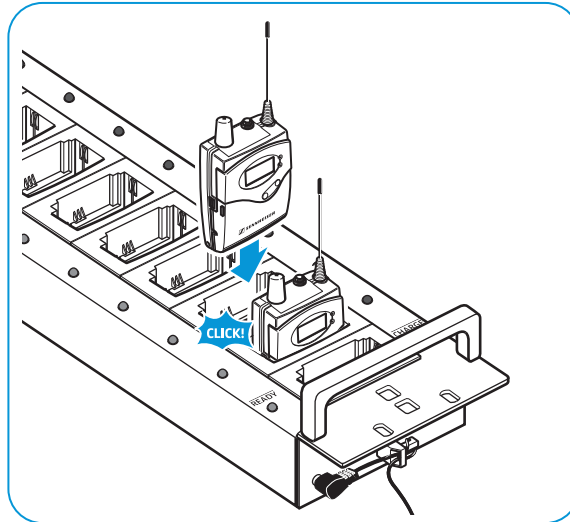
To switch the charger off and disconnect it from the mains:

- ▶ Pull out the mains plug from the wall socket.

Charging the receivers

- ▶ Insert the bodypack receiver/transmitter with the BA 2015 accupack installed into any of the charging compartments ② until it locks into place with an audible click.

The accupack is being charged. The status LEDs ③ and ⑧ indicate the charging process.



When an accupack is fully charged, the charging process stops automatically.

Accupacks that are left unused for extended periods of time lose a percentage of their electrical charge. This is independent of whether the bodypack receivers/transmitters are stored in the charger's charging compartments or not.

To make sure that you always use fully charged accupacks, we recommend the following steps:

- ▶ Fully charge the accupacks for about 4-5 hours before use. Recharge the accupacks every 2 months at the latest.

If you store the bodypack receivers/transmitters outside the charger:

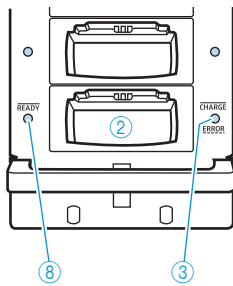
- ▶ Insert the bodypack receivers/transmitters into the charger as described above.
- ▶ Switch the charger on.

If you store the bodypack receivers/transmitters in the charger's charging compartments:

- ▶ Switch the charger off and on again.

When the status LED ⑧ of a charging compartment lights up green, the accupack of the corresponding bodypack receiver/transmitter is fully charged.

When the status LED lights up red, the accupack is being charged.



Indications of the status LEDs

Status LED ③	Meaning
lights up red	receiver is being charged
flashes red	error, charging compartment is deactivated (see page 10)

Status LED ⑧	Meaning
lights up green	receiver is fully charged

Charging times

With a completely discharged accupack and at room temperature, the charging times are as follows:

Capacity obtained	Charging time
approx. 100%	typ. 3-4 hours

However, charging may take longer under the following circumstances:

- The accupack is deep-discharged and first has to be reconditioned by a deep discharge recovery charge.
- The ambient temperature is close to or over 45°C/113°F; in order to protect the accupack, the charging power will be reduced until the accupack temperature has dropped to an admissible value.

Charging will be aborted and the status LED ③ will start flashing red under the following circumstances:

- The accupack temperature is too low or too high (see "Specifications" on page 11); charging starts automatically when the accupack temperature is within the charging temperature range.
- The accupack is defective.

Cleaning and maintaining the L 1039-10

CAUTION

Liquids can damage the electronics of the product!

Liquids entering the housing of the product can cause a short-circuit and damage the electronics.


- ▶ Keep all liquids away from the product.
 - ▶ Do not use any solvents or cleansing agents.
-
- ▶ Remove all bodypack receivers/transmitters from the charging compartments.
 - ▶ Before cleaning, disconnect the mains unit from the mains.
 - ▶ Use a soft, dry cloth for cleaning.
 - ▶ Use a brush or similar to remove dust from the charging compartments.

If a problem occurs ...

Problem	Possible cause	Solution
The status LEDs ③ and ⑧ do not light up	Charger is not connected to the mains	Check if the charger is connected to the NT 12-50C mains unit and if the mains unit is connected to the mains (see page 7).
	Unstable voltage of the mains unit	Replace the defective mains unit or mains cable with a new one.
	Mains unit or mains cable is defective	
	No contact with the accupack	Insert the bodypack receiver/transmitter –with the accupack installed – correctly into the charging compartment (see page 8).
	Contacts of the receiver or contacts of the charging compartment are dirty	Clean the charging contacts of the receiver and of the charging compartment (see page 9).
	Accupack is defective (overaged or defective rechargeable battery cells)	Replace the defective accupack with a new one.
The status LED ③ flashes red	Wrong accupack/individual rechargeable batteries/batteries (primary cells) have been inserted	Only charge BA 2015 accupacks (installed in a bodypack receiver/transmitter) with the L 1039-10 charger.
	Accupack temperature is too low or too high	Always recharge the accupacks within the operating temperature range and the air humidity range stated in the specifications (see page 11).
	Accupack is defective (overaged or defective rechargeable battery cells)	Replace the defective accupack with a new one.

Specifications

L 1039-10 charger

Input voltage	12 ... 15 V $\overline{=}$ $\overline{=}$ $\overline{=}$
Input current	max. 3.4 A
Pin assignment of DC input hollow jack socket	
Charging voltage per charging compartment	3.7 ... 4.1 V $\overline{=}$ $\overline{=}$ $\overline{=}$
Charging current	nom. 10 x 500 mA
Compatible accupacks	Sennheiser BA 2015
Charging time	with a completely discharged accupack and at room temperature: approx. 100% = typ. 3-4 hours
Temperature range	operation: 0°C ... +40°C storage: -20°C ... +70°C
Relative humidity, non-condensing	operation: 20% ... 95% storage: 5% ... 95%
Dimensions (L x H x D), without carrying handles	approx. 482 mm x 70 mm x 132 mm (3 U)
Weight (w/o mains unit and accupacks)	approx. 1750 g

In compliance with

Europe	EMC	EN 61000-3-1 EN 61000-3-3
Canada	Industry Canada ICES 003	
USA	FCC 47 CFR Part 15 B	

NT 12-50C mains unit

Nominal input voltage	100 ... 240 V~
Mains frequency	50 ... 60 Hz
Nominal output voltage	12 V $\overline{=}$ $\overline{=}$ $\overline{=}$
Nominal output current	max. 5 A
Standby power consumption	≤ 0.5 W
Energy efficiency level (Energy Star)	V
Temperature range	operation: 0°C ... +40°C storage: -10°C ... +70°C
Relative humidity, non-condensing	max. 95%
Dimensions (L x H x D)	approx. 115 x 50 x 33 mm
Weight	approx. 280 g
Cable lengths	approx. 1.8 m to the mains plug approx. 2.5 m to the hollow jack plug

In compliance with

Europe	EMC	EN 61204-3
	Safety	EN 60065
Canada	Industry Canada ICES 003	
USA	FCC 47 CFR Part 15 B	


Manufacturer Declarations

Warranty

Sennheiser GmbH & Co. KG gives a warranty of 24 months on this product.

For the current warranty conditions, please visit our website at www.sennheiser.com or contact your Sennheiser partner.

In compliance with the following requirements

- RoHS Directive (2002/95/EC)
- China RoHS 


部件名称 (Parts)	有毒有害物质或元素					
	铅 (Pb)	汞 (Hg)	镉 (Cd)	六价铬 (Cr ⁶⁺)	多溴联苯 (PBB)	多溴二苯醚 (PBDE)
金属部件 (Metal Parts)	x	0	0	0	0	0
电路模块 (Circuit Modules)	x	0	0	0	0	0

O: 表示该有毒有害物质在该部件所有均质材料中的含量均在SJ/T 11363-2006 标准规定的限量要求以下。

X: 表示该有毒有害物质至少在该部件的某一均质材料中的含量超出 SJ/T 11363-2006 标准规定的限量要求。

- ErP Directive (2009/125/EC)

CE Declaration of Conformity

- 
- EMC Directive (2004/108/EC)
- Low Voltage Directive (2006/95/EC)

The declaration is available at www.sennheiser.com.

NT 12-50C mains unit certified by



Audio, Video and Similar Electronic Apparatus – Safety Requirements CAN/CSA-C22.2 No. 60950:03 and UL Std. No. 60950



Sennheiser electronic GmbH & Co. KG

Am Labor 1, 30900 Wedemark, Germany
www.sennheiser.com

Printed in Germany, Publ. 08/12, 549104/A01