

## TR-825 Quick Start Card

### Initial Beltpack and Base Station Set-up

1. Press [MENU] as powering-up the base station. This will place it on group 01A and set the receives on channels: 01, 02, 03 and 04. Ensure the appropriate portable station connect path is enabled. If used stand alone, the base should be in the 4-wire mode.
2. Set beltpack back panel slide switch to push-to-talk (PT TALK).
3. Press [MENU] as powering-up the beltpack. This will place the beltpack on group 01A with channel 01 flashing.
4. Use the [UP] and [DOWN] arrow buttons to change the channel to an unoccupied receive channel on the base station. Then press [SET]. Press [MENU] if not changing channels.
5. The group/channel on the beltpack should now match the group and a receive channel on the base station. Nothing should be flashing on the beltpack screen.
6. Plug a headset into the beltpack and set the microphone gain so the BAT/OM light flashes at the beginning of most words at normal speech levels.

### Special Functions

**ClearScan** . . . . . Press [MENU]+[SET] buttons for 3 seconds. After 25 seconds of searching, the beltpack will produce a list of the groups organized from best (clearest) to worse. The best group is displayed flashing. Use the [UP] and [DOWN] buttons to select other groups if desired.

**Lockout** . . . . . Press [UP]+[DOWN] arrows buttons for 3 seconds. Repeat to toggle it off/on.

**1<sup>st</sup> Use Default** . . . Press [MENU] as powering-up the beltpack. Sets beltpack on group 01A with channel 01 flashing. User must then set the channel. All user-programmed memory is retained.

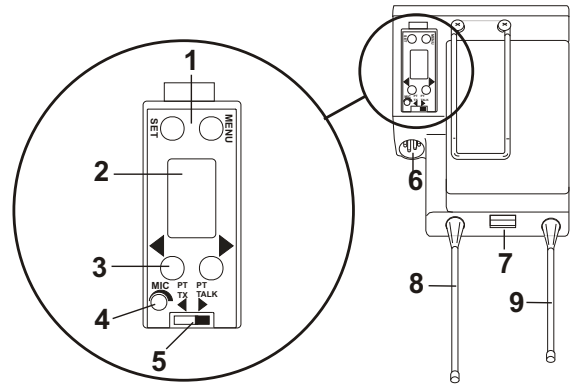
**Factory Default** Press [MENU]+[SET]+[UP]+[DOWN] buttons for 3 seconds to software "reset" the beltpack. All user-programmed memory is erased.

### Feature Enable/Disable

**Stage Announce (SA)** . . . Press and hold [SET] then press [SA] to toggle on/off.

**Wireless Talk Around (WTA)** . . . Press and hold (SET) then press (WTA) to enable Channel "A" or "B" or "A+B"; "On latching", "On non-latching", "Pushbutton latching", "Pushbutton non-latching" or Off.

**Audio Channel A and B** . Press and hold (SET) then press either (A) or (B) to enable "On latching", "On non-latching" or Off.



1. **[MENU] and [SET] buttons** – Used to select menus and set options on the LCD.
2. **LCD display.**
3. **[UP] and [DOWN] buttons** – Used to select beltpack options on the LCD.
4. **Microphone Gain** – Adjusts the headset's microphone gain. Adjust so that the light flashes at the beginning of most words at normal speech levels.
5. **Push-to-Talk/ Push-to-Transmit Switch** –
  - Push-to-Talk (PT TALK)** – The transmitter is always on. No audio sent unless the talk switch, WTA or SA button pressed. Recommended position.
  - Push-to-Transmit (PT TX)** - The transmitter and audio path are off except when the talk switch, WTA or SA button is pressed.
6. **Headset Connector** – Male XLR connector for Telex units, Female XLR connector for RTS units.
7. **Battery Latch** – Press down to enable the battery pack to be released. While the latch is held down, slide the battery pack about 1/8 inch back, toward the latch, until it stops, then lift out.
8. **Receive Antenna** – Screw type ¼ wave replaceable antenna. Color dot on the screw end of the antenna must match color dot on antenna receptacle.
9. **Transmit Antenna** – Screw type ¼ wave replaceable antenna. Color dot on the screw end of the antenna must match color dot on antenna receptacle.

## TR-825 Quick Start Card

### Initial Beltpack and Base Station Set-up

1. Press [MENU] as powering-up the base station. This will place it on group 01A and set the receives on channels: 01, 02, 03 and 04. Ensure the appropriate portable station connect path is enabled. If used stand alone, the base should be in the 4-wire mode.
2. Set beltpack back panel slide switch to push-to-talk (PT TALK).
3. Press [MENU] as powering-up the beltpack. This will place the beltpack on group 01A with channel 01 flashing.
4. Use the [UP] and [DOWN] arrow buttons to change the channel to an unoccupied receive channel on the base station. Then press [SET]. Press [MENU] if not changing channels.
5. The group/channel on the beltpack should now match the group and a receive channel on the base station. Nothing should be flashing on the beltpack screen.
6. Plug a headset into the beltpack and set the microphone gain so the BAT/OM light flashes at the beginning of most words at normal speech levels.

### Special Functions

**ClearScan** . . . . . Press [MENU]+[SET] buttons for 3 seconds. After 25 seconds of searching, the beltpack will produce a list of the groups organized from best (clearest) to worse. The best group is displayed flashing. Use the [UP] and [DOWN] buttons to select other groups if desired.

**Lockout** . . . . . Press [UP]+[DOWN] arrows buttons for 3 seconds. Repeat to toggle it off/on.

**1<sup>st</sup> Use Default** . . . Press [MENU] as powering-up the beltpack. Sets beltpack on group 01A with channel 01 flashing. User must then set the channel. All user-programmed memory is retained.

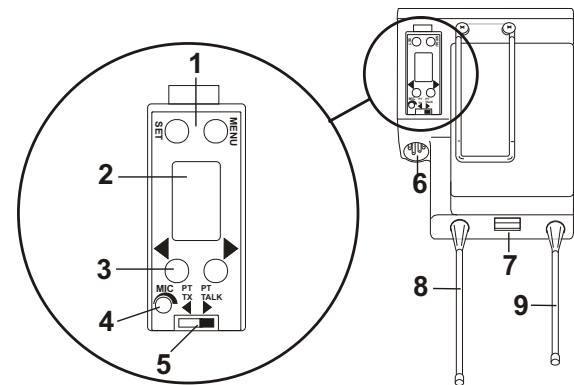
**Factory Default** Press [MENU]+[SET]+[UP]+[DOWN] buttons for 3 seconds to software "reset" the beltpack. All user-programmed memory is erased.

### Feature Enable/Disable

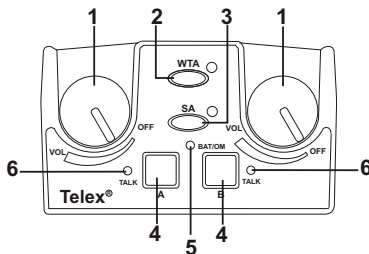
**Stage Announce (SA)** . . . Press and hold [SET] then press [SA] to toggle on/off.

**Wireless Talk Around (WTA)** . . . Press and hold (SET) then press (WTA) to enable Channel "A" or "B" or "A+B"; "On latching", "On non-latching", "Pushbutton latching", "Pushbutton non-latching" or Off.

**Audio Channel A and B** . Press and hold (SET) then press either (A) or (B) to enable "On latching", "On non-latching" or Off.



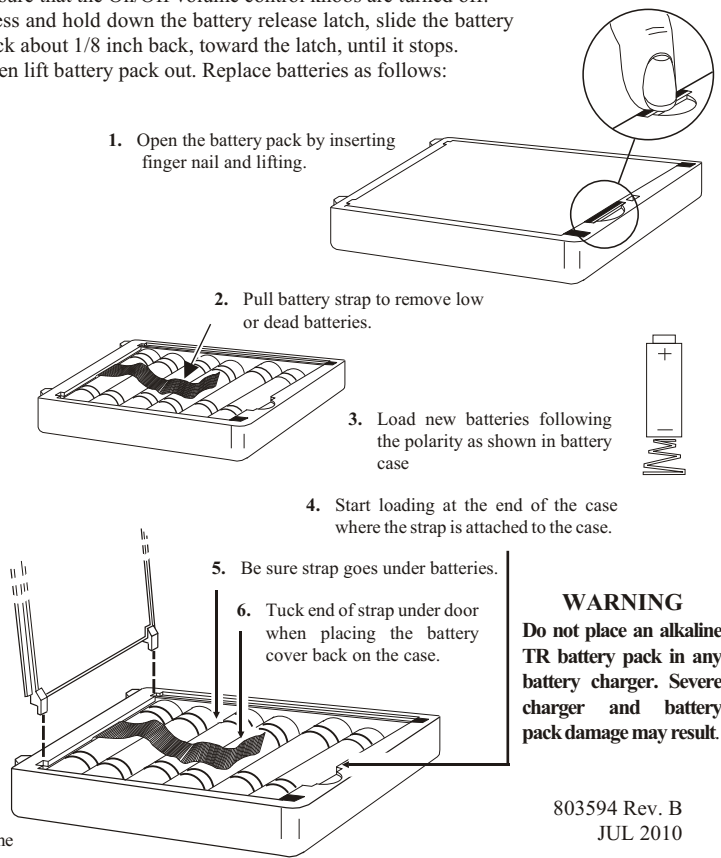
1. **[MENU] and [SET] buttons** – Used to select menus and set options on the LCD.
2. **LCD display.**
3. **[UP] and [DOWN] buttons** – Used to select beltpack options on the LCD.
4. **Microphone Gain** – Adjusts the headset's microphone gain. Adjust so that the light flashes at the beginning of most words at normal speech levels.
5. **Push-to-Talk/ Push-to-Transmit Switch** –
  - Push-to-Talk (PT TALK)** – The transmitter is always on. No audio sent unless the talk switch, WTA or SA button pressed. Recommended position.
  - Push-to-Transmit (PT TX)** - The transmitter and audio path are off except when the talk switch, WTA or SA button is pressed.
6. **Headset Connector** – Male XLR connector for Telex units, Female XLR connector for RTS units.
7. **Battery Latch** – Press down to enable the battery pack to be released. While the latch is held down, slide the battery pack about 1/8 inch back, toward the latch, until it stops, then lift out.
8. **Receive Antenna** – Screw type ¼ wave replaceable antenna. Color dot on the screw end of the antenna must match color dot on antenna receptacle.
9. **Transmit Antenna** – Screw type ¼ wave replaceable antenna. Color dot on the screw end of the antenna must match color dot on antenna receptacle.



- 1. On/Off & Volume Control** - Turns beltpack power on and controls headset volume for Intercom Channels "A" and "B". Either knob, "A" or "B", turns the beltpack on. Both knobs must be off to turn the beltpack off. If only one knob is off, then only that Intercom Channel, "A" or "B" is off for both transmit and receive audio.
- 2. Wireless Talk Around (WTA)** - When pressed, the user's audio is disconnected from the wired intercom, auxiliary input/output and the base station's local headset. Other beltpack users, on that audio channel, can hear the user as normal. The default setting is software selectable, as to which Intercom Channel, "A", "B", "A + B", or currently selected channel, is activated along with the "WTA" button. The "WTA" button activates the nearby red LED as well as the software selected Intercom Channel "TALK" LED if not already active.
- 3. Stage Announce (SA)** - When pressed, the user's audio is routed to the stage announce connector on the back of the base station and the base's relay is closed. The user also loses their sidetone as an indication that stage announce is activated. The other wireless beltpacks and wired users do not hear the user's audio. The button is non-latching and activates the nearby red LED.
- 4. Talk button** - Press to enable the audio path to Intercom Channel "A" or "B" or "A + B", from the local headset microphone. The associated "TALK" LED, #6, will turn red when enabled. A quick press and release latches the talk function, unless latching has been disabled. Holding the button for over 1/2 second, will cause the audio path to be enabled only for as long as the button is held. If the talk function is latched on, pressing the talk button again will turn it off.
- 5. Low Battery/Overmodulation (BAT/OM) Light** - Light will flash once when unit is turned on if the battery is good. If the light stays on, battery is low. If the light does not flash, battery is dead. A normal microphone gain setting will cause the LED to flash at the beginning of most words at normal speech levels. If the gain is too high, the LED will be red during the complete word at normal speech levels.
- 6. Talk Light** - Will turn red when enabled by associated "TALK" or "WTA" button.
- Ensure that both On/Off volume control knobs are turned off prior to inserting the battery pack onto the TR-825 to prevent the possibility of a voltage spike that could cause the unit to become inoperable.

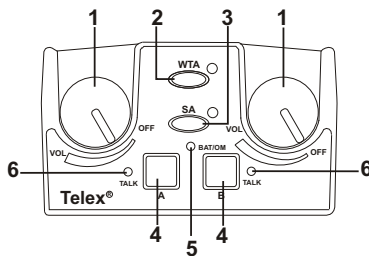
## Battery Installation

Ensure that the On/Off volume control knobs are turned off. Press and hold down the battery release latch, slide the battery pack about 1/8 inch back, toward the latch, until it stops. Then lift battery pack out. Replace batteries as follows:



**WARNING**  
Do not place an alkaline TR battery pack in any battery charger. Severe charger and battery pack damage may result.

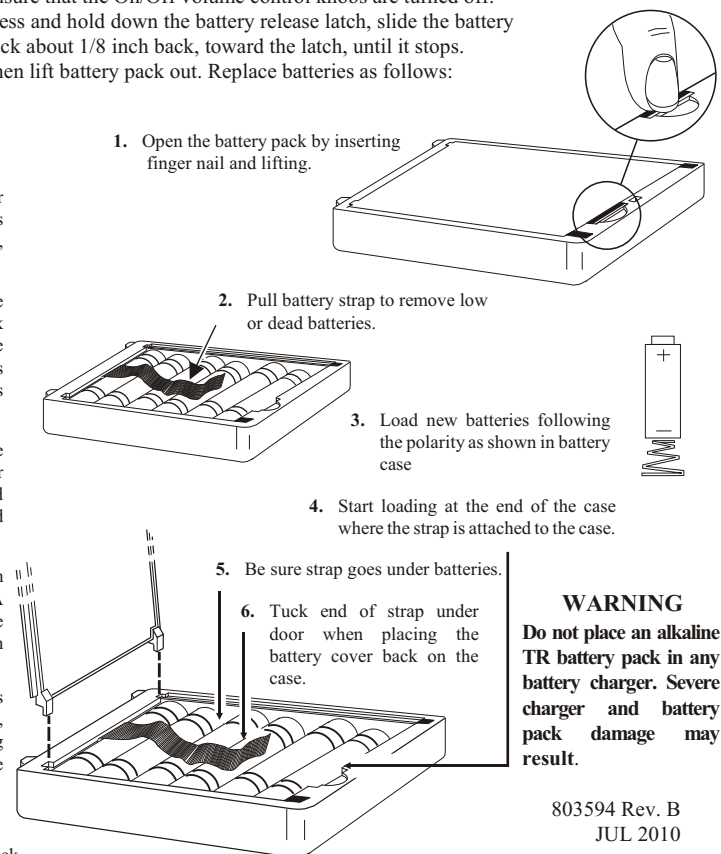
803594 Rev. B  
JUL 2010



- 1. On/Off & Volume Control** - Turns beltpack power on and controls headset volume for Intercom Channels "A" and "B". Either knob, "A" or "B", turns the beltpack on. Both knobs must be off to turn the beltpack off. If only one knob is off, then only that Intercom Channel, "A" or "B" is off for both transmit and receive audio.
- 2. Wireless Talk Around (WTA)** - When pressed, the user's audio is disconnected from the wired intercom, auxiliary input/output and the base station's local headset. Other beltpack users, on that audio channel, can hear the user as normal. The default setting is software selectable, as to which Intercom Channel, "A", "B", "A + B", or currently selected channel, is activated along with the "WTA" button. The "WTA" button activates the nearby red LED as well as the software selected Intercom Channel "TALK" LED if not already active.
- 3. Stage Announce (SA)** - When pressed, the user's audio is routed to the stage announce connector on the back of the base station and the base's relay is closed. The user also loses their sidetone as an indication that stage announce is activated. The other wireless beltpacks and wired users do not hear the user's audio. The button is non-latching and activates the nearby red LED.
- 4. Talk button** - Press to enable the audio path to Intercom Channel "A" or "B" or "A + B", from the local headset microphone. The associated "TALK" LED, #6, will turn red when enabled. A quick press and release latches the talk function, unless latching has been disabled. Holding the button for over 1/2 second, will cause the audio path to be enabled only for as long as the button is held. If the talk function is latched on, pressing the talk button again will turn it off.
- 5. Low Battery/Overmodulation (BAT/OM) Light** - Light will flash once when unit is turned on if the battery is good. If the light stays on, battery is low. If the light does not flash, battery is dead. A normal microphone gain setting will cause the LED to flash at the beginning of most words at normal speech levels. If the gain is too high, the LED will be red during the complete word at normal speech levels.
- 6. Talk Light** - Will turn red when enabled by associated "TALK" or "WTA" button.
- Ensure that both On/Off volume control knobs are turned off prior to inserting the battery pack onto the TR-825 to prevent the possibility of a voltage spike that could cause the unit to become inoperable.

## Battery Installation

Ensure that the On/Off volume control knobs are turned off. Press and hold down the battery release latch, slide the battery pack about 1/8 inch back, toward the latch, until it stops. Then lift battery pack out. Replace batteries as follows:



**WARNING**  
Do not place an alkaline TR battery pack in any battery charger. Severe charger and battery pack damage may result.

803594 Rev. B  
JUL 2010