

Owner's Manual

Wall-Mounted SmartRack® Enclosure

Models: SRW12UHD & SRW18UHD

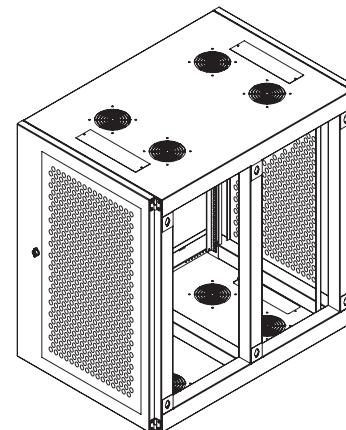


Table of Contents

1. Important Safety Instructions	2	6. Wall Mounting the Enclosure	6
2. Overview	2	7. Equipment Installation	7
3. Feature Identification	3	7.1 Installing or Removing Cage Nuts	7
4. Enclosure Installation	4	8. Specifications	7
4.1 Preparation	4	9. Storage and Service	8
4.2 Leveling the Enclosure	4	10. Warranty & Warranty Registration	8
4.3 Ground Connection	4		
5. Enclosure Configuration	5	Español	9
5.1 Door Locks	5	Français	17
5.2 Cable Access and Management	5		
5.3 Mounting Rails	5		
5.4 Adjusting Mounting Rail Depth	5		

PROTECT YOUR INVESTMENT!

Register your product for quicker service and ultimate peace of mind.

You could also win an ISOBAR6ULTRA surge protector—a \$50 value!

www.tripplite.com/warranty



1111 W. 35th Street, Chicago, IL 60609 USA • www.tripplite.com/support

Copyright © 2014 Tripp Lite. All trademarks are the sole property of their respective owners.

1. Important Safety Instructions



SAVE THESE INSTRUCTIONS

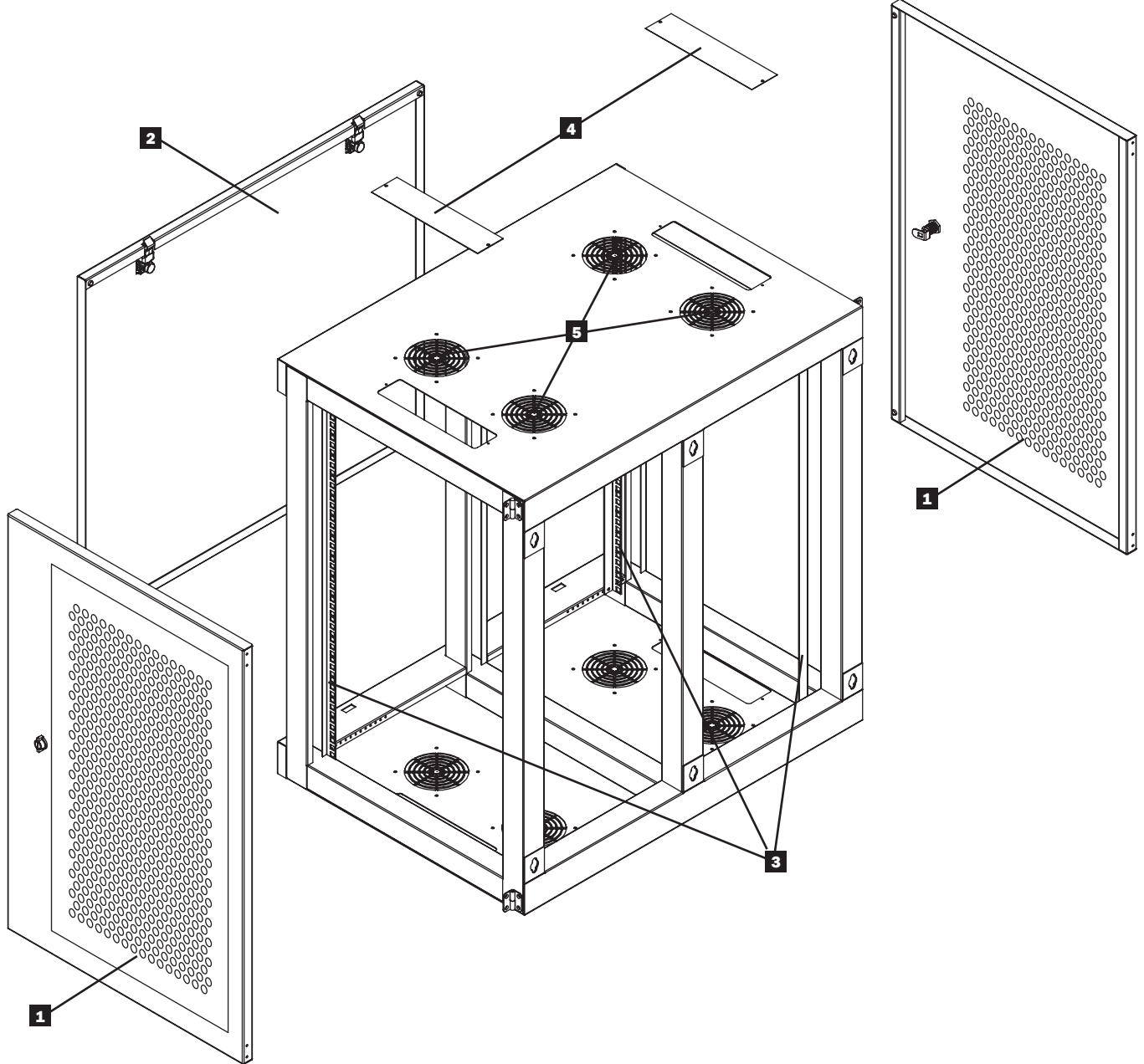
This Manual contains instructions and warnings that must be followed during the installation and operation of the product described in this manual. Failure to comply may invalidate the warranty and cause property damage or personal injury.

- Keep the enclosure in a controlled indoor environment, away from moisture, temperature extremes, flammable liquids and gasses, conductive contaminants, dust and direct sunlight.
- Leave adequate space at the front and rear of the enclosure for proper ventilation. Do not block, cover or insert objects into the external ventilation openings of the enclosure.
- The enclosure is extremely heavy. Use caution when handling the enclosure. Do not attempt to unpack, move or install it unassisted. Use a mechanical device such as a forklift or pallet jack to move the enclosure in the shipping container.
- Do not place any object on the enclosure, especially containers of liquid, and do not attempt to stack the enclosures.
- Inspect the shipping container and the enclosure for shipping damage. Do not use the enclosure if it is damaged.
- Leave the enclosure in the shipping container until it has been moved as close to the final installation location as possible.
- Install the enclosure in a structurally sound area capable of handling the load, or on a level floor that is able to bear the weight of the enclosure, all equipment that will be installed in the enclosure and any other enclosures and/or equipment that will be installed nearby.
- Use caution when cutting packing materials. The enclosure could be scratched, causing damage not covered by the warranty.
- Save all packing materials for later use. Repacking and shipping the enclosure without the original packing materials may cause product damage that will void the warranty.
- Do not reship the enclosure with additional equipment unless the enclosure was shipped with a special shock pallet (“SP1” models only). The combined weight of the enclosure and installed equipment must not exceed the load capacity of the pallet. Tripp Lite is not responsible for any damage that occurs during reshipment.
- Use of this equipment in life support applications where failure of this equipment can reasonably be expected to cause the failure of the life support equipment or to significantly affect its safety or effectiveness is not recommended. Do not use this equipment in the presence of a flammable anesthetic mixture with air, oxygen or nitrous oxide.

2. Overview

SmartRack Enclosures accommodate all standard 19-inch rackmount equipment, regardless of vendor, and ship fully assembled for quick and easy deployment.

3. Feature Identification



- 1** Locking/Removable Side Doors
- 2** Locking/Removable Front Panel
- 3** Vertical Mounting Rails
- 4** Removable Cable Access Hole Covers
- 5** Vents

4. Enclosure Installation



Caution! Read All Instructions and Warnings Before Installation!



Warning: Rack enclosures can be extremely heavy. Do not attempt to unpack, move or install the enclosure without assistance. Use extreme caution when handling the enclosure and be sure to follow all handling and installation instructions. Do not attempt to install equipment without first stabilizing the enclosure.

4.1 Preparation

The enclosure must be installed in a structurally sound area that is able to bear the weight of the enclosure, all the equipment that will be installed in the enclosure and any other enclosures and/or equipment that will be installed nearby. Before unpacking the enclosure, you should transport the shipping container closer to the final installation location to minimize the distance you will need to move the unit after the protective packaging has been removed. If you plan to store the enclosure for an extended period before installation, follow the instructions in the **Storage and Service** section.

You will need these tools:

- Level
- Phillips-Head Screwdriver

4.2 Leveling the Enclosure

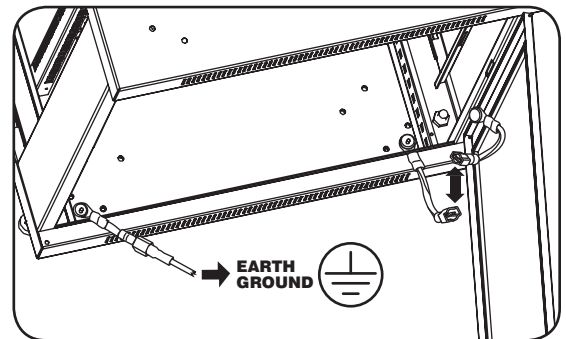


WARNING: Level the enclosure before attempting to install equipment. Install the enclosure in a structurally sound area with a vertically-level wall that is able to bear the weight of the enclosure, all equipment that will be installed in the enclosure and any other enclosures and/or equipment that will be installed nearby.

4.3 Ground Connection

All parts of the enclosure are grounded to the frame of the enclosure. Connect one of the two quick-disconnect grounding wires to the hole provided on the inside of either of the side doors and connect the other quick-disconnect grounding wire to any of the enclosure studs. Then connect your facility's earth ground connection to the grounding stud not used by door connections with an 8 AWG (3.264 mm) wire.

Warning: Attach each enclosure to earth ground separately. Do not use the enclosure without an earth ground connection.

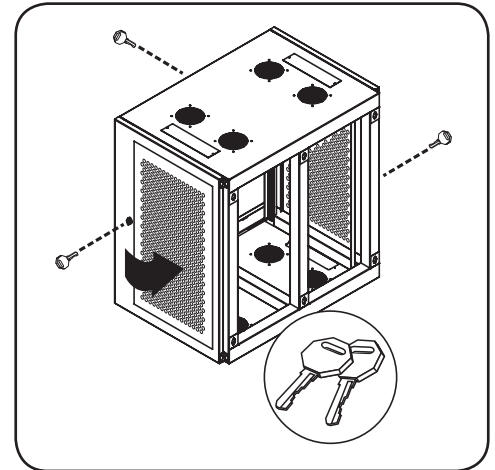


5. Enclosure Configuration

Before installation, make sure to plan the location and arrangement of components within the enclosure.

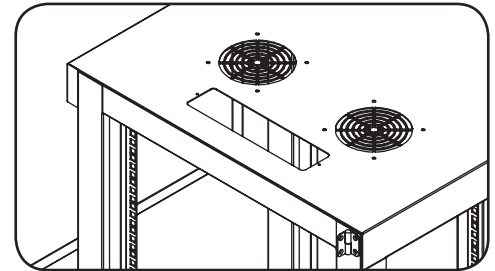
5.1 Door Locks

The side doors and front panel contain locks that are accessible with the included keys.



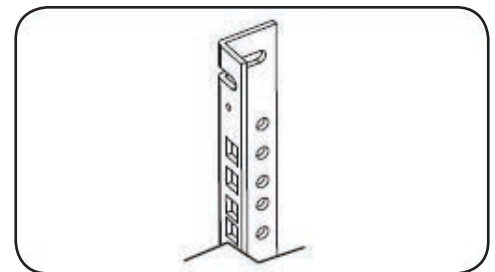
5.2 Cable Access and Management

Two additional openings can be found on both the top and bottom of the cabinet. Each of the four openings on the top and bottom of the cabinet can be closed by screwing in the removable cable access panels.



5.3 Mounting Rails

The enclosure comes with mounting rails that have both square and tapped holes for mounting rack equipment. To install equipment, use the included cage nuts and other hardware. (See page 7 for installation of cage nuts.) **Warning: Be sure to have the enclosure securely mounted to the wall before mounting any equipment inside. Also be sure to have all the right adjustments on your rails before mounting equipment. (See below for Adjusting Mounting Rail Depth.)**

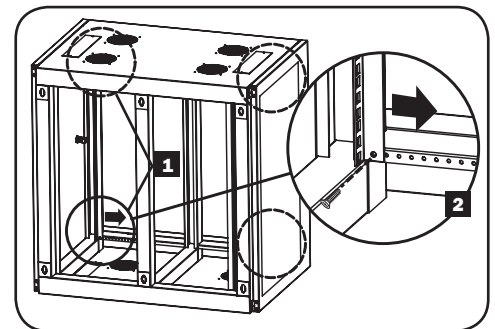


5.4 Adjusting Mounting Rail Depth

Warning: Do not attempt to adjust rails while equipment is installed in the enclosure. Do not attempt to use rails without screws installed. (2 per rail.)

The 4 mounting rails are pre-installed to accommodate equipment with a mounting depth of 20.5 inches (521 mm). Do not adjust the mounting rails unless your equipment requires a different mounting depth. The front and rear sets of rails can be adjusted independently for mounting of equipment with depths between 3 inches (76 mm) and 32.5 inches (826 mm).

- 1 Each rail is connected to the enclosure with 2 screws: 1 in the upper corner and another in the lower corner. Using a Phillips-head screwdriver, remove the screws that fasten the rails to the enclosure.
- 2 Slide the mounting rails to the desired depth and reattach them using the screws you removed in Step 1.



6. Wall Mounting the Enclosure



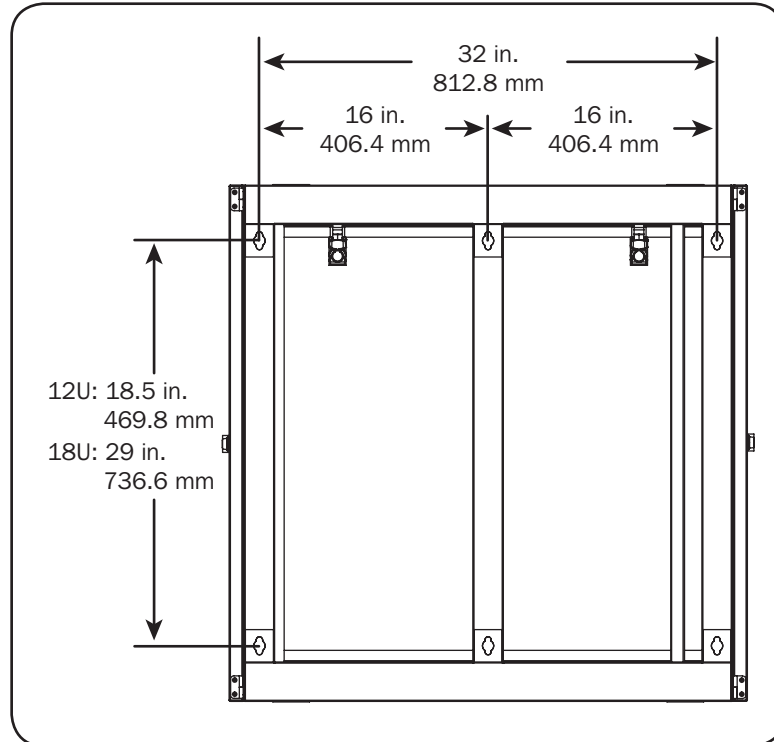
Warning: Do not attempt to mount the enclosure to the wall with equipment mounted in the enclosure.

There are 6 keyhole cutouts on the back door of the enclosure. Each keyhole can accommodate an M10 or 3/8" bolt. The holes are 16" apart horizontally and 29" apart vertically, to match typical stud spacing, as shown in diagram.

Note: Do not lift the enclosure into mounting position with the doors installed. Always remove doors prior to lifting to reduce the enclosure's weight.

Using a level, measure to position your mounting areas precisely. Use appropriate fasteners (not included) to secure the enclosure to the wall.

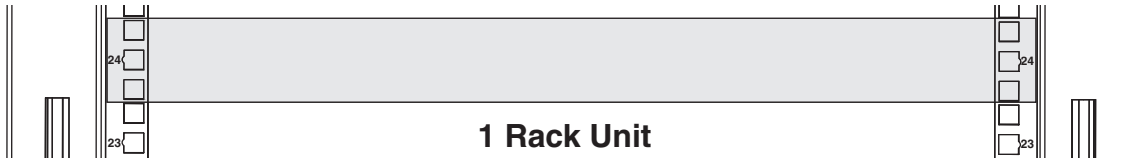
Warning: The area you plan to mount the enclosure to must be able to withstand the weight of the enclosure and all mounted equipment. For the weight of the enclosure and its capacity, refer to the Specifications section on page 7.



7. Equipment Installation

Warning: Do not install equipment until you have stabilized the enclosure. Install heavier equipment first and install it towards the bottom of the enclosure. Install equipment starting from the bottom of the enclosure and proceeding toward the top of the enclosure - never the reverse. If using sliding equipment rails, be careful when extending the rails. Do not extend more than one set of sliding equipment rails at one time. Avoid extending sliding equipment rails near the top of the enclosure.

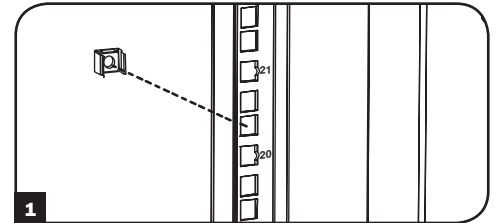
Note: The square holes in the middle of each rack unit are numbered and also include a small notch to aid identification. A single rack unit includes the space occupied by the numbered hole and the holes directly above and below.



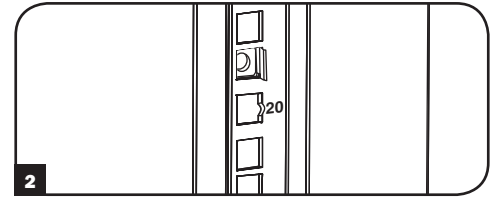
7.1 Installing or Removing Cage Nuts

WARNING: The flanges of the cage nuts should engage the sides of the square opening in the rail, not the top and bottom. Follow the instructions in your equipment documentation to ensure proper installation of your equipment.

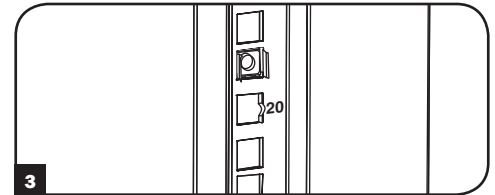
1 Locate the numbered square openings in the mounting rails where you plan to install your equipment. You will install cage nuts (included) into the square openings in order to provide an attachment point for the mounting screws (included). *Note: Consult your equipment documentation to determine how many cage nuts will be required and where they will need to be installed.*



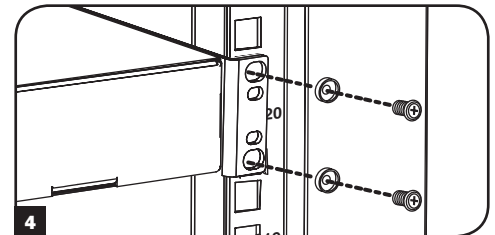
2 From the inside of the mounting rail, insert one of the flanges of the cage nut through the square opening. Press it against the side of the square opening. Each flange should engage one side of the square opening, not the top or bottom.



3 Compress the cage nut at the sides slightly to allow the remaining flange to fit through the square opening. When the cage nut is properly installed, both flanges will protrude through the square opening and will be visible on the outer surface of the mounting rail. Repeat steps 1-3 until all required cage nuts are installed.



4 After installing the required cage nuts, use the included mounting screws and cup washers to secure your equipment to the rack rail. Place the cup washers between the screws and the equipment mounting brackets.



Note: Your equipment may also include mounting hardware. Read the mounting instructions that came with your equipment before installing your equipment.

To Remove Cage Nuts, Reverse Steps 1-3

Note: You may wish to use a cage nut tool (user-supplied) to aid cage nut installation and removal.

8. Specifications

Model	SRW12UHD	SRW18UHD
Dimensions (H x W x D)	24.46 x 36.1 x 24.77" (621 x 917 x 629 mm)	35.96 x 36.1 x 24.77" (913 x 917 x 629 mm)
Unit Weight	101.4 lb (46 kg)	119.9 lb (54.4 kg)
Load Capacity	500 lb (226.8 kg)	500 lb (226.8 kg)
Mounting Depth (Adjustable)	19.36 – 30.36" (491.74 – 771.14 mm)	19.36 – 30.36" (491.74 – 771.14 mm)

9. Storage and Service

Storage

The enclosure should be stored in a controlled indoor environment, away from moisture, temperature extremes, flammable liquids and gasses, conductive contaminants, dust and direct sunlight. Store the enclosure in its original shipping container if possible.

Service

Your Tripp Lite product is covered by the warranty described in this manual. A variety of Extended Warranty and On-Site Service Programs are also available from Tripp Lite. For more information on service, visit www.tripplite.com/support. Before returning your product for service, follow these steps:

1. Review the installation and operation procedures in this manual to insure that the service problem does not originate from a misreading of the instructions.
2. If the problem continues, do not contact or return the product to the dealer. Instead, visit www.tripplite.com/support.
3. If the problem requires service, visit www.tripplite.com/support and click the Product Returns link. From here you can request a Returned Material Authorization (RMA) number, which is required for service. This simple on-line form will ask for your unit's model and serial numbers, along with other general purchaser information. The RMA number, along with shipping instructions will be emailed to you. Any damages (direct, indirect, special or consequential) to the product incurred during shipment to Tripp Lite or an authorized Tripp Lite service center is not covered under warranty. Products shipped to Tripp Lite or an authorized Tripp Lite service center must have transportation charges prepaid. Mark the RMA number on the outside of the package. If the product is within its warranty period, enclose a copy of your sales receipt. Return the product for service using an insured carrier to the address given to you when you request the RMA.

10. Warranty and Warranty Registration

5-Year Limited Warranty

Seller warrants this product, if used in accordance with all applicable instructions, to be free from original defects in material and workmanship for a period of 5 years from the date of initial purchase. If the product should prove defective in material or workmanship within that period, Seller will repair or replace the product, at its sole discretion.

THIS WARRANTY DOES NOT APPLY TO NORMAL WEAR OR TO DAMAGE RESULTING FROM ACCIDENT, MISUSE, ABUSE OR NEGLIGENCE. SELLER MAKES NO EXPRESS WARRANTIES OTHER THAN THE WARRANTY EXPRESSLY SET FORTH HEREIN. EXCEPT TO THE EXTENT PROHIBITED BY APPLICABLE LAW, ALL IMPLIED WARRANTIES, INCLUDING ALL WARRANTIES OF MERCHANTABILITY OR FITNESS, ARE LIMITED IN DURATION TO THE WARRANTY PERIOD SET FORTH ABOVE; AND THIS WARRANTY EXPRESSLY EXCLUDES ALL INCIDENTAL AND CONSEQUENTIAL DAMAGES. (Some states do not allow limitations on how long an implied warranty lasts, and some states do not allow the exclusion or limitation of incidental or consequential damages, so the above limitations or exclusions may not apply to you. This warranty gives you specific legal rights, and you may have other rights which vary from jurisdiction to jurisdiction).

WARNING: The individual user should take care to determine prior to use whether this device is suitable, adequate or safe for the use intended. Since individual applications are subject to great variation, the manufacturer makes no representation or warranty as to the suitability or fitness of these devices for any specific application.

Warranty Registration

Visit www.tripplite.com/warranty today to register the warranty for your new Tripp Lite product. You'll be automatically entered into a drawing for a chance to win a FREE Tripp Lite product!*

* No purchase necessary. Void where prohibited. Some restrictions apply. See website for details.

Regulatory Compliance Identification Numbers

For the purpose of regulatory compliance certifications and identification, your Tripp Lite product has been assigned a unique series number. The series number can be found on the product nameplate label, along with all required approval markings and information. When requesting compliance information for this product, always refer to the series number. The series number should not be confused with the marketing name or model number of the product.

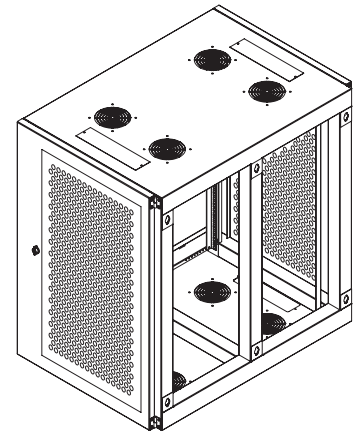
Tripp Lite has a policy of continuous improvement. Specifications are subject to change without notice.



Manual del propietario

Gabinete SmartRack[®] para instalar en la pared

Modelos: SRW12UHD y SRW18UHD



Índice

1. Instrucciones de seguridad importantes	10	6. Instalando el gabinete en la pared	14
2. Generalidades	10	7. Instalación de equipos	15
3. Identificación de las características	11	7.1 Instalación o extracción de las tuercas de jaula	15
4. Instalación del rack	12	8. Especificaciones	15
4.1 Preparación	12	9. Almacenamiento y servicio	16
4.2 Nivelando el gabinete	12	10. Garantía	16
4.3 Conexión a tierra	12	English	1
5. Configuración del rack	13	Français	17
5.1 Cerraduras de las puertas	13		
5.2 Acceso y Manejo de Cables	13		
5.3 Rieles de montaje	13		
5.4 Ajuste de la profundidad del riel de montaje	13		



1111 W. 35th Street, Chicago, IL 60609 USA • www.tripplite.com/support

Copyright © 2014 Tripp Lite. Todas las otras marcas registradas son propiedad de sus respectivos dueños.

1. Instrucciones de seguridad importantes



GUARDE ESTAS INSTRUCCIONES

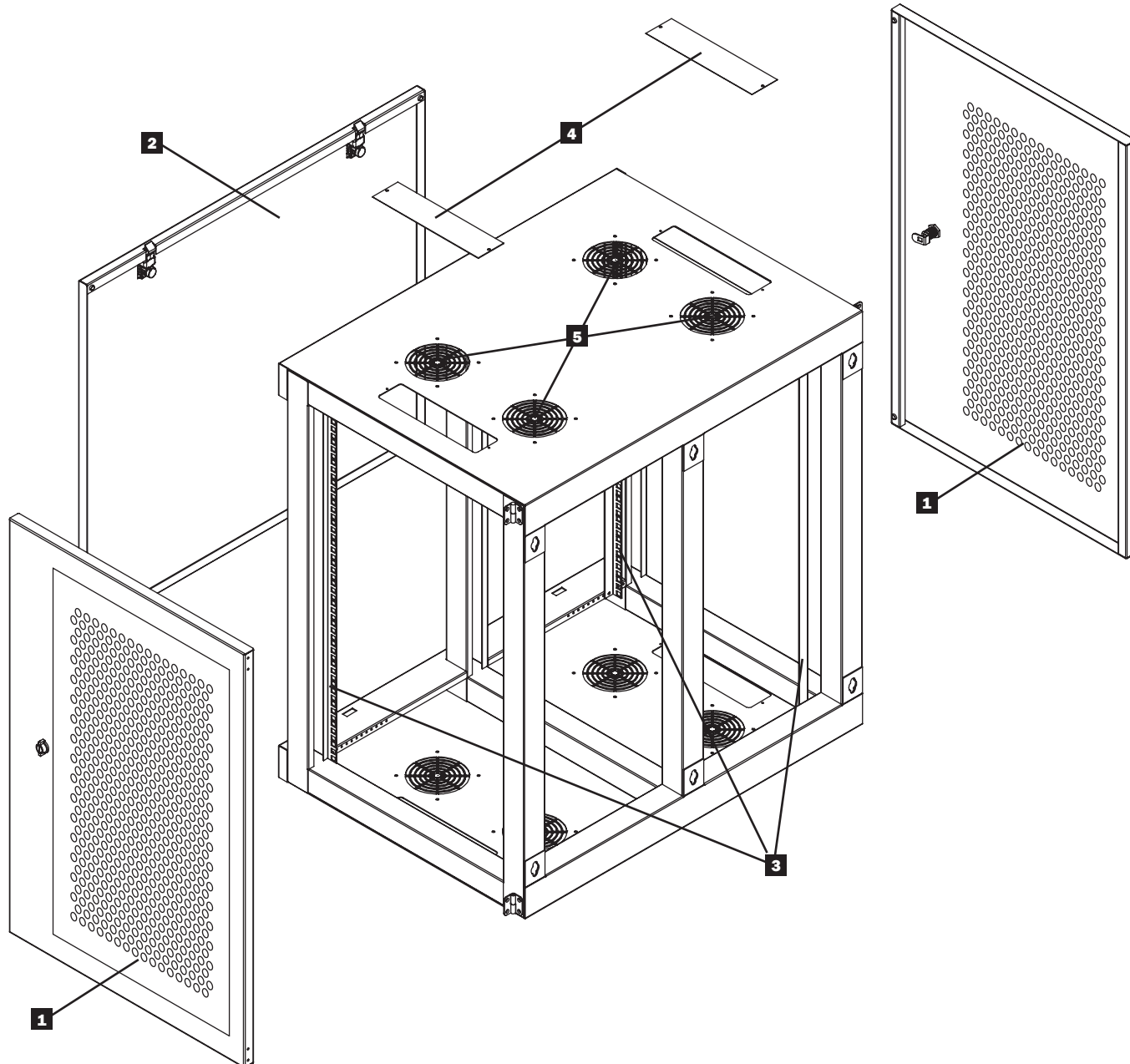
Este manual contiene instrucciones y advertencias que deben seguirse durante la instalación y operación de este producto descritas en este manual. El incumplimiento invalidará la garantía, pudiendo causar serios daños a la propiedad y/o lesiones personales.

- Mantenga el rack en un ambiente interior controlado, lejos de la humedad, las temperaturas extremas, los líquidos y los gases inflamables, los contaminantes conductores, el polvo y la luz directa del sol.
- Deje espacio suficiente en el frente y la parte trasera del rack para una ventilación adecuada. No bloquee, cubra ni inserte objetos en las aberturas de ventilación externa del rack.
- El rack es extremadamente pesado. Manipúlelo con precaución. No intente desembalarlo, moverlo ni instalarlo sin ayuda. Utilice un dispositivo mecánico como una horquilla elevadora o un gato para pálets para moverlo en el contenedor de envío.
- No coloque ningún objeto sobre el rack, especialmente contenedores de líquido, y no intente apilar los racks.
- Inspeccione el contenedor de envío y el rack para detectar daños producidos durante el transporte. No lo use si está dañado.
- Deje el rack en el contenedor de envío hasta que se lo haya movido lo más cerca posible del lugar de instalación.
- Instale el rack en una zona estructuralmente sana, capaz de soportar la carga, con piso nivelado que pueda soportar su peso, el de todos los equipos que se instalarán en él y cualquier otro rack o equipos que se instalarán cerca.
- Corte el material de embalaje con precaución. El rack podría rayarse causando daños que no están cubiertos por la garantía.
- Guarde los materiales de embalaje para utilizarlos en el futuro. Si el rack se vuelve a embalar y a enviar sin los materiales de embalaje originales, se pueden causar daños que anularán la garantía.
- No vuelva a enviar el rack con equipos adicionales, a menos que haya sido enviado con un pálet especial contra golpes (sólo los modelos "SP1"). El peso combinado del rack y de los equipos instalados no debe exceder la capacidad de carga del pálet. Tripp Lite no se responsabiliza por ningún daño que se produzca durante el reenvío.
- No se recomienda usar este equipo en aplicaciones de mantenimiento artificial de la vida, donde se puede esperar razonablemente que su falla cause la falla del equipo de mantenimiento de la vida o que afecte de manera importante su seguridad o eficiencia. No use este equipo en presencia de mezclas anestésicas inflamables con aire, oxígeno u óxido nítrico.

2. Generalidades

Los racks SmartRack sirven para colocar cualquier equipo estándar para montar en rack de 19 pulgadas, independientemente del proveedor, y se envían completamente ensamblados para una implementación rápida y fácil.

3. Identificación de las características



- 1** Puertas laterales removibles y con cerradura
- 2** Panel frontal removible y con cerradura
- 3** Rieles para Instalación Vertical
- 4** Cubierta removible para el agujero de acceso de los cables
- 5** Ventiladores

4. Instalación del rack



¡Precaución! Lea todas las instrucciones y advertencias antes de la instalación.



Advertencia: Los racks pueden ser extremadamente pesados. No intente desembalarlo, moverlo ni instalarlo sin ayuda. Use máxima precaución al manipularlo y asegúrese de seguir todas las instrucciones de manipulación e instalación. No intente instalar equipos sin estabilizar primero el rack.

4.1 Preparación

El rack se debe instalar en una zona estructuralmente sana que pueda soportar su peso, el de todos los equipos que se instalarán en él y cualquier otro rack o equipos que se instalarán cerca. Antes de desembalar el rack, debería transportar el contenedor de envío lo más cerca posible de la ubicación de instalación final para minimizar la distancia que necesitará moverlo después de quitarle el embalaje protector. Si planea almacenarlo durante un período prolongado antes de instalarlo, siga las instrucciones de la sección **Almacenamiento y servicio**.

Necesitará estas herramientas:

- Nivel
- Destornillador Philips

4.2 Nivelando el gabinete

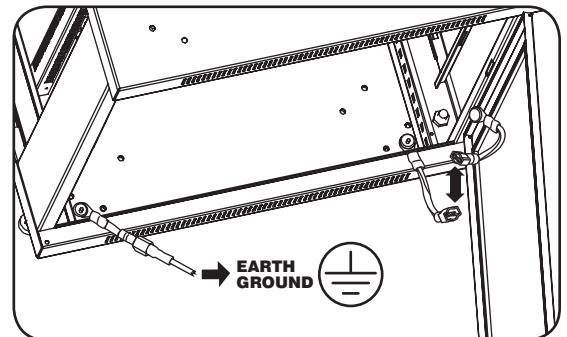


ADVERTENCIA: Nivele el rack antes de instalar los equipos. Instale el rack en una zona estructuralmente sana, con piso nivelado que pueda soportar su peso, el de todos los equipos que se instalarán en él y cualquier otro rack o equipos que se instalarán cerca.

4.3 Conexión a tierra

Todas las partes del gabinete se conectan a tierra con el marco del gabinete. Conecte uno de los dos cables de conexión a tierra, de rápida desconexión, al agujero provisto dentro de cualquiera de las dos puertas laterales y conectar el otro cable de conexión a tierra, de rápida desconexión, a cualquiera de los pernos del gabinete. Luego conectar la conexión de tierra física de sus instalaciones al perno de conexión a tierra no usado por las conexiones de la puerta con un cable 8 AWG (3.264 mm).

Advertencia: Conecte cada rack a tierra por separado. No use el rack sin una conexión a tierra.

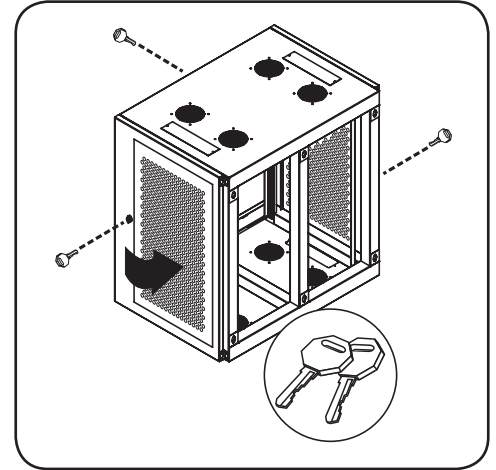


5. Configuración del rack

Antes de la instalación, asegúrese de planear la ubicación y arreglo de los componentes dentro del gabinete.

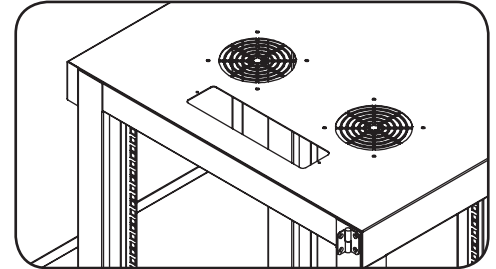
5.1 Cerraduras de las puertas

El panel frontal y las puertas laterales tienen cerraduras que funcionan con las llaves incluidas.



5.2 Acceso y Manejo de Cables

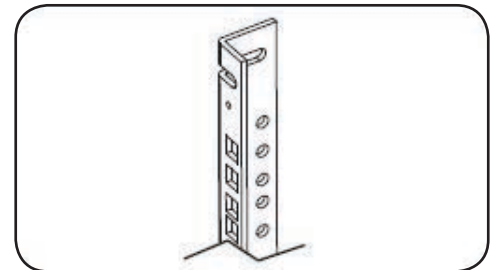
Se pueden encontrar dos aberturas adicionales en el fondo y en la parte superior del gabinete. Cada una de las cuatro aberturas en la partes superior y en el fondo del gabinete pueden ser cerradas atornillando los paneles removibles de acceso de cables.



5.3 Rieles de montaje

El gabinete viene con rieles de instalación que tienen orificios cuadrados y orificios roscados para equipo de instalación en rack. Para instalar los equipos, utilice las tuercas de jaula y las otras herramientas incluidas. (Consulte la página 15 para ver la instalación de las tuercas de jaula).

Advertencia: Asegurarse de tener el gabinete instalado firmemente en la pared antes de instalar cualquier equipo dentro de él. Asegúrese también de realizar todos los ajustes adecuados de rieles antes de montar los equipos. (Consulte la sección siguiente para ver el Ajuste de la profundidad del riel de montaje).

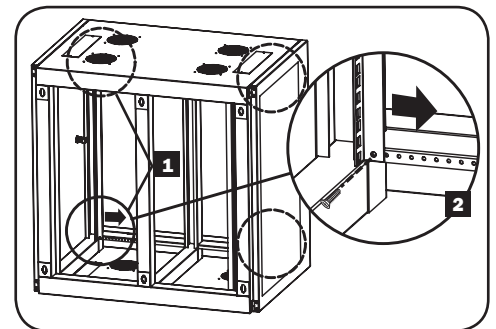


5.4 Ajuste de la profundidad del riel de montaje

Advertencia: No intente ajustar los rieles mientras los equipos están instalados en el rack. No intente utilizar rieles sin tornillos instalados. (2 por riel).

Los 4 rieles de montaje están preinstalados para acomodar los equipos con una profundidad de montaje de 20,5 pulgadas (521 mm). No ajuste los rieles de montaje a menos que los equipos requieran una profundidad de montaje distinta. Los conjuntos de rieles frontales y traseros pueden ajustarse en forma independiente para montar equipos con profundidades entre 3 pulgadas (76 mm) y 32,5 pulgadas (826 mm).

- 1 Cada riel se conecta al rack con dos tornillos: 1 en la esquina superior y otro en la esquina inferior. Utilizando un destornillador Phillips, extraiga los tornillos que ajustan los rieles al rack.
- 2 Deslice los rieles de montaje hasta la profundidad deseada y vuelva a unirlos mediante los tornillos que extrajo anteriormente en el Paso 1.



6. Instalando el gabinete en la pared

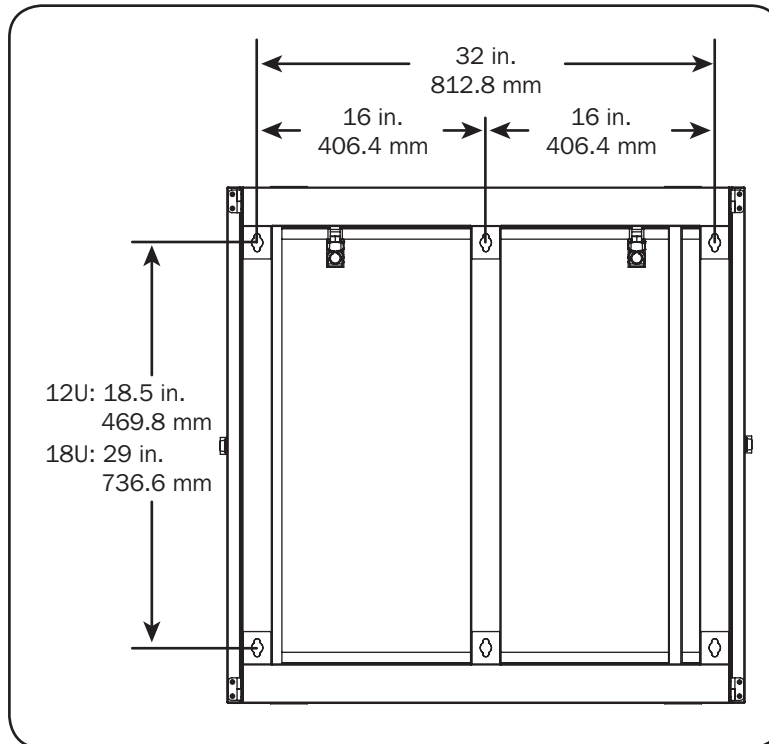


Advertencia: No intentar instalar el gabinete en la pared con el equipo ya instalado en el gabinete.

Hay 6 pequeñas aberturas en la puerta trasera del gabinete. Cada abertura puede aceptar un perno M10 o de 3/8". Las aberturas están a 16" de distancia en la horizontal y a 29" en la vertical, para ajustarse a las distancias típicas de los pernos, como se muestra en el diagrama.

Nota: No levante el gabinete a su posición de instalación con las puertas instaladas. Quite siempre las puertas antes de levantar el gabinete para reducir el peso del gabinete.

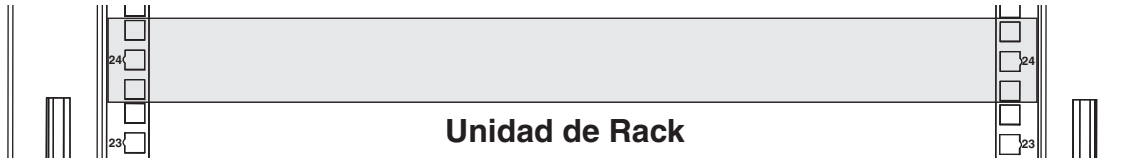
Use un nivel para determinar con precisión la posición de las áreas de instalación. Use sujetadores adecuados (no incluidos) para asegurar el gabinete a la pared. **Advertencia: El área donde se planea instalar el gabinete debe poder soportar el peso del gabinete con todo el equipo instalado. Para ver el peso del gabinete y su capacidad, consulte las Especificaciones mostradas en la página 15.**



7. Instalación de equipos

Advertencia: No instale equipos hasta que haya estabilizado el rack. Instale primero los equipos más pesados en la parte inferior del rack. Instálelos de abajo hacia arriba, nunca en sentido contrario. Si usa rieles para equipos deslizantes, tenga cuidado al extender los rieles. No extienda más de un juego de rieles por vez. Evite extender rieles de equipos deslizantes cerca de la parte superior del rack.

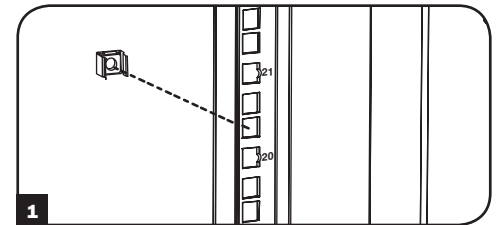
Nota: Los orificios cuadrados en el centro de cada unidad del rack están numerados y también incluyen una pequeña muesca para identificarlos. Una sola unidad de rack incluye el espacio ocupado por el orificio numerado y los orificios ubicados directamente encima y debajo.



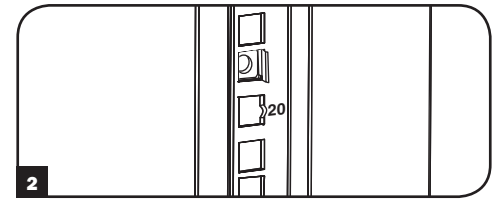
7.1 Instalación o extracción de las tuercas de jaula

ADVERTENCIA: Las bridas de las tuercas en jaula deben engancharse en los lados de la abertura cuadrada del riel, no en la parte superior o inferior. Siga las instrucciones de la documentación de sus equipos para instalarlos correctamente.

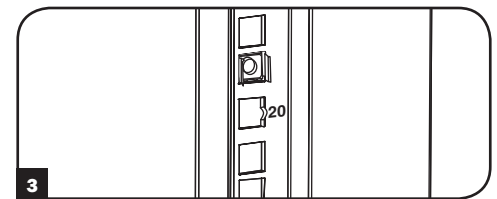
1 Ubique las aberturas cuadradas numeradas en los rieles de montaje en donde planea instalar los equipos. Instalará tuercas en jaula (incluidas) en las aberturas cuadradas para obtener un punto de fijación para los tornillos de montaje (incluidos). *Nota:* Consulte la documentación del equipo para determinar la cantidad de tuercas de jaula que serán necesarias y dónde deberán instalarse.



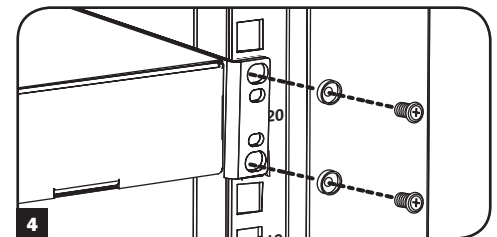
2 Desde adentro del riel de montaje, inserte una de las bridas de la tuerca en jaula a través de la abertura cuadrada. Presiónela contra el lado de la abertura cuadrada. Cada brida debe engancharse en un lado de la abertura cuadrada, ni arriba ni abajo.



3 Comprima la tuerca ligeramente a los costados para permitir que la brida restante entre por la abertura cuadrada. Cuando la tuerca de jaula esté instalada adecuadamente, ambas bridas asomarán a través de la abertura cuadrada y podrán verse desde la superficie exterior del riel de montaje. Repita los pasos 1 a 3 hasta que todas las tuercas en jaula estén instaladas.



4 Después de instalar las tuercas en jaula necesarias, utilice los tornillos de montaje y las arandelas incluidos para asegurar los equipos al riel del rack. Coloque las arandelas entre los tornillos y los soportes de montaje del equipo.



Nota: Su equipo también puede incluir herramientas de montaje. Lea las instrucciones de montaje de su equipo antes de instalarlo.

Para extraer las tuercas en jaula, siga los pasos 1 a 3 en sentido inverso.

Nota: Puede usar una herramienta para tuercas en jaula (suministrada por el usuario) para ayudarse en la instalación y la extracción.

8. Especificaciones

Modelo	SRW12UHD	SRW18UHD
Dimensiones (A x An x P)	24,46 x 36,1 x 24,77" (621 x 917 x 629 mm)	35,96 x 36,1 x 24,77" (913 x 917 x 629 mm)
Peso de la unidad	101,4 lb (46 kg)	119,9 lb (54,4 kg)
Capacidad de carga	500 lb (226,8 kg)	500 lb (226,8 kg)
Profundidad de montaje (Ajustable)	19,36 – 30,36" (491,74 – 771,14 mm)	19,36 – 30,36" (491,74 – 771,14 mm)

9. Almacenamiento y servicio

Almacenamiento

El rack debe almacenarse en un ambiente interior controlado, lejos de la humedad, las temperaturas extremas, los líquidos y los gases inflamables, los contaminantes conductores, el polvo y la luz solar directa. Si es posible, almacénelo en su contenedor de envío original.

Servicio

Su producto Tripp Lite está cubierto por la garantía descrita en este manual. Tripp Lite también pone a disposición una variedad de garantías extendidas y programas de servicio en el sitio. Para obtener más información sobre mantenimiento, visite www.tripplite.com/support. Antes de enviar el producto a mantenimiento, siga estos pasos:

1. Revise los procedimientos de instalación y operación descritos en este manual para asegurarse de que el problema de servicio no se origina en una mala comprensión de las instrucciones.
2. Si el problema continúa, no se comunique ni devuelva el producto al distribuidor. En su lugar, visite www.tripplite.com/support.
3. Si el problema requiere servicio, visite www.tripplite.com/support y haga clic en el enlace Devolución de productos. Aquí puede solicitar un número de autorización de devolución de mercadería (RMA), que es necesario para el servicio. En este simple formulario en línea se le pedirá el modelo y números de serie de su unidad, junto con otra información general sobre el comprador. El número RMA y las instrucciones para el envío se le enviarán por correo electrónico. Esta garantía no cubre ningún daño (directo, indirecto, especial o consecuencial) que el producto sufra durante el envío a Tripp Lite o un centro de servicio autorizado por Tripp Lite. Los productos que se envían a Tripp Lite o un centro de servicio autorizado por Tripp Lite debe tener prepagos los cargos de envío. Escriba el número RMA en el exterior del paquete. Si el producto se encuentra dentro del período de garantía, adjunte una copia del recibo de venta. Envíe el producto para servicio a través de un transportador asegurado a la dirección que se le proporcione cuando solicite el RMA.

10. Garantía

Garantía limitada por 5 años

El vendedor garantiza que este producto no tiene defectos originales de materiales ni de mano de obra por un período de cinco años a partir de la fecha original de compra, si se utiliza de acuerdo con todas las instrucciones correspondientes. En caso de demostrarse dentro de ese período que el producto tiene defectos de materiales o de mano de obra, el vendedor lo reparará o reemplazará a su exclusiva discreción.

ESTA GARANTÍA NO CUBRE EL DESGASTE NORMAL NI LOS DAÑOS CAUSADOS POR ACCIDENTES, MAL USO, ABUSO O NEGLIGENCIA. EL VENDEDOR NO OFRECE NINGUNA GARANTÍA EXPRESA QUE NO SEA LA ESTABLECIDA EXPRESAMENTE EN EL PRESENTE DOCUMENTO. EXCEPTO EN LA MEDIDA EN QUE LO PROHÍBAN LAS LEYES APLICABLES, LA DURACIÓN DE TODAS LAS GARANTÍAS IMPLÍCITAS, INCLUIDAS LAS DE COMERCIABILIDAD O APTITUD, SE LIMITA AL PERÍODO DE GARANTÍA ANTES MENCIONADO Y ESTA GARANTÍA EXCLUYE EXPRESAMENTE TODOS LOS DAÑOS INCIDENTALES E INDIRECTOS. (Algunos Estados no permiten las limitaciones a la duración de una garantía implícita y algunos Estados no permiten la exclusión o limitación de los daños incidentales o indirectos, de modo que las limitaciones o exclusiones antes mencionadas pueden no corresponder en su caso. Esta garantía le otorga derechos legales específicos y usted puede tener otros derechos que varían de una jurisdicción a otra).

ADVERTENCIA: Antes de usar este dispositivo, cada usuario debe ocuparse de determinar si es apto, adecuado o seguro para el uso que pretende darle. Dado que las aplicaciones individuales están sujetas a diversas variaciones, el fabricante no representa ni garantiza la idoneidad o condición de estos dispositivos para cualquier aplicación específica.

Cumplimiento de las normas de los números de identificación

Para fines de identificación y certificación del cumplimiento de las normas, su producto Tripp Lite tiene asignado un número de serie único. Puede encontrar el número de serie en la etiqueta de la placa de identificación del producto, junto con los símbolos de aprobación e información requeridos. Al solicitar información sobre el cumplimiento de las normas para este producto, siempre mencione el número de serie. El número de serie no debe ser confundido con el nombre de identificación ni con el número de modelo del producto.

Tripp Lite tiene la política de mejora continua. Las especificaciones están sujetas a cambios sin notificación previa.



Manuel de l'utilisateur

Boîtier mural SmartRack®

Modèles : SRW12UHD et SRW18UHD

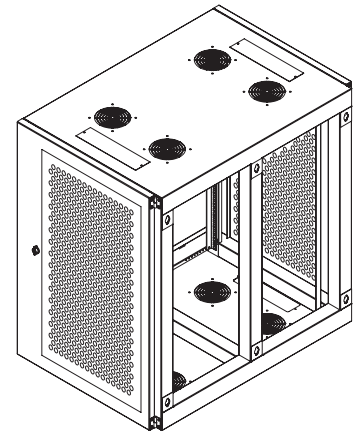


Table des matières

1. Consignes de sécurité importantes	18	6. Montage mural du boîtier	22
2. Présentation	18	7. Installation de l'équipement	23
3. Identification des pièces de l'armoire	19	7.1 Installer ou retirer les écrous à cage	23
4. Installation de l'armoire	20	8. Spécifications techniques	24
4.1 Préparation	20	9. Entreposage et entretien	24
4.2 Mise à niveau du boîtier	20	10. Garantie	24
4.3 Mise à la terre	20	English	1
5. Configuration de l'armoire	21	Español	9
5.1 Verrous des portes	21		
5.2 Accès et gestion des câbles	21		
5.3 Rails de montage	21		
5.4 Ajuster la profondeur des rails de montage	21		



1111 W. 35th Street, Chicago, IL 60609 USA • www.tripplite.com/support

Copyright © 2014 Tripp Lite. Toutes les marques commerciales sont la propriété exclusive de leurs propriétaires respectifs.

1. Consignes de sécurité importantes



CONSERVEZ CES INSTRUCTIONS

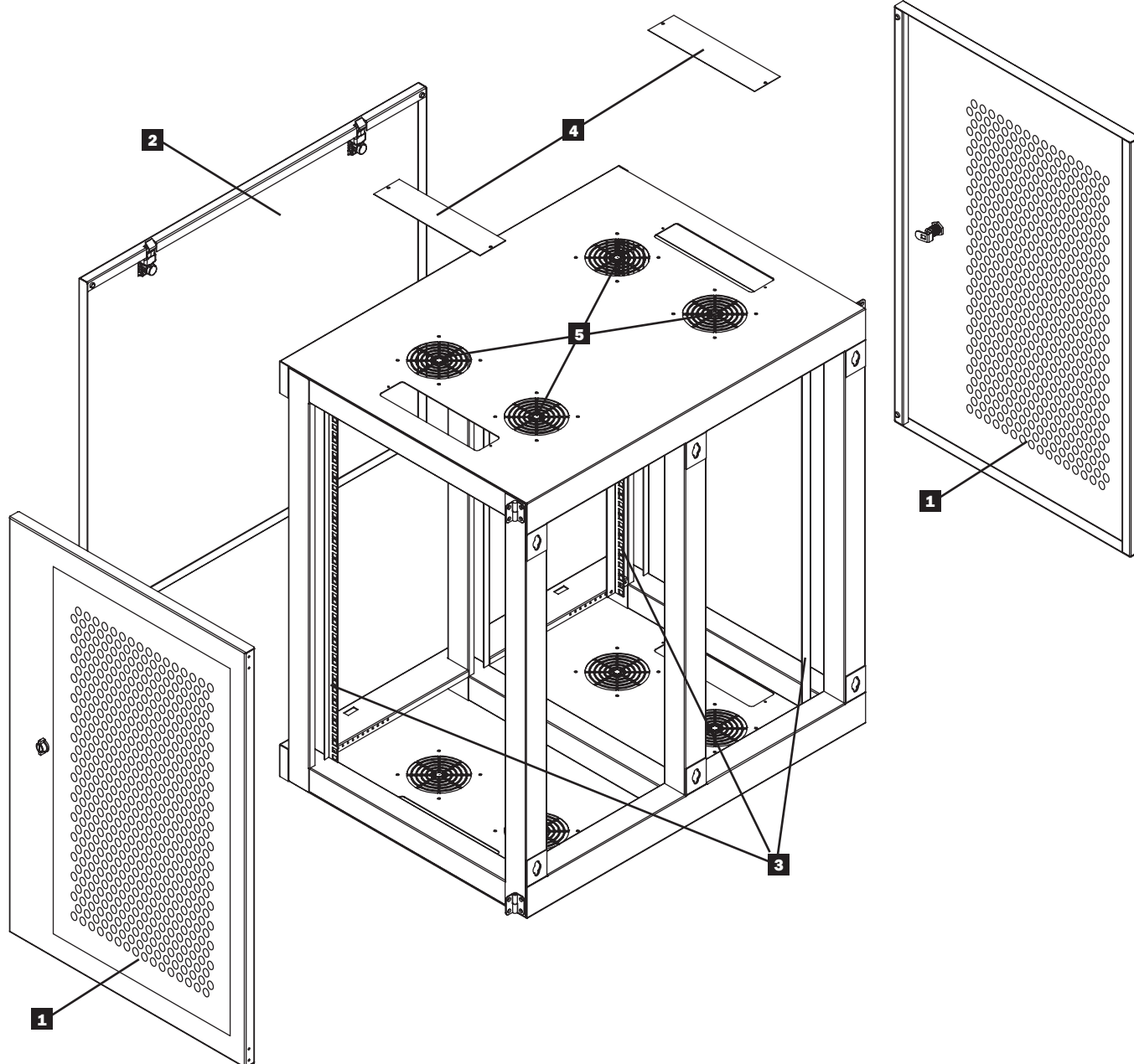
Ce manuel contient des instructions et des avertissements à suivre lors de l'installation et de l'utilisation du produit décrit dans ce manuel. Le non-respect de ces instructions pourrait annuler la validité de la garantie et causer des dommages matériels ou occasionner des blessures personnelles.

- Placez l'armoire dans un environnement intérieur contrôlé, à l'abri de l'humidité, des températures extrêmes, des liquides et des gaz inflammables, des contaminants conducteurs, de la poussière et du soleil.
- Laissez un espace suffisant à l'avant à l'arrière de l'armoire pour permettre une bonne circulation d'air. Ne pas bloquer, couvrir ni insérer d'objets dans les ouvertures d'aération de l'armoire.
- L'armoire est extrêmement lourde. La manutention de ce produit doit être effectuée avec précaution. N'essayez pas de le déballer, de le déplacer ou de l'installer sans aide. Utilisez un équipement mécanique comme un chariot élévateur ou un transpalette pour déplacer l'armoire dans le conteneur d'expédition.
- Ne posez aucun objet sur l'armoire, surtout aucun contenant renfermant du liquide, et ne tentez pas d'empiler les armoires.
- Inspectez le conteneur d'expédition et l'armoire pour vérifier s'ils ont été endommagés au cours de l'expédition. N'utilisez pas l'armoire si elle est endommagée.
- Laissez l'armoire dans le conteneur d'expédition jusqu'à ce que celui-ci ait été déplacé le plus près possible de l'endroit définitif où l'armoire sera installée.
- Installez l'armoire dans un endroit capable de supporter la charge ou sur un plancher au niveau capable de supporter le poids de l'armoire, de tout équipement qui sera installé dans l'armoire ou tout autre armoire et/ou équipement qui sera installé à proximité.
- Prenez toute les précautions nécessaires en découpant les matériaux d'emballage. L'armoire pourrait être rayée et entraînant ainsi des dommages non couverts par la garantie.
- Conservez tout le matériel d'emballage. En cas de renvoi, ils seront nécessaires pour remballer le produit dans son emballage d'origine afin d'éviter tout dommage qui annulerait la garantie.
- Ne renvoyez pas l'armoire avec d'autres équipements sauf si l'armoire est renvoyée dans une palette antichoc particulière (modèle « SPI » uniquement). Le poids total de l'armoire et de l'équipement installé ne doit pas dépasser la capacité de charge de la palette. Tripp Lite n'accepte aucune responsabilité pour tout dommage survenant lors de la réexpédition.
- L'utilisation de cet équipement pour des applications de réanimation où la panne de cet équipement pourrait raisonnablement causer la panne des équipements de réanimation ou d'affecter considérablement leur sécurité ou leur efficacité, n'est pas recommandé. Ne pas utiliser cet équipement en présence d'un mélange anesthésique inflammable avec de l'air, de l'oxygène ou de l'oxyde nitreux.

2. Présentation

Les armoires SmartRack conviennent pour tous les équipements standards sur bâti de 48,26 cm (19") quel que soit le fabricant et sont expédiées entièrement montées pour une mise en place rapide et facile.

3. Identification des pièces de l'armoire



- 1** Portes latérales verrouillables/amovibles
- 2** Panneau avant verrouillable/amovible
- 3** Rails de montage verticaux
- 4** Couverts amovibles des trous d'accès aux câbles
- 5** Événements

4. Installation de l'armoire



Attention ! Lisez toutes les instructions et les avertissements avant l'installation !



Attention : Les armoires de bâti peuvent être extrêmement lourdes. N'essayez pas de les déballer, de les déplacer ou de les installer sans aide. La manutention de l'armoire doit être effectuée avec une extrême précaution et assurez-vous de suivre toutes les instructions de manutention et d'installation. Ne tentez pas d'installer votre équipement avant d'avoir stabilisé l'armoire.

4.1 Préparation

L'armoire doit être installée dans un endroit structurellement capable de supporter le poids de l'armoire, de tout équipement qui sera installé dans l'armoire ou toute autre armoire et/ou équipement qui sera installé à proximité. Avant de déballer l'armoire, le conteneur d'expédition doit être rapproché le plus près possible du lieu définitif d'installation pour minimiser la distance de déplacement de l'unité après avoir déballé l'emballage de protection. Si vous prévoyez d'entreposer l'armoire pour une durée prolongée avant de l'installer, suivez les instructions de la section **Entreposage et entretien**.

Les outils suivants sont essentiels :

- Barre de niveau
- Tournevis à tête Phillips

4.2 Mise à niveau du boîtier

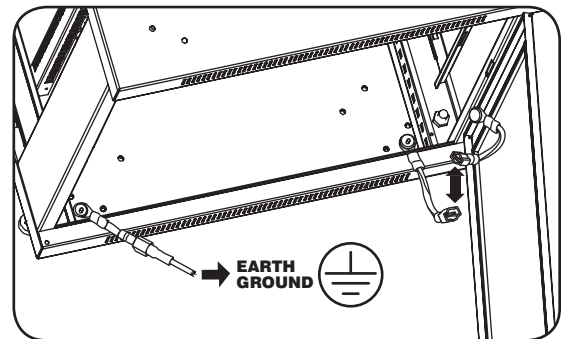


ATTENTION : Mettez l'armoire à niveau avant d'essayer d'installer votre équipement. Installez l'armoire sur une surface à niveau, capable de supporter le poids du coffret, de tout équipement qui sera installé dans l'armoire ou de tout autre coffret et/ou équipement qui sera installé à proximité.

4.3 Mise à la terre

Toutes les parties du boîtier sont mises à la masse sur le cadre du boîtier. Brancher un de deux fils de mise à la masse à déconnexion rapide au trou qui se trouve à l'intérieur d'une des portes latérales et brancher l'autre fil de mise à la masse à déconnexion rapide à un des montants du boîtier. Brancher ensuite la connexion de mise à la masse de l'établissement au montant de mise à la masse non utilisé par les connexions de porte avec un fil 8 AWG (3,264 mm).

Attention : Chaque armoire doit être mise à la terre séparément. N'utilisez pas l'armoire avant d'avoir effectué le branchement à la terre.

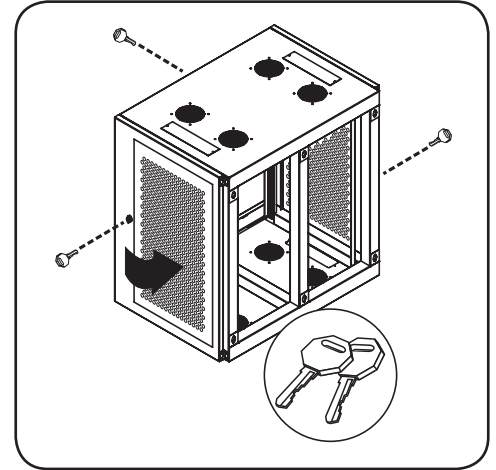


5. Configuration de l'armoire

Avant l'installation, s'assurer de prévoir l'emplacement et la disposition des composants à l'intérieur du boîtier.

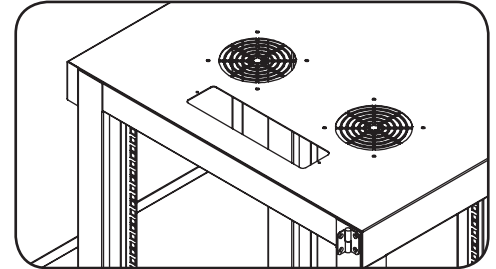
5.1 Verrous des portes

Les portes latérales et le panneau avant comportent des verrous qui sont accessibles avec les clés incluses.



5.2 Accès et gestion des câbles

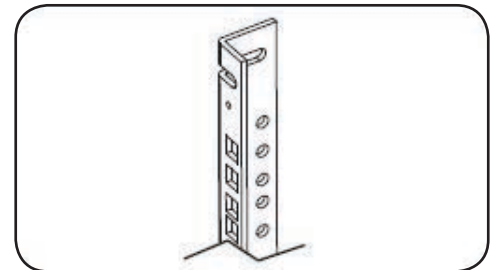
Les deux ouvertures additionnelles se trouvent sur le dessus et au fond de l'armoire. Chacune des quatre ouvertures sur le dessus et au fond de l'armoire peut être fermée en vissant les panneaux amovibles d'accès aux câbles.



5.3 Rails de montage

Le boîtier est fourni avec des rails de fixation qui sont pourvus à la fois de trous carrés et de trous taraudés pour fixer l'équipement au support. Pour installer l'équipement, utilisez les écrous à cage et tout autre élément de montage (voir les détails de l'installation des écrous de cage en page 23).

Avertissement : S'assurer que le boîtier est monté au mur de façon sécuritaire avant de monter l'équipement à l'intérieur. Vérifiez également l'ajustement des rails avant d'y monter l'équipement. (Voir ci-dessous pour l'ajustement de la profondeur des rails de montage.)

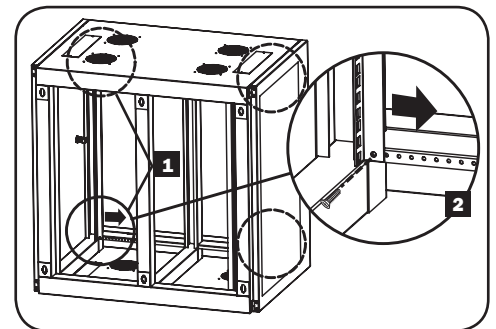


5.4 Ajuster la profondeur des rails de montage

Attention : N'essayez pas d'ajuster les rails de montage avec de l'équipement installé dans l'armoire. N'utilisez pas les rails sans les avoir d'abord vissés. (2 vis par rail.)

Les 4 rails de montage sont préinstallés pour recevoir de l'équipement d'une profondeur de montage de 521 mm (20,5 po). N'ajustez pas les rails de montage à moins que votre équipement nécessite une profondeur de montage différente. Les rails avant et arrière peuvent être ajustés indépendamment pour le montage d'équipement de 76 mm à 826 mm de profondeur (3 à 32,5 po).

- 1 Chaque rail est fixé à l'armoire par 2 vis : 1 au coin supérieur et l'autre au coin inférieur. Avec un tournevis à tête Phillips, retirez les vis qui maintiennent les rails à l'armoire.
- 2 Faites glisser les rails de montage à la profondeur désirée et revissez les vis retirées à la première étape.



6. Montage mural du boîtier

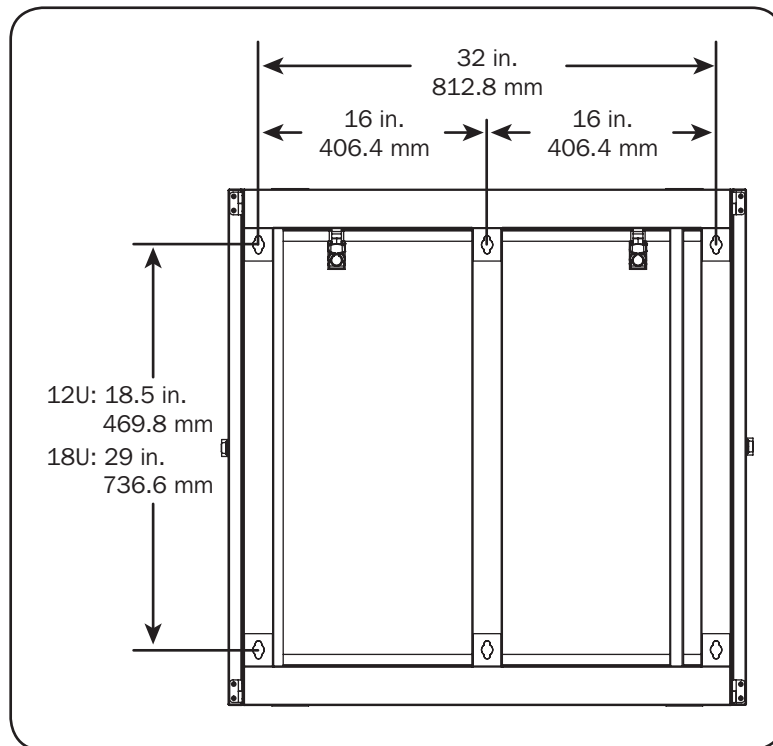


Avertissement : Ne pas tenter de monter le boîtier au mur avec l'équipement monté dans le boîtier.

On retrouve 6 découpe en trou de serrure sur la porte arrière du boîtier. Chaque trou de serrure peut accueillir un boulon M10 ou de 9,5 mm (3/8 po). Les trous se trouvent à 40,6 cm (16 po) l'un de l'autre sur le plan horizontal et 73,7 cm (29 po) l'un de l'autre sur le plan vertical afin de correspondre à l'écart type des montants, tel qu'illustré dans le diagramme.

Remarque : Ne pas soulever le boîtier en position de montage avec les portes installées. Toujours enlever les portes avant de soulever afin de réduire le poids du boîtier.

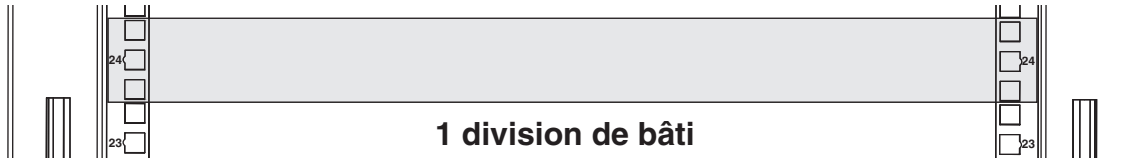
Utiliser un niveau, mesurer avec précision la position des zones de montage. Utiliser des fixations appropriées (non incluses) pour retenir le boîtier au mur. **Avertissement : L'emplacement où vous prévoyez monter le boîtier doit pouvoir supporter le poids du boîtier et de tout l'équipement monté. Pour connaître le poids du boîtier et sa capacité, se reporter aux spécifications à la page 23.**



7. Installation de l'équipement

Attention : N'installez aucun équipement avant d'avoir installé l'armoire de manière stable. Installez d'abord l'équipement le plus lourd et installez-le au bas de l'armoire. Installez l'équipement en partant du bas de l'armoire et en remontant vers le haut de l'armoire – jamais l'inverse. Si vous utilisez des rails d'équipement coulissants, faites-les coulisser avec précaution. Ne faites coulisser qu'un ensemble de rails à la fois. Évitez de faire coulisser les rails d'équipement coulissant près du haut de l'armoire.

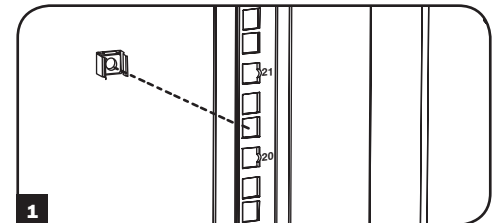
Remarque : Les trous carrés au milieu de chaque unité du bâti sont numérotés et incluent également une petite encoche pour faciliter l'identification. Chaque unité du bâti inclut l'espace occupé par le trou numéroté et les trous directement au-dessus ou au-dessous.



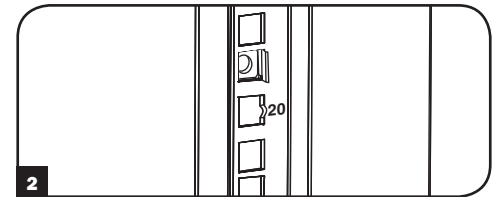
7.1 Installer et retirer les écrous à cage

ATTENTION : Les brides des écrous à cage doivent rentrer sur les côtés de l'ouverture carrée du rail, et non pas dans le haut ou le bas. Suivez les instructions sur la documentation de votre équipement pour vous assurer de l'installation appropriée de l'équipement.

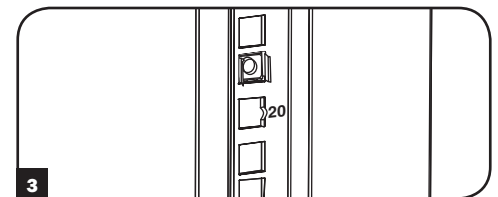
1 Localisez les ouvertures des trous carrés numérotés sur les rails de montage où vous prévoyez installer votre équipement. Vous installerez les écrous à cage (fournis) dans les ouvertures carrées afin de donner un point de fixation aux vis de montage (fournies). Remarque : Consultez la documentation de votre équipement pour déterminer combien d'écrous à cage seront nécessaires et où ils devront être installés.



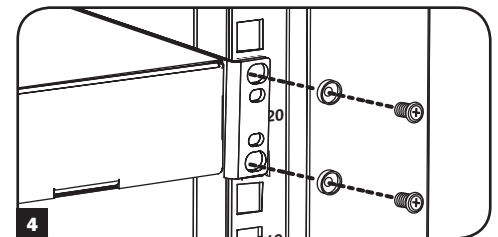
2 Insérer une des brides des écrous à cage dans l'ouverture carrée, depuis l'intérieur du rail de montage. Enfoncez-la sur le côté de l'ouverture carrée. Chaque bride doit entrer dans le côté de l'ouverture carrée, et non pas dans le haut ou le bas.



3 Enfoncez légèrement l'écrou à cage sur les côtés pour permettre à la bride restante de passer dans l'ouverture carrée. Lorsque l'écrou à cage est correctement installé, les deux brides sortiront par l'ouverture carrée et seront visibles sur la surface extérieure du rail de montage. Répétez les étapes 1 à 3 jusqu'à ce que les écrous à cage soient installés.



4 Après avoir installé les écrous à cage nécessaires, utilisez les vis de montage et les rondelles à collerette pour fixer votre équipement au rail de montage. Placez les rondelles à collerette entre les vis et les supports de montage de l'équipement.



Remarque : Votre équipement peut également inclure du matériel de montage. Lisez les instructions de montage fournies avec votre équipement avant de l'installer.

Pour retirer les écrous à cage, inversez les étapes 1 à 3

Remarque : Vous pouvez utiliser un outil à écrou à cage (non fourni) pour faciliter l'installation et le retrait des écrous à cage

8. Spécifications techniques

Modèle	SRW12UHD	SRW18UHD
Dimensions (H x L x P)	24,46 x 36,1 x 24,77" (621 x 917 x 629 mm)	35,96 x 36,1 x 24,77" (913 x 917 x 629 mm)
Poids de l'unité	101,4 lb (46 kg)	119,9 lb (54,4 kg)
Capacité de charge	500 lb (226,8 kg)	500 lb (226,8 kg)
Profondeur de montage (ajustable)	19,36 – 30,36" (491,74 – 771,14 mm)	19,36 – 30,36" (491,74 – 771,14 mm)

9. Entreposage et entretien

Entreposage

L'armoire doit être entreposée dans un environnement intérieur contrôlé, à l'abri de l'humidité, des températures extrêmes, des liquides et des gaz inflammables, des contaminants conducteurs, de la poussière et du soleil. Entrez l'armoire dans son emballage et conteneur d'expédition d'origine si possible.

Entretien

Votre produit Tripp Lite est couvert par la garantie décrite dans ce manuel. Tripp Lite propose plusieurs plans d'extension de garantie ou de dépannage/maintenance sur site. Pour de plus amples renseignements, visitez le site www.tripplite.com/support. Avant de renvoyer votre produit pour service, suivez les étapes suivantes :

1. Passer en revue les procédures d'installation et d'opération de ce manuel afin de vous assurer que le problème en question ne provient pas d'une fausse interprétation des instructions.
2. Si le problème persiste, ne pas contacter ou retourner le produit au détaillant. Visitez plutôt www.tripplite.com/support.
3. Si le problème nécessite des réparations, visitez le site www.tripplite.com/support et cliquez sur le lien Product Returns (Retour des produits). De là, vous pouvez demander un numéro d'autorisation de retour de matériel (RMA), nécessaire pour une réparation. Vous devez indiquer le modèle et les numéros de série de votre unité sur le formulaire en ligne simple et préciser les détails de l'acheteur. Le numéro RMA et les instructions de renvoi vous seront adressés par courriel. Tout dommage (direct ou indirect, spécifique ou consécutif) au produit, subi au cours de l'expédition à Tripp Lite ou à un centre de service autorisé de Tripp Lite, ne sera pas couvert par la garantie. Les frais d'expédition des produits renvoyés à Tripp Lite ou à un centre de service autorisé de Tripp Lite doivent être prépayés. Notez le numéro RMA sur le colis. Si le produit est sous garantie, joignez une copie de votre preuve d'achat. Renvoyez le produit à être réparé par transporteur assuré, à l'adresse qui vous a été donnée lors de votre demande de RMA.

10. Garantie

Garantie limitée de 5 ans

Le vendeur garantit que ce produit, si celui-ci est utilisé conformément à toutes les instructions applicables, est dépourvu de défauts de matière et de main d'œuvre pendant une période de 5 ans à partir de la date initiale d'achat. Si le produit présente un défaut de matière ou de main d'œuvre pendant cette période, le vendeur s'engage à le réparer ou à le remplacer, à sa seule discrétion.

CETTE GARANTIE NE S'APPLIQUE NI A L'USURE NORMALE NI AUX DOMMAGES RÉSULTANT D'UN ACCIDENT, D'UNE MAUVAISE UTILISATION, D'UN ABUS OU D'UNE NÉGLIGENCE. LE VENDEUR N'ACCORDE AUCUNE GARANTIE EXPRESSE CELLE MENTIONNÉE EXPRESSÉMENT DANS LA PRÉSENTE. SAUF DANS LA MESURE OU LES LOIS PERTINENTES L'INTERDISSENT, TOUTES LES GARANTIES IMPLICITES, Y COMPRIS LES GARANTIES DE QUALITÉ MARCHANDE OU D'ADÉQUATION, SONT LIMITÉES À LA DURÉE DE LA PÉRIODE DE GARANTIE DÉFINIE CI-DESSUS ; ET CETTE GARANTIE EXCLUT EXPRESSÉMENT TOUS LES DOMMAGES FORTUITS OU CONCÉCUTIFS. (Certaines juridictions n'autorisent pas de limitation de la durée de la garantie implicite et d'autre l'exclusion ou la limitation des dommages fortuits ou consécutifs, les limitations ou exclusions mentionnées ci-dessus peuvent ne pas s'appliquer à votre cas. La présente garantie vous donne des droits spécifiques et vous pouvez jouir d'autres droits qui varient d'une juridiction à une autre.)

AVERTISSEMENT : Avant tout usage, l'utilisateur doit déterminer si le dispositif est adapté à l'emploi prévu et si, le cas échéant, il ne présente aucun danger. Comme les applications peuvent différer considérablement les unes des autres, le fabricant ne fait aucune déclaration ni n'accorde aucune garantie quant à l'adéquation de ces appareils à une application donnée.

Numéros d'identification de conformité aux règlements

À des fins de certification et d'identification de conformité aux règlements, votre produit Tripp Lite a reçu un numéro de série unique. Ce numéro se retrouve sur la plaque signalétique du produit, avec les inscriptions et informations d'approbation requises. Lors d'une demande d'information de conformité pour ce produit, utilisez toujours le numéro de série. Il ne doit pas être confondu avec le nom de la marque ou le numéro de modèle du produit.

La politique de Tripp Lite est celle d'une amélioration continue. Les spécifications techniques peuvent être modifiées sans préavis.

