

**WARRANTY  
REGISTRATION**

Register online today for a  
chance to win a FREE Tripp Lite  
product [www.tripplite.com/warranty](http://www.tripplite.com/warranty)



# Owner's Manual

## 12U Wall-Mounted SmartRack™ NEMA12 Enclosure

Model: SRW12USNEMA

### Table of Contents

<b>1. Important Safety Instructions</b>	<b>2</b>	<b>6. Wall Mounting the Enclosure</b>	<b>7</b>
<b>2. Overview</b>	<b>2</b>	<b>6.1 Mounting</b>	<b>7</b>
<b>3. Feature Identification</b>	<b>3</b>	<b>7. Equipment Installation</b>	<b>8</b>
<b>4. Enclosure Installation</b>	<b>4</b>	<b>7.1 Installing or Removing Cage Nuts</b>	<b>8</b>
<b>4.1 Preparation</b>	<b>4</b>	<b>7.2 Alternate Mounting: Tapped Hole Mounting Rail</b>	<b>9</b>
<b>4.2 Unpacking</b>	<b>4</b>	<b>8. Specifications</b>	<b>10</b>
<b>4.3 Placement</b>	<b>4</b>	<b>9. Storage and Service</b>	<b>10</b>
<b>4.4 Ground Connection</b>	<b>4</b>	<b>10. Warranty &amp; Warranty Registration</b>	<b>10</b>
<b>4.5 AC Power Connection</b>	<b>5</b>		
<b>5. Enclosure Configuration</b>	<b>5</b>	<b>Español</b>	<b>11</b>
<b>5.1 Door Locks</b>	<b>5</b>	<b>Francais</b>	<b>21</b>
<b>5.2 Reversing the Enclosure Door</b>	<b>6</b>	<b>Русский</b>	<b>31</b>
<b>5.3 Reversing the Enclosure</b>	<b>6</b>		
<b>5.4 Mounting Rails</b>	<b>7</b>		
<b>5.5 Adjusting Mounting Rail Depth</b>	<b>7</b>		
<b>5.6 Cleaning/Replacing Air Filters</b>	<b>7</b>		



# 1. Important Safety Instructions



## SAVE THESE INSTRUCTIONS

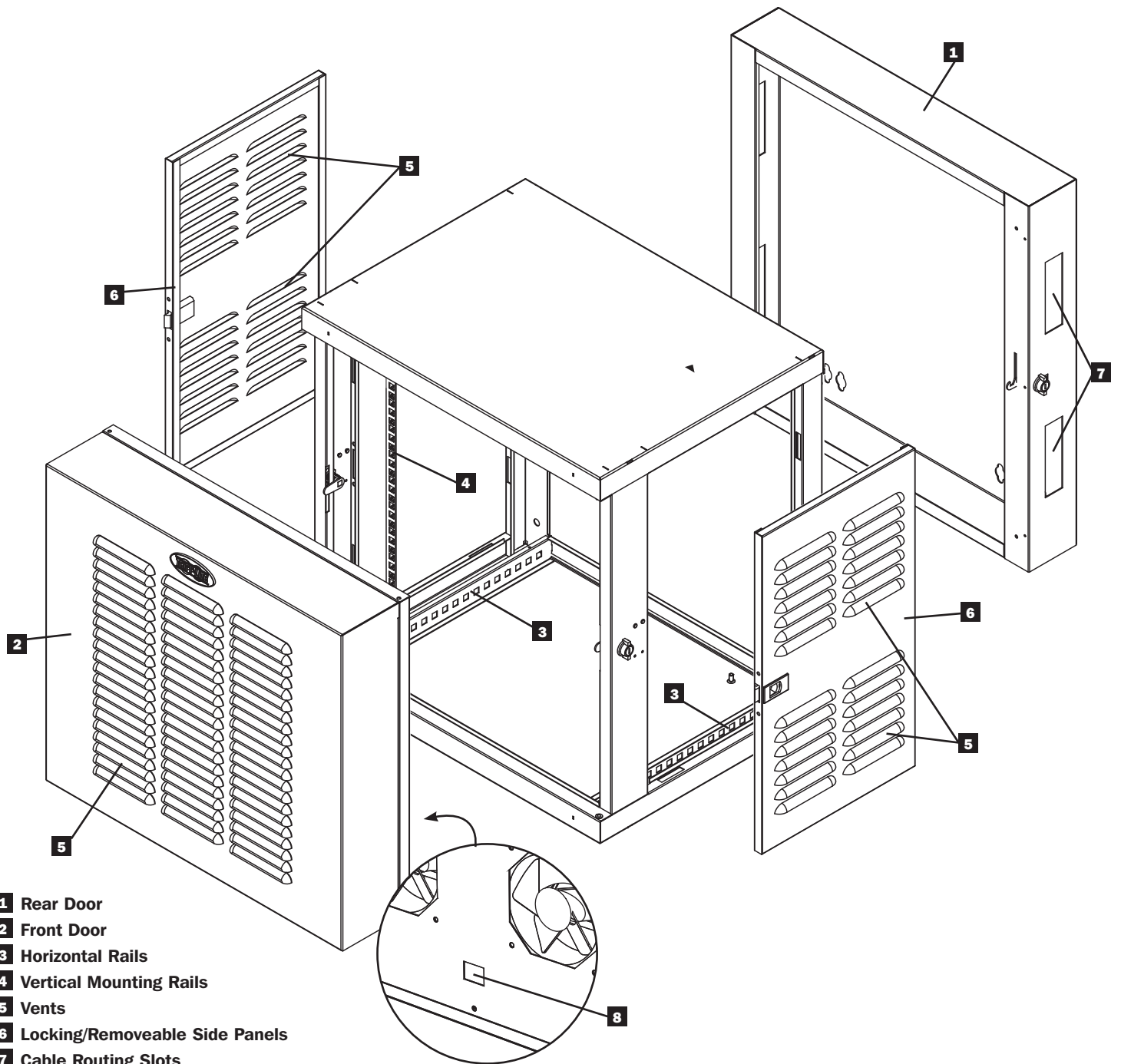
This Manual contains instructions and warnings that must be followed during the installation and operation of the product described in this manual. Failure to comply may invalidate the warranty and cause property damage or personal injury.

- Keep the enclosure in a controlled indoor environment, away from moisture, temperature extremes, flammable liquids and gasses, conductive contaminants, dust and direct sunlight.
- Leave adequate space at the front and rear of the enclosure for proper ventilation. Do not block, cover or insert objects into the external ventilation openings of the enclosure.
- The enclosure is extremely heavy. Use caution when handling the enclosure. Do not attempt to unpack, move or install it unassisted. Use a mechanical device such as a forklift or pallet jack to move the enclosure in the shipping container.
- Do not place any object on the enclosure, especially containers of liquid, and do not attempt to stack the enclosures.
- Inspect the shipping container and the enclosure for shipping damage. Do not use the enclosure if it is damaged.
- Leave the enclosure in the shipping container until it has been moved as close to the final installation location as possible.
- Install the enclosure in a structurally sound area capable of handling the load, or on a level floor that is able to bear the weight of the enclosure, all equipment that will be installed in the enclosure and any other enclosures and/or equipment that will be installed nearby.
- Use caution when cutting packing materials. The enclosure could be scratched, causing damage not covered by the warranty.
- Save all packing materials for later use. Repacking and shipping the enclosure without the original packing materials may cause product damage that will void the warranty.
- Do not reship the enclosure with additional equipment unless the enclosure was shipped with a special shock pallet (“SP1” models only). The combined weight of the enclosure and installed equipment must not exceed the load capacity of the pallet. Tripp Lite is not responsible for any damage that occurs during reshipment.
- Use of this equipment in life support applications where failure of this equipment can reasonably be expected to cause the failure of the life support equipment or to significantly affect its safety or effectiveness is not recommended. Do not use this equipment in the presence of a flammable anesthetic mixture with air, oxygen or nitrous oxide.

## 2. Overview

SmartRack Enclosures accommodate all standard 19-inch rackmount equipment, regardless of vendor, and ship fully assembled for quick and easy deployment.

### 3. Feature Identification



- 1** Rear Door
- 2** Front Door
- 3** Horizontal Rails
- 4** Vertical Mounting Rails
- 5** Vents
- 6** Locking/Removeable Side Panels
- 7** Cable Routing Slots
- 8** AC Input

## 4. Enclosure Installation



**Caution! Read All Instructions and Warnings Before Installation!**



**Warning:** Rack enclosures can be extremely heavy. Do not attempt to unpack, move or install the enclosure without assistance. Use extreme caution when handling the enclosure and be sure to follow all handling and installation instructions. Do not attempt to install equipment without first stabilizing the enclosure.

### 4.1 Preparation

The enclosure must be installed in a structurally sound area that is able to bear the weight of the enclosure, all the equipment that will be installed in the enclosure and any other enclosures and/or equipment that will be installed nearby. Before unpacking the enclosure, you should transport the shipping container closer to the final installation location to minimize the distance you will need to move the unit after the protective packaging has been removed. If you plan to store the enclosure for an extended period before installation, follow the instructions in the **Storage and Service** section.

You need several tools:

- Level
- Phillips-head Screwdriver
- Appropriate tools for wall mounting

You also need the following hardware:

- Appropriate hardware for wall mounting (not included)

### 4.2 Unpacking



**Use at least two people to unpack the enclosure.**



- 1** Move shipping pallet to a firm, level surface.
- 2** Open box and remove the four foam corner protectors. Save all packing materials for later use unless you are certain they will not be required. Packing materials are recyclable.
- 3** With one person on each side, carefully lift the enclosure out of the box and place on a firm, level surface.
- 4** Examine the enclosure for any damage or loose parts. Confirm all parts are present. If anything is missing or damaged, contact Tripp Lite for assistance. Do not attempt to use the enclosure if it has been damaged.

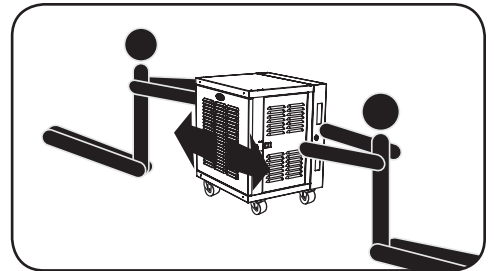


**Never extend more than one component from the enclosure at a time.**



### 4.3 Placement

The enclosure should be moved close to its installation location inside its shipping container before it is unpacked. **Warning:** Do not push or pull the enclosure at the side panels or pull the enclosure toward you. Only experienced equipment operators should attempt to lift the enclosure. Use appropriate equipment and follow all applicable safety procedures and regulations.

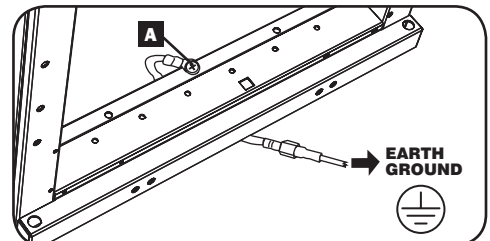


**Warning: Never attempt to lift or install without adequate help. Do not try lifting the enclosure alone.**



### 4.4 Ground Connection

All parts of the enclosure are grounded to the frame of the enclosure. Use the enclosure's front or rear threaded grounding point **A** and an M6 screw (included) to connect the frame of the enclosure directly to your facility's earth ground connection with an 8 AWG (3.264 mm) wire. Route the ground wire under the enclosure's frame to ensure unhindered door operation. **Warning:** Attach each enclosure to earth ground separately. Do not use the enclosure without an earth ground connection.



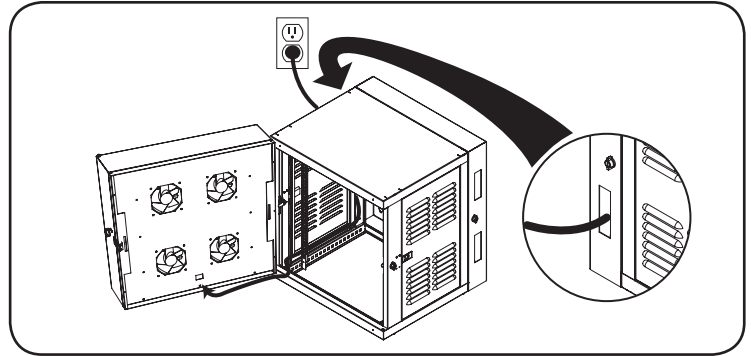
## 4. Enclosure Installation *(continued)*

### 4.5 AC Power Connection

The SRW12USNEMA comes with a panel of 4 fans mounted in the front door. The fans receive power via the included NEMA 5-15 to C13 power cord plugged into the C14 inlet on the bottom of the door. The cord must be properly routed and installed before the unit will be fully functional.

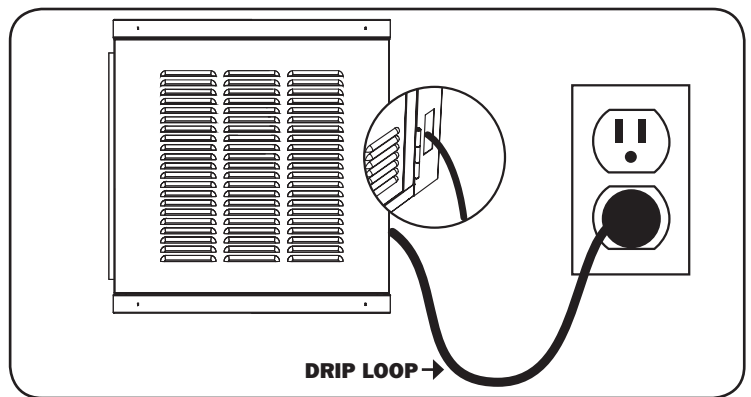
#### Power Cord Routing

To allow the door to swing fully open and for maximum cord length, connect the power cord to the C14 inlet and route along the bottom of the unit on the hinged side of the door. The cord must emerge from the bottom cable routing slot on the side to which the door is hinged.



#### Creating a Drip Loop

For added safety, a drip loop must be implemented in the power cord for proper installation of the SRW12USNEMA. To create a drip loop, make sure that the power cord is routed down from the unit and must rise back up again to the power outlet, forming a loop in the cord that will guide any moisture away from both the outlet and the unit.



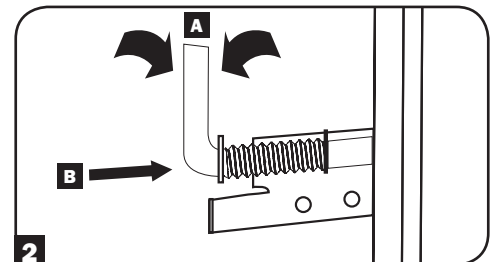
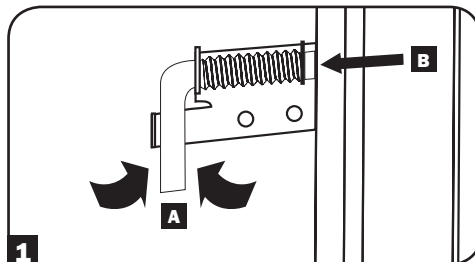
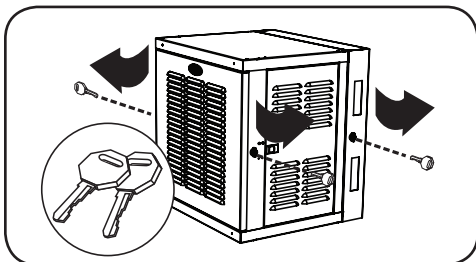
## 5. Enclosure Configuration

Before installation, be sure to plan the location and arrangement of components within the enclosure. Be sure all mounting rails are reversed or adjusted for depth, depending on your equipment configuration. *Note: Always disconnect power input and remove equipment before attempting to reconfigure the enclosure.*

### 5.1 Door Locks

The front and back doors have locks that are accessible by the included keys. Each side panel locks using an L-shaped lever on the inside of the enclosure.

- 1** To unlock and remove the side panels, lift the shorter leg of the "L" up (labeled **A**) and pull it away from the side panel (labeled **B**). Pull the tab on the side panel and remove it from the enclosure.
- 2** To re-lock the side panels, secure it in the proper position, lift the shorter leg of the "L" up (labeled **A**) and push it toward the side panel, back into the hole that it was in initially (labeled **B**). Once it is in place, push the shorter leg of the "L" down to lock it. **Note: To lock and unlock the side panels, you will need to have access to the interior of the enclosure.**

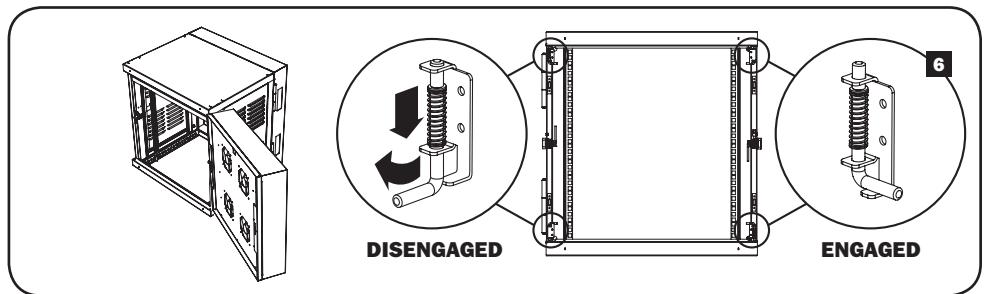
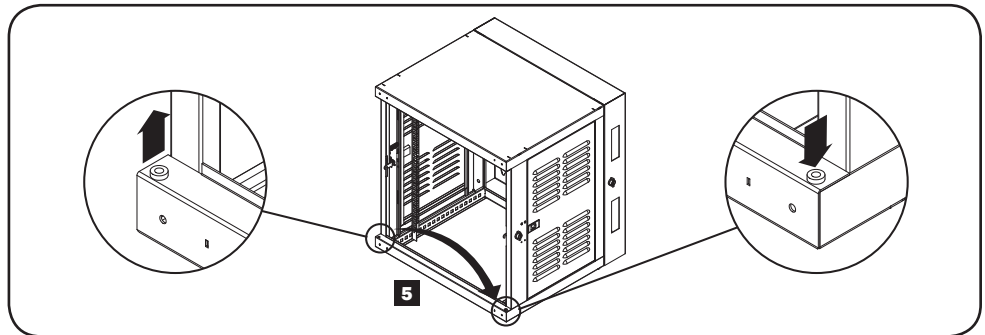
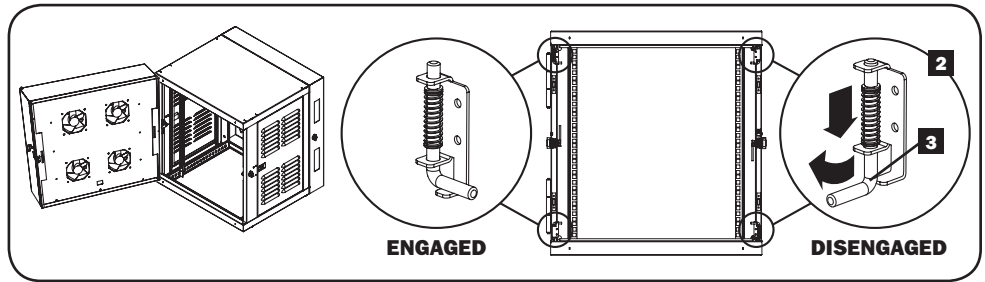


## 5. Enclosure Configuration *(continued)*

### 5.2 Reversing the Enclosure Door

In order to accommodate various rack configurations, the enclosure door can be reversed. The direction in which the door opens is controlled by four L-shaped levers on the inside of the enclosure.

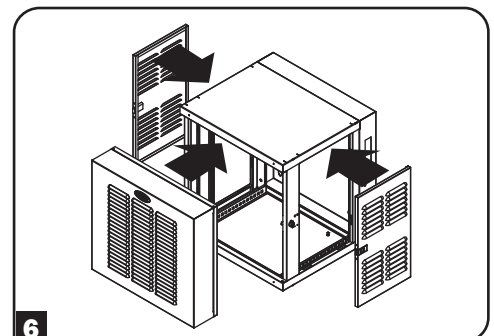
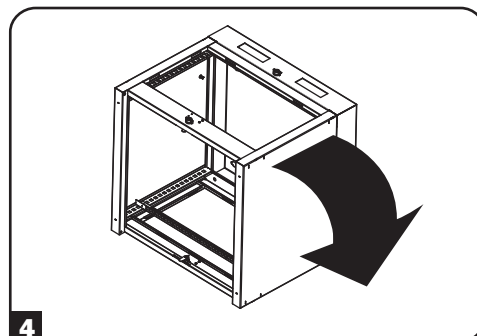
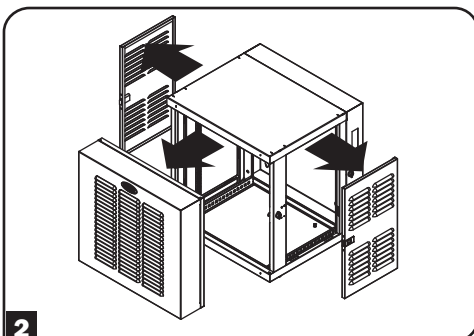
- 1 To access these levers, you must first remove the side panels following the procedures outlined in section 5.1.
- 2 The levers (both top and bottom) on the side from which the door opens must be "DISENGAGED," while the levers (both top and bottom) on the opposite side, the side from which the door swings, must be "ENGAGED."
- 3 Disengage the levers. Levers are "DISENGAGED" when the short side of the "L" lever is removed from its bracket cradle. To remove short side of "L" lever from the bracket cradle, push away from the bracket cradle (either up or down) and rotate (either towards or away from the door) so that the short side of the "L" exits the cradle.
- 4 Remove the door. A metal bushing is located on the bottom lip of the frame, on the side from which the door was swinging.
- 5 Move the bushing from the side on which the door was swinging to the opposite side of the frame and line it up with the hole.
- 6 Line up the door on the opposite side and engage the levers. Levers are "ENGAGED" when the short side of the "L" rests in the bracket cradle. To "ENGAGE", push lever to compress the spring and rotate into the bracket cradle. When engaging the bottom lever, make sure it goes through the bushing.
- 7 Make sure that both top and bottom levers on the side from which you want the door to open are "DISENGAGED" and that both levers on the side from which you want the door to swing are "ENGAGED." Otherwise, door may not function properly and damage may result.



### 5.3 Reversing the Enclosure

In order to accommodate various rack configurations, the entire enclosure can be reversed.

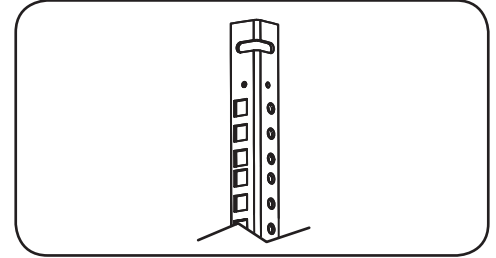
- 1 Remove side panels by following the procedure in section 5.1.
- 2 Remove front door by placing all four "L" levers in "DISENGAGED" positions and pulling it away from the enclosure.
- 3 Remove the metal bushing described in section 5.2.
- 4 Flip the enclosure.
- 5 Replace the metal bushing as explained in section 5.2.
- 6 Reattach front door and side panels.



## 5. Enclosure Configuration *(continued)*

### 5.4 Mounting Rails

The enclosure comes with mounting rails that have both square and tapped holes for mounting rack equipment. To install equipment, use the included cage nuts and other hardware. (See page 7 for installation of cage nuts.) **Warning: Be sure to have the enclosure securely mounted to the wall, or in its final position on the floor before mounting any equipment inside. Also be sure to have all the right adjustments on your rails before mounting equipment. (See below for Adjusting Mounting Rail Depth.)**

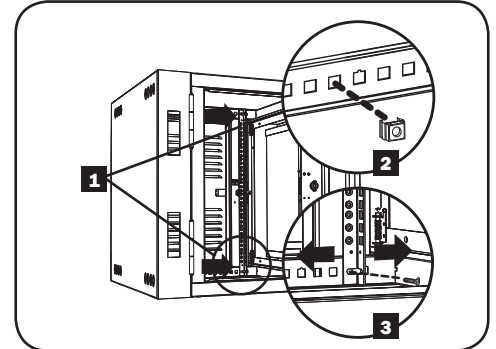


### 5.5 Adjusting Mounting Rail Depth

**Warning: Do not attempt to adjust rails while equipment is installed in the enclosure. Do not attempt to use rails without screws installed. (2 per rail.)**

The 4 mounting rails are pre-installed to accommodate equipment with a mounting depth of 20.5 inches (521 mm). Do not adjust the mounting rails unless your equipment requires a different mounting depth. The front and rear sets of rails can be adjusted independently in 1/4-inch (6mm) increments for mounting depths between 3 inches (76 mm) and 20.5 inches (521 mm).

- 1 Each rail is connected to the enclosure with 2 screws and 2 cage nuts: 1 set in the upper corner and another in the lower corner. Using a Phillips-head screwdriver, remove the screws that fasten the rails to the enclosure.
- 2 Move cage nuts to desired depth and reinstall.
- 3 Slide the mounting rails to the desired depth and reattach them using the screws you removed in Step 1.



### 5.6 Cleaning/Replacing Air Filters

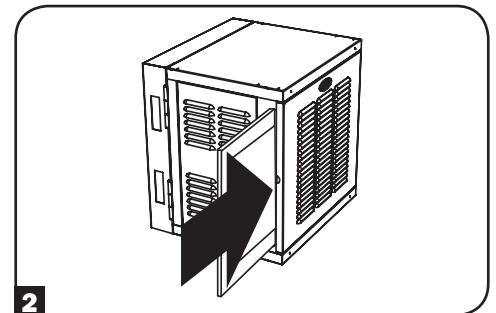
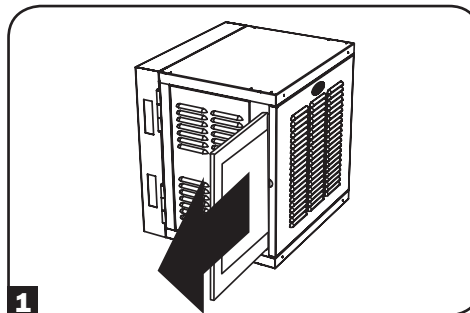
The SRW12USNEMA comes with pre-installed dust filters in the front door. It uses standard 20" x 24" filters that can be found at most home improvement stores. To remove filters for cleaning or replacement:

- 1 Locate filter on left side of the door and gently slide it out away from the unit.

To replace filter:

- 2 Align filter with slot in door and slide in until it reaches the end of its enclosure and you feel resistance.

*Note: Part of the filter remains outside of the door for easy removal.*



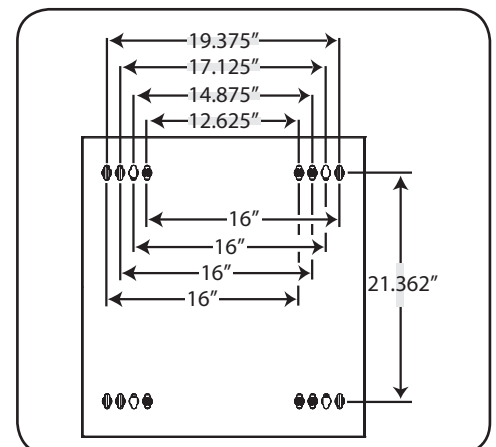
## 6. Wall Mounting the Enclosure

**Warning: Do not attempt to mount the enclosure to the wall with equipment mounted in the enclosure.**

### 6.1 Mounting

There are 16 keyhole cutouts on the back door of the enclosure. Each keyhole can accommodate an M10 or 3/8" bolt. The holes are on centers and beginning with the two innermost holes, the centers are 12.625", 14.875", 17.125" and 19.375" apart, respectively moving outward and horizontally. Holes are then 21.362" apart vertically, as shown in the diagram.

Using a level, measure to position your mounting areas precisely. Use appropriate fasteners (not included) to secure the enclosure to the wall. **Warning: The area you plan to mount the enclosure to must be able to withstand the weight of the enclosure and all mounted equipment. For the weight of the enclosure and its capacity, see the specifications on page 8.**

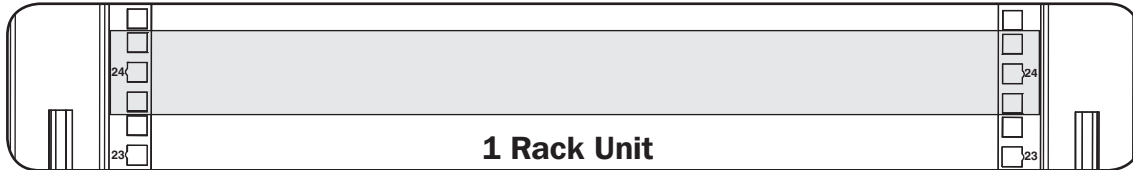


# 7. Equipment Installation

**Warning:** Do not install equipment until you have stabilized the enclosure. Install heavier equipment first and install it towards the bottom of the enclosure. Install equipment starting from the bottom of the enclosure and proceeding toward the top of the enclosure - never the reverse. If using sliding equipment rails, be careful when extending the rails. Do not extend more than one set of sliding equipment rails at one time. Avoid extending sliding equipment rails near the top of the enclosure.

Note: The unit comes with two different kinds of screws for equipment installation, black and silver. Use the black mounting screws if you are securing your equipment to the square hole side of the mounting rail. Use the silver screws if you are securing your equipment to the tapped hole side of the mounting rail.

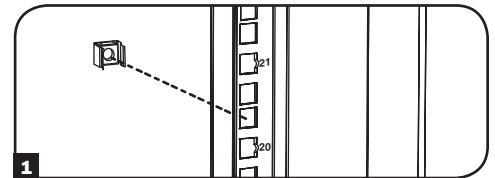
Note: The square holes in the middle of each rack unit are numbered and also include a small notch to aid identification. A single rack unit includes the space occupied by the numbered hole and the holes directly above and below.



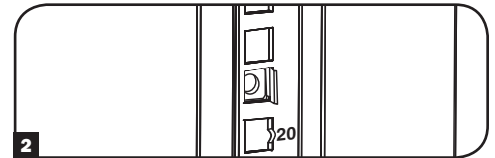
## 7.1 Installing or Removing Cage Nuts

**WARNING:** The flanges of the cage nuts should engage the sides of the square opening in the rail, not the top and bottom. Follow the instructions in your equipment documentation to ensure proper installation of your equipment.

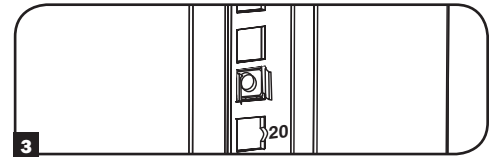
**1** Locate the numbered square openings in the mounting rails where you plan to install your equipment. You will install cage nuts (included) into the square openings in order to provide an attachment point for the mounting screws (included). Note: Consult your equipment documentation to determine how many cage nuts will be required and where they will need to be installed.



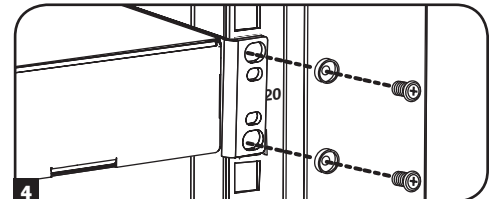
**2** From the inside of the mounting rail, insert one of the flanges of the cage nut through the square opening. Press it against the side of the square opening. Each flange should engage one side of the square opening, not the top or bottom.



**3** Compress the cage nut at the sides slightly to allow the remaining flange to fit through the square opening. When the cage nut is properly installed, both flanges will protrude through the square opening and will be visible on the outer surface of the mounting rail. Repeat steps 1-3 until all required cage nuts are installed.



**4** After installing the required cage nuts, use the included black mounting screws and cup washers to secure your equipment to the rack rail. Place the cup washers between the screws and the equipment mounting brackets.



Note: Your equipment may also include mounting hardware. Read the mounting instructions that came with your equipment before installing your equipment.

### To Remove Cage Nuts, Reverse Steps 1-3

Note: You may wish to use a cage nut tool (user-supplied) to aid cage nut installation and removal.



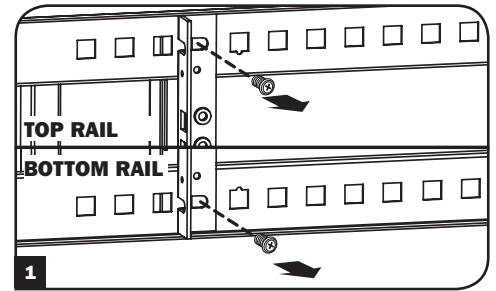
# 7. Equipment Installation *(continued)*

## 7.2 Alternate Mounting: Tapped Hole Mounting Rail

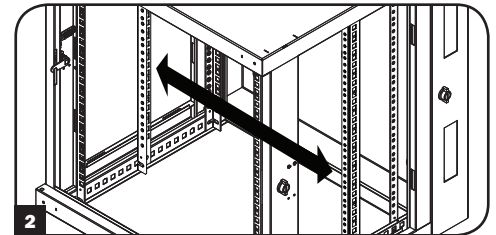
**Warning:** Do not attempt to adjust rails while equipment is installed in the enclosure. Do not attempt to use rails without screws installed. (2 per rail.)

The mounting rails are pre-installed for securing equipment using the square hole side of the mounting rail. To switch to the tapped hole side of the mounting rail, follow the steps below:

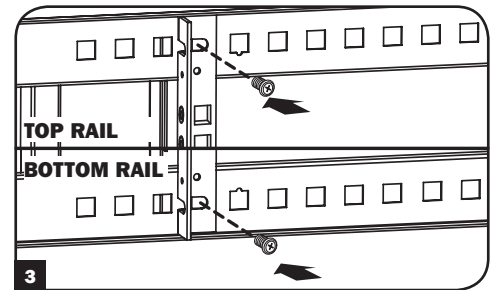
**1** Each rail is connected to the enclosure with 2 screws: 1 in the upper corner and another in the lower corner. Using a Phillips-head screwdriver, remove the screws that fasten the rails to the enclosure.



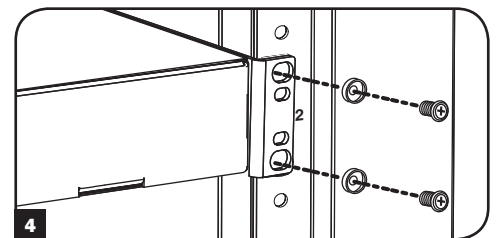
**2** Switch the rail locations. Ensure the tapped hole side of each rail is facing the front door.



**3** Reattach the mounting rails.



**4** Use the included silver mounting screws to secure your equipment to the rack rail. Place the cup washers between the screws and the equipment mounting brackets.



*Note:* Your equipment may also include mounting hardware. Read the mounting instructions that came with your equipment before installing your equipment.

## 8. Specifications

Model	SRW12USNEMA
Dimensions (H x W x D)	25 x 23.63 x 21.6" (635 x 600 x 549 mm)
Unit Weight	60 lb (27 kg)
Load Capacity*	200 lb (90 kg) Stationary
Mounting Depth (Adjustable)	3" to 20.5" (76 to 521 mm)

\* Full wall-mount load capacity requires a mounting surface capable of bearing the full load. Rolling applications require optional SRCASTER accessory kit.

## 9. Storage and Service

### Storage

The enclosure should be stored in a controlled indoor environment, away from moisture, temperature extremes, flammable liquids and gasses, conductive contaminants, dust and direct sunlight. Store the enclosure in its original shipping container if possible.

### Service

Your Tripp Lite product is covered by the warranty described in this manual. A variety of Extended Warranty and On-Site Service Programs are also available from Tripp Lite. For more information on service, visit [www.tripplite.com/support](http://www.tripplite.com/support). Before returning your product for service, follow these steps:

1. Review the installation and operation procedures in this manual to insure that the service problem does not originate from a misreading of the instructions.
2. If the problem continues, do not contact or return the product to the dealer. Instead, visit [www.tripplite.com/support](http://www.tripplite.com/support).
3. If the problem requires service, visit [www.tripplite.com/support](http://www.tripplite.com/support) and click the Product Returns link. From here you can request a Returned Material Authorization (RMA) number, which is required for service. This simple on-line form will ask for your unit's model and serial numbers, along with other general purchaser information. The RMA number, along with shipping instructions will be emailed to you. Any damages (direct, indirect, special or consequential) to the product incurred during shipment to Tripp Lite or an authorized Tripp Lite service center is not covered under warranty. Products shipped to Tripp Lite or an authorized Tripp Lite service center must have transportation charges prepaid. Mark the RMA number on the outside of the package. If the product is within its warranty period, enclose a copy of your sales receipt. Return the product for service using an insured carrier to the address given to you when you request the RMA.

## 10. Warranty and Warranty Registration

### 5-Year Limited Warranty

Seller warrants this product, if used in accordance with all applicable instructions, to be free from original defects in material and workmanship for a period of 5 years from the date of initial purchase. If the product should prove defective in material or workmanship within that period, Seller will repair or replace the product, at its sole discretion.

THIS WARRANTY DOES NOT APPLY TO NORMAL WEAR OR TO DAMAGE RESULTING FROM ACCIDENT, MISUSE, ABUSE OR NEGLIGENCE. SELLER MAKES NO EXPRESS WARRANTIES OTHER THAN THE WARRANTY EXPRESSLY SET FORTH HEREIN. EXCEPT TO THE EXTENT PROHIBITED BY APPLICABLE LAW, ALL IMPLIED WARRANTIES, INCLUDING ALL WARRANTIES OF MERCHANTABILITY OR FITNESS, ARE LIMITED IN DURATION TO THE WARRANTY PERIOD SET FORTH ABOVE; AND THIS WARRANTY EXPRESSLY EXCLUDES ALL INCIDENTAL AND CONSEQUENTIAL DAMAGES. (Some states do not allow limitations on how long an implied warranty lasts, and some states do not allow the exclusion or limitation of incidental or consequential damages, so the above limitations or exclusions may not apply to you. This warranty gives you specific legal rights, and you may have other rights which vary from jurisdiction to jurisdiction).

WARNING: The individual user should take care to determine prior to use whether this device is suitable, adequate or safe for the use intended. Since individual applications are subject to great variation, the manufacturer makes no representation or warranty as to the suitability or fitness of these devices for any specific application.

### Warranty Registration

Visit [www.tripplite.com/warranty](http://www.tripplite.com/warranty) today to register the warranty for your new Tripp Lite product. You'll be automatically entered into a drawing for a chance to win a FREE Tripp Lite product!\*

\* No purchase necessary. Void where prohibited. Some restrictions apply. See website for details.

Tripp Lite has a policy of continuous improvement. Specifications are subject to change without notice.



# Manual del propietario

## Gabinete de 12U SmartRack para instalación en la pared, NEMA 12

Modelo: SRW12USNEMA

### Índice

<b>1. Instrucciones de seguridad importantes</b>	<b>12</b>	<b>6. Montaje del rack a la pared</b>	<b>17</b>
<b>2. Descripción general</b>	<b>12</b>	6.1 Montaje	17
<b>3. Identificación de características</b>	<b>13</b>	<b>7. Instalación del equipo</b>	<b>18</b>
<b>4. Instalación del rack</b>	<b>14</b>	7.1 Instalación o extracción de las tuercas en jaula	18
4.1 Preparación	14	7.2 Instalación Alternativa: Riel de Instalación con Orificio Roscado	19
4.2 Desembalaje	14	<b>8. Especificaciones</b>	<b>20</b>
4.3 Colocación	14	<b>9. Almacenamiento y Servicio</b>	<b>20</b>
4.4 Conexión a tierra	14	<b>10. Garantía</b>	<b>20</b>
4.5 Conexión de Alimentación de CA	15	<b>English</b>	<b>1</b>
<b>5. Configuración del rack</b>	<b>15</b>	<b>Francais</b>	<b>21</b>
5.1 Cerraduras de las puertas	15	<b>Русский</b>	<b>31</b>
5.2 Inversión de la Puerta del Gabinete	16		
5.3 Inversión del Gabinete	16		
5.4 Rieles de montaje	17		
5.5 Ajuste de la profundidad del riel de montaje	17		
5.6 Limpieza/Reemplazo de los Filtros de Aire	17		



1111 W. 35th Street, Chicago, IL 60609 USA • [www.tripplite.com/support](http://www.tripplite.com/support)

Copyright © 2012 Tripp Lite. Todas las otras marcas registradas son propiedad de sus respectivos dueños.

# 1. Instrucciones de seguridad importantes



## GUARDE ESTAS INSTRUCCIONES

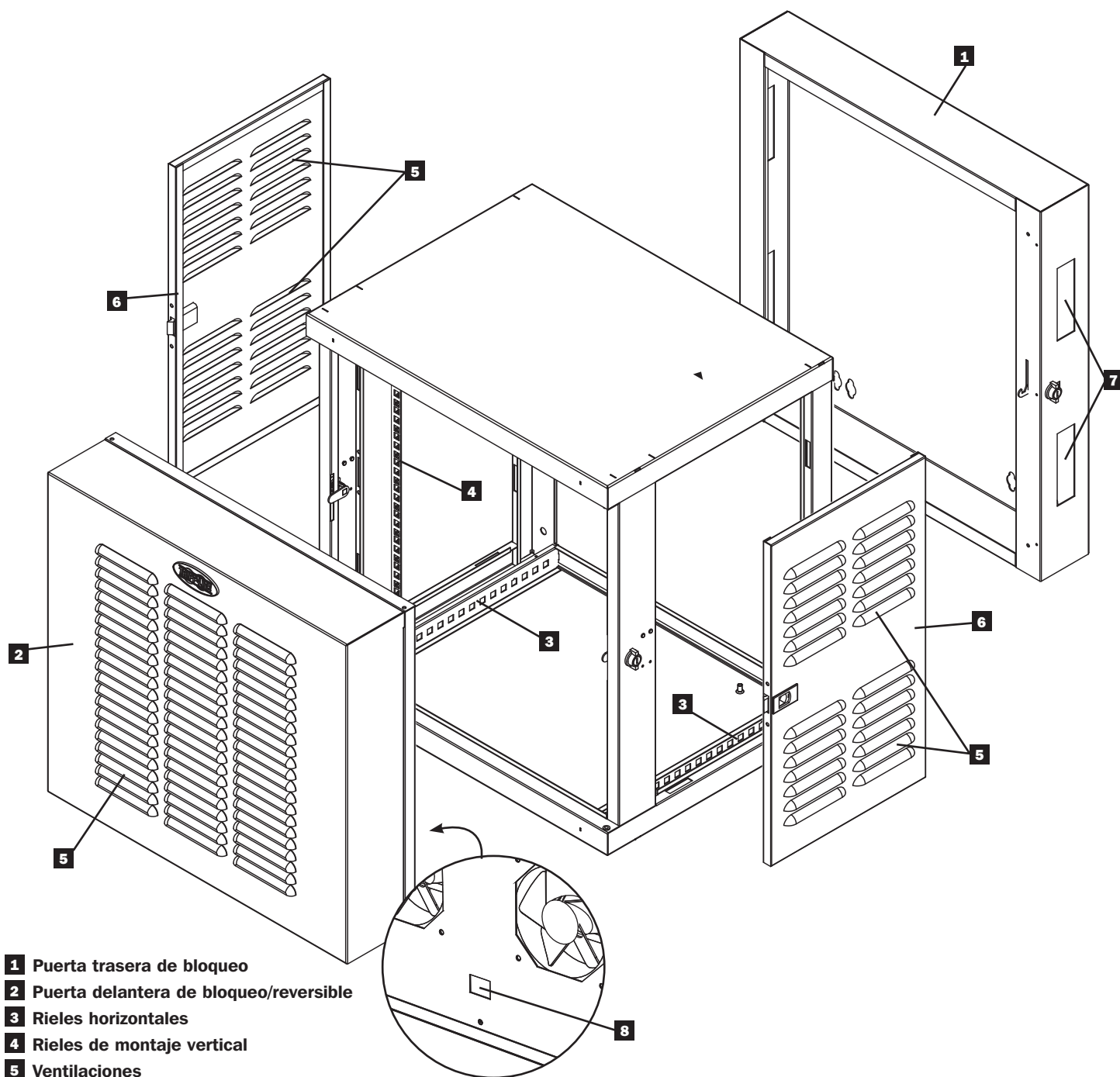
Este manual contiene instrucciones y advertencias que deben seguirse durante la instalación y operación del producto descrito en este manual. El incumplimiento invalidará la garantía, pudiendo causar serios daños a la propiedad y/o lesiones personales.

- Mantenga el rack en un ambiente interior controlado, lejos de la humedad, temperaturas extremas, líquidos y gases inflamables, contaminantes conductores, el polvo y la luz directa del sol.
- Deje espacio suficiente en el frente y la parte trasera del rack para una ventilación adecuada. No bloquee, cubra ni inserte objetos en las aberturas de ventilación externa del rack.
- El rack es extremadamente pesado. Manipúlelo con precaución. No intente desembalarlo, moverlo ni instalarlo sin ayuda. Utilice un dispositivo mecánico como una horquilla elevadora o un gato para palets para moverlo en el contenedor de envío.
- No coloque ningún objeto sobre el rack, especialmente contenedores de líquido, y no intente apilar los racks.
- Inspeccione el contenedor de envío y el rack para detectar daños producidos durante el transporte. No lo use si está dañado.
- Deje el rack en el contenedor de envío hasta que se lo haya movido lo más cerca posible del lugar de instalación.
- Instale el rack en un área estructuralmente sana, capaz de soportar la carga, o con piso nivelado capaz de soportar el peso del rack, de todos los equipos que se instalarán en el rack y de cualquier otro rack y/o equipo que se instalarán cerca.
- Corte el material de embalaje con precaución. El rack podría rayarse causando daños que no están cubiertos por la garantía.
- Guarde los materiales de embalaje para utilizarlos en el futuro. Si el rack se vuelve a embalar y a enviar sin los materiales de embalaje originales, se pueden causar daños que anularán la garantía.
- No vuelva a enviar el rack con equipos adicionales, a menos que haya sido enviado con un pálet especial contra golpes (sólo los modelos "SP1"). El peso combinado del rack y de los equipos instalados no debe exceder la capacidad de carga del pálet. Tripp Lite no se responsabiliza por ningún daño que se produzca durante el reenvío.
- No se recomienda el uso de este equipo en aplicaciones de mantenimiento artificial de la vida, donde se puede esperar razonablemente que su falla cause la falla del equipo de mantenimiento de la vida o que afecte de manera importante su seguridad o eficiencia. No use este equipo en presencia de mezclas anestésicas inflamables con aire, oxígeno u óxido nitroso.

## 2. Descripción general

Los racks SmartRack sirven para colocar cualquier equipo estándar para montar en rack de 19 pulgadas, independientemente del proveedor, y se envían completamente ensamblados para una implementación rápida y fácil.

### 3. Identificación de características



- 1** Puerta trasera de bloqueo
- 2** Puerta delantera de bloqueo/reversible
- 3** Rieles horizontales
- 4** Rieles de montaje vertical
- 5** Ventilaciones
- 6** Paneles laterales fijos/removibles
- 7** Ranuras para el Tendido de Cables
- 8** Entrada de CA

## 4. Instalación del rack



**Precaución. Lea todas las instrucciones y advertencias antes de la instalación.**



**Advertencia:** Los racks pueden ser extremadamente pesados. No intente desembalarlo, moverlo ni instalarlo sin ayuda. Use máxima precaución al manipularlo y asegúrese de seguir todas las instrucciones de manipulación e instalación. No intente instalar equipos sin estabilizar primero el rack.

### 4.1 Preparación

El rack se debe instalar en una zona estructuralmente sana que pueda soportar su peso, el de todos los equipos que se instalarán en él y cualquier otro rack y/o equipos que se instalarán cerca. Antes de desembalar el rack, debería transportar el contenedor de envío lo más cerca posible de la ubicación de instalación final para minimizar la distancia que necesitará para moverlo después de quitarle el embalaje protector. Si planea almacenarlo durante un período prolongado antes de instalarlo, siga las instrucciones de la sección **Almacenamiento y servicio**.

Necesitará algunas herramientas:

- Nivel
- Destornillador Philips
- Herramientas adecuadas para el montaje en la pared

También necesita las siguientes herramientas:

- Herramientas adecuadas para el montaje en pared (no se incluyen)

### 4.2 Desembalaje



**Para desempacar el gabinete, utilice al menos dos personas.**



- 1** Mueva del pálet de envío hacia una superficie firme y nivelada.
- 2** Extraiga los protectores y guarde todos los materiales de embalaje para uso futuro, a menos que esté seguro de que no serán necesarios. Los materiales de embalaje son reciclables.
- 3** Con una persona de cada lado, eleve el rack con cuidado hacia fuera del pálet y colóquelo en una superficie firme y nivelada.
- 4** Examine el rack para detectar daños o partes sueltas. Confirme que estén todas las partes. Si algo falta o está dañado, comuníquese con Tripp Lite para obtener ayuda. No use el rack si está dañado.

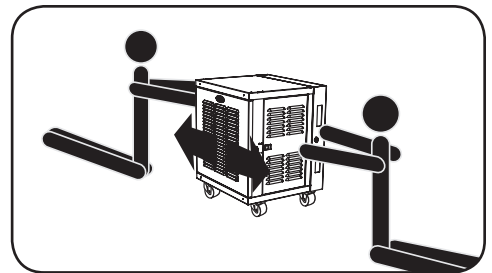


**Nunca extienda más de un componente del gabinete por vez.**



### 4.3 Colocación

Antes de desembalarlo, el rack se debe mover hasta cerca del sitio de instalación dentro de su contenedor de envío. **Advertencia: No empuje ni jale el gabinete por los paneles laterales ni lo jale hacia usted. Sólo operadores de equipos experimentados deben intentar levantar el gabinete. Use los equipos adecuados y siga todos los procedimientos y reglamentaciones de seguridad correspondientes.**

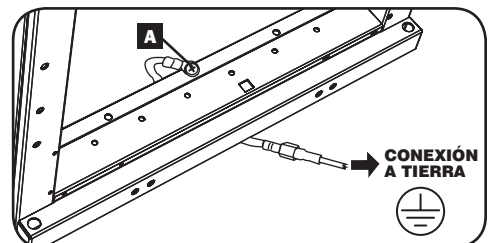


**Advertencia: Nunca intente elevar o instalar el rack sin la ayuda adecuada. No intente elevar el rack usted solo.**



### 4.4 Conexión a tierra

Todas las partes del rack se deben conectar a tierra al marco del rack. Use el punto roscado de conexión a tierra del frente o de la parte trasera del gabinete **A** y un tornillo M6 (incluido) para conectar el marco del gabinete directamente a la conexión a tierra de su planta con un cable calibre 8 AWG (3.264 mm). Guíe el cable de conexión a tierra por debajo del marco del gabinete para asegurar que las puertas funcionen libremente. **Advertencia: Conecte cada rack a tierra por separado. No use el rack sin una conexión a tierra.**



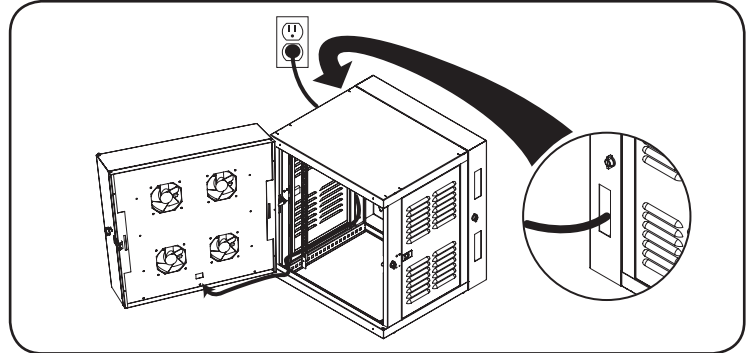
## 4. Instalación del rack (continuación)

### 4.5 Conexión de Alimentación de CA

El SRW12USNEMA viene con un panel de 4 ventiladores instalado en la puerta frontal. Los ventiladores reciben energía mediante el cable incluido NEMA 5-15 a C13 enchufado en el tomacorriente C14 en la parte inferior de la puerta. El cable debe tenderse e instalarse apropiadamente antes de que la unidad esté completamente funcional.

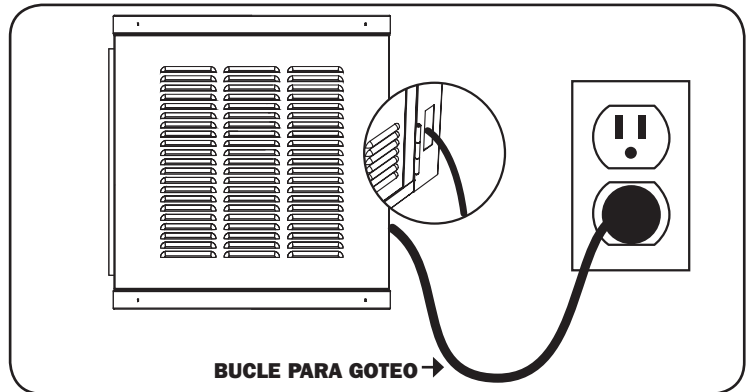
#### Tendido del Cable de Alimentación

Para permitir que la puerta abra completamente y para máxima longitud del cable, conecte el cable de alimentación en la entrada C14 y y condúzcalo a lo largo de la parte inferior de la unidad, en el lado abisagrado de la puerta. El cable debe salir de la ranura para el tendido de cables en la parte inferior, en el lado en que la puerta está abisagrada.



#### Creación de un Bucle para Goteo

Para tener una seguridad aumentada, debe implementarse un bucle para goteo en el cable de alimentación para la instalación apropiada del SRW12USNEMA. Para crear un bucle, cerciórese de que el cable de alimentación esté conducido hacia abajo desde la unidad y debe levantarse nuevamente hacia el tomacorriente de alimentación, formando un bucle en el cable que sacará cualquier humedad del tomacorriente y de la unidad.



## 5. Configuración del rack

Antes de la instalación, asegúrese de planificar la ubicación y distribución de los componentes dentro del gabinete. Asegúrese de que todos los rieles de instalación estén al revés o ajustados según la profundidad, de acuerdo a la configuración del equipo. *Nota: Desconecte siempre la alimentación de energía y retire el equipo antes de intentar reconfigurar el gabinete.*

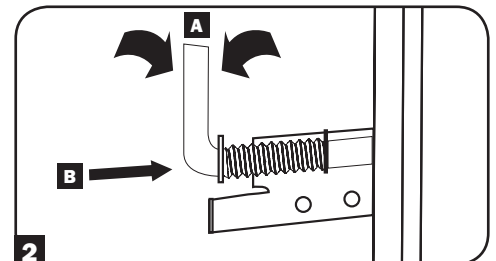
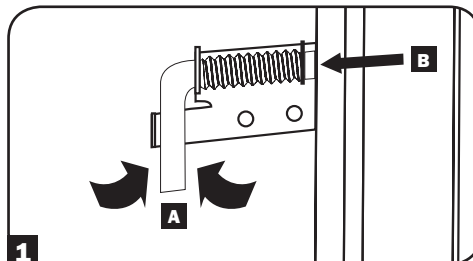
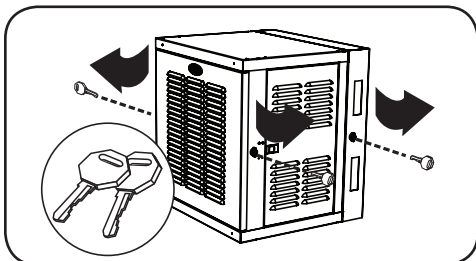
### 5.1 Cerraduras de las puertas

Las puertas delantera y trasera tienen cerraduras accesibles con las llaves incluidas.

Cada panel lateral se asegura usando una palanca en "L" en el interior del gabinete.

**1** Para desbloquear y desmontar los paneles laterales, levante la pata corta de la "L" (etiquetada **A**) y jale hacia afuera desde el panel lateral (etiquetado **B**). Jale la trabilla en el panel lateral y desmóntelo del gabinete.

**2** Para reasegurar los paneles laterales, asegúrelos en su posición correcta, levante la pata corta de la "L" (etiquetada **A**) y oprímala hacia el panel lateral, de nuevo al orificio donde estaba inicialmente (etiquetado **B**). Una vez en su sitio, oprima hacia abajo la pata corta de la "L" para asegurarla. *Nota: Para asegurar y desbloquear los paneles laterales, usted necesita tener acceso al interior del gabinete.*



## 5. Configuración del rack (continuación)

### 5.2 Inversión de la Puerta del Gabinete

A fin de acomodar diversas configuraciones de rack, puede invertirse la puerta del gabinete. La dirección de apertura de la puerta es controlada por cuatro palancas de perfil "L" en el interior del gabinete.

**1** Para acceder a estas palancas, debe retirar primero los paneles laterales siguiendo los procedimientos detallados en la sección 5.1.

**2** Las palancas (superior e inferior) en el costado donde se abre la puerta deben estar "DESACOPLADAS", mientras que las palancas (superior e inferior) en el lado opuesto, el lado en donde gira la puerta, deben estar "ACOPLADOS".

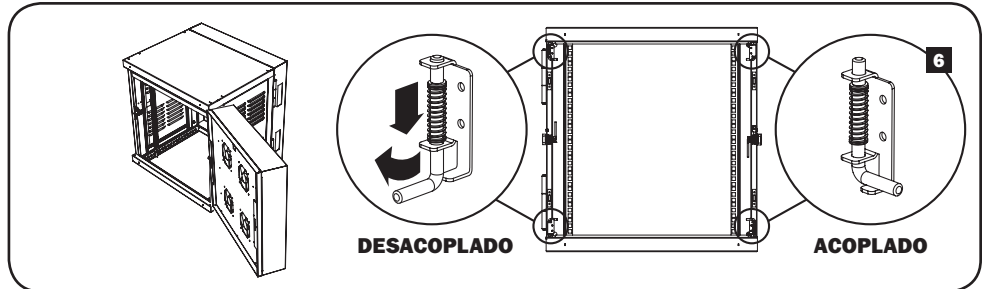
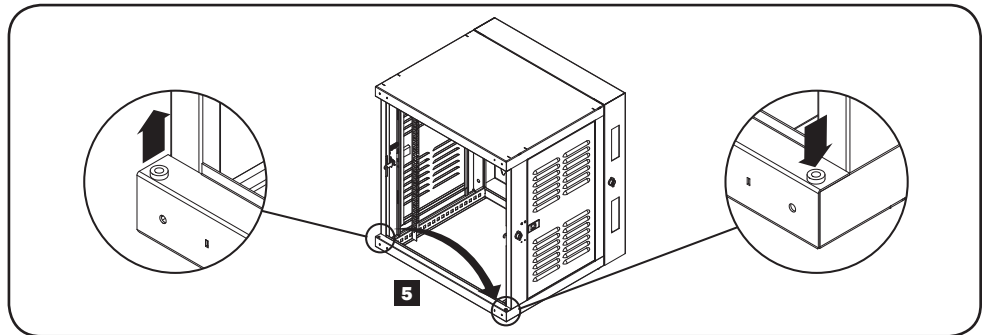
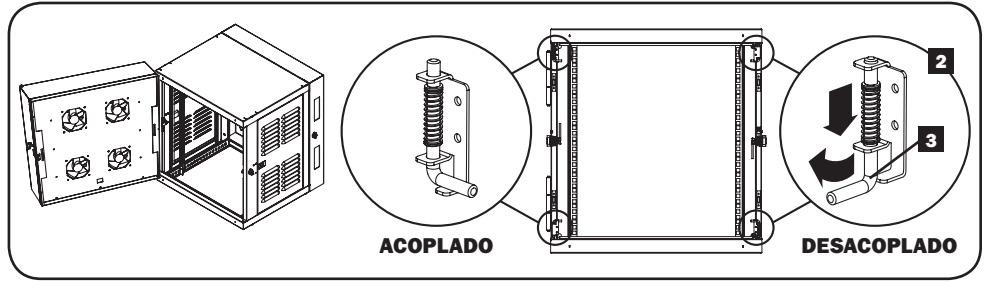
**3** Desacople las palancas. Las palancas están "DESACOPLADAS" cuando el lado corto de la palanca en "L" es removido de su cuneta de apoyo. Para retirar el lado corto de la palanca en "L", empujela fuera de la cuneta de apoyo (hacia arriba o hacia abajo) y gírela (hacia adentro o afuera de la puerta) de modo que el lado corto de la "L" salga de la cuneta.

**4** Retire la puerta. Un buje metálico está localizado en la parte inferior del marco, en el lado en que la puerta giraba.

**5** Mueva el buje del lado en que la puerta giraba hacia el lado opuesto del marco y alíneelo con el orificio.

**6** Alinee la puerta en el lado opuesto y acople las palancas. Las palancas están "Acopladas" cuando el lado corto de la "L" descansa en la cuneta de apoyo. Para "ACOPLAR", oprima la palanca para comprimir el resorte y gírela hacia la cuneta de apoyo. Al acoplar la palanca inferior, cerciórese que pase a través del buje.

**7** Cerciórese que las palancas superior e inferior en el lado en que desea que la puerta abra estén "DESACOPLADAS" y que ambas palancas en el lado en que desea que la puerta gire estén "ACOPLADAS". De lo contrario, la puerta puede no funcionar correctamente y puede ocurrir un daño.



### 5.3 Inversión del Gabinete

A fin de acomodar diversas configuraciones de rack, puede invertirse el gabinete completo.

**1** Desmonte los paneles laterales siguiendo el procedimiento en la sección 5.1.

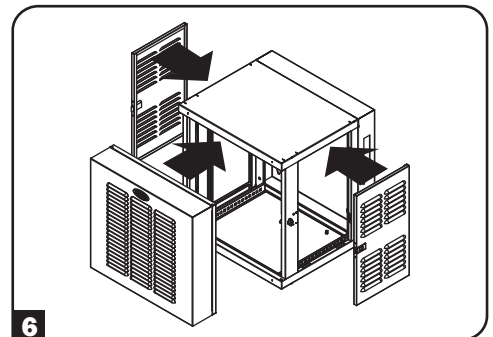
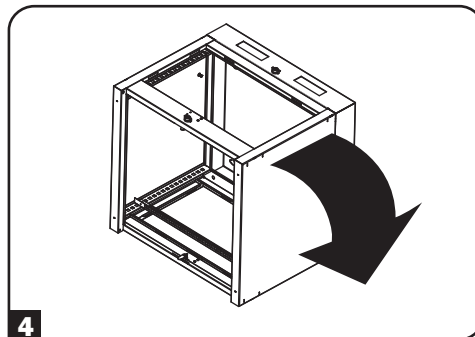
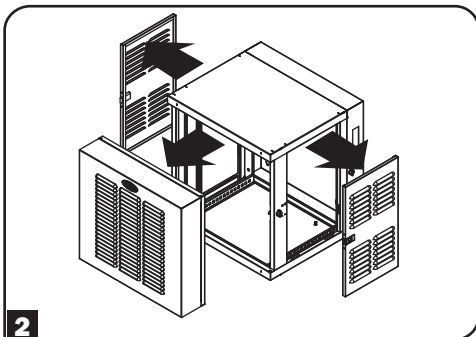
**2** Desmonte la puerta delantera colocando las cuatro palancas "L" en la posición "DESACOPLADO" y jalándola hacia afuera del gabinete.

**3** Retire el buje metálico descrito en la sección 5.2

**4** Pliegue el gabinete

**5** Reemplace el buje metálico como se explicó en la sección 5.2

**6** Reinserte la puerta frontal y los paneles laterales.



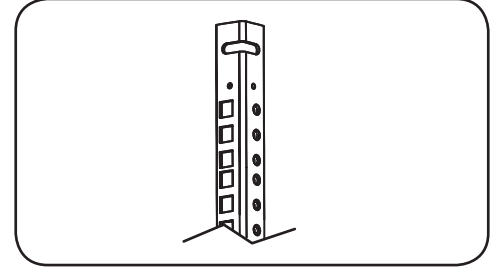


## 5. Configuración del rack (continuación)

### 5.4 Rieles de montaje

El gabinete viene con rieles de instalación que tienen orificios cuadrados y orificios roscados para equipo de instalación en rack. Para instalar los equipos, utilice las tuercas de jaula y las otras herramientas incluidas. (Consulte la página 15 para ver la instalación de las tuercas de jaula).

**Advertencia: Asegúrese de que el rack quede montado firmemente a la pared, o en su posición final en el piso antes de montar cualquier equipo en el interior. Asegúrese también de realizar todos los ajustes adecuados de rieles antes de montar los equipos. (Consulte la sección siguiente para ver el Ajuste de la profundidad del riel de montaje).**

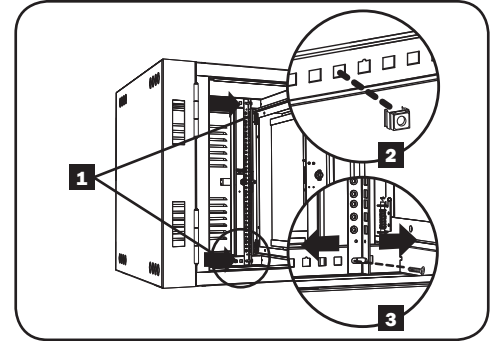


### 5.5 Ajuste de la profundidad del riel de montaje

**Advertencia: No intente ajustar los rieles mientras los equipos están instalados en el rack. No intente utilizar rieles sin tornillos instalados. (2 por riel).**

Los 4 rieles de montaje están preinstalados para acomodar los equipos con una profundidad de montaje de 20,5 pulgadas (521 mm). No ajuste los rieles de montaje a menos que los equipos requieran una profundidad de montaje distinta. Los conjuntos de rieles frontales y traseros pueden ajustarse en forma independiente para montaje equipos con profundidades de montaje de montaje de entre 3 pulgadas (76 mm) y 20,5 pulgadas (521 mm).

- 1 Cada riel está conectado al gabinete con 2 tornillos y 2 tuercas de fijación: 1 juego en la esquina superior y otro en la esquina inferior. Usando un desatornillador Phillips, retire los tornillos que sujetan los rieles al gabinete.
- 2 Mueva las tuercas de fijación a la profundidad deseada y reinstale.
- 3 Deslice los rieles de montaje hasta la profundidad deseada y vuelva a unirlos mediante los tornillos que extrajo anteriormente en el Paso 1.



### 5.6 Limpieza/Reemplazo de los Filtros de Aire

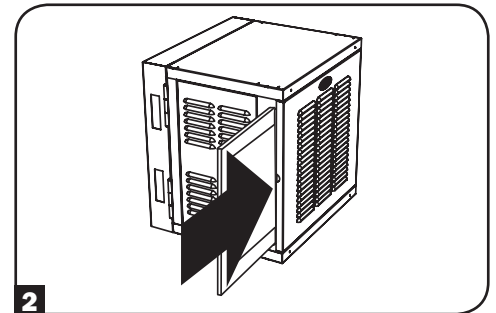
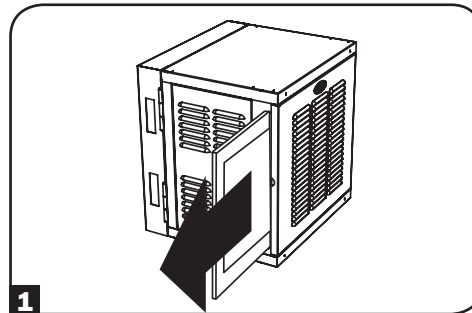
El SRW12USNEMA viene con filtros para polvo preinstalados en la puerta frontal. Use filtros estándar de 20" x 24" que pueden encontrarse en la mayoría de tiendas de mejora de casas. Para desmontar los filtros para limpieza o reemplazo:

- 1 Coloque el filtro en el lado izquierdo de la puerta y deslícelo suavemente hacia afuera de la unidad.

**Para reemplazar el filtro:**

- 2 Alinee el filtro con la ranura en la puerta y deslícelo hasta que llegue al final de su alojamiento y sienta resistencia.

*Nota: Parte del filtro permanece fuera de a puerta para su fácil desmontaje.*



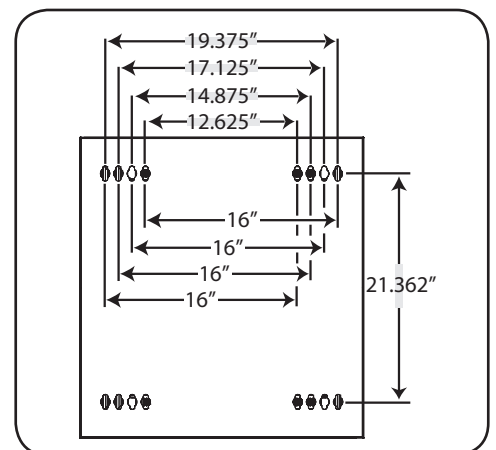
## 6. Montaje del rack a la pared

**Advertencia: No intente montar el rack en la pared con equipos montados en el rack.**

### 6.1 Montaje

Existen 16 orificios perforados en la parte trasera del gabinete. Cada orificio está adaptado para insertar un tornillo M10 ó de 3/8". Los orificios están en los centros e inician con los dos orificios más internos, los centros están separados a 12.625", 14.875", 17.125" y 19.375" entre sí, desplazándose respectivamente hacia afuera y horizontalmente. Los orificios están separados verticalmente a 21.362" (542.6 mm), como se muestra en el diagrama.

Utilizando un nivel, mida la posición de las áreas de montaje en forma precisa. Utilice pasadores adecuados (no incluidos) para asegurar el rack a la pared. **Advertencia: Las herramientas que planea utilizar y el área en donde planea montar el rack deben poder soportar el peso del rack y de todos los equipos montados. Para ver el peso del rack y su capacidad, consulte las Especificaciones en la página 16.**

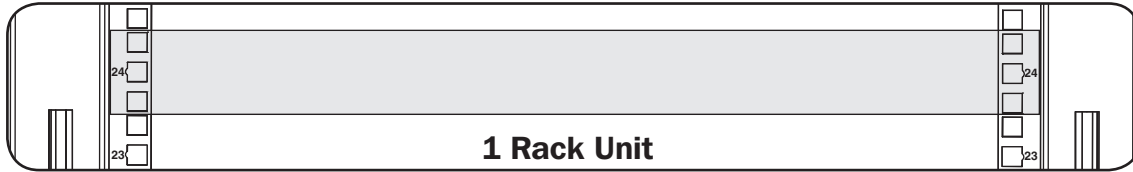


# 7. Instalación del equipo

**Advertencia:** No instale equipos hasta que haya estabilizado el rack. Instale primero los equipos más pesados en la parte inferior del rack. Instálelos de abajo hacia arriba, nunca en sentido contrario. Si usa rieles para equipos deslizantes, tenga cuidado al extender los rieles. No extienda más de un juego de rieles por vez. Evite extender rieles de equipos deslizantes cerca de la parte superior del rack.

*Nota:* La unidad viene con dos diferentes clases de tornillos para la instalación del equipo, negros y plateados. Use los tornillos de instalación negros si está sujetando su equipo al lado del orificio cuadrado del riel de instalación. Use los tornillos plateados si está sujetando su equipo al lado del orificio roscado del riel de instalación.

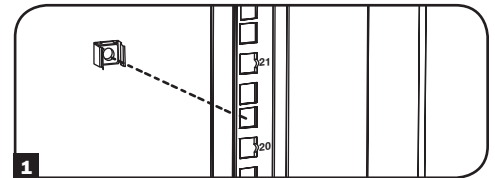
*Nota:* Los orificios cuadrados en el centro de cada unidad del rack están numerados y también incluyen una pequeña muesca para identificarlos. Una sola unidad de rack incluye el espacio ocupado por el orificio numerado y los orificios ubicados directamente encima y debajo.



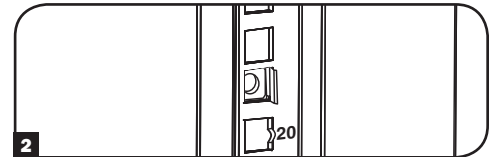
## 7.1 Instalación o extracción de las tuercas de jaula

**ADVERTENCIA:** Las bridas de las tuercas en jaula deben engancharse en los lados de la abertura cuadrada del riel, no en la parte superior o inferior. Siga las instrucciones de la documentación de sus equipos para instalarlos correctamente.

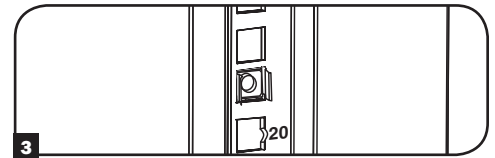
**1** Ubique las aberturas cuadradas numeradas en los rieles de montaje en donde planea instalar los equipos. Instalará tuercas en jaula (incluidas) en las aberturas cuadradas para obtener un punto de fijación para los tornillos de montaje (incluidos). *Nota:* Consulte la documentación de su equipo para determinar cuántas tuercas en jaula necesitará y dónde debe instalarlas.



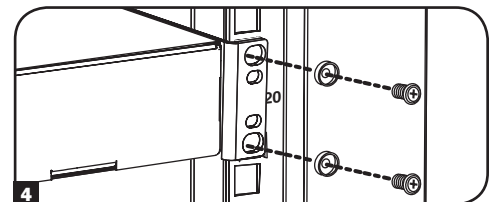
**2** Desde la parte interior del riel de montaje, inserte una de las bridas de la tuerca de jaula a través de la abertura cuadrada. Presiónela contra el lado de la abertura cuadrada. Cada brida debe engancharse en un lado de la abertura cuadrada, ni arriba ni abajo.



**3** Apriete la tuerca de jaula por los costados suavemente, para permitir que la brida restante encaje a través de la abertura cuadrada. Cuando la tuerca de jaula esté instalada adecuadamente, ambas bridas asomarán a través de la abertura cuadrada y podrán verse desde la superficie exterior del riel de montaje. Repita los pasos 1 a 3 hasta que todas las tuercas en jaula estén instaladas.



**4** Después de instalar las tuercas de seguridad, use los tornillos de instalación negros incluidos y arandelas de seguridad para fijar su equipo al riel del rack. Coloque las arandelas de seguridad entre los tornillos y las ménsulas de instalación del equipo.



*Nota:* Su equipo también puede incluir herramientas de montaje. Lea las instrucciones de montaje de su equipo antes de instalarlo.

**Para extraer las tuercas en jaula, siga los pasos 1 a 3 en sentido inverso**

*Nota:* Puede usar una herramienta para tuercas en jaula (suministrada por el usuario) para ayudarse en la instalación y extracción

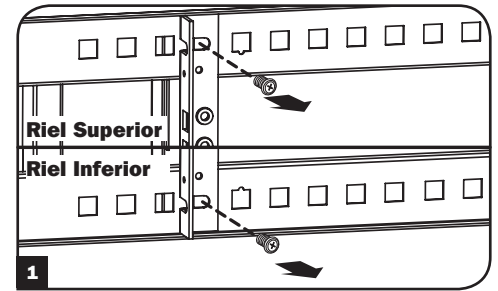
# 7. Instalación del equipo (continuación)

## 7.2 Instalación Alternativa: Riel de Instalación con Orificio Roscado

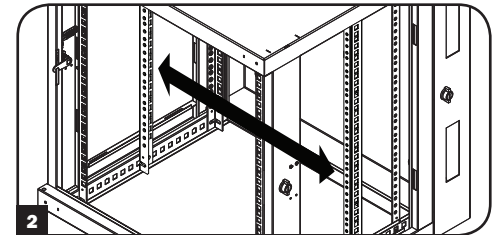
**ADVERTENCIA:** No intente ajustar los rieles mientras el equipo está instalado en el gabinete. No intente usar rieles sin los tornillos instalados. (2 por riel.)

Los rieles de instalación están preinstalados para asegurar el equipo usando el lado de los orificios cuadrados del riel de instalación. Para cambiar al lado de los orificios roscados del riel de instalación, siga los pasos indicados a continuación:

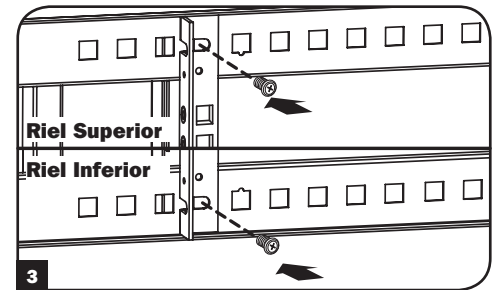
**1** Cada riel está conectado al gabinete con 2 tornillos: 1 en la esquina superior y otro en la esquina inferior. Usando un destornillador Phillips, retire los tornillos que sujetan los rieles al gabinete.



**2** Cambie las ubicaciones del riel. Cerciñese que el lado del orificio roscado vea hacia la puerta delantera.

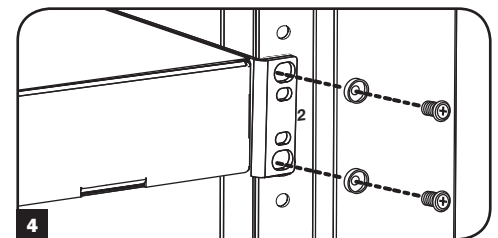


**3** Reinstale los rieles de instalación.



**4** Use los tornillos plateados de instalación para asegurar su equipo al riel del rack. Coloque las arandelas de seguridad entre los tornillos y las ménsulas de instalación del equipo.

*Nota: Su equipo puede incluir también accesorios para instalación. Lea las instrucciones de instalación que vienen con su equipo antes de instalarlo.*



## 8. Especificaciones

Modelo	SRW12USNEMA
Dimensiones (A x A x P)	25 x 23.6 x 21.6" (638 x 600 x 851 mm)
Peso de la unidad	60 lb (27 kg)
Capacidad de carga*	200 lb (90 kg) estacionaria
Profundidad de montaje (ajustable)	3" a 20.5" (76 a 521 mm)

\* La capacidad de carga total para montar en pared requiere una superficie de montaje capaz de soportar toda la carga. Las aplicaciones rodantes requieren el kit de accesorios SRCASTER opcional.

## 9. Almacenamiento y servicio

### Almacenamiento

El rack debe almacenarse en un ambiente interior controlado, lejos de la humedad, temperaturas extremas, líquidos y gases inflamables, contaminantes conductores, polvo y luz solar directa. Si es posible, almacénelo en su contenedor de envío original.

### Mantenimiento

Su producto Tripp Lite está cubierto por la garantía descrita en este manual. Tripp Lite también pone a su disposición una variedad de Garantías extendidas y Programas de servicio técnico en el sitio. Si desea más información sobre el servicio técnico, visite [www.tripplite.com/support](http://www.tripplite.com/support). Antes de devolver su producto para servicio técnico, siga estos pasos:

1. Revise la instalación y los procedimientos de operación que se encuentran en este manual para asegurarse de que el problema de servicio no se debe a una mala lectura de las instrucciones.
2. Si el problema persiste, no se comunique ni devuelva el producto al mayorista. En cambio, visite [www.tripplite.com/support](http://www.tripplite.com/support).
3. Si el problema exige servicio técnico, visite [www.tripplite.com/support](http://www.tripplite.com/support) y haga clic en el enlace Devoluciones de productos. Desde aquí puede solicitar un número de Autorización de Material Devuelto (RMA), que se necesita para el servicio técnico. En este sencillo formulario en línea se le solicitarán los números de serie y modelo de la unidad, junto con otra información general del comprador. El número RMA y las instrucciones para el envío se le enviarán por correo electrónico. La presente garantía no cubre ningún daño (directo, indirecto, especial o consecuencial) del producto que ocurra durante el envío a Tripp Lite o a un centro de servicio técnico de Tripp Lite autorizado. Los productos enviados a Tripp Lite o a un centro de servicio técnico de Tripp Lite autorizado deben tener prepagos los cargos de transporte. Escriba el número RMA en el exterior del embalaje. Si el producto se encuentra dentro del período de garantía, adjunte una copia de su recibo de venta. Envíe el producto para servicio técnico mediante un transportador asegurado a la dirección que se le proporcionó cuando solicitó el número RMA.

## 10. Garantía

### Garantía limitada por 5 años

El vendedor garantiza que este producto no tiene defectos originales de materiales ni de mano de obra por un período de cinco años a partir de la fecha original de compra, si se utiliza de acuerdo con todas las instrucciones correspondientes. En caso de demostrarse dentro de ese período que el producto tiene defectos de materiales o de mano de obra, el vendedor lo reparará o reemplazará a su exclusiva discreción.

ESTA GARANTÍA NO CUBRE EL DESGASTE NORMAL NI LOS DAÑOS CAUSADOS POR ACCIDENTES, MAL USO, ABUSO O NEGLIGENCIA. EL VENDEDOR NO OFRECE NINGUNA GARANTÍA EXPRESA QUE NO SEA LA ESTABLECIDA EXPRESAMENTE EN EL PRESENTE DOCUMENTO. EXCEPTO EN LA MEDIDA EN QUE LO PROHIBAN LAS LEYES APLICABLES, LA DURACIÓN DE TODAS LAS GARANTÍAS IMPLÍCITAS, INCLUIDAS LAS DE COMERCIALIZACIÓN O APTITUD, SE LIMITA AL PERÍODO DE GARANTÍA ANTES MENCIONADO Y ESTA GARANTÍA EXCLUYE EXPRESAMENTE TODOS LOS DAÑOS INCIDENTALES E INDIRECTOS. (Algunos Estados no permiten las limitaciones a la duración de una garantía implícita y otros Estados no permiten la exclusión o limitación de los daños incidentales o indirectos, de modo que las limitaciones o exclusiones antes mencionadas pueden no corresponder en su caso. Esta garantía le otorga derechos legales específicos y usted puede tener otros derechos que varían de una jurisdicción a otra).

ADVERTENCIA: Antes de usar este dispositivo, cada usuario debe ocuparse de determinar si es apto, adecuado o seguro para el uso que pretende darle. Dado que las aplicaciones individuales están sujetas a diversas variaciones, el fabricante no representa ni garantiza la idoneidad o condición de estos dispositivos para cualquier aplicación específica.

Tripp Lite tiene la política de mejora continua. Las especificaciones están sujetas a cambios sin notificación previa.



# Guide du propriétaire

## Armoire murale 12U SmartRack, NEMA 12

Modèle : SRW12USNEMA

### Table des matières

<b>1. Importantes consignes de sécurité</b>	<b>22</b>	<b>6. Montage de l'enceinte au mur</b>	<b>27</b>
<b>2. Vue d'ensemble</b>	<b>22</b>	6.1 Montage	27
<b>3. Identification des caractéristiques</b>	<b>23</b>	<b>7. Installation de l'équipement</b>	<b>28</b>
<b>4. Installation de l'armoire</b>	<b>24</b>	7.1 Installation ou enlèvement des écrous à cage	28
4.1 Préparation	24	7.2 Autre possibilité de montage : rail de fixation avec trous taraudés	29
4.2 Déballage	24	<b>8. Caractéristiques techniques</b>	<b>30</b>
4.3 Mise en place	24	<b>9. Entreposage et entretien</b>	<b>30</b>
4.4 Mise à la terre	24	<b>10. Garantie</b>	<b>30</b>
4.5 Connexion de l'alimentation c.a.	25	<b>English</b>	<b>1</b>
<b>5. Configuration de l'armoire</b>	<b>25</b>	<b>Español</b>	<b>11</b>
5.1 Serrures de portes	25	<b>Русский</b>	<b>31</b>
5.2 Inversion de la porte du boîtier	26		
5.3 Inversion du boîtier	26		
5.4 Rails de fixation	27		
5.5 Réglage de la profondeur du rail de fixation	27		
5.6 Nettoyage et remplacement des filtres à air	27		



1111 W. 35th Street, Chicago, IL 60609 USA • [www.tripplite.com/support](http://www.tripplite.com/support)

Copyright © 2012 Tripp Lite. Toutes les marques de commerce appartiennent à leurs propriétaires respectifs.

# 1. Importantes consignes de sécurité



## SAUVEGARDER CES DIRECTIVES

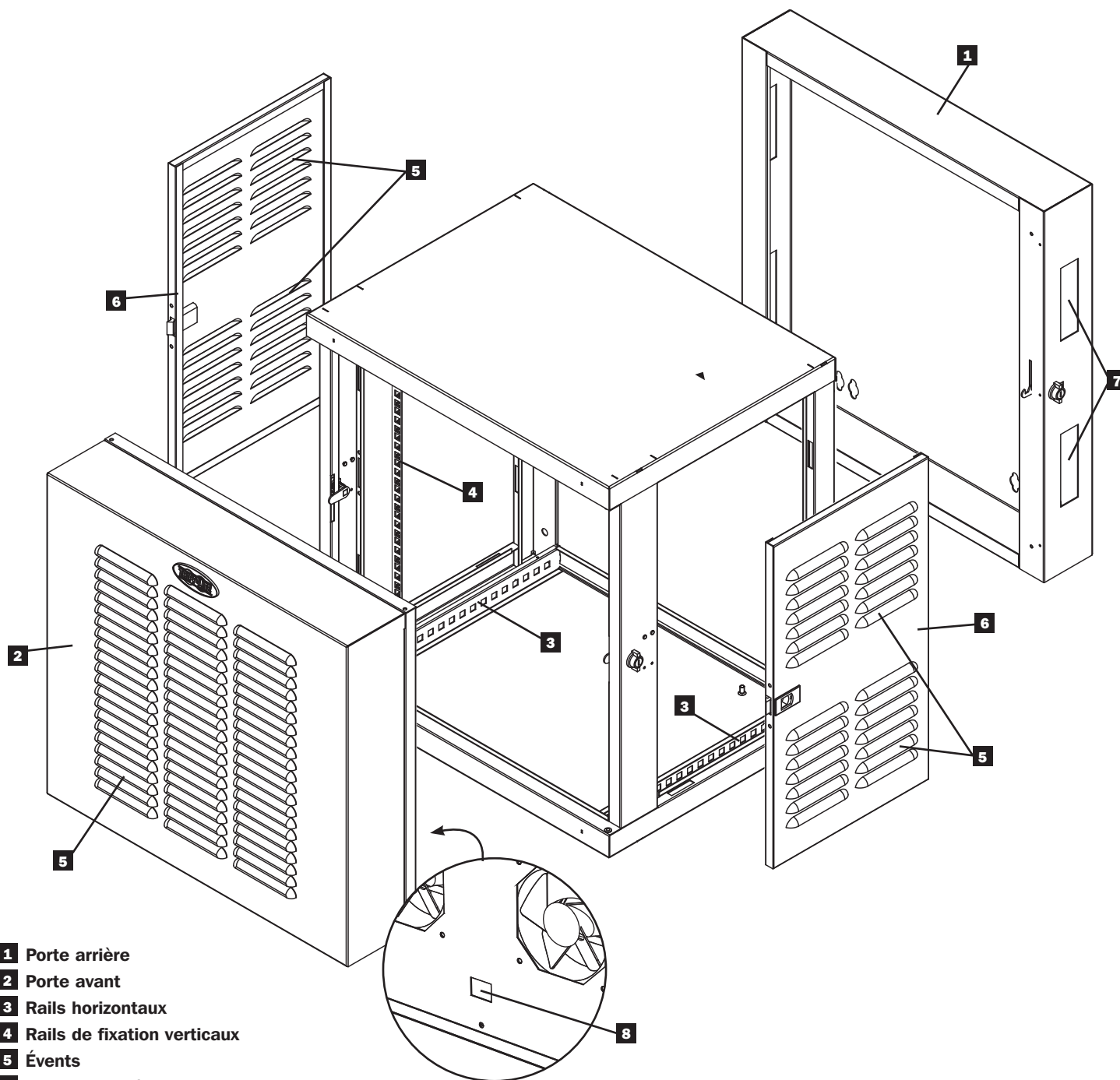
Ce manuel contient les directives et les mises en garde qui doivent être suivies pendant l'installation et l'utilisation du produit décrit dans ce manuel. Tout manque de se conformer aux directives peut annuler la garantie et entraîner des dégâts matériels ou des blessures corporelles.

- Maintenir l'armoire dans un environnement intérieur contrôlé, à l'abri de l'humidité, des températures extrêmes, des liquides et des gaz inflammables, de contaminants conducteurs, de la poussière et de la lumière directe du soleil.
- Laisser un espace suffisant à l'avant et à l'arrière de l'armoire pour garantir une bonne circulation d'air. Ne pas bloquer, couvrir ou introduire des objets dans les ouvertures externes de ventilation de l'armoire.
- Cette armoire est très lourde. Faire attention lors de la manutention de l'armoire. Ne pas essayer de la débarrer, de la déplacer ou de l'installer sans aide. Utiliser un appareil mécanique comme un chariot élévateur ou une transpalette à main pour déplacer l'armoire dans le conteneur d'expédition.
- Ne poser aucun objet sur l'armoire, en particulier des contenants de liquide, et ne pas essayer d'empiler les armoires.
- Inspecter le conteneur d'expédition et l'armoire pour vérifier si elle a été endommagée lors de l'expédition. Ne pas utiliser l'armoire si elle a été endommagée.
- Laisser l'armoire dans le conteneur d'expédition pour la déplacer aussi près que possible de l'emplacement final de l'installation.
- Installer l'armoire dans une aire à structure solide dont le plancher de niveau est capable de supporter le poids de l'armoire, de tout l'équipement qui sera installé dans l'armoire et des autres armoires et équipements qui seront installés à proximité.
- Faire attention lors de la coupe des matériaux d'emballage. L'armoire pourrait être égratignée, entraînant des dommages non couverts par la garantie.
- Conserver tous les matériaux d'emballage pour une future utilisation. Réemballer et expédier l'armoire sans son emballage original pourrait causer des dommages qui annuleraient la garantie.
- Ne pas réexpédier l'armoire avec de l'équipement supplémentaire sauf si elle a été expédiée avec une palette antichoc spéciale (Modèle « SP1 » uniquement). Le poids combiné de l'armoire et de l'équipement installé ne doit pas dépasser la capacité de charge de la palette. Tripp Lite n'est pas responsable des dommages ayant lieu durant une réexpédition.
- Il est déconseillé d'utiliser cet équipement dans des applications médicales où une panne de cet équipement pourrait normalement provoquer la panne de l'équipement de survie ou altérer notablement sa sécurité ou son efficacité. Ne pas utiliser cet équipement en présence d'un mélange anesthésique inflammable avec de l'air, de l'oxygène ou de l'oxyde nitreux.

## 2. Vue d'ensemble

Les armoires de stockage SmartRack peuvent recevoir tous les équipements standard de 19 po pour montage en bâti, quelque soit le fournisseur, et sont expédiées entièrement montées pour une mise en place rapide et facile.

### 3. Identification des caractéristiques



- 1** Porte arrière
- 2** Porte avant
- 3** Rails horizontaux
- 4** Rails de fixation verticaux
- 5** Évents
- 6** Panneaux latéraux amovibles/verrouillables
- 7** Fentes de cheminement des câbles
- 8** Entrée c.a.

## 4. Installation de l'armoire



**Attention! Lire toutes les instructions et les mises en garde avant l'installation!**



**Avertissement :** Les enceintes d'armoire peuvent être extrêmement lourdes. Ne pas essayer de déballer, de déplacer ou d'installer l'enceinte sans aide. Faites très attention en manipulant l'enceinte et assurez-vous de suivre toutes les instructions de manutention et d'installation. Ne pas essayer d'installer le matériel sans d'abord stabiliser l'enceinte.

### 4.1 Préparation

Il faut installer l'armoire dans une aire à structure solide dont le plancher de niveau est capable de supporter le poids de l'armoire, de tout l'équipement qui sera installé dans l'armoire et des autres armoires et équipements qui seront installés à proximité. Avant de déballer l'armoire, vous devez transporter le conteneur d'expédition à proximité de l'emplacement de l'installation finale pour réduire la distance de déplacement de l'appareil une fois que l'emballage protecteur aura été enlevé. Si vous planifiez d'entreposer l'armoire pendant une période prolongée avant installation, suivre les instructions du chapitre **Entreposage et service**.

Vous avez besoin de plusieurs outils :

- Niveau à bulle
- Tournevis pour vis cruciforme
- Outils appropriés pour le montage au mur

Vous avez également besoin du matériel suivant :

- Matériel approprié pour fixation murale (non inclus)

### 4.2 Déballage



**Employer au moins deux personnes pour déballer l'enceinte.**



**1** Déplacer la palette d'expédition à une surface solide et bien nivelée.

**2** Ouvrir la boîte et enlever les quatre cornières de protection en mousse. Sauvegarder tous les matériaux d'emballage pour l'usage ultérieur à moins que vous soyez certain qu'ils ne seront pas exigés. Les matériaux d'emballage sont recyclables.

**3** Avec une personne de chaque côté, soulever soigneusement l'enceinte hors de la boîte et la placer sur une surface solide bien nivelée.

**4** Examiner l'enceinte à la recherche de dommages ou de pièces desserrées. Confirmer que toutes les pièces sont présentes. Si quelque chose manque ou est endommagée, contacter Tripp Lite pour de l'aide. Ne pas essayer d'utiliser l'enceinte si elle a été endommagée.

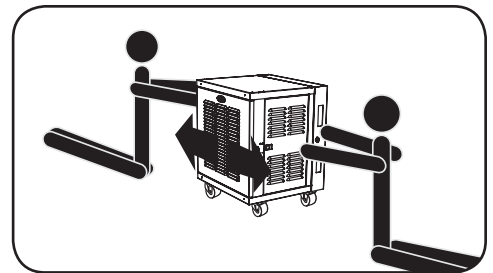


**Ne jamais étendre plus d'un composant de l'enceinte à la fois.**



### 4.3 Mise en place

L'enceinte devrait être déplacée près de son lieu d'installation à l'intérieur de son conteneur d'expédition avant qu'elle ne soit déballée. **Avertissement :** Ne pas pousser ou tirer l'enceinte aux panneaux latéraux et ne pas tirer l'enceinte vers vous. Seuls les conducteurs de matériel expérimentés devraient essayer de soulever l'enceinte. Utiliser le matériel approprié et suivre toutes les procédures et tous les règlements de sûreté applicables.

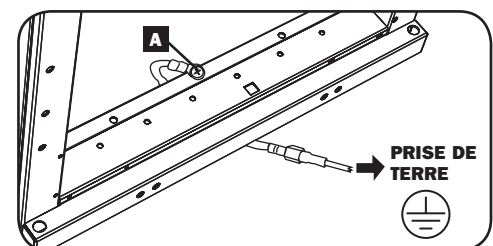


**Avertissement :** Ne jamais essayer de soulever ou d'installer sans l'aide appropriée. Ne pas essayer de soulever l'enceinte sans l'aide d'une autre personne au moins.



### 4.4 Mise à la terre

Toutes les pièces de l'enceinte sont mises à la terre au châssis de l'enceinte. Utiliser la prise de masse filetée avant ou arrière de l'enceinte **A** et une vis M6 (incluse) pour brancher le châssis de l'enceinte directement à la prise de terre au sol de votre lieu d'installation avec un fil de 8 A.W.G. (3,264 mm). Faire passer le fil de masse sous le châssis de l'enceinte pour assurer le fonctionnement de la porte sans difficulté. **Avertissement :** Attacher chaque enceinte à la terre séparément. Ne pas utiliser l'enceinte sans prise de terre au sol.





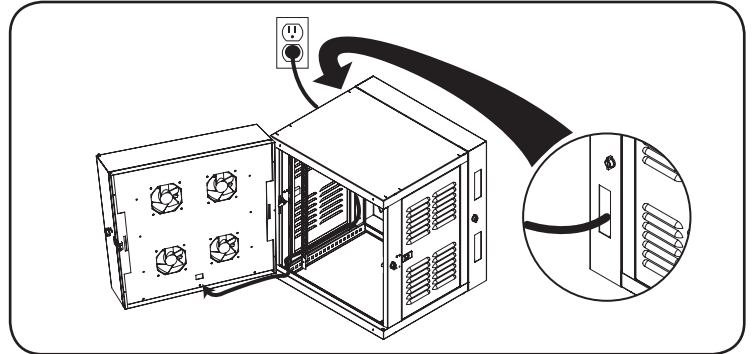
## 4. Installation de l'armoire (suite)

### 4.5 Connexion de l'alimentation c.a.

Le modèle SRW12USNEMA est équipé d'un panneau de quatre ventilateurs monté dans la porte avant. Les ventilateurs sont alimentés via le cordon d'alimentation NEMA 5-15 inclus à C13 et branché à la prise C14 au bas de la porte. Le cordon doit être correctement acheminé et installé avant que l'unité soit complètement fonctionnelle.

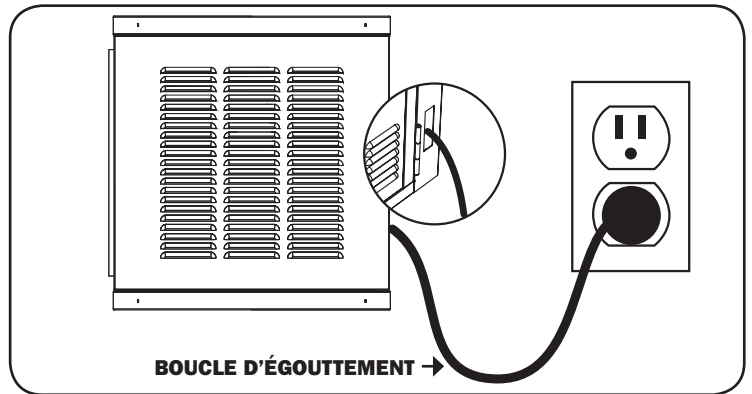
#### Cheminement du cordon d'alimentation

Pour permettre à la porte de pivoter complètement ouverte et pour assurer une longueur maximale au cordon d'alimentation, branchez le cordon d'alimentation à la prise C14 et acheminez-le le long du bas de l'unité du côté des charnières de la porte. Le cordon doit sortir de la fente du bas du cheminement du cordon du côté des charnières de la porte.



#### Création d'une boucle d'égouttement

Pour assurer une plus grande sécurité, une boucle d'égouttement doit être formée dans le cordon d'alimentation pour une installation adéquate du SRW12USNEMA. Pour créer une boucle d'égouttement, assurez-vous que le cordon d'alimentation soit acheminé vers le bas à partir de l'unité et se relève de nouveau vers la sortie d'alimentation, formant une boucle dans le cordon qui acheminera toute humidité loin de la sortie et de l'unité.



## 5. Configuration de l'armoire

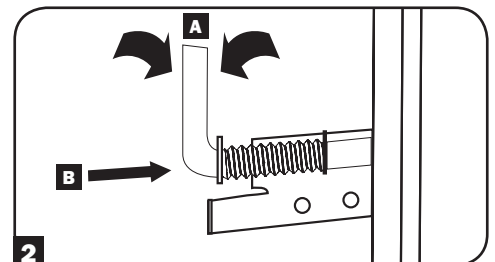
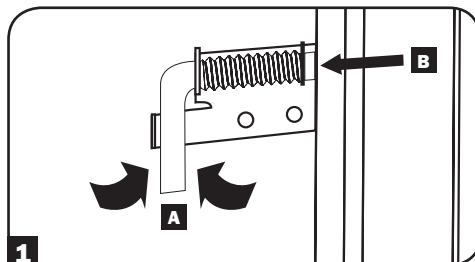
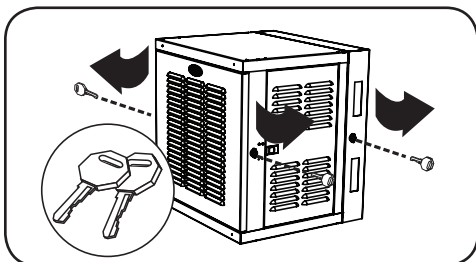
Avant installation, assurez-vous de préparer le lieu et l'agencement des composants dans l'enceinte. Assurez-vous que tous les rails de fixation sont inversés ou réglés à la profondeur, selon la configuration de votre matériel. *Remarque : Débranchez toujours le cordon d'alimentation et retirez l'équipement avant de tenter de reconfigurer l'armoire.*

### 5.1 Serrures de portes

Les portes avant et arrière ont des serrures qui sont accessibles par les touches inclus.

Chaque panneau latéral serrures utilisant un levier en L à l'intérieur de l'enceinte.

- 1 Pour déverrouiller et de retirer les panneaux latéraux, soulevez la jambe plus courte du "L" vers le haut (A) et retirez-le panneau latéral (B). Tirez la languette sur le panneau latéral et le retirer de l'enceinte.
- 2 Pour re-verrouiller les panneaux latéraux, le sécuriser dans la bonne position, soulevez la jambe plus courte du "L" vers le haut (A) et le pousser vers le panneau latéral, dans le trou qu'il était dans un premier temps (B). Une fois qu'il est en place, poussez le jambe plus courte du «L» afin de la verrouiller. *Remarque: Pour verrouiller et déverrouiller les panneaux latéraux, vous aurez besoin d'avoir accès à l'intérieur de l'enceinte.*



## 5. Configuration de l'armoire (suite)

### 5.2 Inversion de la porte du boîtier

Pour accommoder les diverses configurations de bâti, la porte du boîtier peut être inversée. La direction dans laquelle la porte s'ouvre est déterminée par quatre leviers en forme de « L » à l'intérieur du boîtier.

**1** Pour accéder à ces leviers, vous devez tout d'abord retirer les panneaux latéraux selon la procédure décrite à la Section 5.1.

**2** Les deux leviers (supérieur et inférieur) du côté sur lequel la porte s'ouvre doivent être « DÉGAGÉS », alors que les deux leviers (supérieur et inférieur) du côté opposé (côté sur lequel la porte pivote), doivent être « ENGAGÉS ».

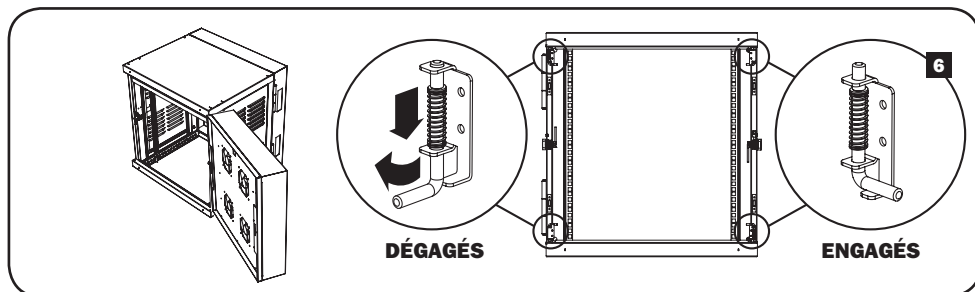
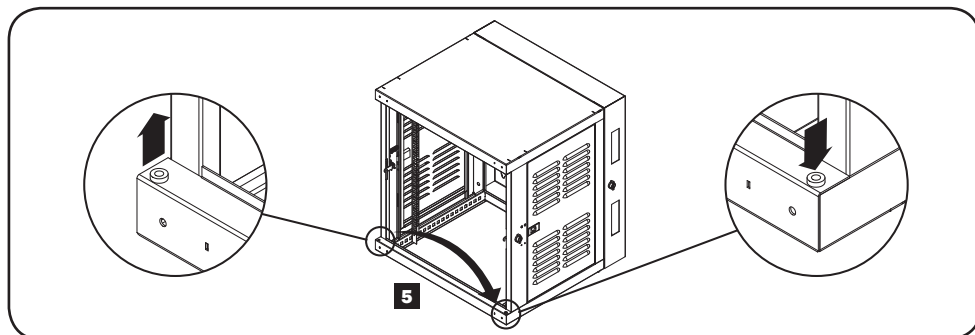
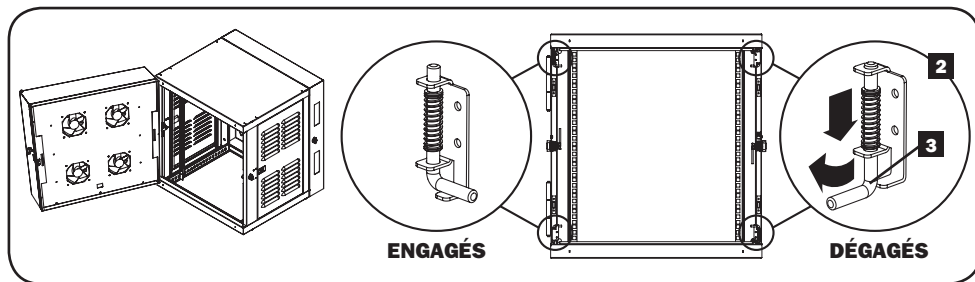
**3** Désenclenchez les leviers. Les leviers sont « DÉSENCLENCHÉS » lorsque la patte courte du levier en « L » sort de la bride de fixation du support. Pour retirer la patte courte du levier en « L » de la bride de fixation du support, éloignez-la de la bride de fixation (soit vers le haut, soit vers le bas) et faites pivoter le levier (soit vers la porte, soit en l'éloignant de la porte) pour que la patte courte du « L » sorte de la bride de fixation.

**4** Enlevez la porte. Une douille métallique est située sur le rebord inférieur du cadre, du côté où la porte pivote.

**5** Déplacez la douille du côté où la porte pivote vers le côté opposé du cadre et alignez-la avec le trou.

**6** Alignez la porte au côté opposé et enclenchez les leviers. Les leviers sont « ENCLENCHÉS » lorsque que la patte courte du « L » est insérée dans la bride de fixation du support. Pour « ENCLENCHER », pressez le levier pour comprimer le ressort et faites pivoter le levier vers la bride de fixation. Lors de l'enclenchement du levier inférieur, assurez-vous qu'il passe bien à travers la douille.

**7** Assurez-vous que les leviers supérieur et inférieur du côté sur lequel vous désirez que la porte s'ouvre sont « DÉGAGÉS » et que les deux leviers du côté sur lequel vous désirez que la porte pivote sont « ENGAGÉS ». Autrement, la porte peut ne pas fonctionner correctement et des dommages peuvent résulter.



### 5.3 Inversion du boîtier

Pour accommoder les diverses configurations du bâti, le boîtier au complet peut être inversée.

**1** Retirez les panneaux latéraux selon la procédure de la Section 5.1.

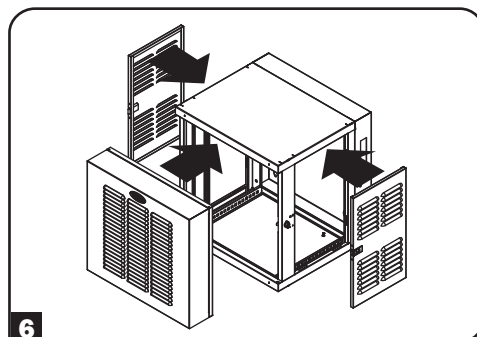
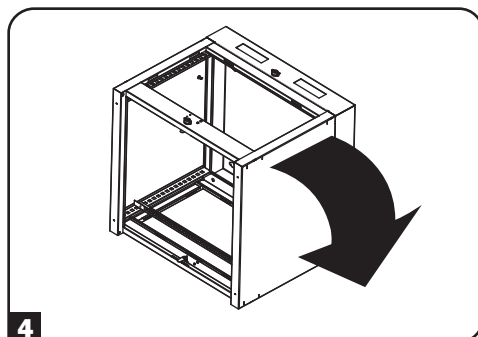
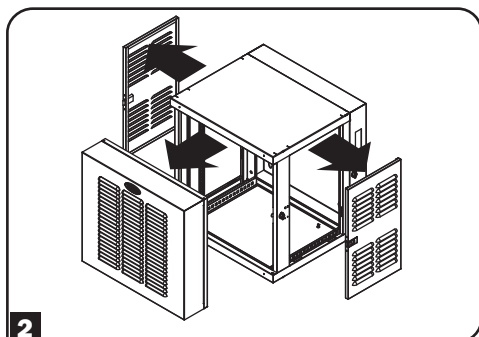
**2** Retirez la porte avant en plaçant les quatre leviers en « L » à la position « DÉGAGÉ » et en éloignant la porte du boîtier.

**3** Retirez la douille métallique décrite à la Section 5.2.

**4** Tournez le boîtier.

**5** Remplacez la douille métallique selon les instructions de la Section 5.2.

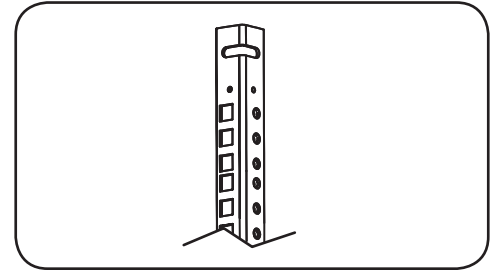
**6** Remontez la porte avant et les panneaux latéraux.



## 5. Configuration de l'armoire (suite)

### 5.4 Rails de fixation

Le boîtier est fourni avec des rails de fixation qui sont pourvus à la fois de trous carrés et de trous taraudés pour fixer l'équipement au support. Pour installer le matériel, utiliser les écrous à cage ainsi que d'autres ferrures. (Voir page 7 pour l'installation des écrous à cage.) **Avertissement :** **Assurez-vous de monter l'enceinte solidement au mur, ou en sa position finale sur le sol avant de monter n'importe quel matériel à l'intérieur. Assurez-vous également d'avoir tous les réglages corrects sur vos rails avant de monter le matériel. (Voir ci-dessous pour régler la profondeur du rail de fixation.)**

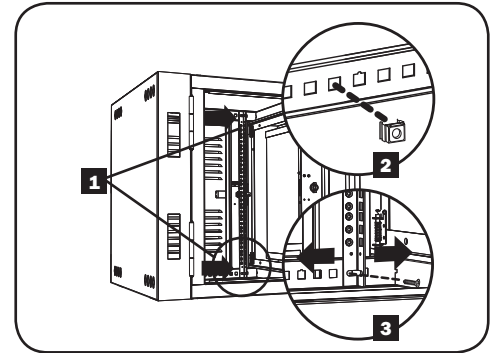


### 5.5 Réglage de la profondeur du rail de fixation

**Avertissement :** Ne pas essayer de régler les rails alors que du matériel est installé dans l'enceinte. Ne pas essayer d'utiliser des rails sans vis installées. (2 par rail.)

Les 4 rails de fixation sont préinstallés pour s'adapter au matériel avec une profondeur de fixation de 20,5 pouces (521 mm). Ne pas régler les rails de fixation à moins que votre matériel n'exige une profondeur de fixation différente. Les ensembles de rails avant et arrière peuvent être réglés indépendamment en incréments d'1/4 de pouce (6mm) aux profondeurs de fixation entre 3 pouces (76 mm) et 20,5 pouces (521 mm).

- 1 Chaque rail est connecté au boîtier au moyen de 2 vis et de 2 écrous à cage : 1 ensemble dans le coin supérieur et un autre dans le coin inférieur. À l'aide d'un tournevis Phillips, enlever les vis qui retiennent les rails au boîtier.
- 2 Déplacer les écrous à cage à la profondeur désirée et réinstaller.
- 3 Glisser les rails de fixation à la profondeur désirée et les rattacher à l'aide des vis que vous avez enlevées dans l'étape 1.



### 5.6 Nettoyage et remplacement des filtres à air

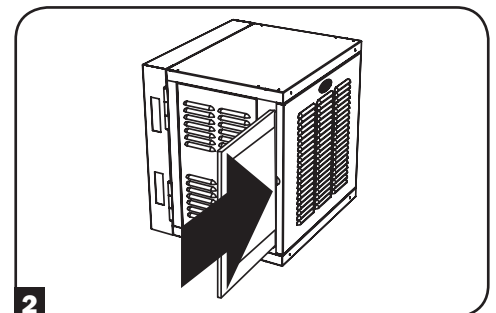
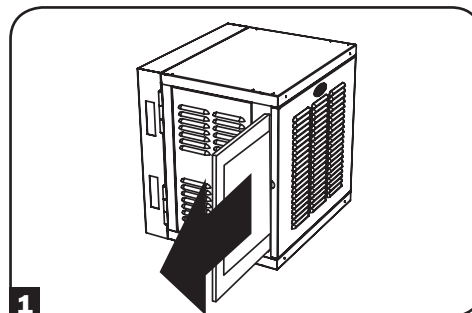
Le SRW12USNEMA est livré équipé de filtres à air installés dans la porte avant. Il utilise des filtres ordinaires (20 po x 24 po) disponibles dans la plupart des magasins de produits de rénovation. Pour retirer les filtres pour le nettoyage ou le remplacement :

- 1 Localisez le filtre sur le côté gauche de la porte et glissez-le doucement hors de l'unité.

Pour remplacer le filtre :

- 2 Alignez le filtre à la fente de la porte et glissez-le jusqu'à ce qu'il en atteigne l'extrémité de son support et que vous ressentiez une résistance.

Remarque : Une partie du filtre demeure en dehors de la porte pour en faciliter le retrait.



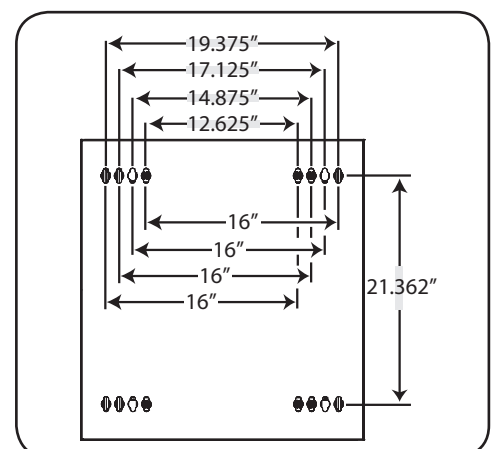
## 6. Montage de l'enceinte au mur

**Avertissement :** Ne pas essayer de monter l'enceinte au mur alors que le matériel est installé dans l'enceinte.

### 6.1 Montage

Il y a 16 fentes en forme de trou de serrure sur la porte arrière de l'enceinte. Chaque trou de serrure peut accueillir un boulon M10 ou 3/8". Les fentes sont aux centres et en commençant par les deux trous les plus centraux, les centres sont 12,625 pouces (320,67 mm), 14,875 pouces (377,82 mm), 17,125 pouces (434,97 mm) et 19,375 pouces (492,12 mm) à part, respectivement en allant vers l'extérieur et horizontalement. Les trous sont alors à l'écart verticalement d'une distance de 21,362 pouces (542,60 mm) comme montré sur le diagramme.

À l'aide d'un niveau à bulle, mesurer pour situer vos zones de montage avec précision. Utiliser les dispositifs de fixation appropriés (non inclus) pour fixer l'enceinte au mur. **Avertissement :** **L'endroit où vous prévoyez de monter l'enceinte au doit pouvoir supporter le poids de l'enceinte et de tout le matériel qui y est installé. Pour le poids de l'enceinte ainsi que sa capacité voir les caractéristiques en page 24.**



# 7. Installation de l'équipement

**MISE EN GARDE : Ne pas installer d'équipement avant d'avoir stabilisé l'armoire. Installer d'abord l'équipement lourd et à la base de l'armoire. Installer l'équipement en commençant à la base de l'armoire vers son sommet - jamais l'inverse. Si vous utilisez des rails glissières, faire attention lors de l'extension des rails. Ne pas ouvrir plus d'un jeu de rails glissières en même temps. Éviter d'ouvrir un jeu de rails glissières près du sommet de l'armoire.**

*Remarque : L'appareil est fourni avec deux sortes de vis différentes pour l'installation de l'équipement : des vis noires et des vis couleur argent. Utiliser les vis de montage noires pour fixer l'équipement au côté du rail de montage comportant des trous carrés. Utiliser les vis de montage de couleur argent pour fixer l'équipement au côté du rail de montage comportant des trous taraudés.*

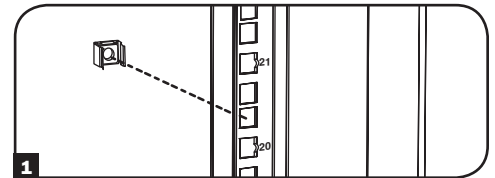
*Note : Les trous carrés au milieu de chaque division de bâti sont numérotés et disposent aussi d'une petite encoche pour aider à l'identification. Une seule division de bâti comprend l'espace occupé par le trou numéroté et les trous immédiatement au dessus et au dessous.*



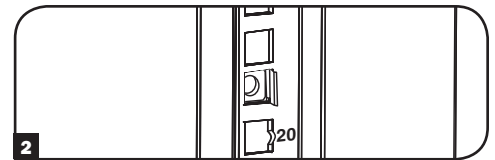
## 7.1 Installation ou enlèvement des écrous à cage

**MISE EN GARDE : Les brides des écrous à cage doivent s'encaster dans les côtés de l'ouverture carrée dans le rail, pas au sommet ni à la base. Suivre les instructions de la documentation de votre équipement pour garantir sa bonne installation.**

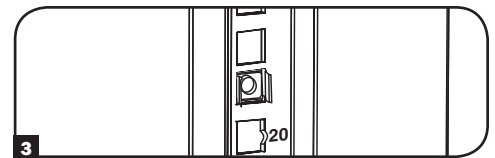
**1** Repérer les ouvertures carrées numérotées dans les profilés de montage où vous planifiez d'installer votre équipement. Vous poserez des écrous à cage (fournis) dans les ouvertures carrées afin de fournir un point de fixation pour les vis de montage (fournies). *Note : Consulter la documentation de votre équipement pour savoir combien d'écrous à cage seront nécessaires et où ils devront être installés.*



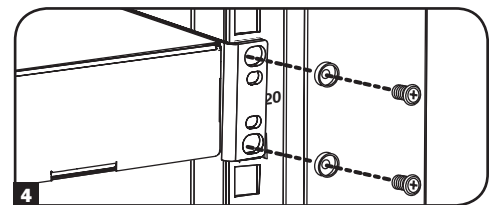
**2** Depuis l'intérieur du profilé de montage, introduire une des brides de l'écrou à cage dans l'ouverture carrée. Appuyer la bride contre le côté de l'ouverture. Chaque bride doit s'encaster dans un des côtés de l'ouverture, pas au sommet ni à la base.



**3** Comprimer légèrement les côtés de l'écrou à cage pour permettre à l'autre bride de s'engager dans l'ouverture. Quand l'écrou à cage est correctement posé, les deux brides vont dépasser de l'ouverture carrée et seront visibles à la surface extérieure du profilé de montage. Répéter les étapes 1 à 3 jusqu'à ce que tous les écrous à cage nécessaires soient posés.



**4** Après avoir posé les écrous à cage requis, utilisez les vis de montages noires incluses et les rondelles à collerette pour fixer votre équipement au rail du support. Placer les rondelles à collerettes entre les vis et les supports de montage de l'équipement.



*Note : La quincaillerie de fixation peut aussi être jointe à votre équipement. Lire les instructions de montage jointes à votre équipement avant d'installer celui-ci.*

**Pour enlever les écrous à cage, inverser les étapes 1 à 3**

*Note : Vous pouvez utiliser un outil pour écrou à cage (fourni par l'utilisateur) afin d'aider à la pose et à l'enlèvement des écrous.*

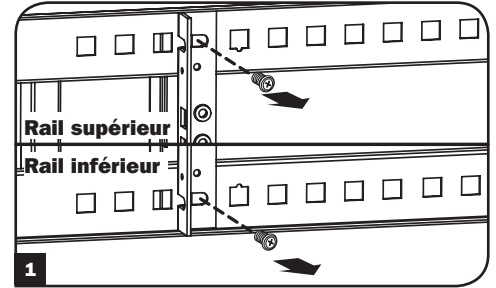
# 7. Installation de l'équipement (suite)

## 7.2 Autre possibilité de montage : rail de fixation avec trous taraudés

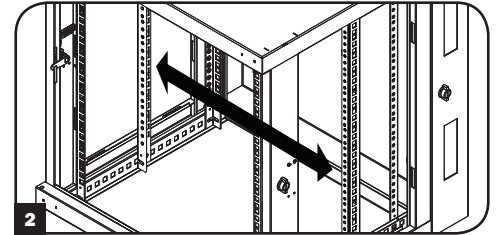
**AVERTISSEMENT : Ne tentez pas d'ajuster les rails lorsque l'équipement est installé dans le boîtier. Ne pas tenter d'utiliser les rails sans avoir posé les vis (2 par rail).**

Les 2 rails de montages sont pré-installés pour fixer l'équipement en utilisant le côté du rail de montage comportant des trous carrés. Pour passer au côté du rail de montage pourvu de trous taraudés, veuillez suivre les étapes suivantes :

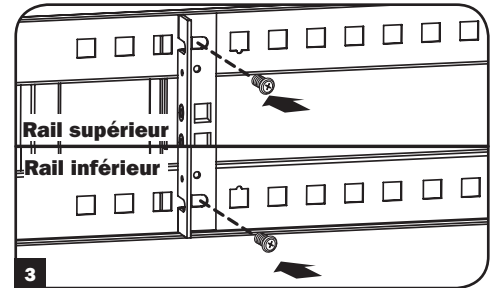
**1** Chaque rail est connecté au boîtier au moyen de 2 vis : une dans le coin supérieur et l'autre dans le coin inférieur. Au moyen d'un tournevis Phillips, enlever les vis qui retiennent les rails au boîtier.



**2** Changer l'emplacement des rails. Pour chaque rail, s'assurer que le côté comportant des trous taraudés soit tourné vers la porte avant.

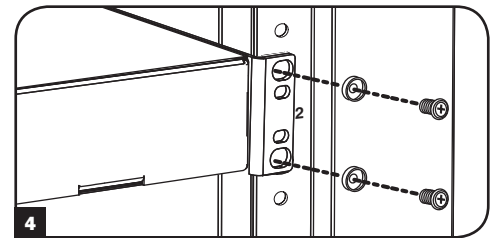


**3** Remettre les rails de montage en place.



**4** Utiliser les vis de montage couleur argent incluses pour fixer l'équipement au rail du support. Placer les rondelles à collerette entre les vis et les supports de montage de l'équipement

*Remarque : L'équipement peut également inclure des pièces de montage. Lire les instructions de montage fournies avec l'équipement avant d'installer l'équipement.*



## 9. Caractéristiques techniques

Modèle	SRW12USNEMA
Dimensions (H x L x P)	25 x 23,63 x 21,6" (635 x 600 x 549 mm)
Poids unitaire	60 livres (27 kg)
Capacité nominale*	200 livres (90 kg) Immobile
Profondeur de fixation (Réglable)	3" à 20,5" (76 à 521 mm)

\* Une installation murale complète nécessite une surface de support capable de soutenir le poids total du dispositif. La trousse accessoire SRCASTER est disponible en option pour les applications montées sur roues.

## 10. Entreposage et entretien

### Entreposage

Cette armoire doit être entreposer dans un environnement intérieur contrôlé, à l'abri de l'humidité, des températures extrêmes, des liquides et des gaz inflammables, de contaminants conducteurs, de la poussière et de la lumière directe du soleil. Entreposer l'armoire dans son conteneur d'expédition original si possible.

### Service

Votre produit Tripp Lite est couvert par la garantie décrite dans ce manuel. Une variété de garantie prolongées et de programmes de service sur place sont également disponibles chez Tripp Lite. Pour plus de renseignements sur le service, visitez [www.tripplite.com/support](http://www.tripplite.com/support). Avant de retourner votre produit pour entretien ou réparation, suivez les étapes suivantes :

1. Relisez les directives d'installation et de fonctionnement de ce manuel afin de vous assurer que le problème n'a pas pour origine une mauvaise lecture des directives.
2. Si le problème persiste, ne pas communiquer ou renvoyer le produit au vendeur. À la place, visitez [www.tripplite.com/support](http://www.tripplite.com/support).
3. Si le problème nécessite une réparation, visitez [www.tripplite.com/support](http://www.tripplite.com/support) et cliquez sur le lien Product Returns (retour du produit). De cet endroit, vous pouvez demander un numéro d'autorisation de retour de matériel (RMA) qui est exigé pour une réparation. Ce formulaire en ligne simple vous demandera le numéro de modèle et le numéro de série de votre unité ainsi que d'autres renseignements généraux concernant l'acheteur. Le numéro RMA, ainsi que les instructions concernant le transport vous seront acheminées par courriel. Tout dommage (direct, indirect, spécial ou fortuit) survenu au produit pendant le transport à Tripp Lite ou à un centre de service autorisé Tripp Lite est exclu de la garanti. Les produits expédiés à Tripp Lite ou à un centre de service autorisé doivent être prépayés. Inscrire le numéro RMA sur le paquet. Si le produit est encore couvert par la garantie de deux ans, joindre une copie de votre facture d'achat. Retourner le produit pour réparation par un transporteur assuré à l'adresse qui vous a été donnée lorsque vous avez demandé le RMA.

## 11. Garantie

### Garantie limitée de 5 ans.

Le vendeur garantit que, s'il a été utilisé selon les directives applicables, ce produit est exempt de tout défaut initial de matériel et de fabrication pendant une période de 5 ans à dater de l'achat initial. Si le produit s'avère défectueux sur le plan matériel ou de la fabrication durant cette période, le vendeur le réparera ou le remplacera, gratuitement.

CETTE GARANTIE NE S'APPLIQUE PAS À L'USURE NORMALE OU AUX DOMMAGES DUS À UN ACCIDENT, UNE MAUVAISE UTILISATION, UN ABUS OU UNE NÉGLIGENCE. LE VENDEUR N'ACCORDE AUCUNE GARANTIE EXPRESSE AUTRE QUE CELLE CONTENUE DANS LES DISPOSITIONS CI-DESSUS. SAUF DISPOSITIONS CONTRAIRES PRÉVUES PAR LA LOI, TOUTES LES GARANTIES IMPLICITES, Y COMPRIS LES GARANTIES DE QUALITÉ COMMERCIALE ET D'ADAPTATION À UN USAGE PARTICULIER, SONT LIMITÉES À LA PÉRIODE DE GARANTIE PRÉCITÉE. CETTE GARANTIE EXCLUT EXPRESSÉMENT LES DOMMAGES ACCESSOIRES ET INDIRECTS. (Certains états n'autorisent pas les restrictions de la durée d'une garantie implicite et d'autres n'autorisent pas l'exclusion ni la restriction des dommages accessoires ou indirects, de sorte que ces restrictions ou exclusions pourraient ne pas s'appliquer à vous. Cette garantie vous donne des droits légaux spécifiques et vous pouvez aussi posséder d'autres droits qui varient d'une juridiction à l'autre.)

MISE EN GARDE : L'utilisateur individuel doit prendre soin de déterminer avant l'usage si cet appareil est convenable, adéquat et sûr pour l'usage prévu. Étant donné que les applications individuelles varient énormément, le fabricant ne fait aucune déclaration, ni ne donne aucune garantie quant à la convenance de ces appareils à une application particulière.

Tripp Lite mène un politique d'amélioration continue. Les caractéristiques techniques sont modifiables sans préavis.



# РУКОВОДСТВО ПОЛЬЗОВАТЕЛЯ

## Навесной шкаф SmartRack высотой 12U с защитой по классу NEMA12

Модели: **SRW12USNEMA**

### Оглавление

1. Важные правила техники безопасности	32	6. Монтаж шкафа на стену	38
2. Обзор	32	6.1 Монтаж	38
3. Описание возможностей	33	7. Установка оборудования	38
4. Установка шкафа	34	7.1 Установка или удаление закладных гаек	38
4.1 Подготовка	34	7.2 Альтернативные возможности монтажа: монтажная направляющая с резьбовыми отверстиями	39
4.2 Распаковка	34	8. Технические характеристики	40
4.3 Размещение	34	9. Хранение и обслуживание	40
4.4 Заземление	34	10. Гарантийные обязательства и регистрация гарантии	40
4.5 Подключение к сети переменного тока	35	<b>English</b>	<b>1</b>
5. Конфигурация шкафа	35	<b>Español</b>	<b>10</b>
5.1 Дверные замки	35	<b>Français</b>	<b>19</b>
5.2 Перевешивание дверцы шкафа	36		
5.3 Изменение направления открывания дверей	37		
5.4 Монтажные направляющие	37		
5.5 Регулировка глубины монтажных направляющих	37		
5.6 Очистка/замена воздушных фильтров	37		



1111 Запад. 35-я улица, Чикаго, Иллинойс 60609, США. • [www.tripplite.com/support](http://www.tripplite.com/support)

Copyright © 2012 Tripp Lite. Все торговые марки являются исключительной собственностью их соответствующих владельцев.

# 1. Важные правила техники безопасности



## СОХРАНИТЕ ЭТИ ПРАВИЛА

Данное руководство содержит правила безопасности и предупреждения, которые нужно соблюдать во время монтажа и эксплуатации данного продукта. Несоблюдение этих требований может вызвать потерю гарантии и привести к повреждению имущества или травме.

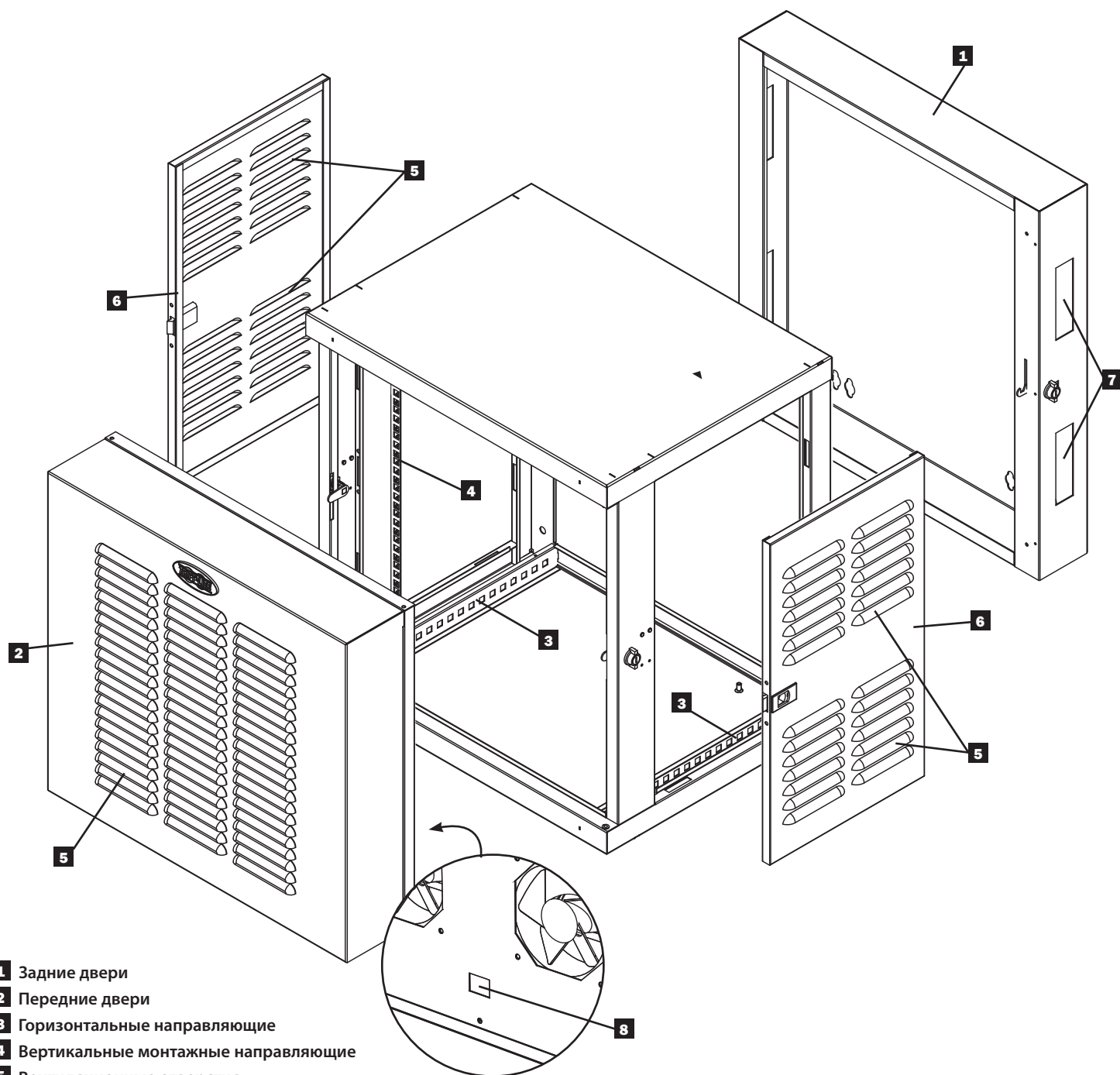
- Шкаф должен находиться в помещении с регулируемыми параметрами микроклимата. Не допускается повышенная влажность, перепады температур, наличие горючих жидкостей и газов, токопроводящих веществ, пыли и попадание прямых солнечных лучей.
- Нужно обеспечить достаточное пространство с передней и задней стороны шкафа для надлежащей вентиляции. Не блокировать, не закрывать и не вставлять посторонние предметы в вентиляционные отверстия на корпусе шкафа.
- Шкаф имеет большую массу. При перемещении шкафа следует соблюдать осторожность. Распаковывать, перемещать или устанавливать его нужно вдвоем с помощником. Для перемещения шкафа в упаковочной таре используются механические устройства, такие как вилочный погрузчик или штабелерукладчик.
- Не ставить на шкаф никаких предметов, особенно емкостей с жидкостью, и не ставить шкафы друг на друга.
- Проверить упаковочную тару и шкаф на отсутствие повреждений при транспортировке. Не использовать шкаф, если он поврежден.
- Шкаф должен оставаться в упаковочной таре, пока он не будет перемещен как можно ближе к месту окончательной установки.
- Шкаф устанавливается в конструктивно прочной зоне, способной нести нагрузку, или на полу, способном выдержать вес шкафа, всего оборудования, которое будет установлено в шкаф, и других корпусов и/или оборудования, которые будут установлены рядом.
- При резке упаковочных материалов следует соблюдать осторожность. Шкаф может быть поцарапан, а причиненные повреждения не покрываются гарантией.
- Все упаковочные материалы сохраняются для возможного использования в будущем. Повторная упаковка и транспортировка шкафа без оригинальной упаковки может привести к повреждению изделия, что приведет к утрате гарантии.
- Не следует транспортировать шкаф с дополнительным оборудованием, если он не был оснащен специальным ударозащищенным поддоном (только модели "SP1"). Общий вес шкафа и установленного оборудования не должен превышать грузоподъемность поддона. Tripp Lite не несет ответственности за ущерб, который причинен во время повторной транспортировки.
- Не рекомендуется использовать это оборудование в приложениях искусственного поддержания жизнедеятельности, где отказ настоящего оборудования может вызвать остановку оборудования поддержания жизнедеятельности или значительно повлиять на его безопасность или эффективность. Не использовать это оборудование в средах, которые содержат легко воспламеняемые смеси обезболивающих составов с воздухом, кислородом или закисью азота.

## 2. Обзор

Шкафы SmartRack предназначены для размещения стандартного 19-дюймового стоечного оборудования, независимо от производителя, и поставляются полностью собранными для быстрого и простого развертывания.



### 3. Описание возможностей



- 1** Задние двери
- 2** Передние двери
- 3** Горизонтальные направляющие
- 4** Вертикальные монтажные направляющие
- 5** Вентиляционные отверстия
- 6** Запираемые, съемные боковые панели
- 7** Прорези для прокладки кабеля
- 8** Вход питания переменного тока

## 4. Установка шкафа



**Внимание! Перед установкой прочитайте все инструкции и предупреждения!**



**Предупреждение:** Шкафы могут быть очень тяжелыми. Распаковывать, перемещать или устанавливать шкаф нужно вдвоем с помощником. Следует соблюдать особую осторожность при обращении со шкафом и обязательно следовать всем инструкциям по установке и эксплуатации. До начала установки оборудования нужно предварительно обеспечить устойчивость шкафа.

### 4.1 Подготовка

Шкаф должен устанавливаться в конструктивно прочной зоне, способной нести нагрузку, или на полу, способном выдержать вес шкафа, всего оборудования, которое будет установлено в шкаф, и других корпусов и/или оборудования, которые будут установлены рядом. Перед распаковкой шкафа он должен быть перемещен возможно ближе к месту окончательной установки, чтобы минимизировать расстояние, на которое его нужно будет переместить после снятия защитной упаковки. Если планируется хранить шкаф в течение длительного периода до установки, следуйте инструкциям в разделе **Хранение и обслуживание**.

Потребуются несколько инструментов:

- Уровень
- Отвертка с крестообразной головкой
- Инструменты для монтажа на стену

Кроме того, необходимо следующее оборудование:

- Соответствующий крепеж для настенного монтажа (в комплект не входит)

### 4.2 Распаковка



**Для распаковки шкафа нужны как минимум два человека.**



- 1 Поместить поддон на прочной, ровной поверхности.
- 2 Открыть ящик и удалить четыре угловых защитных элемента из пенопласта. Сохранить все упаковочные материалы для дальнейшего использования, пока не станет точно известно, что они больше не понадобятся. Упаковочные материалы подлежат переработке.
- 3 Взявшись по одному человеку с каждой стороны, осторожно вытащить шкаф из ящика и поставить на прочную, ровную поверхность.
- 4 Проверить корпус на отсутствие повреждений и незакрепленных деталей. Подтвердить полноту комплектации. Если какие-то части отсутствуют или повреждены, обратиться за помощью в компанию Tripp Lite. Не использовать шкаф, если он был поврежден.

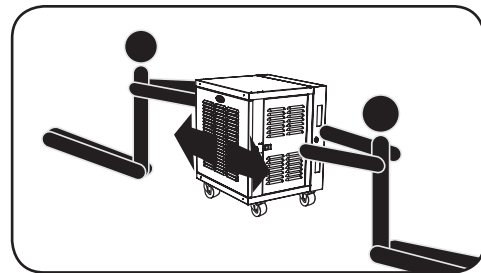


**Никогда не выдвигать из шкафа более одного компонента за один раз.**



### 4.3 Размещение

Перед распаковкой шкафа должен быть перемещен максимально близко к месту установки в своей транспортной таре. **Предупреждение:** Не толкать и не тянуть шкаф в боковом направлении, а также не тянуть шкаф на себя. Поднимать шкаф могут только опытные монтажники оборудования. Использовать соответствующее оборудование с соблюдением всех необходимых правил и нормативов по технике безопасности.

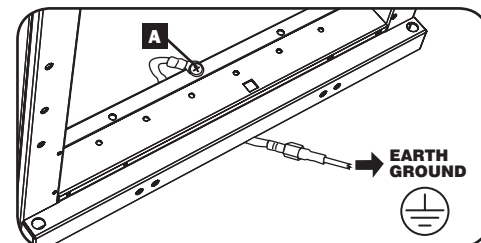


**Предупреждение: Нельзя поднимать или устанавливать шкаф без соответствующей помощи. Ни в коем случае нельзя поднимать шкаф в одиночку.**



### 4.4 Заземление

Все части шкафа заземлены на его раму. Для подключения шкафа к заземлению объекта использовать точку заземления **A** с резьбой и винтом M6 (в комплекте). Для подключения к заземлению использовать кабель 8 AWG (3,264 мм). Провод заземления прокладывается под рамой шкафа, чтобы обеспечить беспрепятственную работу дверей. **Предупреждение:** Каждый шкаф подключается к заземлению отдельно. Нельзя использовать шкаф без заземления.



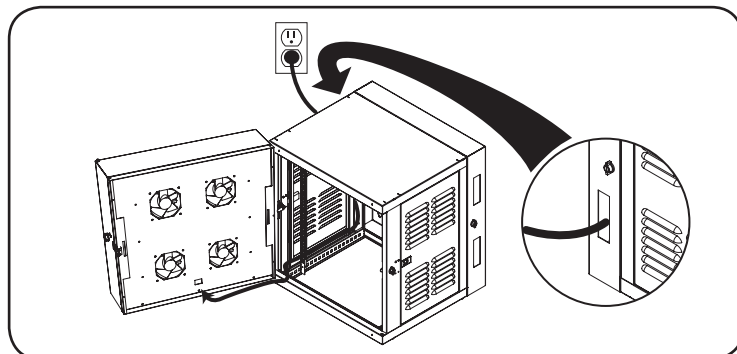
## 4. Установка шкафа (продолжение)

### 4.5 Подключение к сети переменного тока

В комплект шкафа-стойки SRW12USNEMA входит панель с 4 вентиляторами, вмонтированная в переднюю дверцу. Электропитание вентиляторов осуществляется через поставляемый в комплекте шнур питания NEMA 5-15 типа C13, подсоединяемый ко входному разъему типа C14, расположенному в нижней части дверцы. Для обеспечения полной функциональности данного устройства шнур должен быть надлежащим образом проложен и закреплен.

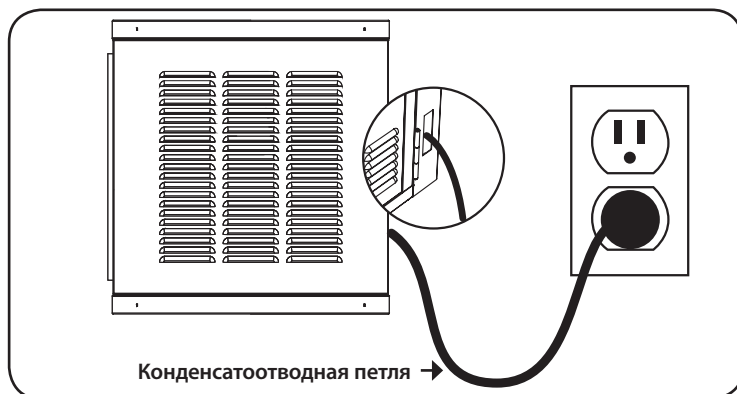
#### Прокладка шнура питания

Для обеспечения возможности открывания дверцы на полный угол и максимальной длины шнура подключите шнур питания к входному разъему C14 и протяните его вдоль днища шкафа с петлевой стороны дверцы. Шнур должен выходить из нижней прорези для прокладки кабеля с той стороны, где дверца навешивается на петли.



#### Создание конденсатоотводной петли

В целях дополнительного обеспечения безопасности, для надлежащего монтажа шкафа-стойки SRW12USNEMA часть шнура питания необходимо использовать для выполнения ниспадающей конденсатоотводной кабельной петли. Для создания конденсатоотводной кабельной петли следует обеспечить прохождение шнура питания вниз от устройства с обязательным разворотом обратно вверх к сетевой розетке, в результате чего шнур будет образовывать петлю, отводящую всю влагу как от розетки, так и от устройства.



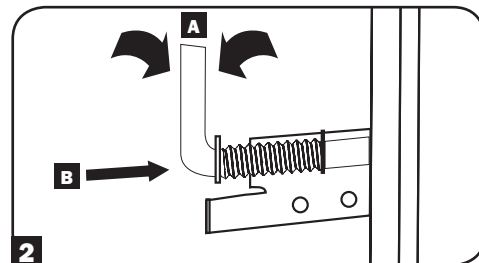
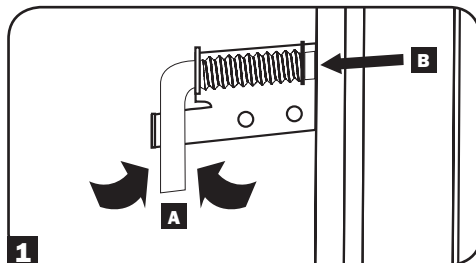
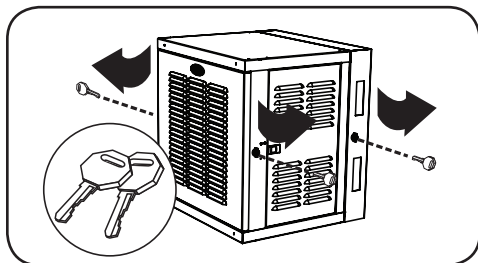
## 5. Конфигурация шкафа

До начала установки нужно спланировать расположение и порядок компонентов внутри корпуса. Все монтажные направляющие должны быть правильно размещены и отрегулированы по глубине, в зависимости от конфигурации оборудования. *Примечание. Перед началом любой переконфигурации шкафа необходимо отключить его от электропитания и вынуть все размещенное в нем оборудование.*

### 5.1 Дверные замки

Передняя и задняя двери имеют замки, которые запираются ключами из комплекта поставки. Каждая боковая панель запирается Г-образным рычагом изнутри шкафа.

- 1 Чтобы отпереть и снять боковую панель, нужно поднять вверх короткое плечо Г-образного рычага (обозначено **A**) и вытащить его из боковой панели (обозначено **B**). Потянуть за выступ на боковой панели и снять ее со шкафа.
- 2 Чтобы снова установить боковые панели, нужно установить их в правильном положении, поднять вверх короткое плечо Г-образного рычага (обозначено **A**) и, надавив его в сторону панели, вставить обратно в отверстие, в котором он был изначально (обозначено **B**). Как только рычаг займет свое место, нажать короткое плечо Г-образного рычага вниз, чтобы зафиксировать его. **Note: To lock and unlock the side panels, you will need to have access to the interior of the enclosure.**



## 5. Конфигурация шкафа (продолжение)

### 5.2 Перевешивание дверцы шкафа

Задняя дверь шкафа имеет квадратное отверстие для прохода кабелей и их организации. Дополнительный проем находится в верхней части шкафа. Каждый проем для прохода кабелей может быть закрыт съемными панелями, которые крепятся винтами.

**1** Для доступа к указанным рычажкам сначала снимите боковые панели в порядке, изложенном в разделе 5.1.

**2** Рычажки (как верхний, так и нижний), расположенные на той стороне, с которой открывается дверца, должны находиться в положении "ОТСОЕДИНЕНО", а рычажки (как верхний, так и нижний), находящиеся на противоположной стороне – т.е. той стороне, с которой она поворачивается, – должны находиться в положении "ПРИСОЕДИНЕНО".

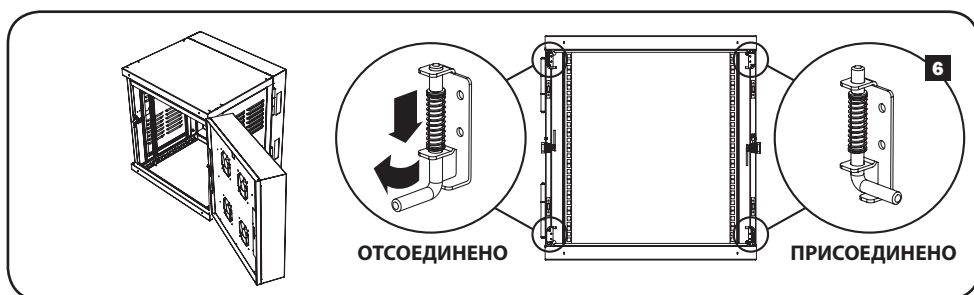
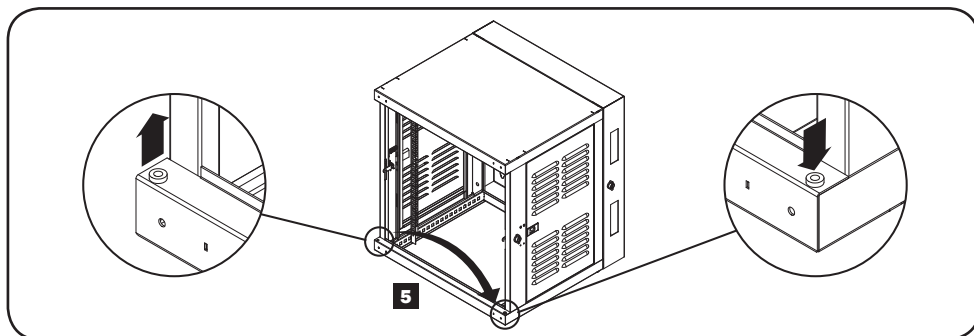
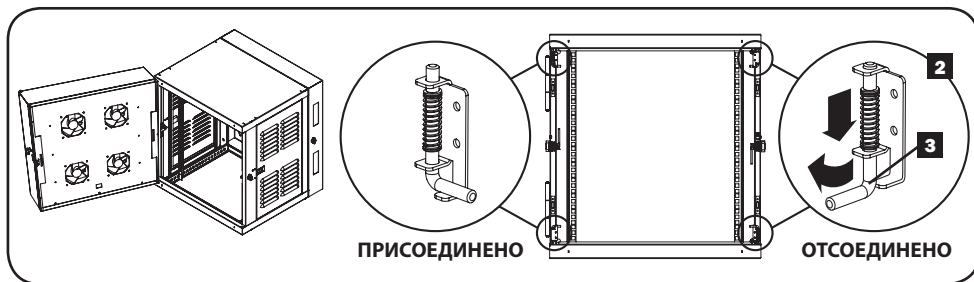
**3** Отсоедините рычажки. Рычажки находятся в положении «ОТСОЕДИНЕНО», когда короткое плечо Г-образного рычажка вынута из своей опорной направляющей. Для того чтобы вынуть короткое плечо Г-образного рычажка из опорной направляющей, отожмите его от направляющей (вверх или вниз) и поверните (в сторону дверцы или от нее) так, чтобы короткое плечо Г-образного рычажка вышло из направляющей.

**4** Снимите дверцу. Металлическая деталь представляет собой втулку, расположенную на нижнем упорном выступе рамы на той стороне, где поворачивалась дверца.

**5** Переставьте втулку с той стороны, где поворачивалась дверца, на противоположную сторону рамы и совместите ее с отверстием.

**6** Выровняйте дверцу с противоположной стороны и присоедините рычажки. Рычажки находятся в положении «ПРИСОЕДИНЕНО», когда короткое плечо Г-образного рычажка опирается на поверхность опорной направляющей. Для «ПРИСОЕДИНЕНИЯ» надавите на рычаг для сжатия пружины и вверните его в опорную направляющую. Присоединяя нижний рычажок, убедитесь в том, что он проходит через втулку.

**7** Убедитесь в том, что как верхний, так и нижний рычаги на той стороне, с которой дверца должна открываться, "ОТСОЕДИНЕНЫ", а оба рычага на той стороне, с которой она должна поворачиваться, "ПРИСОЕДИНЕНЫ". В противном случае дверца может не работать надлежащим образом, что в свою очередь может вызвать ее повреждение.

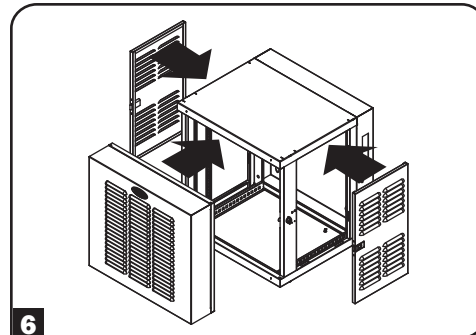
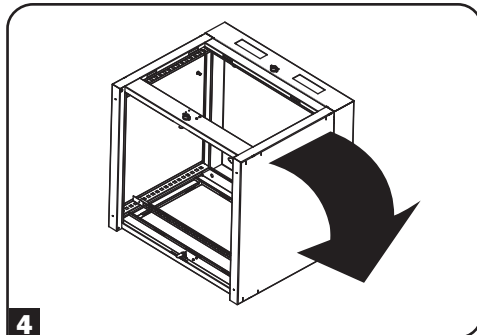
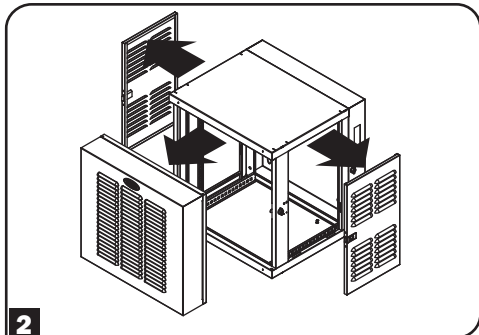


## 5. Конфигурация шкафа (продолжение)

### 5.3 Изменение направления открывания дверей

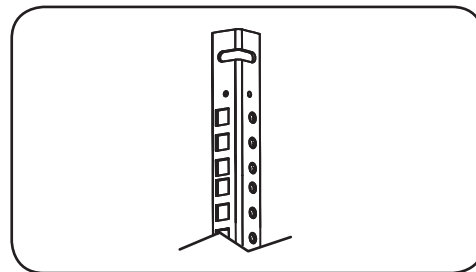
С целью реализации различных вариантов стоечного монтажа предусматривается возможность перевертывания всего шкафа целиком.

- 1 Снимите боковые панели в порядке, изложенном в разделе 5.1.
- 2 Снимите переднюю дверцу, поместив все четыре Г-образных рычажка в положение "ОТСОЕДИНЕНО" и отстранив ее от шкафа.
- 3 Снимите металлическую втулку, описанную в разделе 5.2.
- 4 Переверните шкаф.
- 5 Переставьте металлическую втулку в порядке, указанном в разделе 5.2.
- 6 Установите переднюю дверцу и боковые панели обратно на свои места.



### 5.4 Монтажные направляющие

Шкаф поставляется с монтажными направляющими, которые имеют как квадратные, так и резьбовые отверстия для монтажа стоечного оборудования. Для установки оборудования используются закладные гайки и другие крепежные элементы. (Установка закладных гаек описана на стр. 7). **Предупреждение:** Перед установкой любого оборудования в шкаф нужно убедиться, что он надежно закреплен на стене или на полу в месте своей окончательной установки. Кроме того, перед установкой оборудования нужно выполнить все необходимые регулировки монтажных направляющих. (Регулировка глубины монтажных направляющих описана ниже).

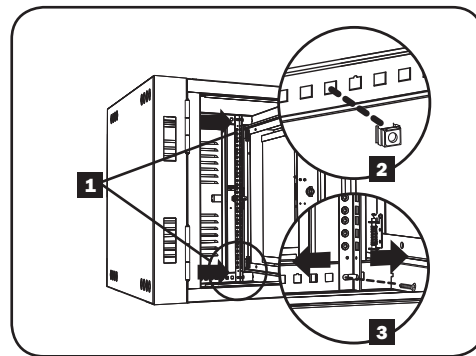


### 5.5 Регулировка глубины монтажных направляющих

**Предупреждение:** Если в шкаф установлено оборудование, регулировку направляющих выполнять нельзя. Нельзя использовать направляющие без установленных винтов. (по 2 на каждую направляющую.)

4 монтажные направляющие предварительно установлены для размещения оборудования с монтажной глубиной в 20,5 дюйма (521 мм). Не нужно регулировать направляющие, если для оборудования не требуется другая монтажная глубина. Передние и задние наборы направляющих можно регулировать независимо друг от друга с шагом в 1/4 дюйма (6 мм), что позволяет выбрать глубины для монтажа от 3 дюймов (76 мм) до 20,5 дюйма (521 мм).

- 1 Каждая из направляющих прикреплена к корпусу с помощью 2 винтов и 2 закладных гаек – по одному комплекту в верхнем и нижнем углах. С помощью крестовой отвертки выверните винты, обеспечивающие крепление направляющих к корпусу.
- 2 Переместите закладные гайки на нужную глубину и повторно установите направляющие.
- 3 Переместить монтажные направляющие на нужную глубину и снова закрепить их с помощью винтов, извлеченных в шаге 1.



### 5.6 Очистка/замена воздушных фильтров

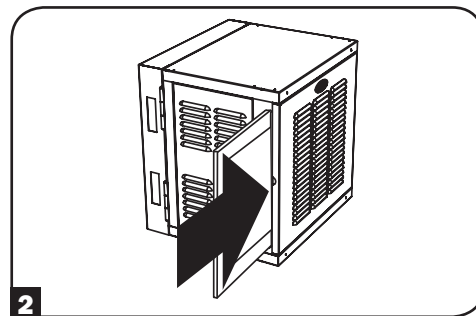
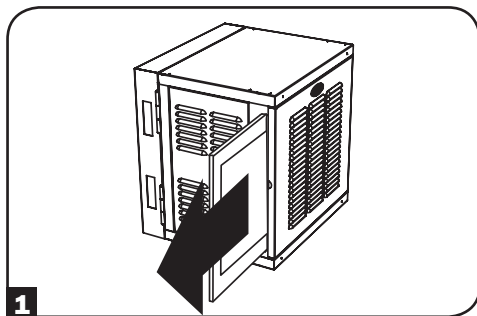
Шкаф SRW12USNEMA поставляется в комплекте с пылеулавливающими фильтрами, установленными в передней дверце. Для него предусмотрены стандартные фильтры размером 20" x 24", продающиеся в большинстве магазинов бытовых товаров. Для снятия фильтров с целью очистки или замены:

- 1 Найдите фильтр, расположенный на левой стороне дверцы, и осторожно вытяните его наружу.

Для замены фильтра:

- 2 Совместите фильтр с прорезью в дверце и задвигайте его внутрь кармана до упора.

*Примечание.* Часть фильтра остается снаружи дверцы для облегчения последующей выемки.



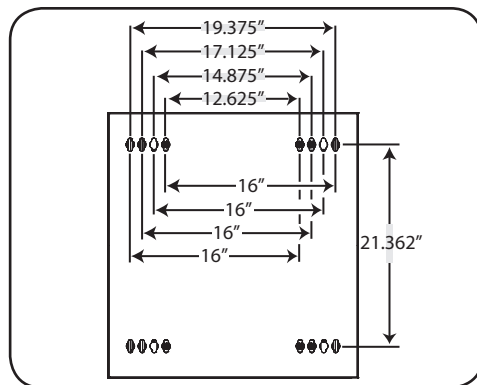
## 6. Монтаж шкафа на стену

**Предупреждение:** Нельзя выполнять монтаж шкафа на стену вместе с установленным в нем оборудованием.

### 6.1 Монтаж

На задней двери шкафа имеются 16 монтажных проемов. Каждый проем предназначен для крепления болтами М10 или 3/8". Расстояния между центрами проемов начинаются с двух внутренних отверстий и составляют соответственно 12,625" (320 мм), 14,875" (378 мм), 17,125" (435 мм) и 19,375" (492 мм) друг от друга соответственно, двигаясь наружу по горизонтали. По вертикали расстояния между центрами проемов составляют 21,362" (543 мм), как показано на рисунке.

С помощью уровня измерить точное положение точек крепления. Для крепления шкафа к стене использовать соответствующий крепеж (в комплект не входит). **Предупреждение:** Область, которая планируется для монтажа шкафа, должна быть в состоянии выдержать вес шкафа и всего смонтированного в нем оборудования. Масса шкафа и его нагрузочная способность приведены в технических характеристиках на стр. 32.

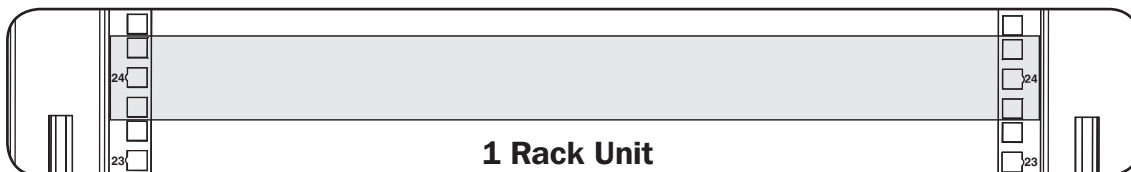


## 7. Установка оборудования

**Предупреждение:** Устанавливать оборудование нельзя, пока не обеспечено устойчивое положение корпуса шкафа. Тяжелое оборудование устанавливается первым и на нижние позиции шкафа. Устанавливать оборудование нужно начиная с нижней части шкафа и продолжать в направлении к верхней части - и никогда не наоборот. Если используются салазки для оборудования, следует соблюдать осторожность при их раздвижении. Не следует выдвигать одновременно более одного комплекта направляющих для оборудования. Следует избегать выдвигания оборудования в верхней части шкафа.

*Примечание:* данный модуль поставляется в комплекте с винтами двух различных типов (черного и серебристого цветов) для монтажа оборудования. Монтажные винты черного цвета следует использовать в том случае, если вы крепите свое оборудование к той стороне монтажной направляющей, которая снабжена квадратными отверстиями. Монтажные винты серебристого цвета следует использовать в том случае, если вы крепите свое оборудование к той стороне монтажной направляющей, которая снабжена резьбовыми отверстиями.

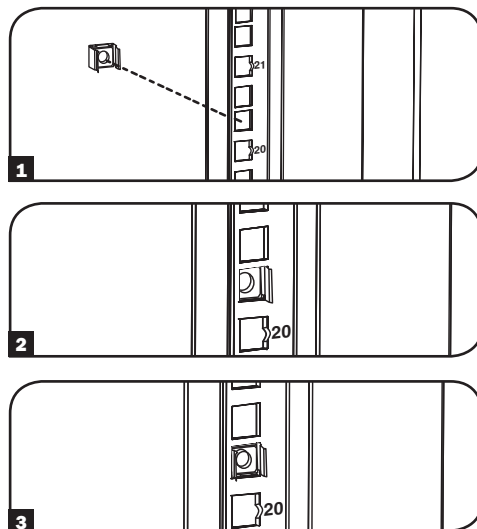
*Примечание:* Квадратные отверстия в середине каждой стойки пронумерованы, а также имеют небольшой надрез в целях идентификации. Одно монтажное место занимает в стойке пространство между пронумерованными отверстиями с соседними номерами.



### 7.1 Установка или удаление закладных гаек

**ВНИМАНИЕ:** Фланцы закладных гаек должны находиться по бокам квадратных отверстий в направляющей, а не вверху и внизу. Для обеспечения правильной установки оборудования следует соблюдать инструкции, приведенные в документации к оборудованию.

- 1** Найти номер квадратного отверстия в монтажной направляющей, куда планируется установить оборудование. Закладные гайки (в комплекте) будут устанавливаться в квадратные отверстия, чтобы обеспечить точки крепления для винтов (в комплекте).  
*Примечание:* Используя документацию к оборудованию, определить необходимое количество и места установки гаек.
- 2** Вставить один из фланцев закладной гайки в квадратное отверстие с внутренней стороны монтажной направляющей. Нажать на нее, чтобы выровнять с краем квадратного отверстия. Каждый фланец должен находиться с боковой стороны квадратного отверстия, а не вверху или внизу.
- 3** Слегка сжать закладную гайку по бокам, чтобы оставшаяся часть фланца прошла в квадратное отверстие. Когда закладная гайка установлена правильно, оба фланца будут проходить насквозь через квадратное отверстие и будут видны на внешней стороне монтажной направляющей. Повторить шаги 1-3 для установки всех необходимых закладных гаек.



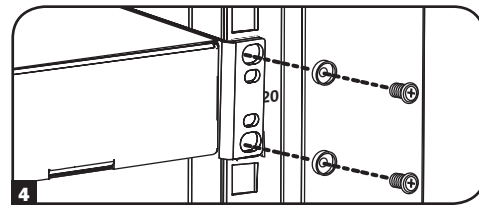
## 7. Установка оборудования (продолжение)

- После установки необходимых закладных гаек прикрепите свое оборудование к стоечной направляющей с помощью поставляемых в комплекте монтажных винтов черного цвета и чашеобразных шайб. Поместите чашеобразные шайбы между винтами и монтажными кронштейнами для крепления оборудования.

*Примечание: В комплект поставки оборудования также может входить крепеж для монтажа. Перед установкой оборудования нужно прочитать инструкции по монтажу, поставляемые вместе с оборудованием.*

**Чтобы удалить закладные гайки, выполнить действия 1-3 в обратном порядке**

*Примечание: Для облегчения установки и удаления закладных гаек можно также использовать специальный инструмент (приобретается пользователем самостоятельно).*

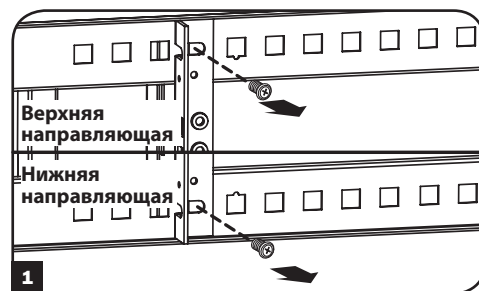


### 7.2 Альтернативные возможности монтажа: монтажная направляющая с резьбовыми отверстиями

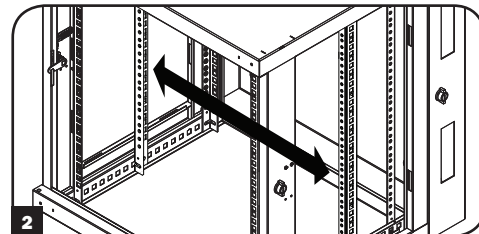
**Внимание: не пытайтесь регулировать направляющие при установленном в шкаф оборудовании. Не пытайтесь использовать направляющие без установки винтов (по 2 на каждую направляющую).**

На заводе-изготовителе монтажные направляющие установлены под крепление оборудования с использованием той стороны направляющей, которая снабжена квадратными отверстиями. Для перехода на использование той стороны монтажной направляющей, которая снабжена резьбовыми отверстиями, необходимо выполнить следующие действия:

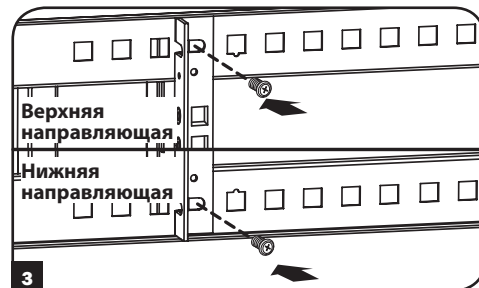
- Каждая направляющая прикреплена к корпусу шкафа при помощи двух винтов, один из которых располагается в верхнем углу, а другой – в нижнем. С помощью крестообразной отвертки выверните винты, которые крепят направляющие к корпусу шкафа.



- Поменяйте расположение направляющих. Убедитесь в том, что каждая из направляющих располагается таким образом, что ее сторона с резьбовыми отверстиями обращена к передней дверце.

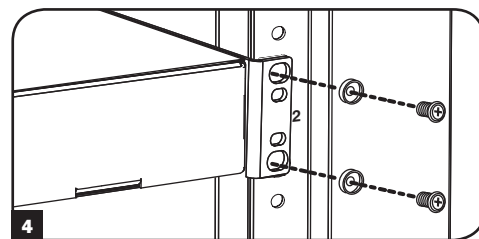


- Повторно закрепите монтажные направляющие.



- Прикрепите оборудование к стоечным направляющим с использованием входящих в комплект монтажных винтов серебристого цвета. Поместите чашеобразные шайбы между винтами и монтажными кронштейнами для крепления оборудования.

*Примечание: ваше оборудование также может поставляться в комплекте с монтажными приспособлениями. Перед установкой своего оборудования ознакомьтесь с указаниями по монтажу, поставляемыми в комплекте с ним.*



## 8. Технические характеристики

Модель	SRW12USNEMA
Габаритные размеры (В x Ш x Г)	25 x 23,63 x 21,6" (635 x 600 x 549 мм)
Масса	27 кг
Нагрузочная способность*	90 кг (в стационарном состоянии)
Монтажная глубина (регулируется)	От 76 до 521 мм

\* При полной нагрузке шкафа стена, на которую производится монтаж, должна быть способна нести эту нагрузку. Для перемещения шкафа с оборудованием необходим дополнительный набор принадлежностей SRCASTER.

## 9. Хранение и обслуживание

### Хранение

Шкаф должен находиться в помещении с регулируемыми параметрами микроклимата. Не допускается повышенная влажность, перепады температур, наличие горючих жидкостей и газов, токопроводящих веществ, пыли и попадание прямых солнечных лучей. По возможности нужно хранить шкаф в оригинальной транспортной таре.

### Сервисное обслуживание

На продукцию компании Tripp Lite дается ограниченная гарантия, условия которой изложены в настоящем руководстве. Также доступны различные программы продлеваемой гарантии и обслуживания на объекте от компании Tripp Lite. Для получения более подробной информации о сервисном обслуживании посетите веб-сайт компании [www.tripplite.com/support](http://www.tripplite.com/support). Перед возвратом продукции для обслуживания, выполните следующие действия:

1. Просмотрите инструкции по установке и эксплуатации, изложенные в настоящем руководстве, чтобы убедиться, что проблемы происходят не из-за неправильного понимания инструкций.
2. Если проблема сохраняется, не обращайтесь и не возвращайте изделие торговому посреднику. Вместо этого посетите веб-сайт [www.tripplite.com/support](http://www.tripplite.com/support).
3. Если для решения проблемы требуется ремонт, посетите веб-сайт [www.tripplite.com/support](http://www.tripplite.com/support) и перейдите по ссылке Product Returns (возврат продукции). Здесь можно сделать запрос о номере разрешения на возврат (RMA), который необходим для ремонта. В этой простой интерактивной форме нужно будет заполнить номер модели устройства и его серийный номер, а также общую информацию о покупателе. Номер RMA вместе с инструкциями по отправке будет выслан по электронной почте. Любые повреждения продукции (прямые, косвенные, умышленные или побочные), полученные в результате транспортировки в компанию Tripp Lite или в уполномоченный сервисный центр, гарантией не покрываются. Транспортировка продукции в компанию Tripp Lite или авторизованный сервисный центр должна быть оплачена отправителем. На внешней стороне упаковки нанесите номер разрешения на возврат. Если продукт находится на гарантии, вложите копию чека или документа на приобретение. Доставку продукции для обслуживания осуществляйте через застрахованных перевозчиков по адресу, полученному вместе с разрешением на возврат.

## 10. Гарантийные обязательства и регистрация гарантии

### Ограниченная гарантия 5 лет

Продавец гарантирует для данного продукта отсутствие дефектов в материалах и технологиях в течение 5 лет от даты первичной продажи при условии использования его в соответствии со всеми применимыми инструкциями. В случае выявления дефектов, связанных со свойствами материала или качеством изготовления данного изделия в течение указанного периода, продавец обязуется, по своему усмотрению, провести за свой счет его ремонт или замену.

ЭТА ГАРАНТИЯ НЕ РАСПРОСТРАНЯЕТСЯ НА НОРМАЛЬНЫЙ ИЗНОС ИЛИ ПОВРЕЖДЕНИЕ ПРОДУКТА В РЕЗУЛЬТАТЕ НЕСЧАСТНОГО СЛУЧАЯ, НЕПРАВИЛЬНОГО ИСПОЛЬЗОВАНИЯ, НЕБРЕЖНОГО ОБРАЩЕНИЯ ИЛИ ПРЕНЕБРЕЖЕНИЯ ПРАВИЛАМИ ЭКСПЛУАТАЦИИ. ПРОДАВЕЦ НЕ ЗАЯВЛЯЕТ НИКАКИХ ГАРАНТИЙ, КРОМЕ ЯВНО ВЫРАЖЕННЫХ ЗДЕСЬ. ЗА ИСКЛЮЧЕНИЕМ ОГРАНИЧЕНИЙ, ЗАПРЕЩЕННЫХ ДЕЙСТВУЮЩИМ ЗАКОНОДАТЕЛЬСТВОМ, ВСЕ ПОДРАЗУМЕВАЕМЫЕ ГАРАНТИИ, ВКЛЮЧАЯ ВСЕ ГАРАНТИИ ПРИГОДНОСТИ К ПРОДАЖЕ ИЛИ ГОДНОСТИ ДЛЯ КОНКРЕТНОГО ПРИМЕНЕНИЯ, ОГРАНИЧЕНЫ ПО СРОКУ ДЕЙСТВИЯ ГАРАНТИЙНЫМ ПЕРИОДОМ, УКАЗАННЫМ ВЫШЕ; И ЭТА ГАРАНТИЯ ЯВНО ИСКЛЮЧАЕТ ВСЕ СЛУЧАЙНЫЕ ИЛИ ПОБОЧНЫЕ ПОВРЕЖДЕНИЯ. (Применимое законодательство некоторых стран запрещает ограничение срока действия подразумеваемой гарантии; в других странах запрещено исключение или ограничение действия гарантии в отношении случайных или последующих повреждений. В связи с этим, вышеперечисленные ограничения и исключения действия настоящей гарантии могут оказаться неприменимыми в вашем конкретном случае. Настоящая гарантия предоставляет вам определенные юридические права, которые могут быть дополнены другими правами в зависимости от юрисдикции).

**ВНИМАНИЕ:** Перед использованием настоящего изделия каждый пользователь должен самостоятельно определить степень его пригодности для предполагаемого применения, а также степень безопасности такого применения. Так как настоящее изделие имеет множество индивидуальных применений, производитель не дает гарантийных обязательств в отношении пригодности настоящих изделий для тех или иных конкретных применений.

### Регистрация гарантии

Посетите веб-сайт [www.tripplite.com/warranty](http://www.tripplite.com/warranty) сегодня и зарегистрируйте гарантию для своего нового продукта компании Tripp Lite. Вы будете автоматически принимать участие в розыгрыше бесплатного продукта от компании Tripp Lite!\*

\* Не нужно ничего приобретать. Не делайте, если это запрещено. Применяются некоторые ограничения. Подробности приведены на веб-сайте.

Политика компании Tripp Lite состоит в непрерывном усовершенствовании. Технические характеристики могут изменяться без уведомления.



1111 Запад, 35-я улица, Чикаго, Иллинойс 60609, США • [www.tripplite.com/support](http://www.tripplite.com/support)