

**Warranty  
Registration:**  
register online today for a  
chance to win a FREE Tripp Lite  
product—[www.tripplite.com/warranty](http://www.tripplite.com/warranty)



# Owner's Manual

## SmartOnline™ Single-Phase 5kVA–6kVA

### Intelligent True On-Line UPS Systems (Rackmount/Tower)

- Includes UPS system with internal battery system (5&6kVA), detachable PDU and detachable parallel PDU modules (6kVA) • Rackmount and tower adaptable

*Not suitable for mobile applications.*

<b>Important Safety Warnings</b>	<b>2</b>
<b>Mounting</b>	<b>3</b>
<b>Features</b>	<b>4</b>
<b>Connection</b>	<b>9</b>
<b>Optional Connection</b>	<b>12</b>
<b>Manual Bypass Operation</b>	<b>14</b>
<b>Operation</b>	<b>15</b>
<b>Internal Battery Replacement</b>	<b>28</b>
<b>Storage and Service</b>	<b>29</b>
<b>Warranty and Warranty Registration</b>	<b>29</b>
<b>Español</b>	<b>30</b>
<b>Français</b>	<b>59</b>
<b>Русский</b>	<b>88</b>



1111 W. 35th Street, Chicago, IL 60609 USA • [www.tripplite.com/support](http://www.tripplite.com/support)

Copyright © 2012 Tripp Lite. All rights reserved. SmartOnline is a trademark of Tripp Lite.

# Important Safety Warnings



SAVE THESE INSTRUCTIONS. This manual contains important instructions and warnings that should be followed during the installation and maintenance of this product. Failure to heed these warnings may affect your warranty.

## UPS Location Warnings

- Install your UPS in a structurally sound area. Your UPS is extremely heavy; take care when moving and lifting the unit.
- Only operate your UPS at indoor temperatures between 32° F and 104° F (between 0° C and 40° C). For best results, keep indoor temperatures between 62° F and 84° F (between 17° C and 29° C).
- Leave adequate space around all sides of the UPS for proper ventilation.
- Do not install the UPS near magnetic storage media, as this may result in data corruption.
- **Do not mount unit with its front or rear panel facing down (at any angle). Mounting in this manner will seriously inhibit the unit's internal cooling, eventually causing product damage not covered under warranty.**

## UPS Connection Warnings

- Isolate the UPS before working on this circuit.
- The power supply for this unit must be single-phase rated in accordance with the equipment nameplate. It also must be suitably grounded.

## Equipment Connection Warnings

- Use of this equipment in life support applications where failure of this equipment can reasonably be expected to cause the failure of the life support equipment or to significantly affect its safety or effectiveness is not recommended. Do not use this equipment in the presence of a flammable anesthetic mixture with air, oxygen or nitrous oxide.
- Connect your UPS power module's grounding terminal to a grounding electrode conductor.
- The UPS is connected to a DC energy source (battery). The output terminals may be live even when the UPS is not connected to an AC supply.

## Maintenance Warnings

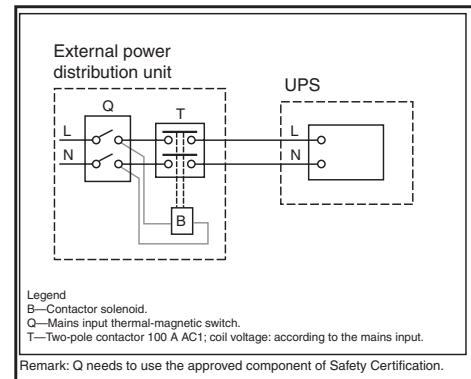
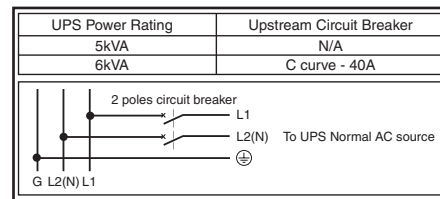
- Your UPS power module and battery module(s) do not require routine maintenance. Do not open them for any reason. There are no user-serviceable parts inside.

## Battery Warnings

- Connect only Tripp Lite battery modules (of the correct type and voltage) to your UPS power module's external battery connector.
- Batteries can present a risk of electrical shock and burn from high short-circuit current. Observe proper precautions. Do not dispose of the batteries in a fire. Do not open the UPS or batteries. Do not short or bridge the battery terminals with any object. Unplug and turn off the UPS before performing battery replacement. Use tools with insulated handles. There are no user-serviceable parts inside the UPS. Battery replacement should be performed only by authorized service personnel using the same number and type of batteries (Sealed Lead-Acid). The batteries are recyclable. Refer to your local codes for disposal requirements or visit [www.tripplite.com/UPSbatteryrecycling](http://www.tripplite.com/UPSbatteryrecycling) for recycling information. Tripp Lite offers a complete line of UPS System Replacement Battery Cartridges (R.B.C.). Visit Tripp Lite on the Web at [www.tripplite.com/support/battery/index.cfm](http://www.tripplite.com/support/battery/index.cfm) to locate the specific replacement battery for your UPS.
- Fuses should be replaced only by factory authorized personnel. Blown fuses should be replaced only with fuses of the same number and type.
- Service and repair should be done only by trained personnel. Prior to any service work performed on hardwired power modules, they should be turned off or manually bypassed via the transformer. Prior to any service work performed on power modules that plug directly into wall outlets, they should be turned off and unplugged. Note that potentially lethal voltages exist within this unit as long as the battery supply is connected.
- Do not connect or disconnect battery module(s) while the UPS is operating from the battery supply or when the transformer module is not in bypass mode (if your UPS system includes a transformer module with a bypass switch).
- During "hot-swap" battery module replacement your UPS will be unable to provide battery backup in the event of a blackout.
- Only connect compatible battery module(s).

## Required Protective Devices and Cable Cross-Sections

### Recommended upstream protection



# Mounting

Mount your equipment in either a 4-post or 2-post rack or rack enclosure. The user must determine the fitness of hardware and procedures before mounting. If hardware and procedures are not suitable for your application, contact the manufacturer of your rack or rack enclosure. The procedures described in this manual are for common rack and rack enclosure types and may not be appropriate for all applications.

## 4-Post Mounting

**1** The included plastic pegs **A** will temporarily support the empty rackmount shelves **B** while you install the permanent mounting hardware. Insert a peg near the center of the front and rear bracket of each shelf as shown. (Each front bracket has 6 holes and each rear bracket has 3 holes.) The pegs will snap into place.

After installing the pegs, expand each shelf to match the depth of your rack rails. The pegs will fit through the square holes in the rack rails to support the shelves. Refer to the rack unit labels to confirm that the shelves are level in all directions. **Note: The support ledge of each shelf must face inward.**

**2** Secure the shelves **B** to the mounting rails permanently using the included screws and cup washers **C** as shown.

- For 4U equipment mounting, place 6 screws total at the front and 4 screws total at the back.

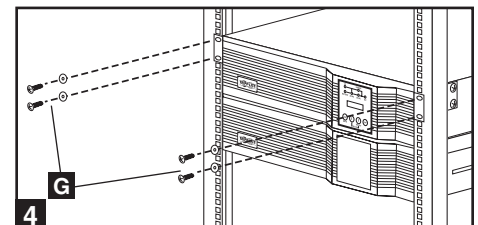
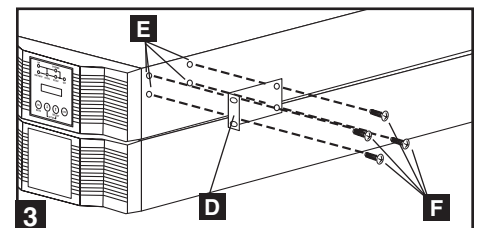
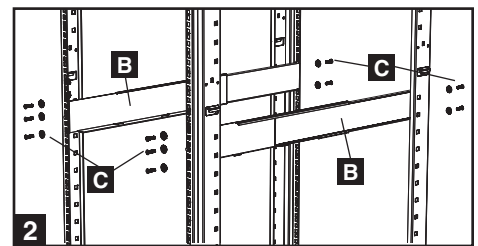
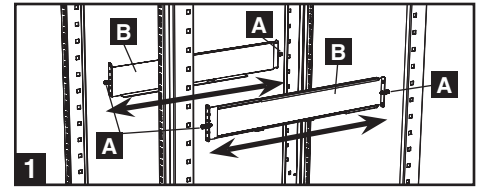
Tighten all screws before proceeding.

**Warning: Do not attempt to install your equipment until you have inserted and tightened the required screws. The plastic pegs will not support the weight of your equipment.**

**3** Attach mounting ears **D** to the front mounting holes of your equipment **E** using the screws provided **F**. The ears should face forward.

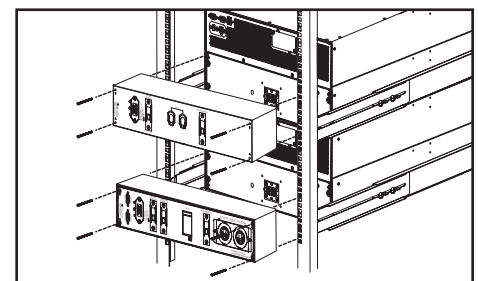
Note: It is recommended that you remove the internal batteries of the UPS prior to installation. This will remove excess weight and will allow safer handling of equipment. See Internal Battery Replacement section for battery removal instructions.

**4** Using an assistant, lift your equipment and slide it onto the mounting shelves. Attach your equipment to the rack by passing the screws, nuts and washers (user-provided) **G** through its mounting ears and into the rack rails. Be sure to use separate rack rails for each individual component.



## 12kVA UPS Configuration—SU12KRT4UHW Only (Using 2 6kVA Power Modules)

See manual included with parallel PDU for SU12KRT4UHW Mounting.



## 2-Post Mounting (Optional)

To mount your 5kVA or 6kVA UPS in a 2-post rack, you must purchase a Tripp Lite 2-Post Rackmount Installation Kit (model: 2POSTRMKITHD, sold separately) for each power module and battery pack installed. See the Installation Kit's owner's manual for complete mounting instructions.

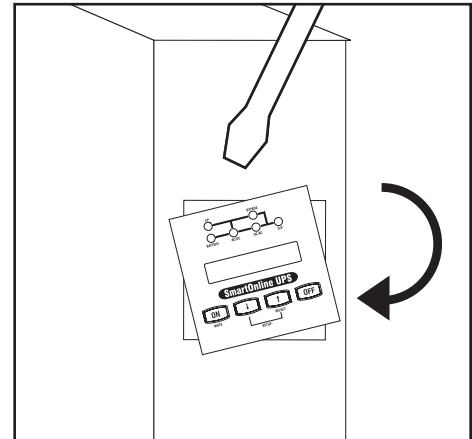
Note: 2-post mounting is not recommended for 12kVA UPS systems.

# Mounting

## Tower Mounting

To mount the UPS in an upright (tower) position, Tripp Lite's 2-9USTAND accessory is required (sold separately).

Once mounted, rotate the power module's Control Panel for easier viewing while the UPS is upright. Insert a small screwdriver, or other tool, in the slots on either side of the Control Panel. Pop the panel out, rotate it, and pop the panel back into place.

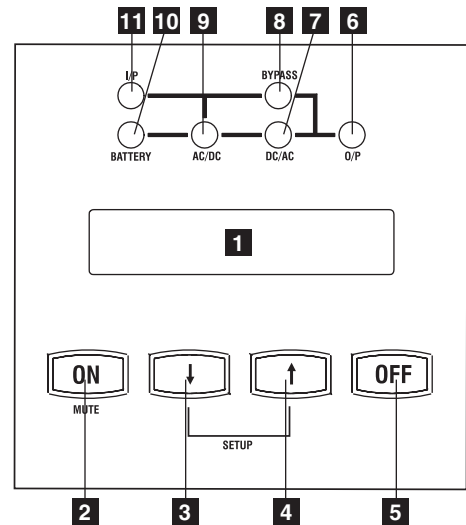


# Features

Before installing and operating your UPS, familiarize yourself with the location and function of the features of each component.

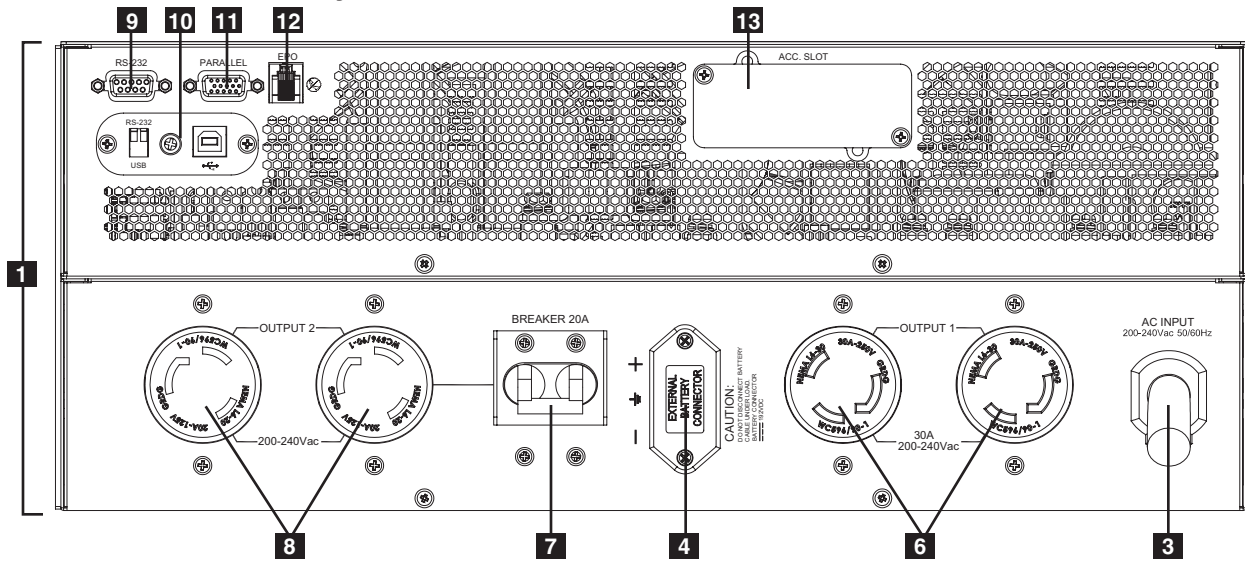
## Power Module Front Panel Controls

- LCD DISPLAY:** This backlit (16 × 2 character) dot matrix display indicates a wide range of UPS operating conditions and diagnostic data. It also displays UPS settings and options when the UPS is in setup mode.
- ON/MUTE BUTTON:** Press this button and hold it until you hear a beep to turn the UPS system's inverter ON. If the UPS's battery alarm is sounding, press this button to silence it.
- SCROLL DOWN/EXIT SETUP BUTTON:** This button allows you to browse through different options and power readings on the LCD display. Momentarily pressing it causes the LCD screen to display a different power reading (see "Operation" section). Pressing it and the SCROLL UP button together puts the UPS in setup mode, where this button is used to scroll through setup options and to exit setup mode.
- SCROLL UP/SELECT BUTTON:** This button allows you to browse through different options and power readings on the LCD display. Momentarily pressing it causes the LCD screen to display a different power reading (see "Operation" Section). Pressing it and the SCROLL DOWN button together puts the UPS in setup mode, where this button is used to select setup options.
- OFF BUTTON:** Press this button until you hear a beep to turn the UPS system's inverter OFF.
- O/P (OUTPUT) LED:** This green light will illuminate to indicate your UPS is supplying AC power to connected equipment.
- DC/AC (INVERTER) LED:** This green light will illuminate to indicate the UPS's DC/AC inverter is activated.
- BYPASS LED:** This yellow light will flash when the UPS is providing filtered mains power without engaging the converter or inverter. If this LED is flashing, connected equipment will not receive battery power in the event of a blackout. If Economy Mode is enabled, this LED will be on solid and the connected equipment will receive power in the event of a blackout.
- AC/DC (Converter) LED:** This green light will illuminate to indicate the UPS's AC/DC converter is charging the connected battery pack(s).
- BATTERY LED:** This green light will illuminate when the UPS is discharging the battery to provide connected equipment with AC power. An alarm will sound which can be silenced by pressing the ON/MUTE button. This LED will remain lit after the alarm is silenced.
- I/P (INPUT) LED:** This green light will illuminate to indicate an AC input supply is present.

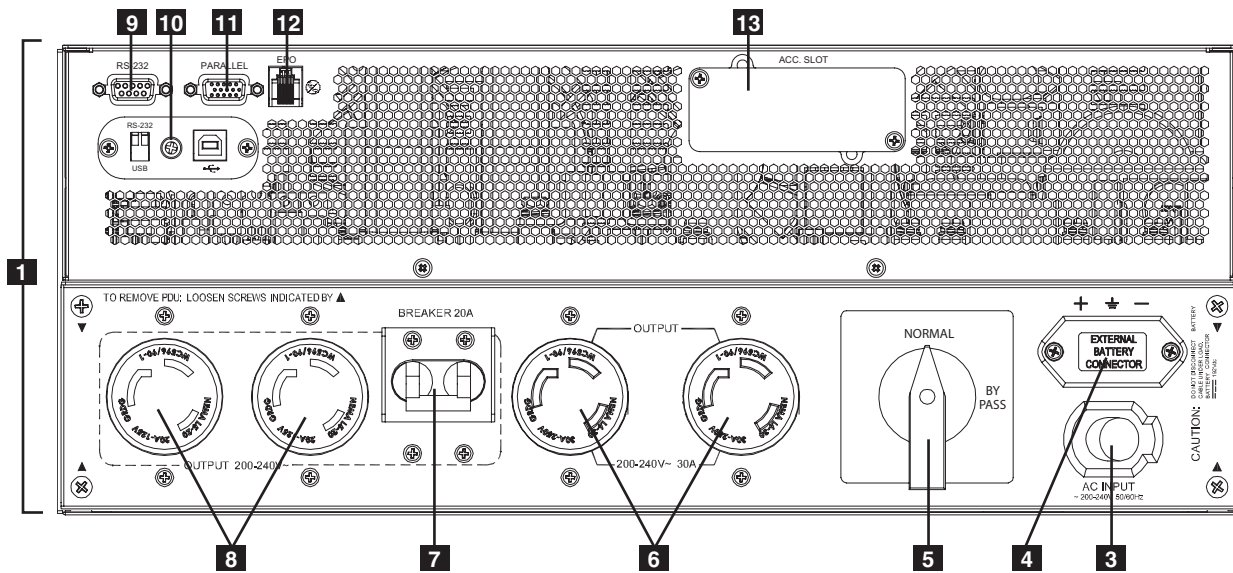


# Features (Rear Panel) See "Features" section for feature descriptions

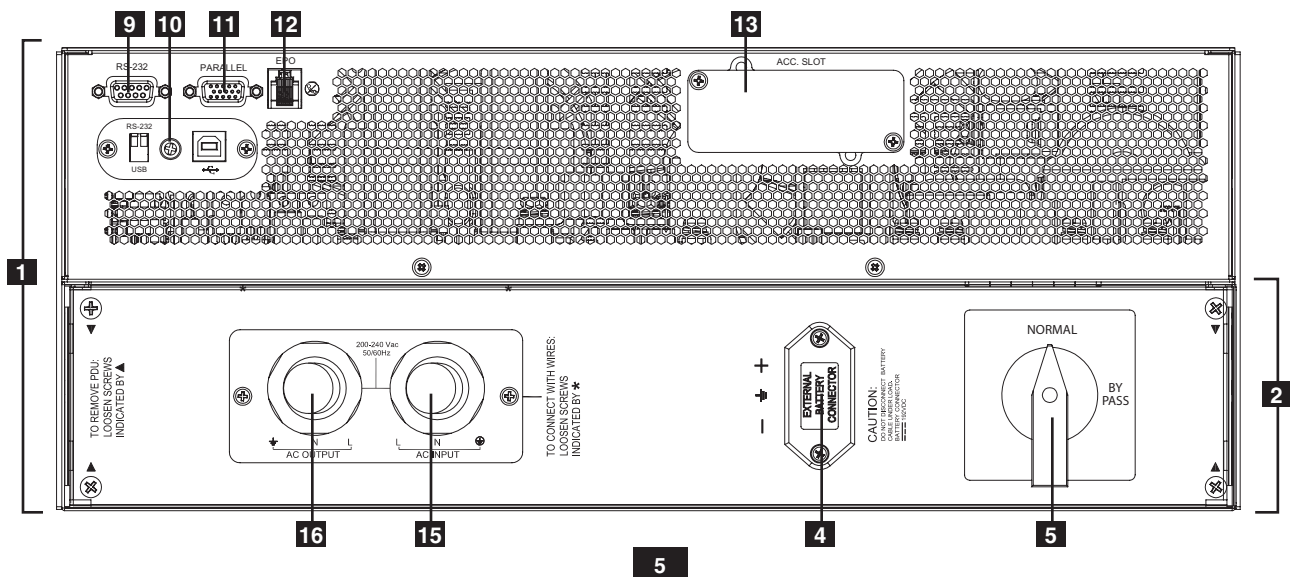
## SU5000RT4UHV—5kVA UPS System



## SU6000RT4UHV—6kVA UPS System with NEMA PDU

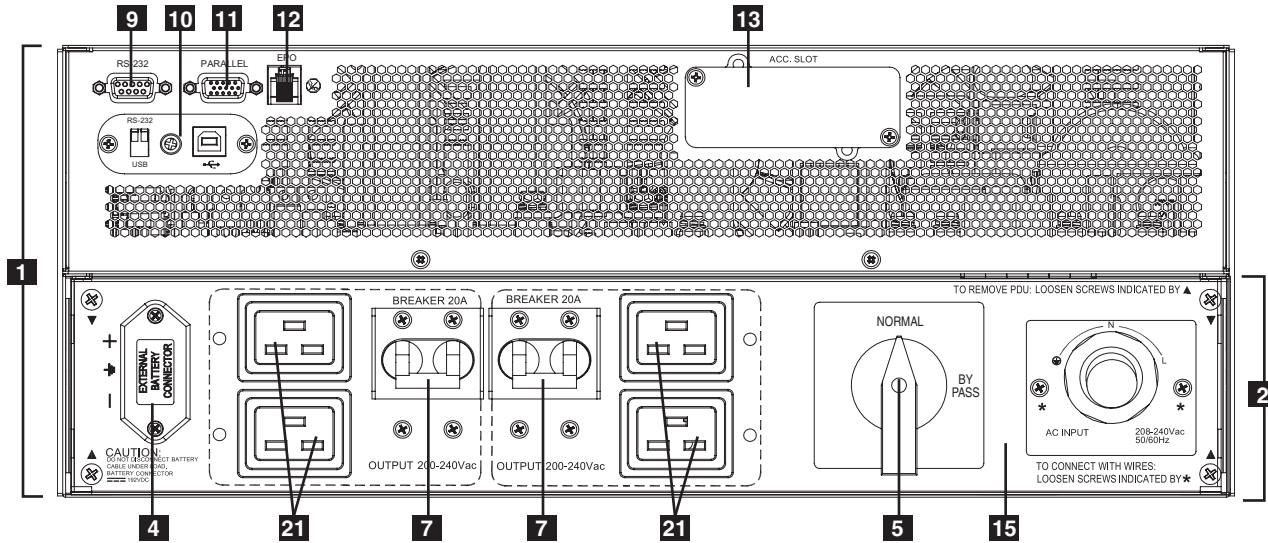


## SU6000RT4UHVHW—6kVA UPS System with Hardwire PDU



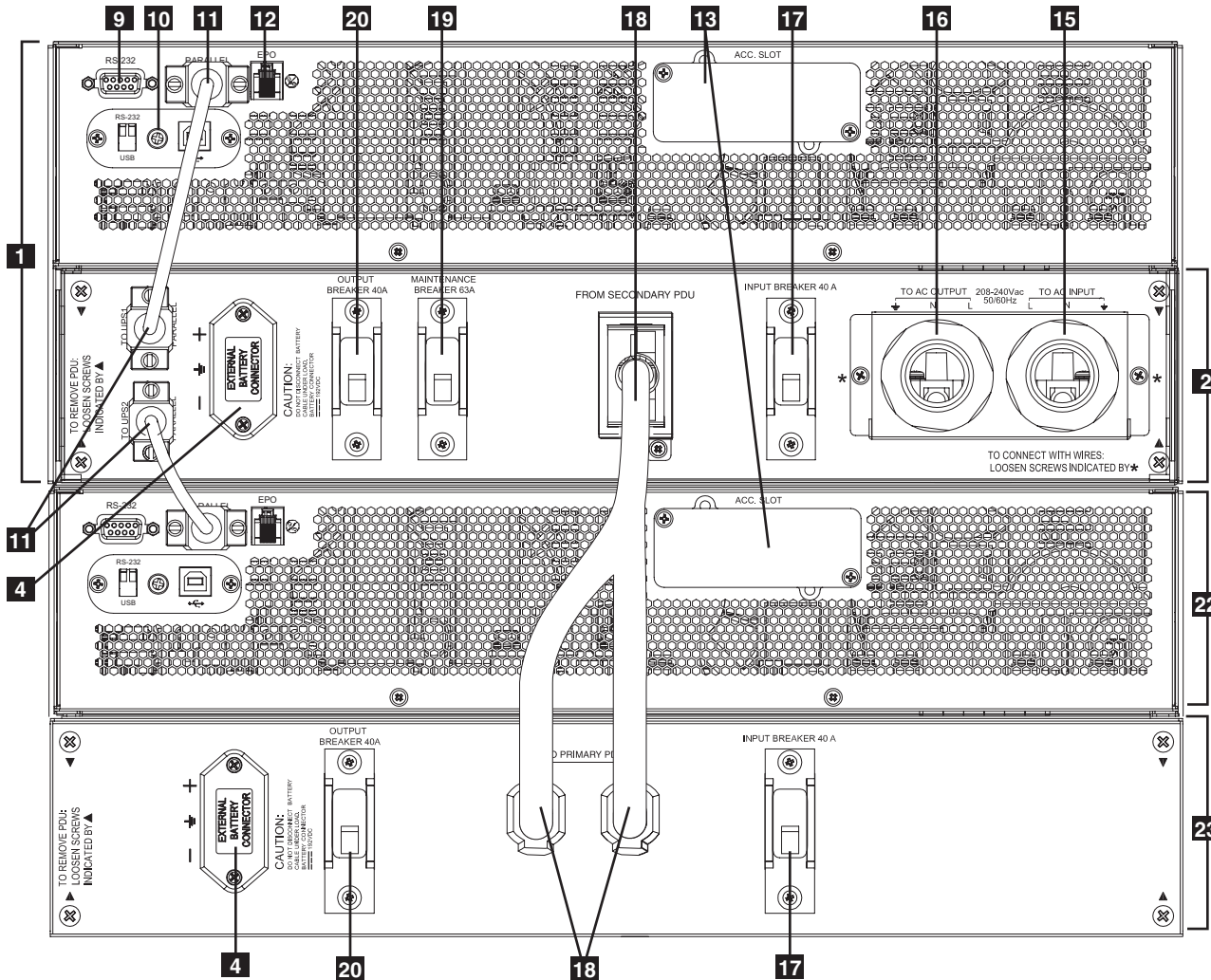
# Features (Rear Panel) (continued) See "Features" section for feature descriptions

## SU6000RT4UHV—6kVA UPS System with IEC PDU



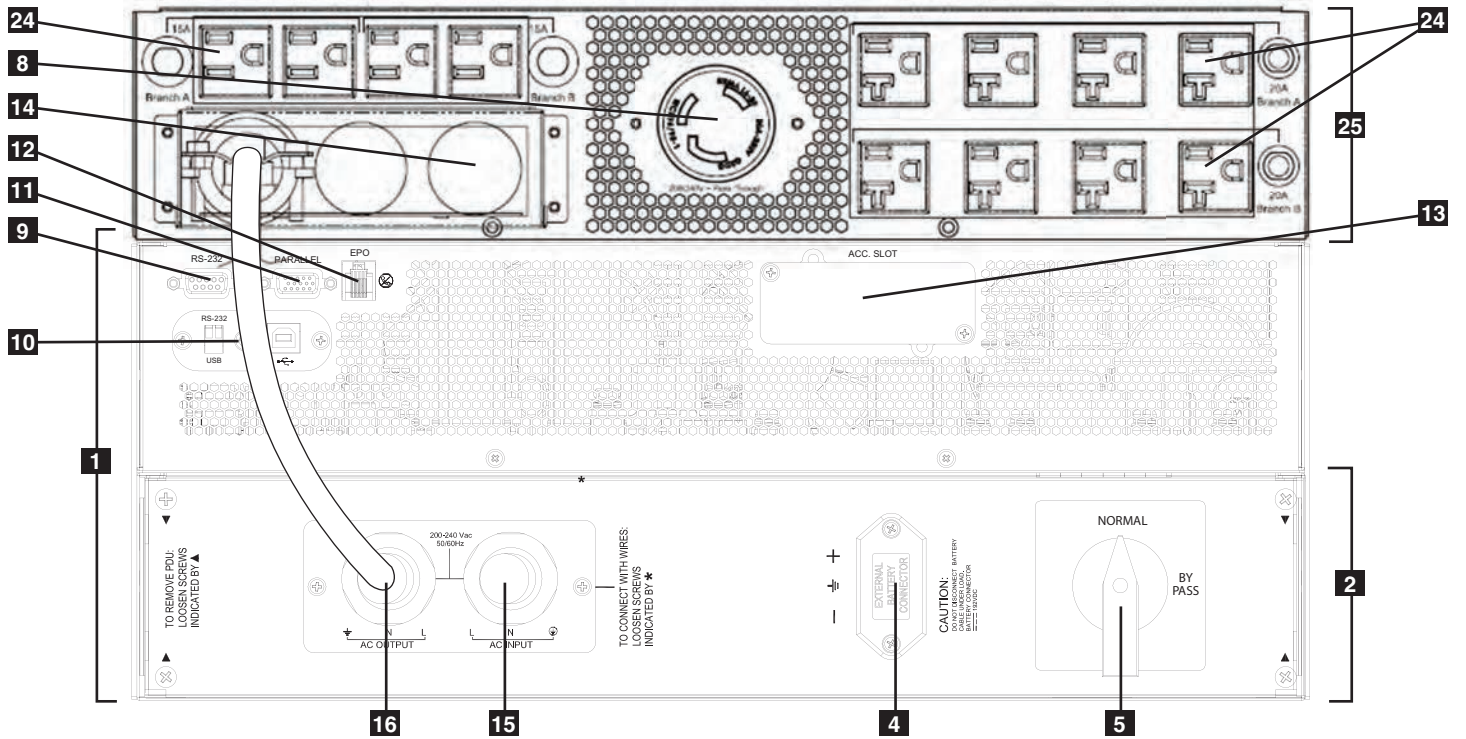
## SU12KRT4UHW—12kVA UPS System and Parallel PDU Modules

Note: See the manual included with the Parallel PDU for 12kVA installation, configuration and setup instructions.

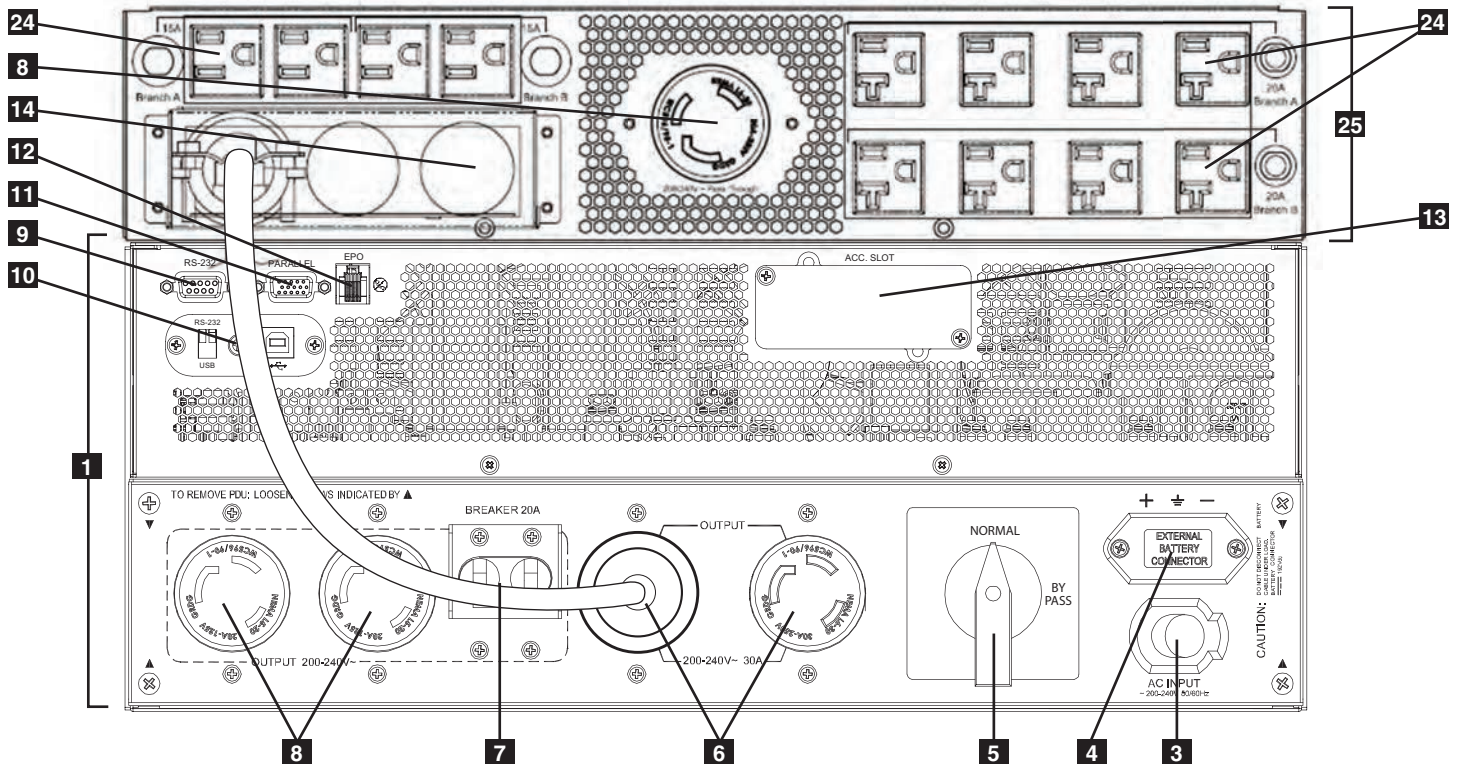


## Features (Rear Panel) (continued) See "Features" section for feature descriptions

### SU6000RT4UTFHW—6kVA UPS with Hardwire PDU and 6kVA Isolation Step Down Transformer (SU6000XFMR2U)



### SU6000RT4UTF—6kVA UPS with NEMA PDU and 6kVA Isolation Transformer



## Features (Rear Panel) (continued)

- 1 UPS System:** This self-contained unit houses the UPS system's power and control components as well as its internal batteries.
- 2 Independent, Detachable Power Distribution Unit (PDU):** This self-contained unit houses the UPS system's input and output components along with a bypass switch. When the switch is set to bypass the PDU can be completely removed from the power/battery module for routine power/battery maintenance without disrupting power to the connected loads. While this switch is set to bypass, connected equipment will receive unfiltered AC mains power, but the equipment will not receive battery power in the event of a blackout.
- 3 AC Input Cord:** Connects directly to wall receptacle providing 200-240V AC utility power.
- 4 External Battery Connector:** Use this to connect one or more Tripp Lite battery modules to the power module. Remove the cover for access. The power module will not start without a connection to a charged battery module. Refer to the battery module Owner's Manual for connection instructions and safety warnings.
- 5 Maintenance Bypass Switch:** This switch allows qualified service personnel to remove the detachable PDU from the power/battery module for routine maintenance without disrupting power to connected loads. While this switch is set to BYPASS, connected equipment will receive filtered AC mains power, but the equipment will not receive battery power in the event of a blackout. See "Manual Bypass Operation" section for complete bypass procedure.
- 6 L6-30R AC Output Receptacles:** Accept direct plug-in connection of NEMA L6-30 equipment plugs.
- 7 20A Output Breaker:** One double-pole circuit breaker controls output power from the receptacles indicated on each model.
- 8 L6-20R AC Output Receptacles:** Accept direct plug-in connection of NEMA L6-20 equipment plugs.
- 9 RS-232 Communication Port:** This female DB9 serial port may be used to connect your UPS to a workstation or server. It uses RS-232 protocol to communicate with a connected computer. It is used with Tripp Lite software and the included serial cable to monitor and manage the UPS remotely over a network and to automatically save open files and shut down equipment during a blackout. See "Optional Connection" section for details.
- 10 Mini-Slot:** USB connector (disabled by default—DIP switches in the RS-232 position; to enable, move both DIP switches to the USB position). An optional Contact-Closure card is available if needed (Tripp Lite part # RELAYIOMINI).
- 11 Parallel Connector:** For UPS communication in parallel (functional only on the 6kVA model). Refer to the manual provided with the Parallel PDU Kit. For more information, visit [www.tripplite.com/support](http://www.tripplite.com/support).
- 12 EPO (Emergency Power Off) Port:** The power module features an EPO port that may be used to connect the power module to a contact closure switch to enable emergency power off. See "Optional Connection" section for details.
- 13 Accessory Slot:** Remove the small cover panel to install optional accessories to remotely control and monitor your UPS system. Visit Tripp Lite on the Web ([www.tripplite.com](http://www.tripplite.com)) to learn about available SNMP, network management and connectivity products that may be installed in this slot.
- 14 Transformer AC Input/Output Terminal Block (6kVA UPS only):** Use this terminal for interfacing an approved PDU system.
- 15 Utility Input Terminal Block (6kVA UPS and 12kVA IEC/PARALLEL/HARDWIRE module only):** Use these terminals to connect your power module to utility power. Unscrew and remove the cover over the block for access.
- 16 Equipment Output Terminal Block (6kVA UPS and 12kVA IEC/PARALLEL/HARDWIRE module only):** Use these terminals to connect your power module to your equipment. Unscrew and remove the cover over the block for access.
- 17 AC Input Breaker:** One double-pole circuit breaker controls input power to the power module.
- 18 Parallel Power Interconnect:** For use with secondary parallel PDU only.
- 19 Maintenance Breaker (12kVA UPS only):** Controls maintenance to the UPS.
- 20 AC Output Breaker:** One double-pole circuit breaker provides Bypass for the parallel system to the load.
- 21 AC Output Receptacles (6kVA UPS/ IEC PDU Module only):** Accept direct plug-in connection of IEC-320-C20 equipment plugs.
- 22 Secondary UPS Module**
- 23 Secondary PDU Module**
- 24 5-15/20R AC Output Receptacles:** Accept direct plug-in connection of NEMA 5-15P or 5-20P equipment plugs.
- 25 Isolation Step Down Transformer:** This self-contained unit provides a means to connect both low-voltage and high-voltage devices to the UPS system.



## Connection

**Note:** The output voltage is set at 208~(default) by the manufacturer. If you need to change the output voltage of the UPS, refer to “Output Voltage Selection” in the “Operation” section. You should select the correct output voltage before connecting your equipment to the UPS.

### 1 Plug your UPS’s input cord into an electrical outlet. (SU5000RT4UHV, SU5000RT4UTF, SU6000RT4UHV, SU6000RT4UTF)

Your UPS must be connected to a dedicated circuit of sufficient amperage.

Note! After you connect the UPS to a live AC power source, the UPS LCD will display “BYPASS MODE” and will automatically charge its batteries while providing power to the output.

If you have a PDU with manual bypass, set the PDU bypass switch to “NORMAL.”

### 2 Turn UPS ON.

Press the UPS’s “ON” Button until you hear a beep to begin inverter operation. Your UPS will perform a brief self-test and show the results on the LCD Display. See “Startup Self-Test” in the “Operation” section for the display sequence. Your UPS will now provide filtered power to the AC output.

Note: UPS system will function properly upon initial startup; however, maximum runtime for the unit’s battery will only be accessible after it has been charged for 24 hours.

### 3 Plug your equipment into your UPS.

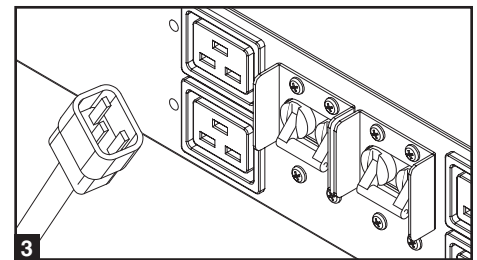
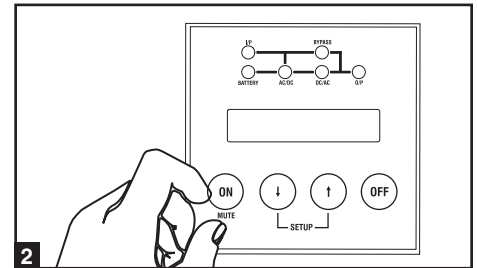
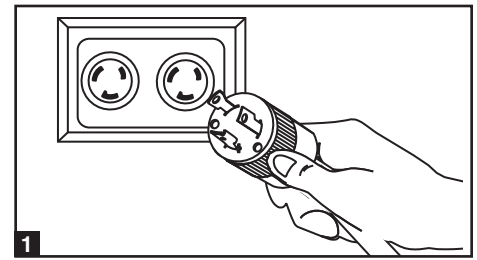
Your UPS is designed to support electronic equipment only. You will overload your UPS if the total VA rating for all the equipment you connect exceeds the UPS’s output capacity. Do not connect household appliances or laser printers to the UPS’s outlets. To find your equipment’s VA ratings, look on their nameplates. If the equipment is listed in amps, multiply the number of amps by the input voltage(200V~240V ) to determine VA. (Example : 1 amp x 208V = 208VA).

### 4 Turn UPS OFF (Optional).

Press the UPS’s “OFF” button until you hear a beep. You will be presented with a Yes/No option. Select Yes to continue to turn off the UPS. Select No to cancel. The UPS will continue to automatically charge its batteries and provide unfiltered (BYPASSED) AC output as long as AC input power is present. To completely deactivate the UPS, unplug the UPS’s input cord when the UPS system is in standby mode.

### 5 UPS Cold Start (Optional).

To use your UPS as a stand-alone power source when AC input power is unavailable (i.e. during a blackout), you can “cold start” your UPS and power connected equipment from the UPS’s battery. Your UPS’s battery must be at least partially charged for this operation to succeed. Press and hold the “ON” button until you hear a beep to cold start your UPS. The LCD Display will show ON BATTERY MODE. Battery power will begin discharging. Some electronic equipment may draw more amps during startup; when cold starting, consider reducing the initial load on the UPS.



## Terminal Strip Input Connections (SU6000RT4UHVHW, SU6000RT4UHV, SU6000RT4UTFHW)

Note: For SU12KRT4UHW Hardwiring information, see the manual included with the Parallel PDU.

### Hardwiring Cautions

- Wiring must be done by a qualified electrician.
- When making wiring connections, observe the cable connection regulations appropriate to your area [e.g. National Electrical Code (NEC) in the U.S.] at all times. Be sure to install an easily accessible disconnect switch in your installation wiring so you may cut off the UPS’s AC input during fires and other emergencies. Ensure that cables are fitted with cable sleeves and are secured by connector clamps. Tighten connections with a torque of not less than 24-28 inch-pounds (2.7-3.2 NM).
- Make sure that your equipment is properly grounded.
- Using cables of improper size may damage your equipment and cause fire hazards. Choose appropriate cabling and protection circuits to make wiring connections. Ground conductors must be the same size and type as the power conductors used.
- Refer to National Electrical Code (NEC) guidelines for proper wire gauge and output protection circuit requirements.

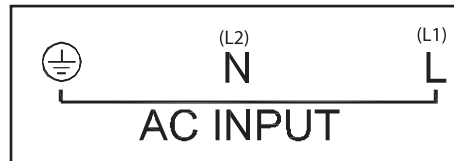
## Connection (continued)

### Terminal Strip Connection—IEC PDU Module (SU6000RT4UHVG)

Model	Input Voltage	Maximum Rated Input Current	Typical Wire Size
SUPDMB6KIEC	200~240V (L-N)	30A	8 mm <sup>2</sup>

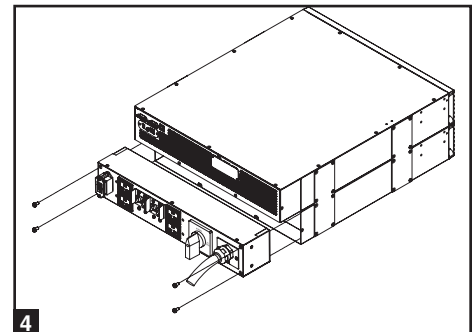
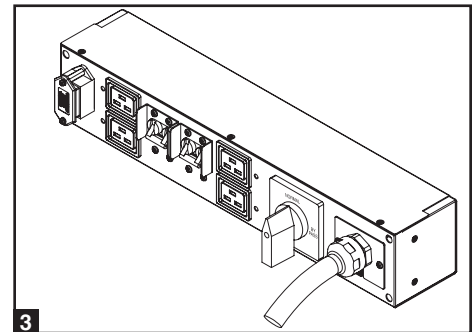
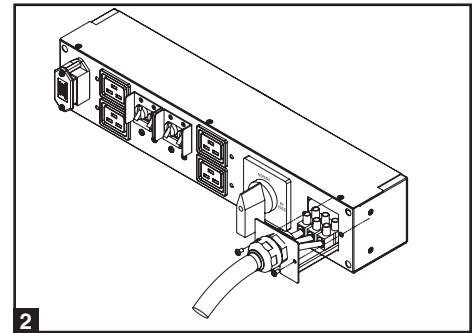
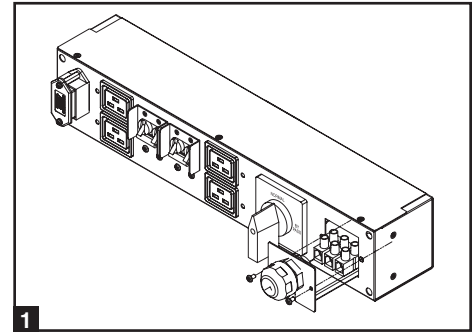
**1** Unscrew 3 screws to remove the terminal strip cover and slide out as seen in diagram 1.

**2** Connect the L1, L2 and Ground wires (Hardwire-In, Receptacle-Out) according to markings on the connectors as seen in diagram 2.



**3** Slide in and reattach the terminal strip cover with the 3 screws from Step 1.

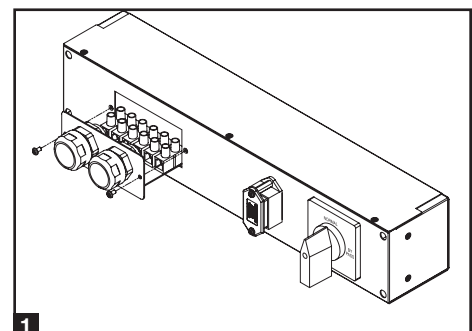
**4** Attach the PDU to the UPS system using 4 screws as seen in diagram 4.



### Terminal Strip Connection—Hardwire PDU Module (SU6000RT4UHVHW, SU6000RT4UTHFW)

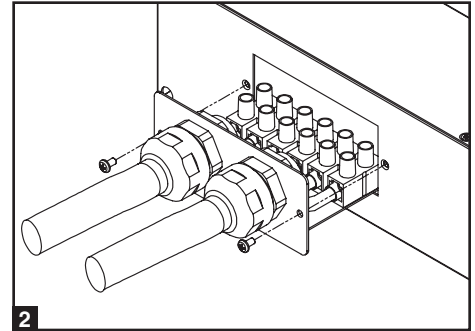
Model	Input Voltage	Maximum Rated Input Current	Maximum Rated Output Current	Typical Wire Size
SUPDMB6KHW	200~240V (L-N)	32A	30A	8 mm <sup>2</sup>

**1** Unscrew 3 screws to remove the terminal strip cover and slide out as seen in diagram 1.

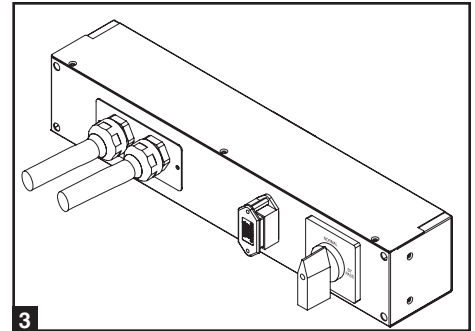


## Connection (continued)

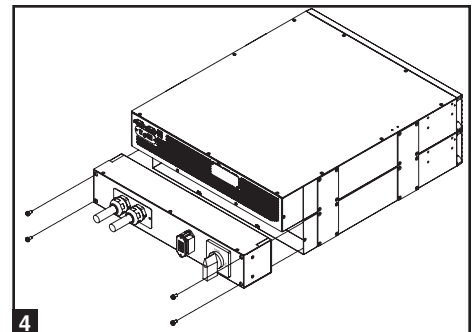
- Connect the 2 sets of L1, L2 and Ground wires (1 Input, 1 Output) according to markings on the connectors as seen in diagram 2. Be sure to connect one set of wires to the input terminals and the other set to the output terminals.



- Slide in and reattach the terminal strip cover with the 3 screws from Step 1.



- Attach the PDU to the UPS system using 4 screws as seen in diagram 4.



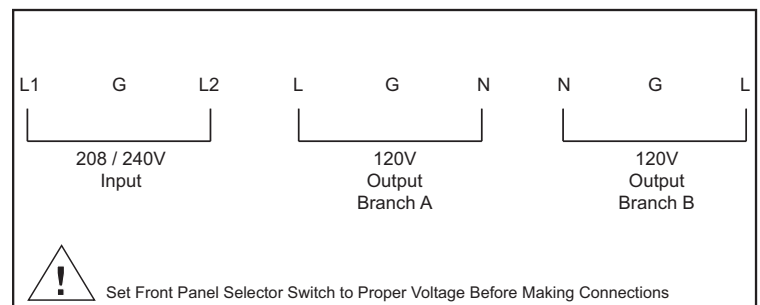
## Hardwiring the Transformer Bundle (Input/Output)

### SU6000RT4UTF

- Plug the XFMR into the UPS.
- Connect the transformer to the UPS. This can be a hardwire connection, outlet connection or both, provided the combined load does not exceed capacity.

### SU12KRT4UHW

See manual included with Parallel PDU for connection, setup and installation information.



## Optional Connection

The following connections are optional. Your UPS system will function properly without these connections.

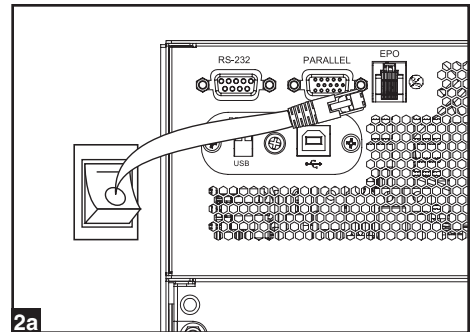
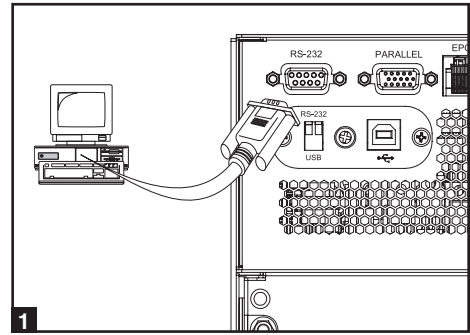
### 1 RS-232 Serial and USB Communication Connections

Use the included cable to connect the power module's "RS-232" port to the communication port on your computer. This will allow full network monitoring and control of your UPS system. Install on your computer the Tripp Lite PowerAlert software appropriate to your computer's operating system. The UPS is also equipped with a USB communication module.

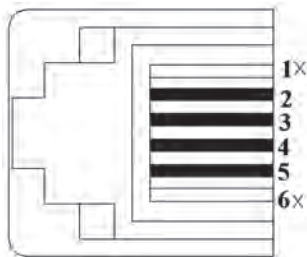
An alternate contact closure module is available if necessary (Tripp Lite part # RELAYIOMINI). By default, this module is disabled. To enable, move both DIP switches to the USB position. Enabling this module disables the RS-232 port. The RS-232 port is also disabled with the installation of an optional SNMP/Web card (Tripp Lite part # SNMPWEBCARD). The SNMP/Web card can be used simultaneously with the USB communication module.

### 2 EPO Port Connection

This optional feature is only for those applications that require connection to a facility's Emergency Power Off (EPO) circuit. When the UPS is connected to this circuit, it enables emergency shutdown of the UPS's inverter and inhibits transfer to internal bypass. Using the cable provided, connect the EPO port of your UPS (see **2a**) to a user-supplied normally open switch according to the circuit diagram (see **2b**).

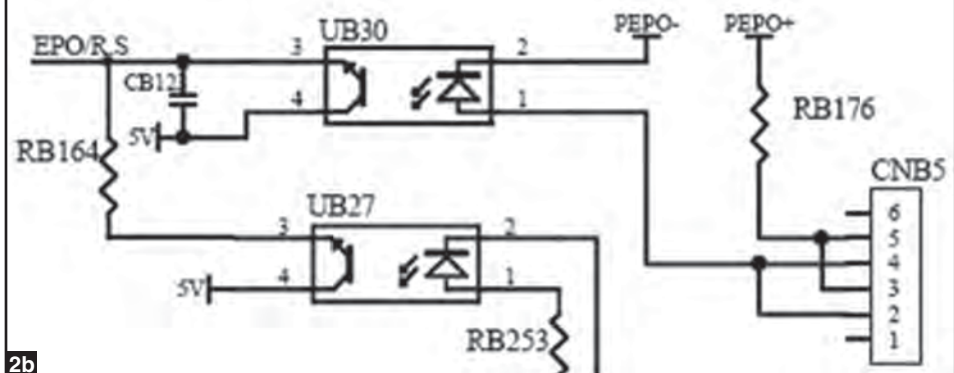


#### EPO connector



Pins 4 and 5 or pins 2 and 3 can be shorted to activate the EPO.

#### EPO Information



#### Note:

1. If using a cable other than what is supplied, the cable should not exceed 350 feet or have a resistance of greater than 10 ohms.
2. If a non-latching EPO switch is used, the EPO must be held for a minimum of 1 second. This does not apply to a latching EPO switch.
3. For setup of a normally closed-switch EPO connection, please contact Tripp Lite Technical Support.

**CAUTION: The EPO port is not a phone line surge suppressor; do not connect a phone line to this port.**

## Optional Connection (continued)

UPS Unit State when asserting EPO with AC line present:

LEDs	Output	Fans	Serial	SNMP	USB	LCD Screen
OFF	OFF	OFF	OFF	OFF	OFF	“Emergency Stop”

To restart the UPS unit after asserting EPO with AC line present:

1. Verify that the EPO assertion has been removed or cleared.
2. Remove AC line power to the UPS unit.
3. Reapply AC line power. Now the UPS will start back up in Bypass mode and the LCD will display “BYPASS MODE”.

UPS Unit State when asserting EPO without AC line power:

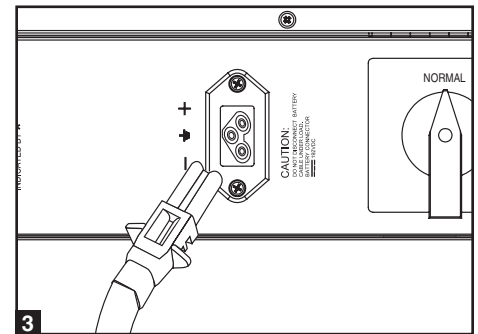
LEDs	Output	Fans	Serial	SNMP	USB	LCD Screen
OFF	OFF	OFF	OFF	OFF	OFF	“Emergency Stop”

To restart the UPS unit after asserting EPO without AC line power:

1. Verify that the EPO assertion has been removed or cleared.
2. Reapply AC line power to the UPS unit. Now the UPS will start back up in Bypass mode and the LCD will display “BYPASS MODE”.

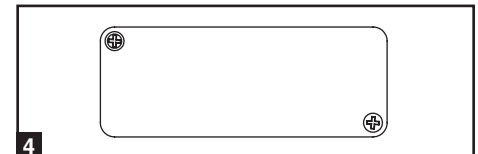
### 3 External Battery Connection

Your UPS comes with a robust internal battery system; external batteries are needed only to extend runtime. Adding external batteries will increase recharge time as well as runtime. The illustration shows the location of your UPS’s External Battery Connector, where you will insert the battery pack cable. Complete installation instructions for your battery pack appear in the battery pack Owner’s Manual. Make sure that cables are fully inserted into their connectors. Small sparks may result during battery connection; this is normal. Do not connect or disconnect battery packs when the UPS is running on battery power.



### 4 Accessory Slot

Remove the slot’s cover to install an optional internal SNMP/Web accessory card (Model: SNMPWEBCARD) to enable remote UPS monitoring and control via SNMP, Web or telnet. (Tripp Lite’s RELAYIOCARD is also available.) Visit [www.tripplite.com/support](http://www.tripplite.com/support) for more information, including a list of available SNMP, network management and connectivity products.



# Hot-Swap Power Module Replacement\*

**WARNING!** For qualified service personnel only. Failure to follow the bypass procedure completely will not adequately power down the UPS, resulting in the continued risk of death or injury from potential contact with high voltage. The UPS and detachable PDU are extremely heavy. This procedure requires several people to perform.

The UPS system includes an independent, detachable PDU with a Bypass Switch. This switch allows qualified service personnel to remove the detachable PDU from the UPS for routine maintenance without disrupting power to connected loads. While this switch is set to "BYPASS", connected equipment will receive unfiltered AC mains power. But the equipment will not receive battery power in the event of a blackout.

\* See manual included with SU12KRT4UHW Parallel PDU for Bypass.

## UPS Removal (6kVA Single UPS Power Module Configurations Only)

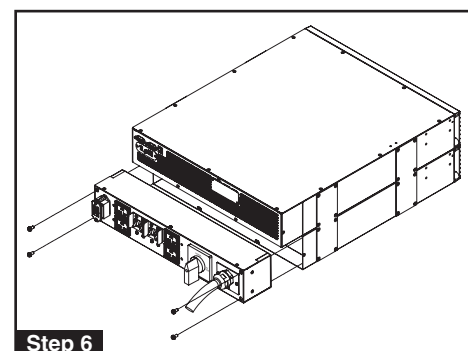
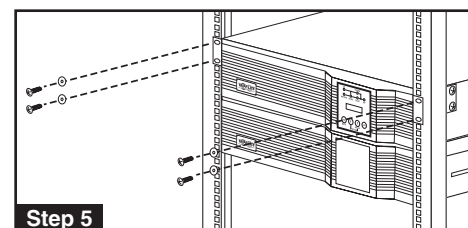
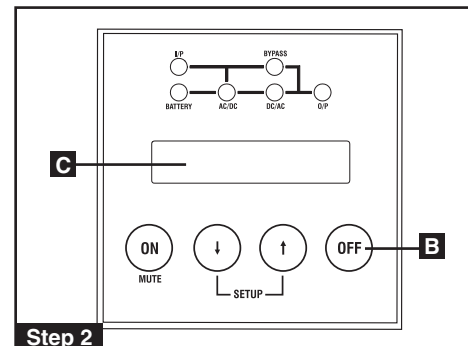
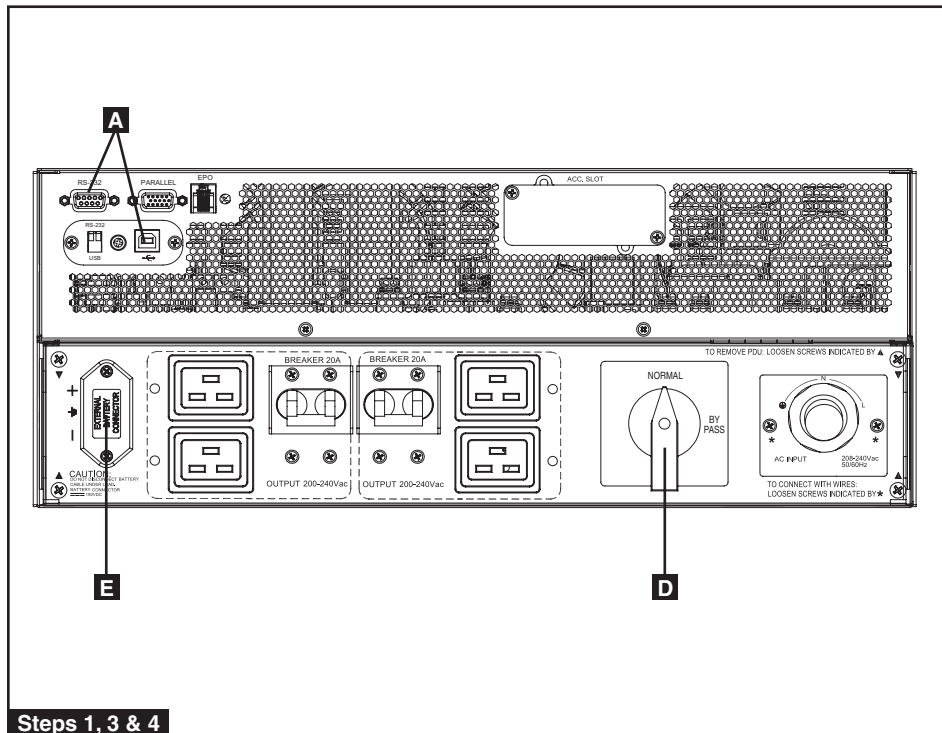
- STEP 1.** Disable PowerAlert and disconnect the SNMP or serial USB communication cables from the communication ports **A** on the UPS.
- STEP 2.** Press UPS's "OFF" button **B**, if the UPS is powered, until you hear a beep and see a "BYPASS MODE" message shown in its LCD Display **C** on the front of the power module. You will be prompted to enter "BYPASS MODE". Press UPS "OFF" button again to activate "BYPASS MODE".
- STEP 3.** Turn the detachable PDU's Bypass Switch **D** to "BYPASS" on the rear of the UPS PDU.
- STEP 4.** If an external battery module is connected to the UPS **E**, disconnect it from the UPS.

**The UPS is now safely powered down and it can be detached from the PDU to perform maintenance/replacement.**

- STEP 5.** Remove the four screws that secure the front mounting ears of your UPS to the rack. With the PDU still attached, move the UPS system and PDU forward in the rack slightly (approximately 4 inches), being sure that both components remain adequately supported by the UPS's rackmount support rails.
- STEP 6.** At the rear of the UPS, remove the four screws that hold the detachable PDU to the UPS that is being serviced. With an assistant holding the front of the UPS in place, carefully detach the PDU from the rear of the UPS and rest it on the UPS support rails. Remove the UPS power module from the front of the rack.



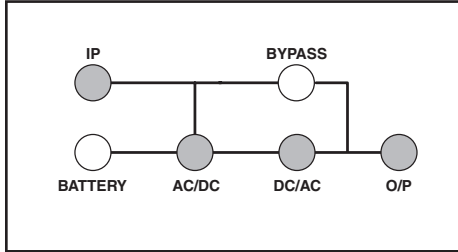
**WARNING! High voltage! Risk of electrical shock!**



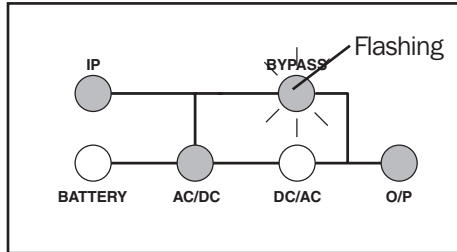
# Operation

## LED Display Information

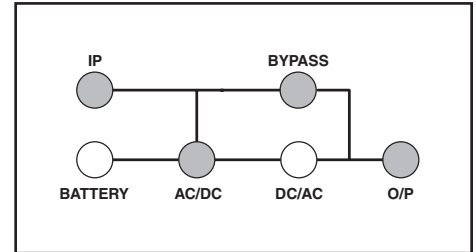
**ONLINE Mode:** AC input voltage in normal range: 156-280V.



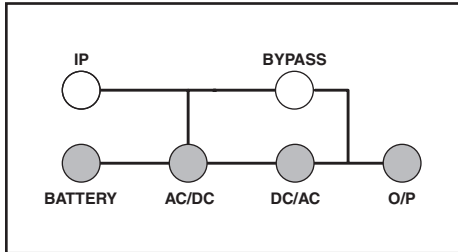
**Bypass Mode:** AC input voltage in a range of: -20 to +15% of the rating voltage; Bypass Mode is enabled.



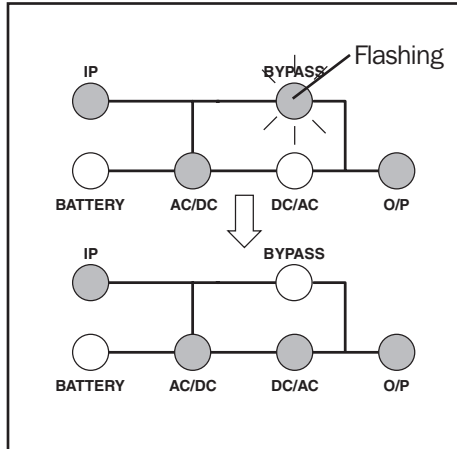
**Economy Mode:** AC input voltage in a range between -10 and +10% of rating voltage; Economy Mode is enabled.



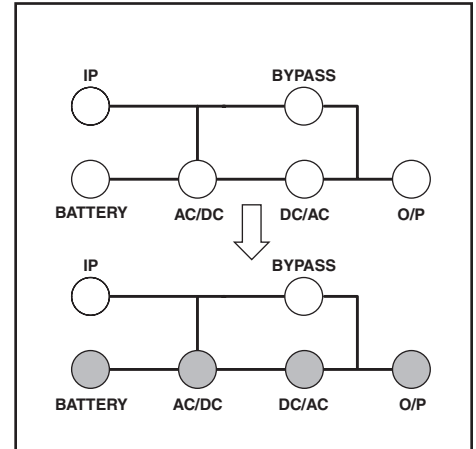
**Battery Mode:** When in Battery Mode, you will see the following LED display:



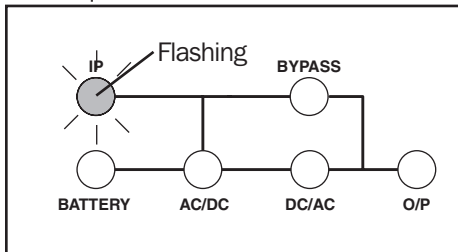
**AC Power Start Up:** With an AC power start up, you will see the following LED sequence:



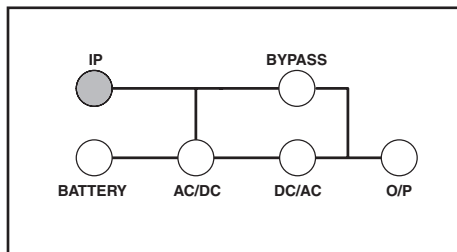
**Cold Start:** With a cold start, an On Battery Alarm will sound, and you will see the following LED sequence:



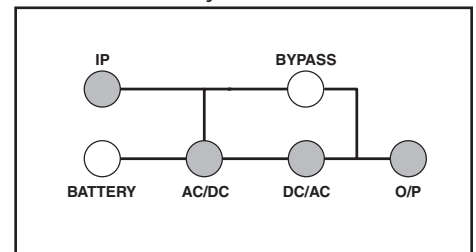
**EPO Shutdown (Frequency Conversion Mode):** With an EPO shutdown with no output present, you will see the following LED sequence:



**EPO Shutdown (AC Mode):** With an EPO shutdown having AC power present, you will see the following LED sequence:

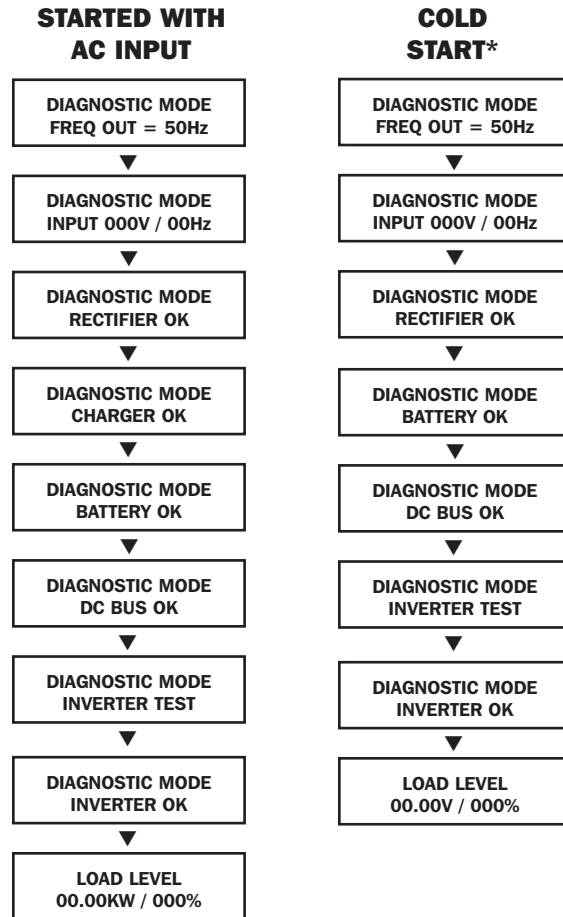


**Battery Independent Mode:** In Battery Independent Mode, the same LED sequence as ONLINE Mode will display, but a "Bad Battery Alarm" will sound.



## Startup Self-Test

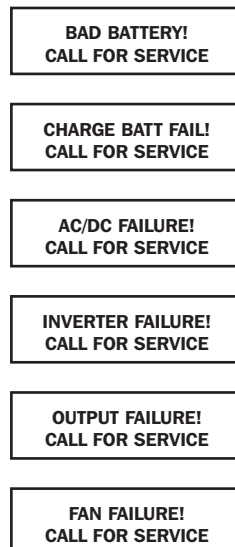
When you turn the UPS ON, it will enter Diagnostic Mode and perform a brief self-test lasting about 15 seconds. The results of the self-test are shown on the LCD screen in the sequence below.



**\*Note: If the UPS is cold started, its BATTERY LED will be lit.**

## Failed Self-Test

If a problem is detected during the self-test, the LCD will display an error message. If your UPS displays any of the following messages in its LCD, visit [www.tripplite.com/support](http://www.tripplite.com/support) for service.





# Operation (continued)

## Normal Operation

During normal operation, the first line of your LCD Display shows which operating mode your UPS is in: Online Mode, Economy Mode, Frequency Conversion Mode, Battery Mode, Bypass Mode or Parallel Mode (12kVA model only).

**Online Mode:** The UPS provides AC power while utility power is available and switches to On Battery Mode instantly (zero transfer time) if AC power is interrupted.

**Economy Mode:** The UPS provides AC power at high efficiency while utility power is within +/- 10% rated AC input voltage and switches to On Battery Mode (8ms transfer time) if AC power is interrupted.

**Frequency Conversion Mode:** Used to convert your UPS's input frequency to a different output frequency (i.e. Input 60 Hz to Output 50 Hz. **Note:** Output will be turned off in Frequency Conversion Mode if the unit is put into Bypass).

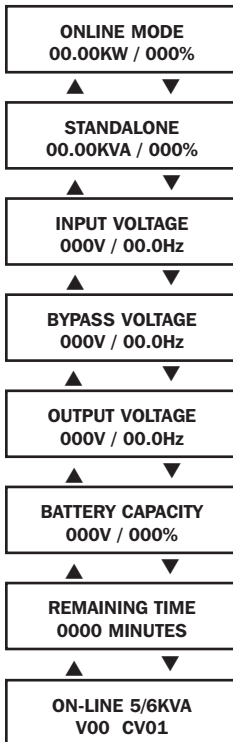
**Battery Mode:** The UPS provides AC power from battery backup so long as battery power lasts. It switches back to Online or Economy Mode if utility power is available and shuts down if it runs out of battery power.

**Bypass Mode:** The UPS provides AC power while utility power is available. The UPS shuts down if AC power is interrupted.

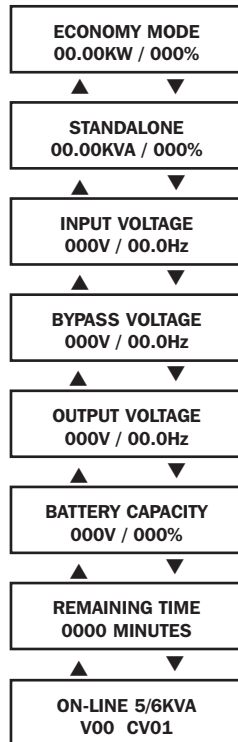
**Parallel Mode (SU12KRT4UHW model only):** The UPS can provide redundancy up to 6kVA or power up to 12kVA. Refer to the manual provided with the Parallel PDU Kit for more information.

The second line of the LCD Display shows basic power conditions. In each operating mode you can push the SCROLL buttons to browse through these basic power conditions in the sequences shown below:

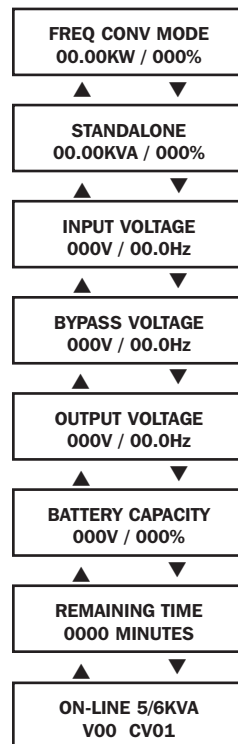
### Display Information Online Mode:



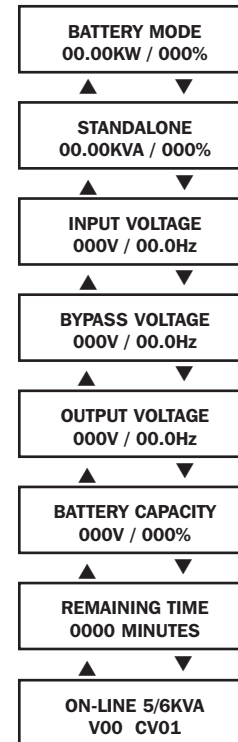
### Display Information Economy Mode:



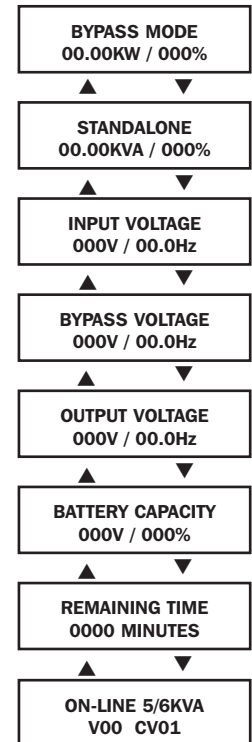
### Display Information Frequency Conversion Mode:



### Display Information Battery Mode:

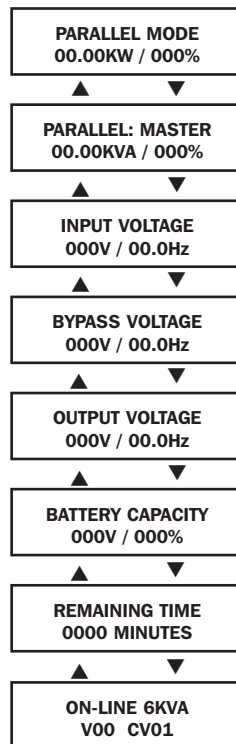


### Display Information Bypass Mode:



## Normal Operation

### Display Information Parallel Mode (12kVA model only):



NOTE: When two units are connected in parallel, the "Master UPS" will display "PARALLEL: MASTER" in this second screen. The display on the "Secondary UPS" will read "PARALLEL: SLAVE". If the two units are not paralleled successfully, both units will read "STANDALONE" in this second screen.

## UPS Setup Menu

Press the UP↑ and DOWN↓ buttons simultaneously for 3 seconds until the SETUP MENU screen appears as seen below:



Press the UP↑ button to enter Set Up Mode.

To enter Set Up Mode, you will be required to enter a password.

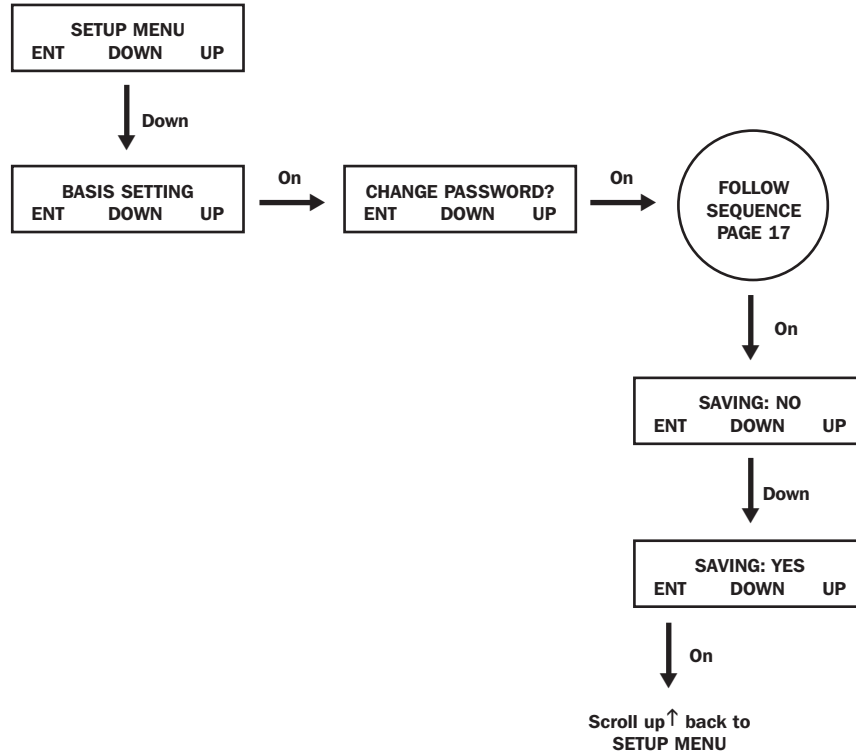


Numbers increase or decrease by 1 when pressing the UP↑ and DOWN↓ buttons (0-9). Scroll to select the first number, then press the ON button. This saves the first number and moves on to the next in the sequence. The password range is 0000-9999 and should be changed by the administrator. The DEFAULT password is 1234.

## Operation (continued)

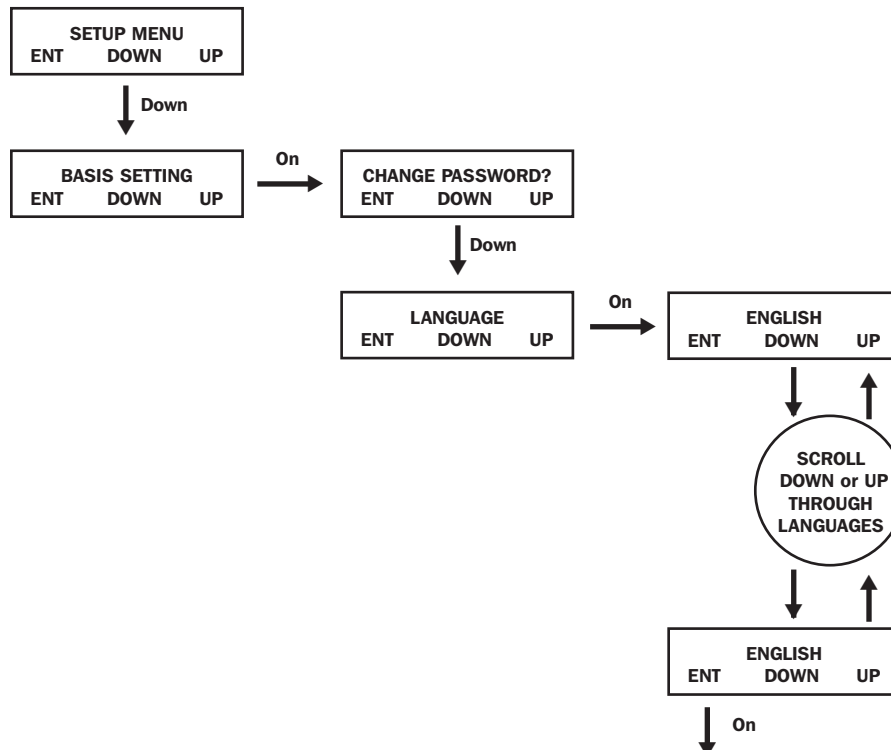
### Changing the Password

To change the password, scroll DOWN↓ from the SETUP MENU screen to the BASIS SETTING screen. From here, press ON for the CHANGE PASSWORD screen. From this screen press ON and follow the previously described actions to set your password. When set, press ON to move to the SAVING screen. Scroll DOWN↓ to the SAVING: YES screen and press ON to save. Scrolling back UP↑ will return you to the SETUP MENU.



### Selecting Screen Language

To select a screen language, scroll DOWN↓ to the BASIS SETTING screen. Press ON to get to the CHANGE PASSWORD screen and DOWN↓ to get to the LANGUAGE screen. From here, press ON. You can then scroll DOWN↓ or UP↑ through languages until you find your desired language. Press ON to save your selection.



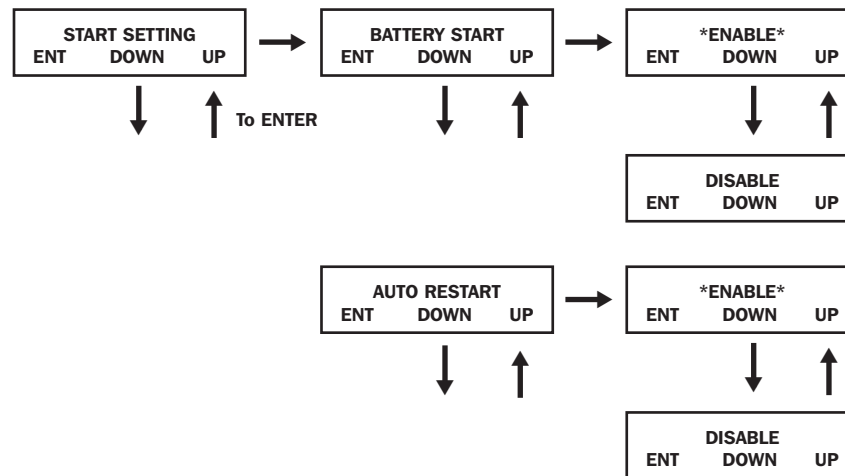
## Operation (continued)

### Start Settings

The UPS can start up through the battery without AC power. The DEFAULT is ENABLE. When the UPS switches to battery it can AUTO RESTART to work in an On-Line Mode when AC power is restored. DEFAULT is ENABLE.

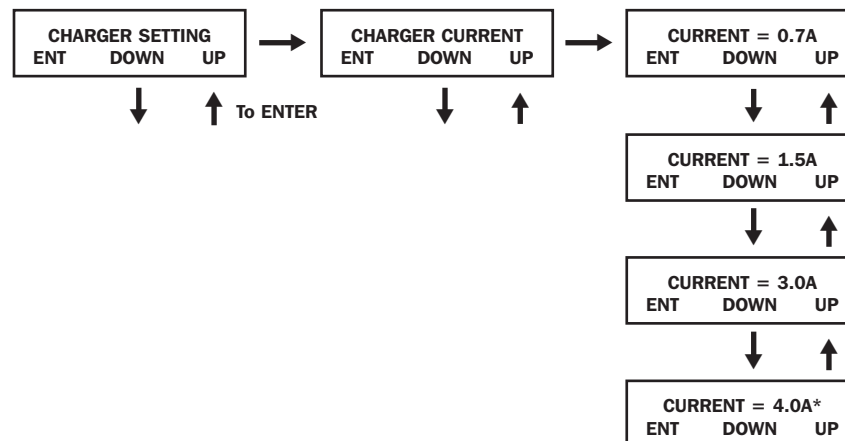
From the SETUP MENU screen, scroll DOWN↓ to the START SETTING screen. From here, press the ON button for the BATTERY START screen. From this screen, pressing ON moves you to a ENABLE screen. Pressing ON will ENABLE, while scrolling DOWN↓ takes you to a DISABLE screen. From here, press ON to DISABLE this function.

From the BATTERY START screen, pressing DOWN↓ will take you to an AUTO RESTART screen. Pressing ON takes you to an ENABLE screen; press ON to ENABLE. Pressing DOWN↓ takes you to a DISABLE screen. Press ON to DISABLE this function.



### Charger Settings

From the SETUP MENU screen, scroll DOWN↓ until you reach the CHARGER SETTING screen. From here, press ON to get to the CHARGER CURRENT screen. Press ON again. From here, you can scroll DOWN↓ or UP↑ to select current values between 0.7 and 4.0 A. Press ON to save your desired value. The DEFAULT selection is 0.7A.



Use the following table as a guide for charger settings based on the number of battery packs you are using.

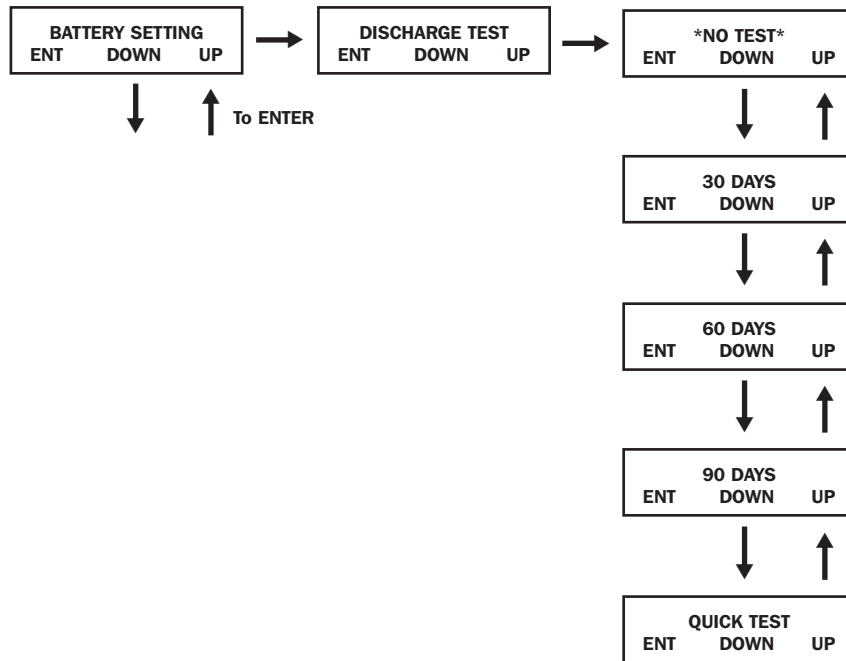
UPS Charge Current Setting for 5/6kVA Models				
Internal Battery Pack + External Battery Packs	1	2	3-6	7 or more
Charge Current Setting	0.7A	1.5A	3.0A	4.0A

### UPS Charge Current Settings for the 12kVA Model

Use the same charger current settings as the 5/6kVA models for each power module of the SU12KRT4UHW. The number of connected external battery packs must be equal on each power module of the SU12KRT4UHW.

## Battery Settings

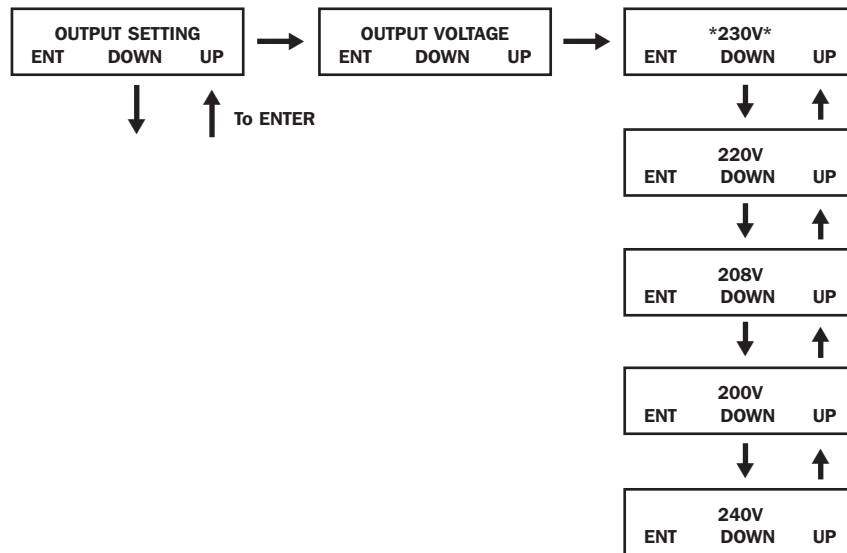
**Discharge Test:** Used to set the time period for discharge tests. From the SETUP MENU screen, scroll DOWN↓ until you reach the BATTERY SETTING screen. Press ON for the DISCHARGE TEST screen. Here, press ON. Now you can scroll DOWN↓ or UP↑ between NO TEST, 30, 60, 90 days and QUICK TEST. When you reach your desired time length, press ON to save. The DEFAULT is NO TEST.



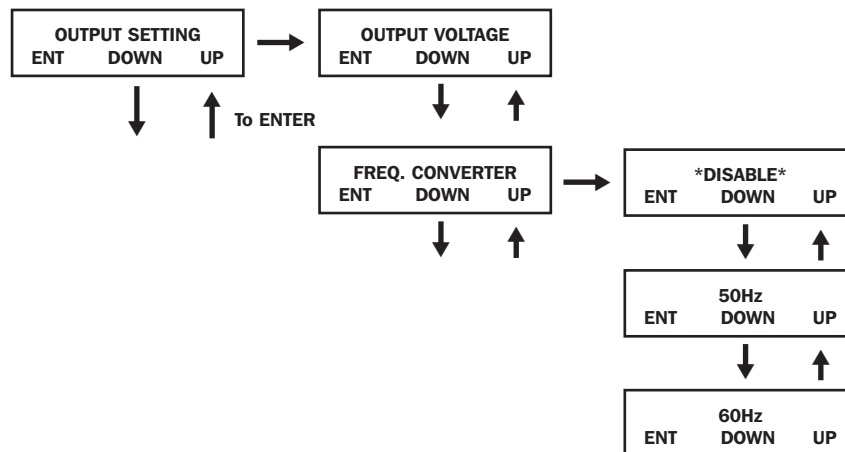
## Output Settings

**Note:** Any Output Setting changes require a UPS power cycle.

**Output Voltage:** Used to set the UPS' output voltage rating. From the SETUP MENU screen, scroll DOWN↓ until you reach the OUTPUT SETTING screen. Press ON to reach an OUTPUT VOLTAGE screen and ON again. You can now scroll DOWN↓ or UP↑ between 5 voltage values: 200/208/220/230/240V. Press ON to save your desired voltage. DEFAULT is set to 208V.

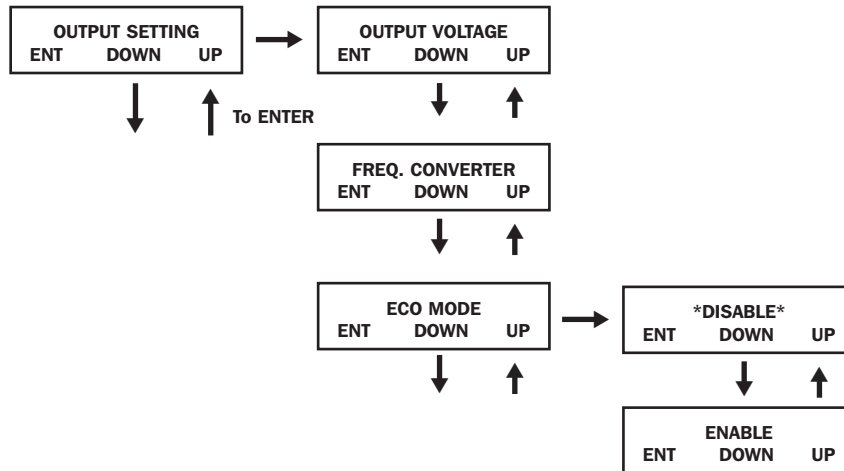


**Frequency Converter:** Used to set the Frequency Converter Mode. From the SETUP MENU screen, scroll DOWN↓ until you reach the OUTPUT SETTING screen. Press ENTER for the OUTPUT VOLTAGE screen and DOWN↓ to access the FREQ CONVERTER screen. Here, press ON. Now you can scroll DOWN↓ or UP↑ between DISABLE, 50 and 60 Hz. Press ON to save your selection. When on DISABLE, the UPS will automatically detect input frequency and select 50 or 60 Hz accordingly. The DEFAULT selection is DISABLE.

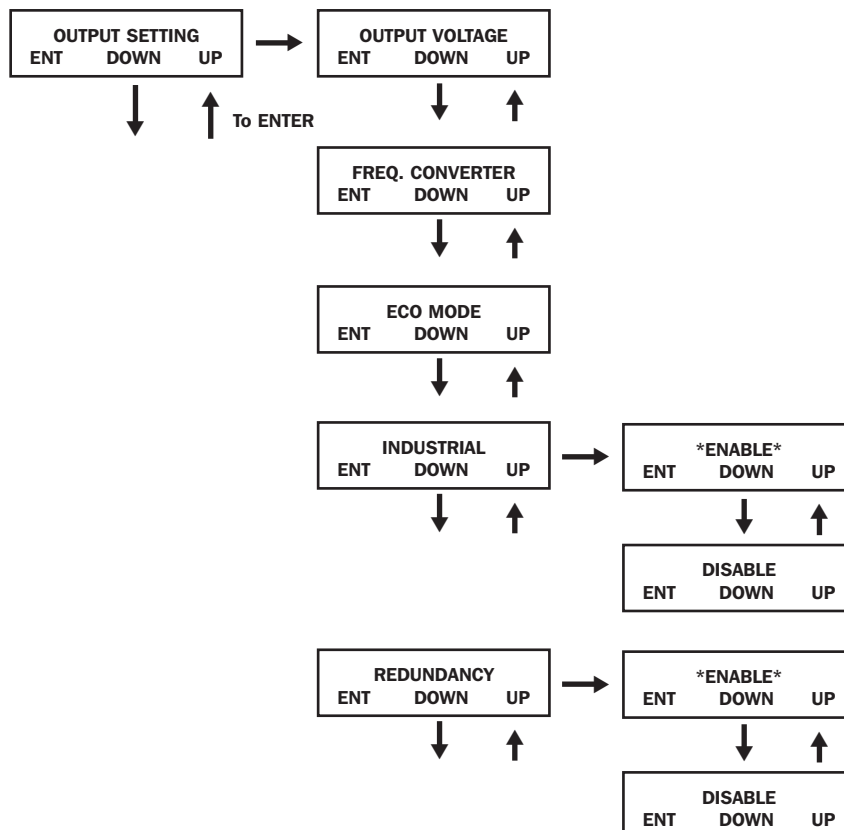


## Output Settings

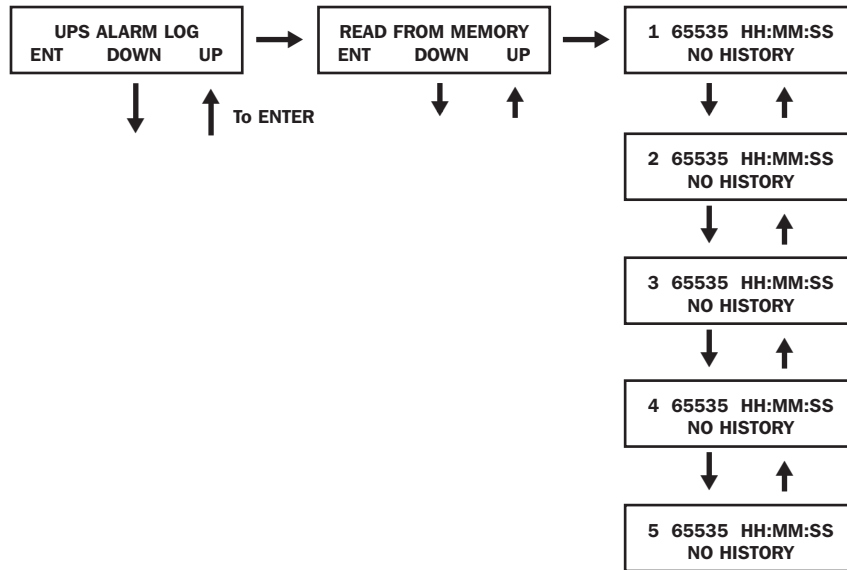
**ECO Mode:** Used to set the UPS's ability to work in the energy saving Economy Mode. When input voltage is in a + or - range of 10% of the overall voltage rating, the UPS will transfer into an Economy Mode to improve the efficiency of the UPS. From the SETUP MENU screen, scroll DOWN↓ until you reach the OUTPUT SETTING screen. From here, press ON for the OUTPUT VOLTAGE screen, and DOWN↓ through the FREQ CONVERTER screen until you reach the ECO MODE screen. From here, press ON and now you can scroll DOWN↓ or UP↑ between DISABLE and ENABLE. Press ON to save your selection. The DEFAULT setting is DISABLE.



**Industrial:** Used to set the UPS's voltage protection. If enabled, and receiving AC power with input voltage and frequency within a normal range the UPS will work in an On-Line mode. If the UPS detects an output voltage fluctuation more than 5 ms, the UPS will transfer to Bypass Mode, returning to On-Line Mode when the output is back to normal. From the STARTUP MENU screen, scroll DOWN↓ until you reach the OUTPUT SETTING screen. From here, press ON to reach the OUTPUT VOLTAGE screen, and DOWN↓ until you reach the INDUSTRIAL screen. From here, press ON and you can now scroll DOWN↓ or UP↑ for ENABLE or DISABLE. Press ON to save your selection. The DEFAULT is DISABLE. Scrolling DOWN from the INDUSTRIAL screen will take you to a REDUNDANCY screen. From here, press ON and you can now scroll DOWN or UP for ENABLE or DISABLE. The DEFAULT setting is DISABLE.



## UPS Alarm Log

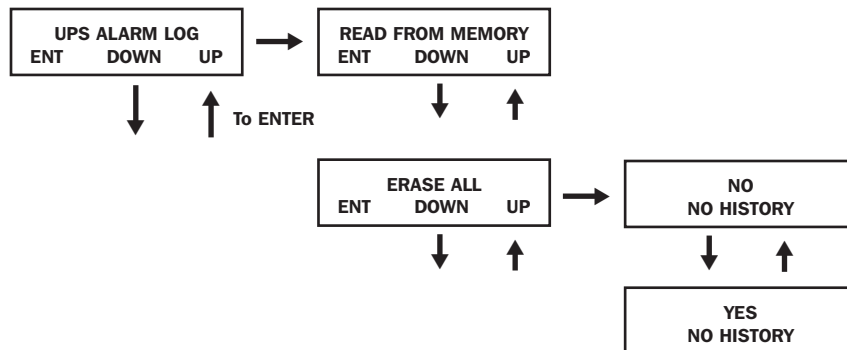


**Read From Memory:** Records the last 5 fault events from the EEPROM. See the Fail Event List below:

Fail Event List		
DC BUS FAIL	CHARGER BATTERY FAIL	DC BUS OVP FAIL
SHORT CIRCUIT	BYPASS SCR SHORT FAIL	INPUT HVP RELAY SHORT FAIL
INVERTER FAIL	INPUT SCR SHORT FAIL	INPUT HVP RELAY OPEN FAIL
OVER TEMPERATURE	ENERGY SAVING	NTC OPEN FAIL
OUTPUT SCR FAIL	OUTPUT HAS VOLTAGE	LOW TEMP FAIL
OVERLOAD	INPUT FUSE FAIL	
FAN FAIL	OUTPUT FUSE FAIL	

From the SETUP MENU screen, scroll DOWN↓ until you reach the UPS ALARM LOG screen. Press ON to enter the READ FROM MEMORY screen and ON again. Here, you can scroll DOWN↓ or UP↑ to read the last 5 fault events. Press ON to exit this menu.

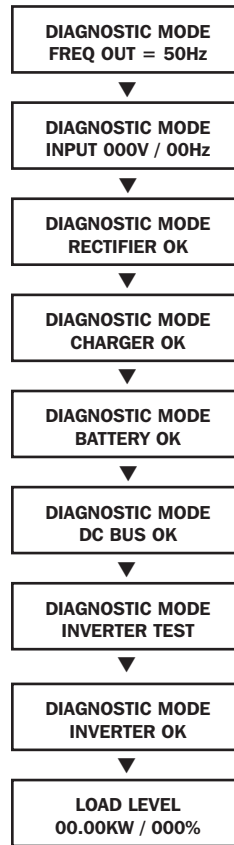
**Erase All:** Used to clear the Fault Event Log. From the STARTUP MENU, scroll DOWN↓ until you reach the UPS ALARM LOG screen. From here, press ON to reach the READ FROM MEMORY screen and press DOWN↓ for the ERASE ALL screen. From here you can scroll DOWN↓ or UP↑ between Yes and No. Press ON to save your selection. You will now be presented with a SURE? screen. Press ON to save or scroll for more options.



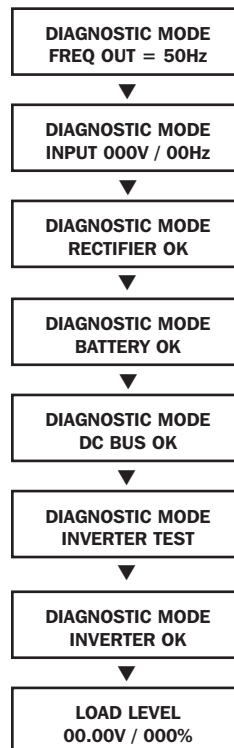


## Self Diagnosis Information

When starting with AC power, you will see the following sequence display:



When starting on battery power, you will see the following sequence display:



## UPS Fault Shutdown Messages

CONDITION	LCD DISPLAY MESSAGES
+BUS >450V	+ DC BUS HIGH SHUTDOWN
Load <100%: +BUS < 320V; Load >100%: +BUS <290V	+ DC BUS LOW SHUTDOWN
-BUS >450V	- DC BUS HIGH SHUTDOWN
Load <100%: -BUS <320V; Load >100%: -BUS <290V	- DC BUS LOW SHUTDOWN
BUS Voltage Over 500	BUS OVP FAIL SHUTDOWN
Output Short	OUTPUT SHORT SHUTDOWN
UPS Over Temperature	OVER TEMPERATURE SHUTDOWN
Output SCR Open Failure	OUTPUT SCR FAIL SHUTDOWN
Output Overload	OVERLOAD SHUTDOWN
Bypass SCR Short	BYPASS SCR FAIL SHUTDOWN
Input SCR Rectifier Failure	RECTIFIER FAIL SHUTDOWN
Inverter Output Voltage Failure	INVERTER SHUTDOWN
Input Fuse Open	I / P FUSE BROKEN SHUTDOWN
Output Fuse Open	O / P FUSE BROKEN SHUTDOWN
Parallel ID Lost	PARALLEL FAULT SHUTDOWN

## On Battery Alarm

When in the On Battery Mode, the UPS power module will beep to inform you that it is using battery power to support connected equipment. If its connected batteries are at more than half capacity, it will beep every two seconds. If its connected batteries are below half capacity, it will beep twice a second. If its connected batteries are nearly depleted, the UPS power module will beep continuously.

To silence the On Battery Alarm, press the "ON/MUTE" button.

## Overload Messages

When the UPS detects an output overload, its LCD will switch to the following display:

<b>OVERLOAD!</b> <b>LOAD = XXX% X.XXKW</b>
---

The UPS will then begin a countdown. If the UPS is still overloaded at the end of the countdown, the UPS will automatically go to Bypass Mode to protect its inverter. The duration of the countdown varies with the severity of the overload, as follows:

Overload Condition	Countdown Duration
106% - 125%	1 minute
126% - 150%	30 seconds
>150%	Immediate

## Bypass Messages

While in Bypass Mode, the UPS monitors its input voltage and passes that input power along to connected equipment. The UPS will not provide battery backup in Bypass Mode.

If the output voltage deviates from an acceptable range (between 15% higher and 20% lower than nominal), the UPS displays the condition on its LCD and stops supplying output power to its load. If power levels return to an acceptable level, the UPS resumes supplying power to the load, and its LCD reports that output voltage was too high or too low at one time, but has returned to nominal.

BYPASS VOLTAGE CONDITIONS	LCD DISPLAY MESSAGES	
>15% Higher Than Nominal	<table border="1"> <tr> <td> <b>BYPS OUT OF VOLT</b>  <b>XXXV / XX.X HZ</b> </td> </tr> </table>	<b>BYPS OUT OF VOLT</b> <b>XXXV / XX.X HZ</b>
<b>BYPS OUT OF VOLT</b> <b>XXXV / XX.X HZ</b>		
>20% Lower Than Nominal	<table border="1"> <tr> <td> <b>BYPS OUT OF VOLT</b>  <b>XXXV / XX.X HZ</b> </td> </tr> </table>	<b>BYPS OUT OF VOLT</b> <b>XXXV / XX.X HZ</b>
<b>BYPS OUT OF VOLT</b> <b>XXXV / XX.X HZ</b>		

**Shutdown Messages**

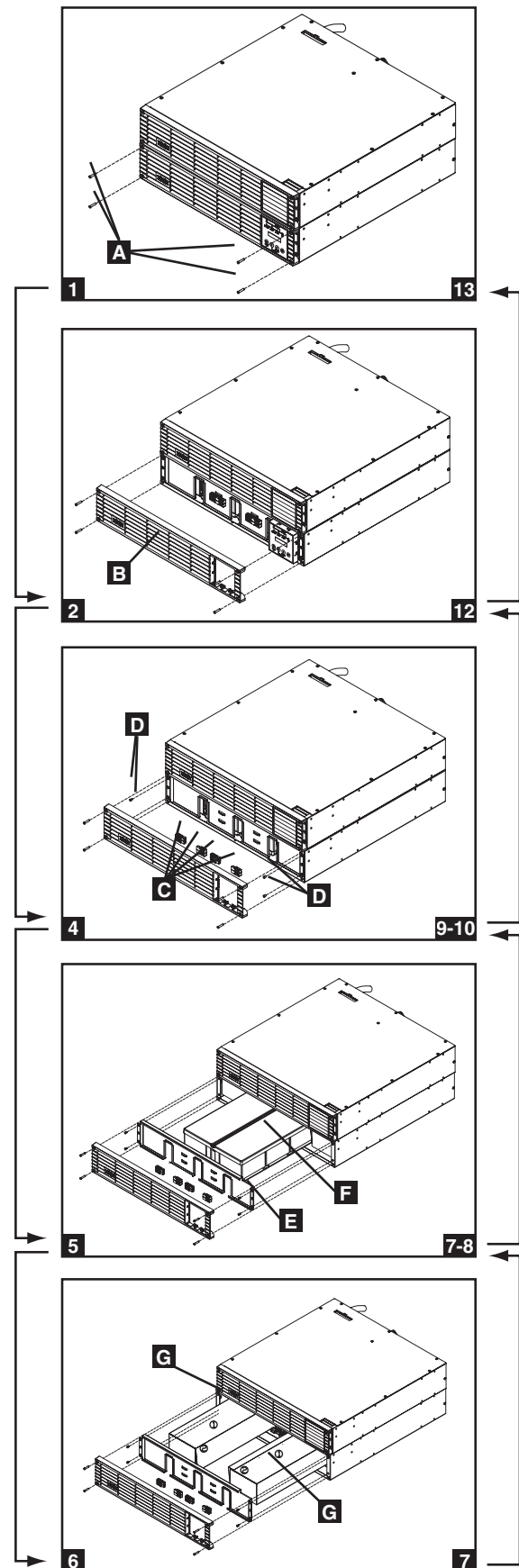
Your UPS will shut down and the LCD will display a message if it detects one of the following conditions. Note: During all these conditions, the “Input,” “Output” and “Bypass” LEDs will be illuminated.

<b>SHUTDOWN CONDITIONS</b>	<b>LCD DISPLAY MESSAGES</b>
Extended Overload	SHUT DOWN OVERLOAD XXX%
Output Short Circuit	SHUT DOWN O/P SHORT CIRCUIT
Bypass SCR Short Circuit	SHUT DOWN BYPASS SCR FAIL
Input SCR Rectifier Fails	SHUT DOWN RECTIFIER SCR FAIL
Inverter Output Short Circuit	SHUT DOWN INVERTER FAIL
Output SCR Failure	SHUT DOWN OUTPUT SCR FAIL
Input Fuse Open	SHUT DOWN I/P FUSE BROKEN
Output Fuse Open	SHUT DOWN O/P FUSE BROKEN
Parallel Wire Connection Failure	SHUT DOWN PARALLEL FAULT
Internal Faults	SHUT DOWN + DC BUS HIGH
	SHUT DOWN + DC BUS LOW
	SHUT DOWN - DC BUS HIGH
	SHUT DOWN - DC BUS LOW
	SHUT DOWN BUS OVP FAIL
	SHUT DOWN OVERTEMPERATURE

## Internal Battery Replacement

Under normal conditions, the original batteries in your UPS will last many years. See Safety section before replacing batteries. The batteries are designed for hot-swap replacement (i.e. leaving the UPS ON), but some qualified service personnel may wish to completely turn the UPS OFF and disconnect equipment before proceeding. It is suggested that you remove the batteries before the installation process.

- 1 Remove the screws **A** which secure the front bezel.
- 2 Separate the front bezel **B** from the front panel.
- 3 Remove the battery connector snap covers. Save these covers for reuse.
- 4 Disconnect the battery connectors **C** and remove the screws **D** that secure the battery retention bracket in place.
- 5 Remove the battery retention bracket **E** and remove/recycle the middle battery pack **F**.
- 6 Remove/recycle the side battery packs **G**.
- 7 Replace the battery packs **F** and **G**.
- 8 Re-attach the battery retention bracket **E**.
- 9 Replace the screws **D** to secure the battery retention bracket in place.
- 10 Connect the battery connectors **C**. Attach connectors black-to-black, red-to-red, white-to-white and green-to-green.
- 11 Reinstall the battery connector snap covers.
- 12 Replace the front bezel **B**.
- 13 Replace the screws **A** to secure the front bezel in place.



## Storage and Service

### Storage

Before storing your UPS, turn it completely OFF. If you store your UPS for an extended period of time, recharge the UPS batteries for 4 to 6 hours once every three months. Note: after you connect the UPS to utility power, it will automatically begin charging its batteries. If you leave your UPS batteries discharged for an extended period of time, they will suffer a permanent loss of capacity.

### Service

Your Tripp Lite product is covered by the warranty described in this manual. A variety of Extended Warranty and On-Site Service Programs are also available from Tripp Lite. For more information on service, visit [www.tripplite.com/support](http://www.tripplite.com/support). Before returning your product for service, follow these steps:

1. Review the installation and operation procedures in this manual to insure that the service problem does not originate from a misreading of the instructions.
2. If the problem continues, do not contact or return the product to the dealer. Instead, visit [www.tripplite.com/support](http://www.tripplite.com/support).
3. If the problem requires service, visit [www.tripplite.com/support](http://www.tripplite.com/support) and click the Product Returns link. From here you can request a Returned Material Authorization (RMA) number, which is required for service. This simple on-line form will ask for your unit's model and serial numbers, along with other general purchaser information. The RMA number, along with shipping instructions will be emailed to you. Any damages (direct, indirect, special or consequential) to the product incurred during shipment to Tripp Lite or an authorized Tripp Lite service center is not covered under warranty. Products shipped to Tripp Lite or an authorized Tripp Lite service center must have transportation charges prepaid. Mark the RMA number on the outside of the package. If the product is within its warranty period, enclose a copy of your sales receipt. Return the product for service using an insured carrier to the address given to you when you request the RMA.

## Warranty

### 2-Year Limited Warranty

Seller warrants this product, if used in accordance with all applicable instructions, to be free from original defects in material and workmanship for a period of 2 years (except internal UPS system batteries outside USA and Canada, 1 year) from the date of initial purchase. If the product should prove defective in material or workmanship within that period, Seller will repair or replace the product, in its sole discretion. Service under this Warranty can only be obtained by your delivering or shipping the product (with all shipping or delivery charges prepaid) to: Tripp Lite; 1111 W.35th Street; Chicago IL 60609; USA. Seller will pay return shipping charges. Visit [www.tripplite.com/support](http://www.tripplite.com/support) before sending any equipment back for repair.

THIS WARRANTY DOES NOT APPLY TO NORMAL WEAR OR TO DAMAGE RESULTING FROM ACCIDENT, MISUSE, ABUSE OR NEGLIGENCE. SELLER MAKES NO EXPRESS WARRANTIES OTHER THAN THE WARRANTY EXPRESSLY SET FORTH HEREIN. EXCEPT TO THE EXTENT PROHIBITED BY APPLICABLE LAW, ALL IMPLIED WARRANTIES, INCLUDING ALL WARRANTIES OF MERCHANTABILITY OR FITNESS, ARE LIMITED IN DURATION TO THE WARRANTY PERIOD SET FORTH ABOVE; AND THIS WARRANTY EXPRESSLY EXCLUDES ALL INCIDENTAL AND CONSEQUENTIAL DAMAGES. (Some states do not allow limitations on how long an implied warranty lasts, and some states do not allow the exclusion or limitation of incidental or consequential damages, so the above limitations or exclusions may not apply to you. This Warranty gives you specific legal rights, and you may have other rights which vary from jurisdiction to jurisdiction).

Tripp Lite; 1111 W.35th Street; Chicago IL 60609; USA

WARNING: The individual user should take care to determine prior to use whether this device is suitable, adequate or safe for the use intended. Since individual applications are subject to great variation, the manufacturer makes no representation or warranty as to the suitability or fitness of these devices for any specific application.

#### WARRANTY REGISTRATION

Visit [www.tripplite.com/warranty](http://www.tripplite.com/warranty) today to register the warranty for your new Tripp Lite product. You'll be automatically entered into a drawing for a chance to win a FREE Tripp Lite product!\* \* No purchase necessary. Void where prohibited. Some restrictions apply. See website for details.

#### Regulatory Compliance Identification Numbers

For the purpose of regulatory compliance certifications and identification, your Tripp Lite product has been assigned a unique series number. The series number can be found on the product nameplate label, along with all required approval markings and information. When requesting compliance information for this product, always refer to the series number. The series number should not be confused with the marking name or model number of the product.

#### WEEE Compliance Information for Tripp Lite Customers and Recyclers (European Union)

Under the Waste Electrical and Electronic Equipment (WEEE) Directive and implementing regulations, when customers buy new electrical and electronic equipment from Tripp Lite they are entitled to:

- Send old equipment for recycling on a one-for-one, like-for-like basis (this varies depending on the country)
- Send the new equipment back for recycling when this ultimately becomes waste

Tripp Lite follows a policy of continuous improvement. Product specifications are subject to change without notice.



1111 W. 35th Street, Chicago, IL 60609 USA • [www.tripplite.com/support](http://www.tripplite.com/support)

201207113 • 933070-EN Rev C

# Manual del propietario

## SmartOnline™ Monofásico 5kVA–6kVA

### Sistemas UPS en línea inteligentes (para montar en rack/torre)

- Incluye el sistema UPS con sistema de baterías internas (5&6kVA), PDU desmontable y módulos PDU paralelos desmontables (6kVA) • Adaptable para montar en rack y en torre

*No es adecuado para aplicaciones móviles*

<b>Instrucciones de seguridad importantes</b>	<b>31</b>
<b>Montaje</b>	<b>32</b>
<b>Características</b>	<b>33</b>
<b>Conexión</b>	<b>38</b>
<b>Conexión opcional</b>	<b>41</b>
<b>Operación de derivación manual</b>	<b>43</b>
<b>Funcionamiento</b>	<b>44</b>
<b>Reemplazo de la batería interna</b>	<b>57</b>
<b>Almacenamiento y mantenimiento</b>	<b>58</b>
<b>Garantía</b>	<b>58</b>
<b>English</b>	<b>1</b>
<b>Français</b>	<b>59</b>
<b>Русский</b>	<b>88</b>



Excelencia en  
Manufactura.

1111 W. 35th Street, Chicago, IL 60609 USA • [www.tripplite.com/support](http://www.tripplite.com/support)

Copyright © 2012 Tripp Lite. Todos los derechos reservados. SmartOnline es una marca registrada de Tripp Lite.

# Instrucciones de seguridad importantes



GUARDE ESTAS INSTRUCCIONES Este manual contiene instrucciones y advertencias importantes que deben seguirse durante la instalación y el mantenimiento de este producto. La falta de observar estas advertencias podría afectar su garantía.

## Advertencias de ubicación del UPS

- Instale el UPS en una zona estructuralmente sana. El UPS es extremadamente pesado, tenga cuidado al mover y elevar la unidad.
- Opere el UPS únicamente en temperatura ambiente interior entre 32° y 104 °F (0 °C y 40° C). Para obtener los mejores resultados, mantenga la temperatura interior entre 62 °F y 84 °F (17 °C y 29 °C).
- Deje espacio suficiente alrededor del sistema UPS para una ventilación adecuada.
- No coloque el UPS cerca de medios de almacenamiento magnéticos, podría causar corrupción de datos.
- **No monte la unidad con el panel frontal o trasero orientado hacia abajo (en cualquier ángulo). Si la monta de esta manera inhibirá gravemente la capacidad de enfriamiento interno de la unidad, lo que eventualmente provocará daños en el producto no cubiertos por la garantía.**

## Advertencias de conexión del UPS

- Aísle el UPS antes de trabajar en su circuito.
- El suministro de energía de la unidad debe estar clasificado como monofásico según la placa de identificación del equipo. También debe estar adecuadamente conectada a tierra.

## Advertencias de conexión del equipo

- No se recomienda usar este equipo en aplicaciones de mantenimiento artificial de la vida, donde se puede esperar razonablemente que su falla cause la falla del equipo de mantenimiento de la vida o que afecte de manera importante su seguridad o eficiencia. No use este equipo en presencia de mezclas anestésicas inflamables con aire, oxígeno u óxido nitroso.
- Conecte el terminal de conexión a tierra del módulo de potencia del UPS a un conductor de electrodos de conexión a tierra.
- El UPS está conectado a una fuente de alimentación CC (batería). Las terminales de salida pueden tener corriente aún cuando el sistema de UPS no esté conectado a una fuente de CA.

## Advertencias de mantenimiento

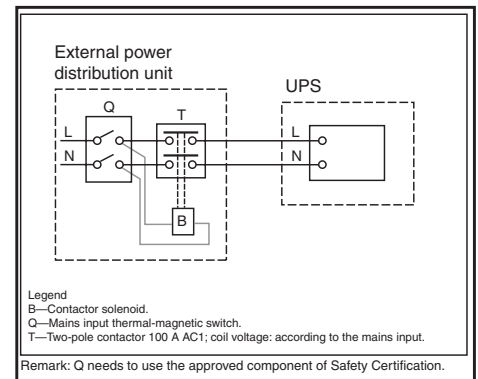
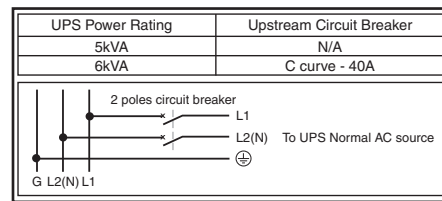
- El módulo de potencia y los módulos de batería del UPS no requieren mantenimiento de rutina. No los abra bajo ninguna circunstancia. No tiene partes internas que el usuario pueda reparar.

## Advertencias sobre las baterías

- Conecte sólo módulos de batería de Tripp Lite (del tipo y voltaje correctos) al conector de batería externo del módulo de potencia.
- Las baterías pueden presentar el riesgo de descargas eléctricas y de causar quemaduras por cortocircuitos de alta tensión. Tome las precauciones necesarias. No deseches las baterías en el fuego. No abra el UPS ni las baterías. No haga cortocircuito ni puente en los terminales de la batería con ningún objeto. Antes de cambiar la batería, desenchufe y apague el UPS. Utilice herramientas con mangos aislados. Dentro del UPS no hay partes que el usuario pueda reparar. El reemplazo de baterías debe hacerlo sólo el personal de servicio autorizado utilizando el mismo número y tipo de baterías (de ácido de plomo selladas). Las baterías se pueden reciclar. Consulte las normas locales para obtener los requisitos de desecho o visite [www.tripplite.com/UPSbatteryrecycling](http://www.tripplite.com/UPSbatteryrecycling) para observar la información de reciclado. Tripp Lite ofrece una línea completa de Cartuchos de baterías de reemplazo (R.B.C.) para sistemas UPS. Visite Tripp Lite en la Web en [www.tripplite.com/support/battery/index.cfm](http://www.tripplite.com/support/battery/index.cfm) para buscar la batería de reemplazo específica para su UPS.
- Los fusibles deben ser reemplazados sólo por personal autorizado por la fábrica. Los fusibles dañados sólo deben reemplazarse por fusibles del mismo número y tipo.
- Sólo personal capacitado debe llevar a cabo el mantenimiento y la reparación. Antes de cualquier trabajo de mantenimiento realizado en módulos de potencia conectados permanentemente, deben apagarse o derivarse manualmente mediante un transformador. Antes de realizar el mantenimiento en módulos de potencia que se conecten directamente a tomacorrientes de pared, deben apagarse y desenchufarse. Tenga en cuenta que existen voltajes potencialmente mortales dentro de la unidad siempre que el suministro de la batería esté conectado.
- No conecte ni desconecte los módulos de baterías mientras el UPS esté funcionando por el suministro de la batería, o cuando el módulo del transformador no esté en modo de derivación (si el sistema UPS incluye un módulo de transformador con un interruptor de derivación).
- Durante el reemplazo del módulo de baterías “en funcionamiento”, el UPS no podrá proporcionar respaldo de baterías en el caso de un apagón.
- Conecte sólo módulos de baterías compatibles.

## Dispositivos de protección requeridos y cortes transversales del cable

### Protección recomendada para contracorriente.



# Montaje

Monte el equipo en un rack de bastidor o rack de 2 ó 4 puestos. El usuario debe determinar la aptitud de las herramientas y los pasos antes de montarlo. Si las herramientas o los procedimientos no son adecuados para la aplicación, comuníquese con el fabricante del rack o del rack de bastidor. Las instrucciones de este manual son para racks comunes y racks de bastidor y pueden no ser adecuadas para todas las aplicaciones.

## 4-Tras el montaje

**1** Los pasadores plásticos incluidos **A** soportarán en forma temporal a los estantes vacíos del montaje en rack **B** mientras instala las herramientas de montaje permanente. Inserte un pasador cerca del centro del soporte frontal y trasero de cada estante como se muestra en la imagen. (Cada soporte frontal posee 6 orificios y cada soporte trasero posee 3 orificios). Los pasadores se ajustarán en su lugar.

Tras instalar los pasadores, expanda cada estante para que coincidan con la profundidad de los rieles del rack. Los pasadores pasarán a través de los orificios cuadrados en los rieles del rack para soportar los estantes. Consulte las etiquetas de la unidad del rack para confirmar que los estantes estén nivelados en todas las direcciones. **Nota: El borde del soporte de cada estante debe estar orientado hacia adentro.**

**2** Asegure los estantes **B** a los rieles de montaje en forma permanente mediante los tornillos y arandelas cóncavas **C** incluidos como se muestra en la figura.

- Para montajes de equipos en 4U, coloque 6 tornillos en total en la parte frontal y 4 tornillos en total en la parte trasera. Apriete todos los tornillos antes de continuar.

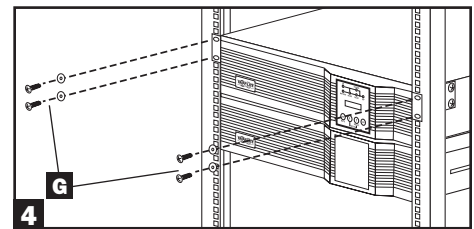
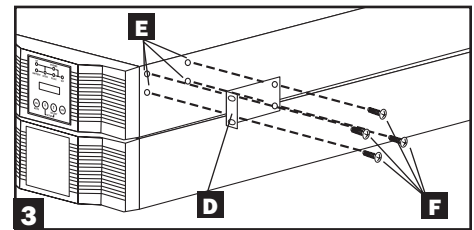
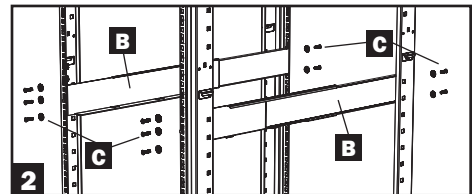
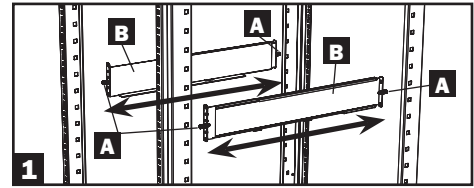
**Advertencia: No intente instalar el equipo hasta que haya insertado y ajustado los tornillos necesarios. Los pasadores plásticos no soportarán el peso del equipo.**

**3** Una las orejas de montaje **D** a los orificios de montaje de la parte frontal del equipo **E** utilizando los tornillos suministrados **F**. Las orejas deben estar hacia el frente.

**Nota:** Antes de la instalación, es recomendable retirar las baterías internas del UPS. Esto eliminará el peso excesivo y permitirá un manejo más seguro del equipo. Consulte la sección de Reemplazo de la Batería Interna, para las instrucciones del reemplazo de la batería.

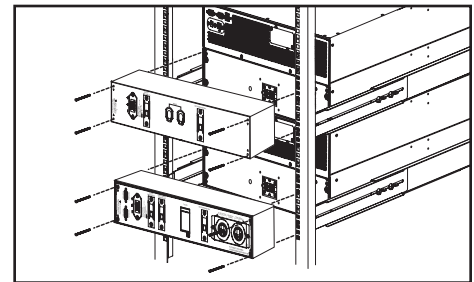
**4** Con la ayuda de un asistente, eleve el equipo y deslícelo en los estantes de montaje. Una el equipo al rack pasando los tornillos, las tuercas y las arandelas (suministrados por el usuario)

**G** a través de las orejas de montaje y en los rieles del rack. Asegúrese de utilizar rieles de rack individuales para cada componente.



## Configuración para UPS de 12kVA —SU12KRT4UHW Únicamente (Usando 2 Módulos de Potencia de 6kVA)

Consulte el manual incluido con el PDU paralelo para la instalación del SU12KRT4UHW.



## 2-Tras el montaje (Opcional)

Para instalar su UPS de 5kVA ó 6kVA en un rack de 2 postes, debe adquirir un Kit para instalación en Rack de 2 Postes de Tripp Lite (modelo: 2POSTRMKITHD, se vende por separado) por cada módulo de potencia y módulo de baterías instalado. Consulte el manual del propietario del Kit de instalación para obtener las instrucciones completas de montaje.

Nota: No se recomienda la instalación en 2 postes para sistemas UPS de 12kVA.

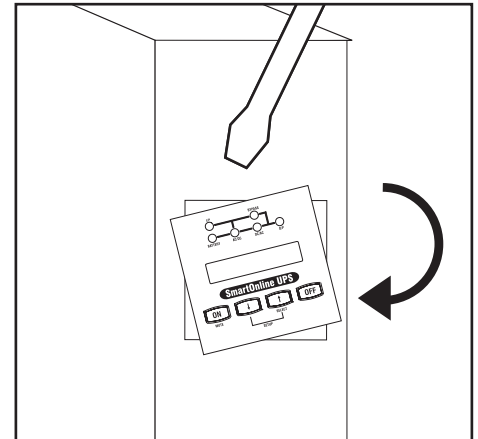


# Montaje

## Montaje en torre

Para instalar el UPS en una posición vertical (En torre), se requiere el accesorio 2-9USTAND de Tripp Lite (se vende por separado).

Una vez instalado, gire el Panel de Control del módulo de potencia para una visualización más fácil mientras el UPS esté en posición vertical. Inserte un desatornillador pequeño, u otra herramienta, en las ranuras en cualquier lado del Panel de Control. Extraiga el panel, gírelo, e inserte el panel de nuevo en su sitio.

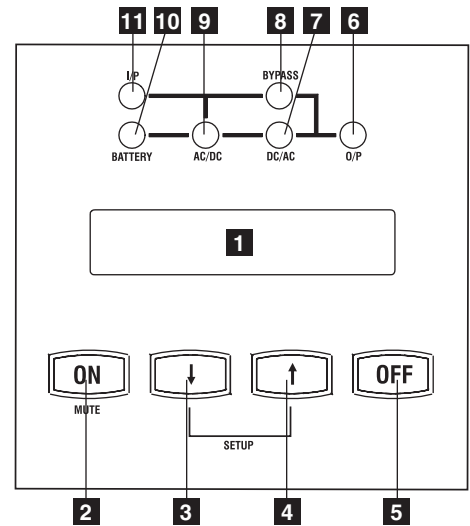


# Características

Antes de instalar y hacer funcionar el UPS, debe familiarizarse con la ubicación y función de las características de cada componente.

## Controles del panel frontal del módulo de potencia

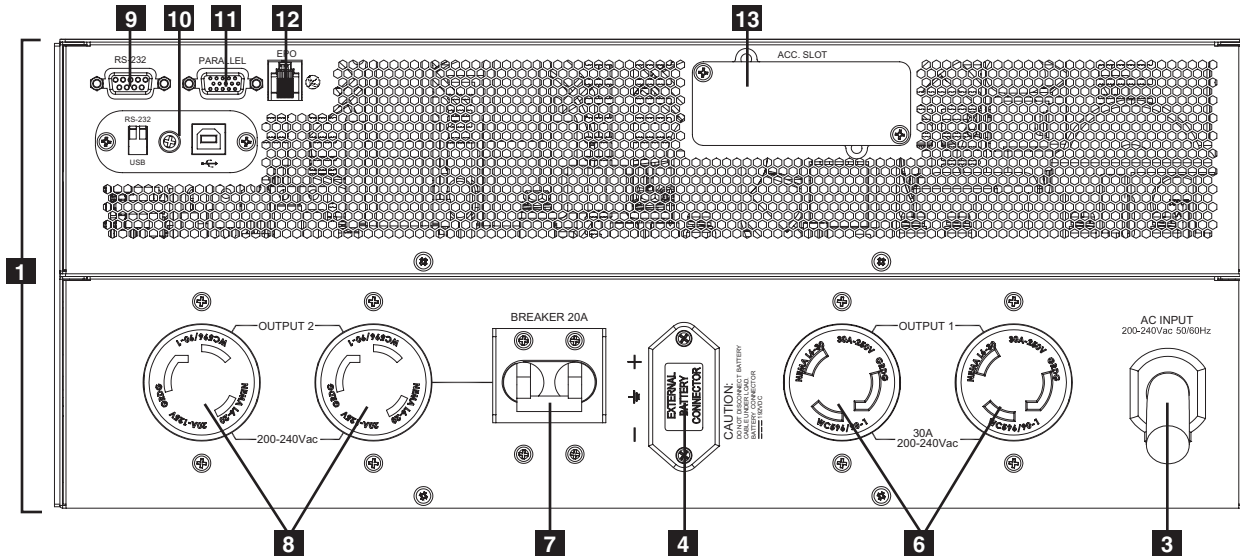
- 1 PANTALLA LCD:** La pantalla de matriz de puntos (16 × 2 caracteres) con luz de fondo indica una amplia gama de condiciones de funcionamiento del UPS y datos de diagnóstico. También muestra la configuración y opciones del UPS cuando está en modo de configuración.
- 2 BOTÓN ON/MUTE (Encendido/Silencio):** Pulse este botón y manténgalo pulsado para escuchar un pitido que enciende el inversor del sistema UPS. Si suena la alarma de la batería del UPS, pulse este botón para silenciarla.
- 3 BOTÓN SCROLL DOWN/EXIT SETUP (Desplazar hacia abajo/Salir de la configuración):** Este botón permite examinar distintas opciones y lecturas de energía en la pantalla LCD. Si lo pulsa momentáneamente, el LCD mostrará una lectura de energía distinta (consulte "Funcionamiento"). Si lo pulsa junto con el botón SCROLL UP (Desplazarse hacia arriba), el UPS se colocará en modo de configuración, y este botón se utilizará para desplazarse a través de las opciones de configuración y salir de este modo.
- 4 BOTÓN SCROLL UP/SELECT (Desplazarse hacia arriba/Seleccionar):** Este botón permite examinar distintas opciones y lecturas de energía en la pantalla LCD. Si lo pulsa momentáneamente, el LCD mostrará una lectura de energía distinta (consulte "Funcionamiento"). Si lo pulsa junto al botón SCROLL DOWN, el UPS se colocará en modo de configuración, y este botón se utilizará para seleccionar las opciones de configuración.
- 5 BOTÓN OFF (Apagado):** Pulse este botón hasta escuchar un bip que apaga el inversor del sistema UPS.
- 6 LED DE O/P (OUTPUT) (Salida):** Esta luz verde se iluminará para indicar que el UPS está suministrando alimentación CA a los equipos conectados.
- 7 LED DE CC/CA (INVERTER) (Inversor):** Esta luz verde se iluminará para indicar que se activó el inversor CC/CA del UPS.
- 8 LED DE BYPASS (Derivación):** Esta luz amarilla destellará cuando el UPS proporcione alimentación de la red pública filtrada sin encender el convertidor o el inversor. Si destella este LED, los equipos conectados no recibirán energía de la batería en caso de un apagón. Si está activado el Modo Económico, este LED estará encendido permanentemente y los equipos conectados recibirán energía en caso de un apagón.
- 9 LED DE CA/CC (Converter) (Conversor):** Esta luz verde se iluminará para indicar que el conversor CA/CC del UPS está cargando los módulos de baterías conectados.
- 10 LED BATTERY (Batería):** Esta luz verde se iluminará cuando el UPS esté descargando la batería para proporcionar alimentación CA a los equipos conectados. Sonará una alarma, que puede silenciarse con el botón ON/MUTE. Este LED permanecerá iluminado hasta que se silencie la alarma.
- 11 LED DE I/P (INPUT) (Entrada):** Esta luz verde se iluminará para indicar que existe un suministro de entrada de CA.



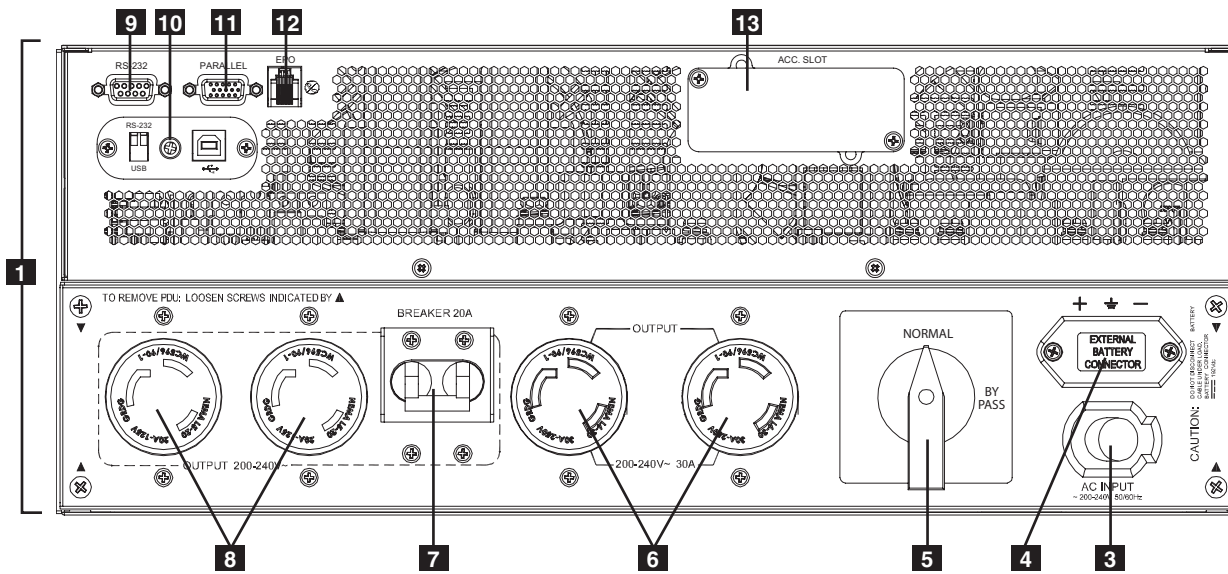
# Características (Panel trasero)

Consulte la sección “Características (Panel trasero)” para observar las descripciones de la característica

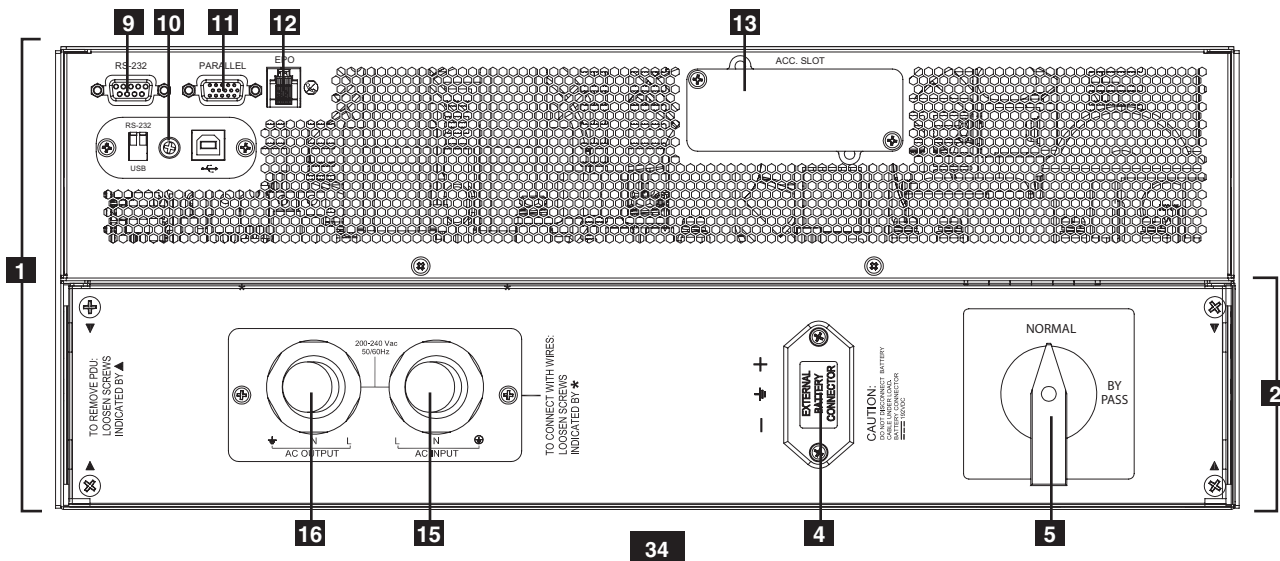
## SU5000RT4UHV—Sistema UPS 5kVA



## SU6000RT4UHV—Sistema UPS 6kVA con PDU NEMA



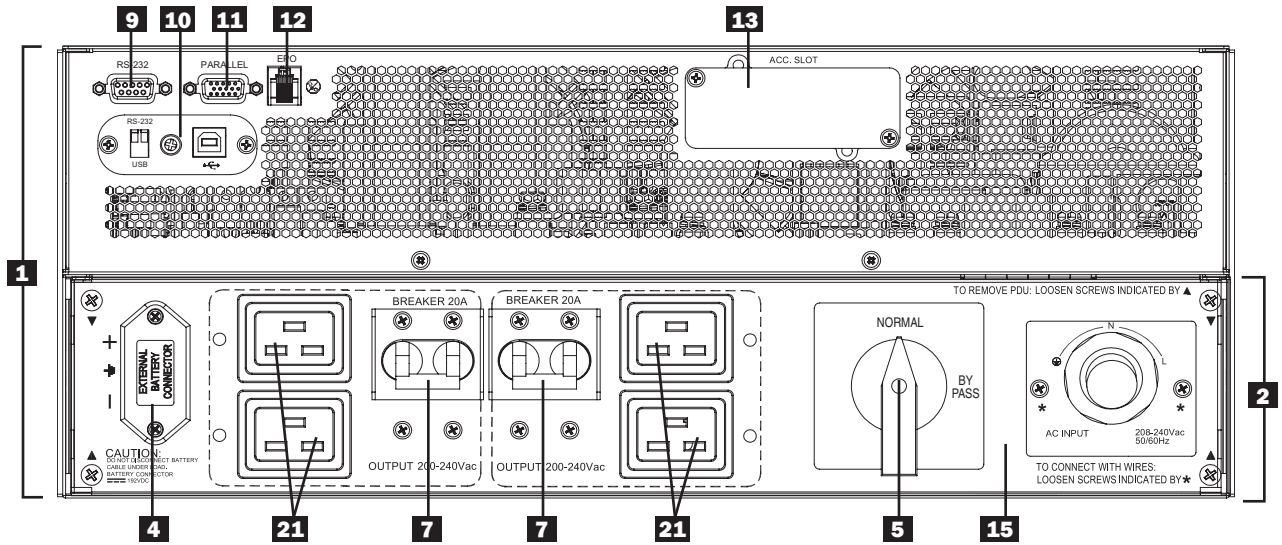
## SU6000RT4UHVHW—Sistema UPS 6kVA con PDU conectada permanente



# Características (Panel trasero)

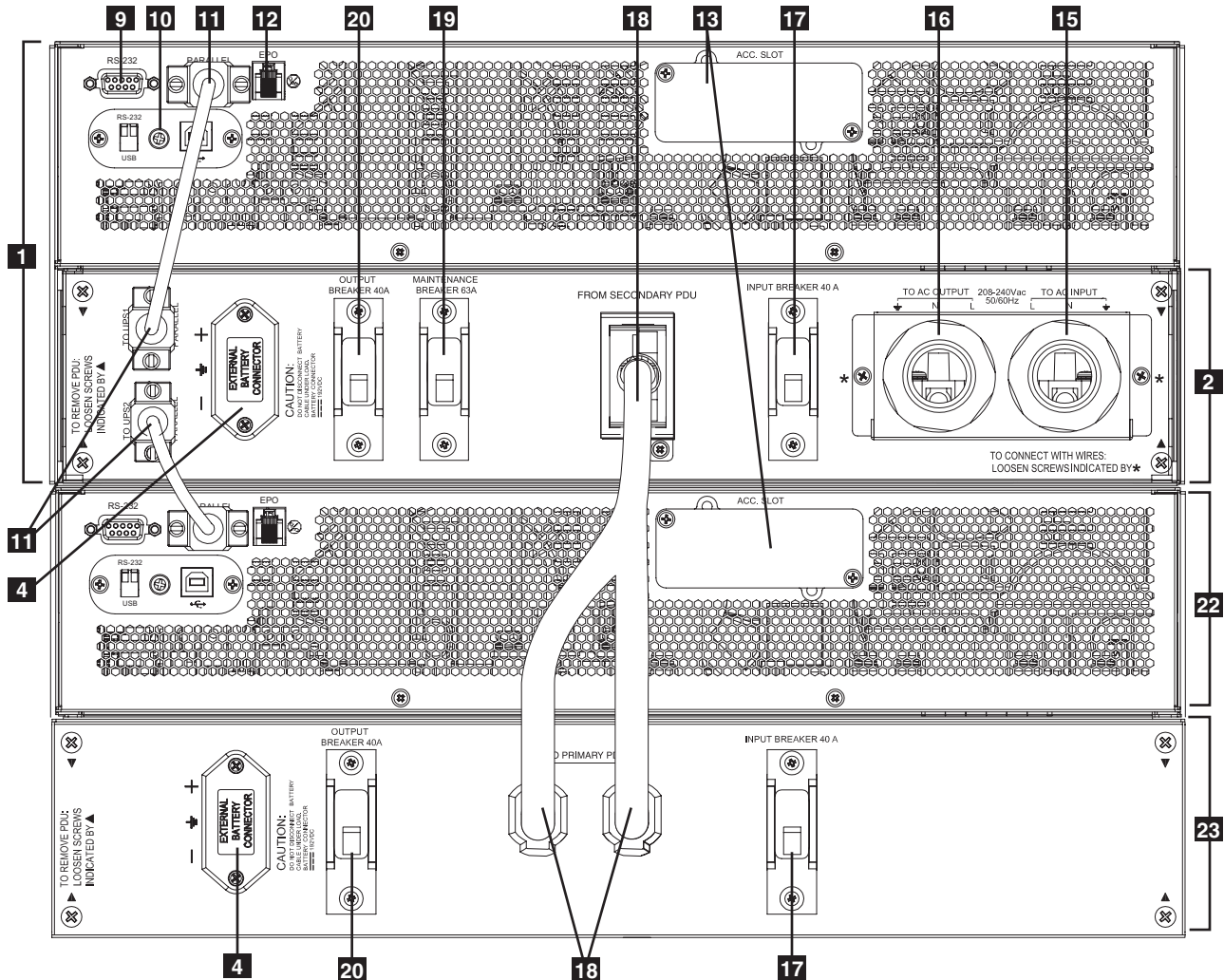
Consulte la sección “Características (Panel trasero)” para observar las descripciones de la característica

## SU600RT4UHV—Sistema UPS 6kVA con PDU IEC



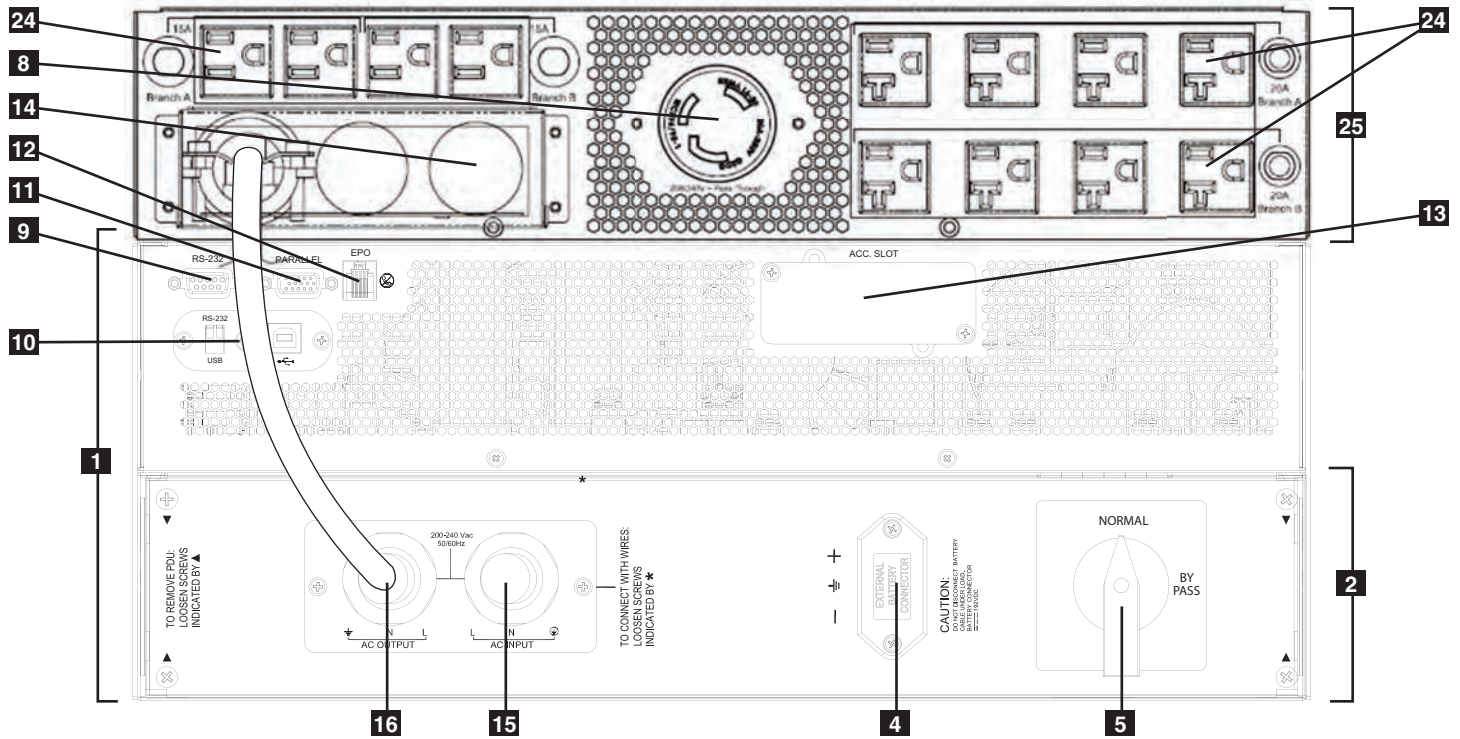
## SU12KRT4UHW—Sistema de UPS de 12kVA y Módulos PDU paralelos

Nota: Para las instrucciones de instalación, configuración y puesta a punto del sistema de 12kVA, consulte el manual incluido con el PDU Paralelo.

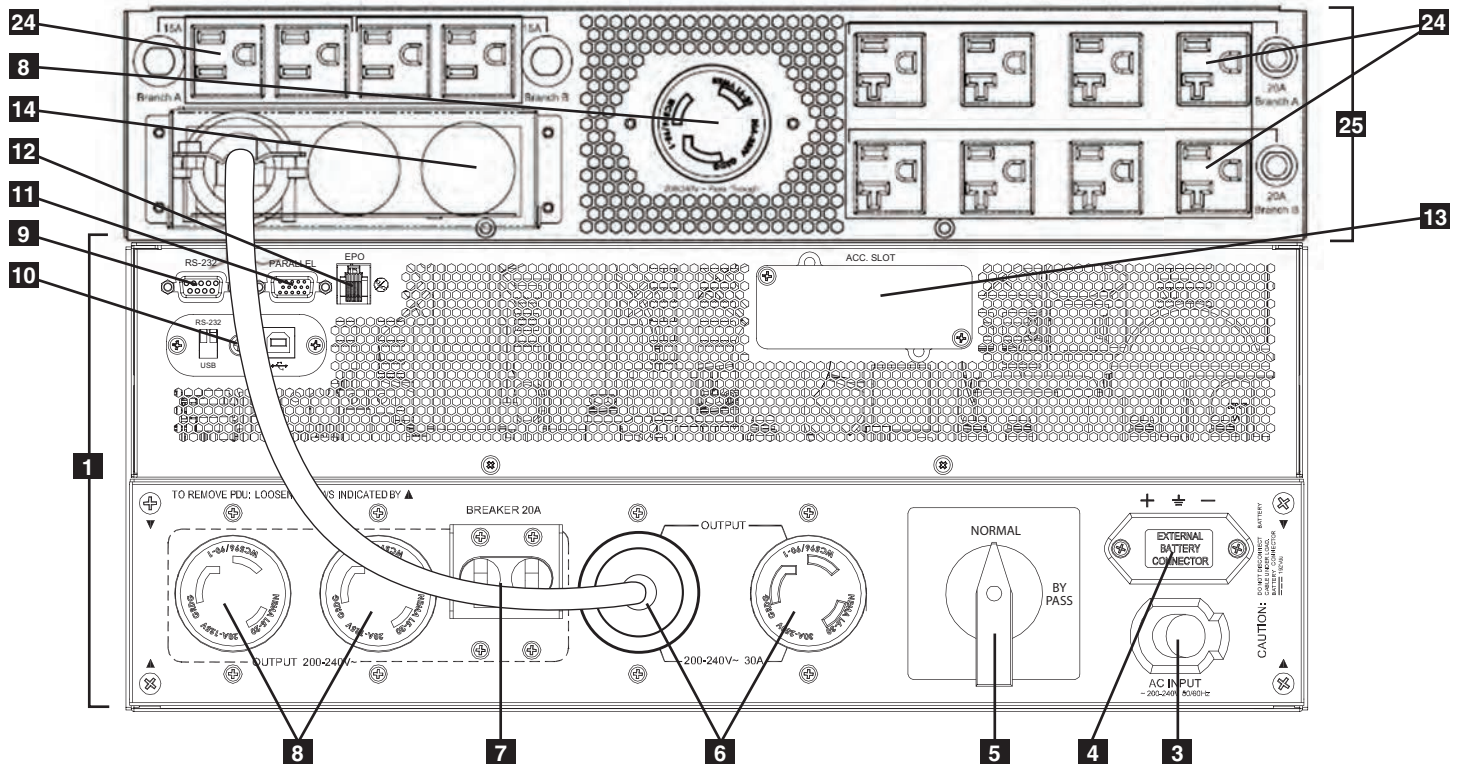


## Características (Panel trasero)

### SU6000RT4UTFHW—UPS de 6kVA con PDU Con Instalación Eléctrica Permanentemente y Transformador Reductor de Aislamiento de 6kVA (SU6000XFM2U)



### SU6000RT4ITE—UPS de 6kVA con PDU NFMA y Transformador de Aislamiento de 6kVA



## Características (Panel trasero)

- 1 Sistema UPS:** Esta unidad redundante aloja la alimentación del sistema UPS y los componentes de control, junto con las baterías internas.
- 2 Unidad de distribución de energía (PDU) independiente y desmontable:** Esta unidad redundante aloja los componentes de entrada y salida del UPS, junto con el interruptor de derivación. Cuando el interruptor se establece en derivación, la PDU puede extraerse completamente del módulo de potencia/batería para el mantenimiento de rutina de alimentación/batería sin interrumpir la alimentación a las cargas conectadas. Mientras este interruptor esté establecido en derivación, los equipos conectados recibirán energía de CA de la red pública sin filtrar pero, en caso de un apagón, no recibirán energía de batería.
- 3 Cable de entrada CA:** Se conecta directamente a un receptáculo de pared que proporcione 200-240V de alimentación CA de la energía del servicio.
- 4 Conector de la batería externa:** Utilícelo para conectar uno o más módulos de baterías de Tripp Lite al módulo de potencia. Extraiga la cubierta para obtener acceso. El módulo de potencia no se iniciará sin una conexión al módulo de batería cargado. Consulte el Manual del propietario del módulo de la batería para obtener las instrucciones de conexión y las advertencias de seguridad.
- 5 Interruptor de derivación de mantenimiento:** Este interruptor permite al personal de servicio calificado retirar la PDU desmontable del módulo de potencia/batería para realizar el mantenimiento de rutina sin interrumpir la energía a las cargas conectadas. Mientras este interruptor esté establecido en derivación, los equipos conectados recibirán energía de CA de la red pública filtrada pero, en caso de un apagón, no recibirán energía de batería. Consulte la sección "Operación de derivación manual" para ver todo el procedimiento de derivación.
- 6 Receptáculos de salida CA L6-30R:** Aceptan conexión directa de los enchufes L6-30 NEMA de los equipos.
- 7 Disyuntor de salida 20A:** Un disyuntor de dos polos controla la alimentación de salida de los receptáculos indicados en cada modelo.
- 8 Receptáculos de salida CA L6-20R:** Aceptan conexión directa de los enchufes L6-20 NEMA de los equipos.
- 9 Puerto de comunicación RS-232:** El puerto serial DB9 hembra puede utilizarse para conectar el UPS a una estación de trabajo o servidor. Utiliza el protocolo RS-232 para comunicarse con el ordenador conectado. Se utiliza con el software de Tripp Lite y el cable serial incluido para monitorear y administrar el UPS en forma remota a través de una red y para guardar archivos abiertos automáticamente y apagar el equipo en caso de un apagón. Consulte la sección "Conexión opcional" para obtener detalles.
- 10 Miniranura:** Conector USB (desactivado en forma predeterminada—interruptores DIP en la posición RS-232. Para activarlo, mueva los dos interruptores DIP a la posición USB). En caso de ser necesario, se encuentra disponible una tarjeta de cierre de contactos opcional (N.º de pieza Tripp Lite RELAYIOMINI).
- 11 Conector paralelo:** Para la comunicación en paralelo del UPS (funciona sólo en el modelo 6kVA). Consulte el manual proporcionado con el juego de PDU Paralelo. Para obtener más información, visite [www.tripplite.com/support](http://www.tripplite.com/support).
- 12 Puerto EPO (Apagado de emergencia):** El módulo de potencia cuenta con un puerto EPO que puede utilizarse para conectar el módulo de potencia a un interruptor de cierre de contacto para habilitar el apagado de emergencia. Consulte la sección "Conexión opcional" para obtener detalles.
- 13 Ranura para accesorios:** Extraiga el pequeño panel de la cubierta para instalar accesorios opcionales para controlar y monitorear el sistema UPS en forma remota. Visite Tripp Lite en la Web ([www.tripplite.com](http://www.tripplite.com)) para conocer los productos de SNMP, administración de red y conectividad disponibles que pueden instalarse en esta ranura.
- 14 Bloque de Terminales de Entrada/Salida del Transformador de CA (sólo en UPS 6kVA):** Utilice este terminal para lograr una interfaz con un sistema PDU aprobado.
- 15 Bloque de terminales de entrada de la red pública (sólo en UPS 6kVA y en módulos 12kVA IEC/PARALELO/PERMANENTE):** Utilice estos terminales para conectar el módulo de potencia a la red pública. Para acceder al bloque, desatornille y retire la tapa por encima.
- 16 Bloque de terminales de salida de los equipos (sólo en UPS 6kVA y en módulos 12kVA IEC/PARALELO/PERMANENTE):** Utilice estos terminales para conectar el módulo de potencia a los equipos. Para acceder al bloque, desatornille y retire la tapa por encima.
- 17 Disyuntor de entrada CA:** Un disyuntor de dos polos controla la alimentación de entrada al módulo de potencia.
- 18 Interconexión de alimentación paralela:** Sólo para utilizar con PDU paralela secundaria.
- 19 Disyuntor de mantenimiento (Sólo UPS de 12kVA):** controla el mantenimiento del UPS.
- 20 Disyuntor de salida CA:** Un interruptor automático de dos polos proporciona rodeo para el sistema paralelo hacia la carga.
- 21 Receptáculos de salida CA (sólo en módulo PDU 6kVA UPS/ IEC):** Acepta conexión directa de los enchufes IEC-320-C20 de los equipos.
- 22 Módulo Secundario de UPS**
- 23 Módulo Secundario de PDU**
- 24 Tomacorrientes de CA 5-15/20R:** Acepta la conexión directa de clavijas NEMA 5-15P ó 5-20P de los equipos.
- 25 Transformador Reductor de Aislamiento:** Esta unidad autónoma proporciona un medio para conectar dispositivos tanto de bajo voltaje como de alto voltaje al sistema UPS.

## Conexión

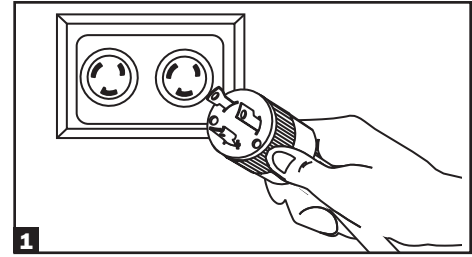
**Nota:** El voltaje de salida se establece en 208~(predeterminado) en la fábrica. Si desea cambiar el voltaje de salida del UPS, consulte “Selección del voltaje de salida” de la sección “Funcionamiento”. Debe seleccionar el voltaje de salida correcto antes de conectar los equipos al UPS.

### 1 Conecte el cable de entrada del UPS al tomacorriente eléctrico. (SU5000RT4UHV, SU5000RT4UTF, SU6000RT4UHV, SU6000RT4UTF)

El UPS debe estar conectado a un circuito dedicado de amperaje suficiente.

*Nota!* Después de conectar el UPS a una fuente activa de CA, el LCD del UPS mostrará “BYPASS MODE” (modo de rodeo) y cargará automáticamente sus baterías mientras proporciona energía en la salida.

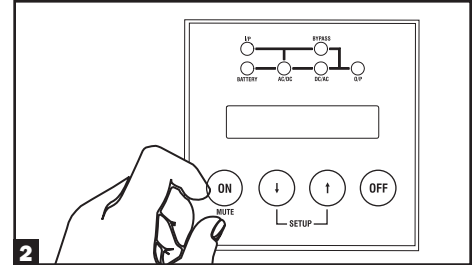
Si tiene un PDU con rodeo manual, coloque el interruptor de rodeo del PDU en “NORMAL”.



### 2 Encienda el UPS

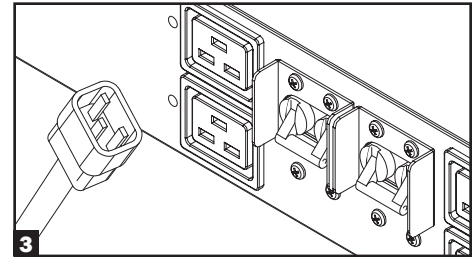
Pulse el botón “ON” del UPS hasta oír un pitido para comenzar la operación del inversor. El UPS un breve autotest y mostrará el resultado en la pantalla LCD. Consulte “Inicio del autotest” de la sección “Funcionamiento” para ver la secuencia de visualización. Su UPS proporcionará ahora energía filtrada a la salida de CA.

*Nota:* El sistema UPS funcionará adecuadamente desde la puesta en marcha inicial, no obstante, la autonomía máxima de la batería de la unidad solo se alcanzará después de que se haya cargado durante 24 horas.



### 3 Conecte los equipos al UPS.

El UPS está diseñado para admitir equipos electrónicos únicamente. El UPS se sobrecargará si el valor nominal de VA total para todos los equipos conectados excede la capacidad de salida del UPS. No conecte aplicaciones domésticas o impresoras láser a los tomacorrientes del UPS. Para verificar los valores de VA, busque en las placas de identificación. Si el equipo está numerado en amperios, multiplique el número de amperios por el voltaje de entrada (200V~240V) para determinar el VA. (Ejemplo: 1 amp x 208V = 208VA).



### 4 Apague el UPS (Opcional)

Pulse el botón “OFF” del UPS hasta sentir un pitido. Se le presentará la opción **Sí/No**.

Seleccione **Sí** para apagar la UPS. Seleccione **No** para cancelar. El UPS continuará cargando automáticamente sus baterías y proporcionando CA sin filtrar derivada [BYPASSED] mientras esté presente la entrada de energía de CA. Para desactivar completamente el UPS, desconecte el cable de entrada del UPS cuando el sistema esté en modo de espera.

### 5 Arranque en frío del UPS (Opcional)

Para utilizar el UPS como una fuente de alimentación independiente cuando no hay alimentación de entrada CA (por ejemplo, durante un apagón), puede “arrancar en frío” el UPS y los equipos conectados desde la batería del UPS. La batería del UPS debe estar cargada al menos parcialmente para realizar esta operación correctamente. Pulse y mantenga presionado el botón “ON” hasta escuchar un pitido para arrancar en frío el UPS. La pantalla LCD mostrará ON BATTERY MODE (En modo de batería). Comenzará a descargarse la energía de la batería. Es posible que algunos equipos electrónicos consuman más amperios durante el arranque; cuando arranque en frío, considere reducir la carga inicial en el sistema de UPS.

## Conexiones de entrada de la barra de terminales (SU6000RT4UHVHW, SU6000RT4UHV, SU6000RT4UTFHW)

*Nota:* Para información sobre la Instalación Eléctrica Permanente de SU12KRT4UHW, consulte el manual incluido con el PDU Paralelo.

### Precauciones al realizar una instalación eléctrica permanente

- El cableado debe tenderlo un electricista calificado.
- Cuando se realicen las conexiones del cableado, cerciúrese de cumplir en todo momento con las regulaciones correspondientes de su zona (por ej. National Electrical Code (NEC), en los EE. UU.). Asegúrese también de instalar un interruptor para desconexión que sea de fácil acceso, de manera tal que pueda cortar la entrada de CA al UPS durante incendios y otras emergencias. Asegúrese de que todos los cables poseen funda y que están asegurados por sujetadores de conexión. Ajuste las conexiones con un torque no inferior a 24-28 pulgadas/libra (2,7-3,2 NM).
- Cerciúrese de que su equipo cuenta con la conexión a tierra apropiada.
- El uso de cables del calibre incorrecto puede dañar el equipo y causar incendios. Elija el cableado y los circuitos de protección apropiados para realizar las conexiones. Los conductores a tierra tienen que ser del mismo calibre y tipo que los conductores de potencia.
- Consulte las directivas del National Electrical Code (NEC) para los requisitos de calibre de cableado y circuito de protección de salida apropiados.

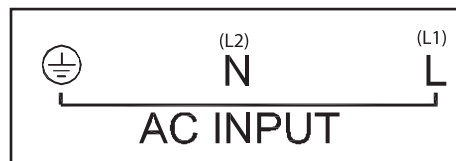
## Conexión (continuación)

### Conexión de la banda de terminales-Módulo de PDU IEC (SU6000RT4UHV G)

Modelo	Voltaje de entrada	Corriente de entrada máxima calificada	Tamaño de cable típico
SUPDMB6KIEC	200~240V (L-N)	30A	8 mm <sup>2</sup>

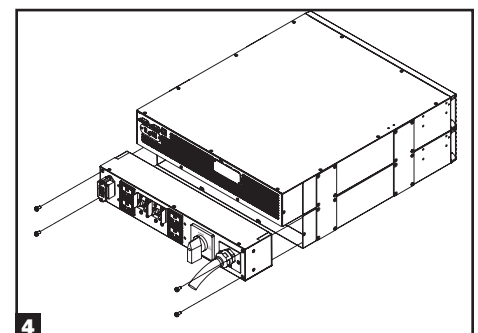
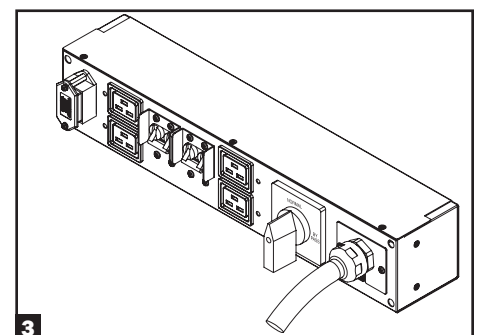
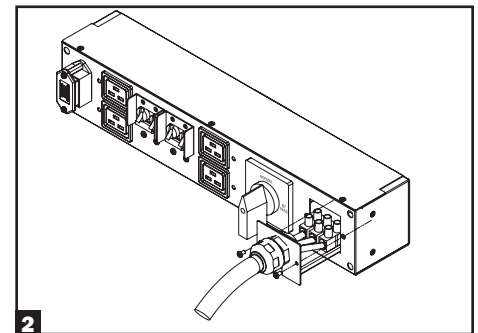
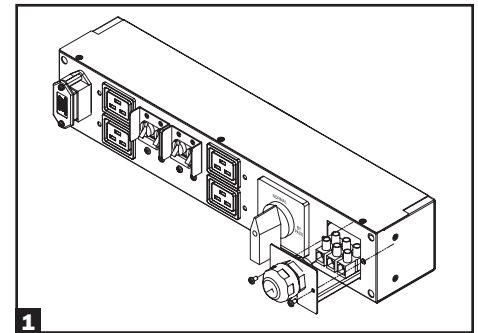
**1** Desatornille los tres tornillos para extraer la cubierta de la banda de terminales y deslice hacia afuera como se muestra en el diagrama 1.

**2** Conecte los cables L1, L2 y de conexión a tierra (Entrada de conexión permanente, Salida de receptáculo) de acuerdo a las marcas de los conectores como se muestra en el diagrama 2.



**3** Deslice hacia adentro y vuelva a unir la cubierta de la banda de terminales con los tres tornillos del Paso 1.

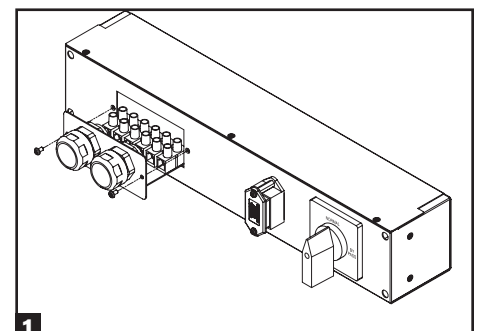
**4** Una la PDU al sistema UPS utilizando 4 tornillos como se muestra en el diagrama 4.



### Conexión de la banda de terminales—Módulos de PDU de conexión permanente (SU6000RT4UHVHW, SU6000RT4UTHFW)

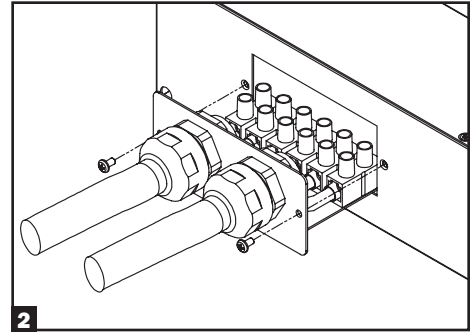
Modelo	Voltaje de entrada	Corriente de entrada máxima calificada	Corriente de salida máxima calificada	Tamaño de cable típico
SUPDMB6KHW	200~240V (L-N)	32A	30A	8 mm <sup>2</sup>

**1** Desatornille los tres tornillos para extraer la cubierta de la banda de terminales y deslice hacia afuera como se muestra en el diagrama 1.

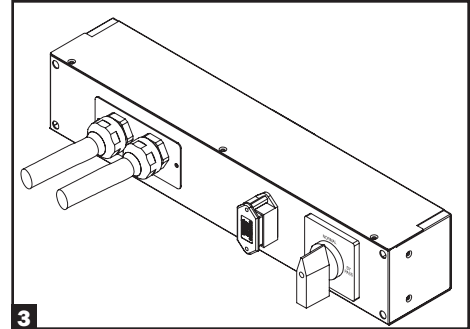


## Conexión (continuación)

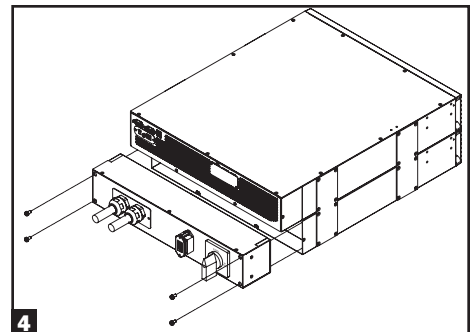
- 2** Conecte los dos conjuntos de cables L1, L2 y de conexión a tierra (1 entrada, 1 salida) según las marcas en los conectores como se muestra en el diagrama 2. Asegúrese de conectar un conjunto de cables a los terminales de entrada y el otro a los terminales de salida.



- 3** Deslice hacia adentro y vuelva a unir la cubierta de la banda de terminales con los 3 tornillos del Paso 1.



- 4** Una la PDU al sistema UPS utilizando 4 tornillos como se muestra en el diagrama 4.



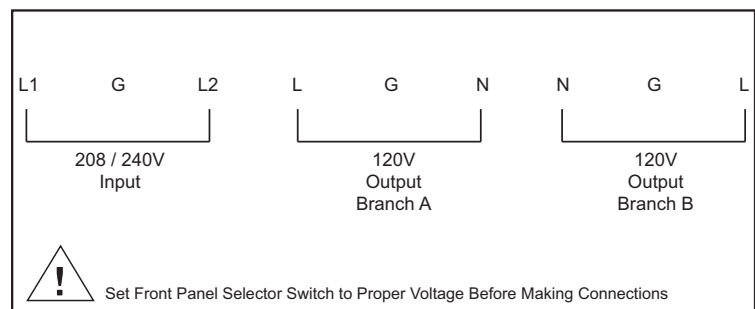
## Instalación Eléctrica Permanente del Arnés del Transformador (Entrada/Salida)

### SU6000RT4UTF

1. Enchufe el XFMR en el UPS.
2. Conecte el transformador al UPS. Ésta puede ser una conexión mediante una Instalación Eléctrica permanente, conexión de tomacorrientes o ambas, previendo que la carga conectada no exceda la capacidad.

### SU12KRT4UHW

Para la conexión, puesta a punto e instalación, consulte el manual incluido con el PDU Paralelo.





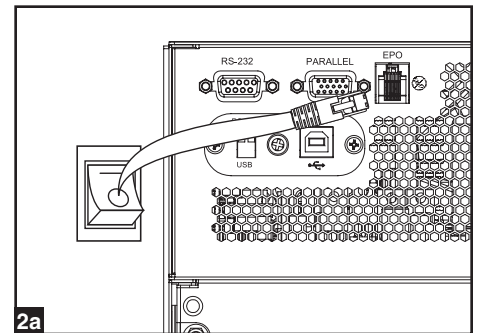
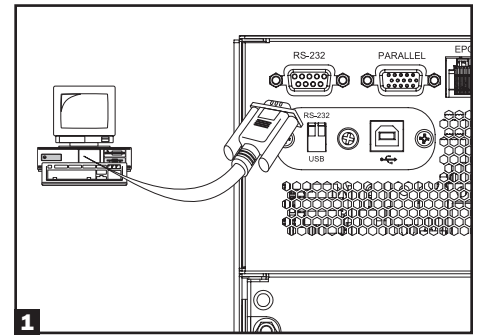
## Conexión opcional

Las siguientes conexiones son opcionales. El sistema UPS funcionará correctamente sin estas conexiones.

### 1 Conexiones de comunicación serial y USB RS-232

Utilice el cable incluido para conectar el puerto "RS-232" del módulo de potencia al puerto de comunicación del ordenador. Esto permitirá el control y monitoreo de red totales del sistema UPS. Instale el software PowerAlert de Tripp Lite en su ordenador, según el sistema operativo instalado. El UPS también está equipado con un módulo de comunicación USB.

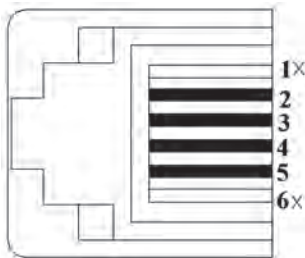
En caso de ser necesario, se encuentra disponible un módulo de cierre de contactos alternativo (N.º de pieza Tripp Lite RELAYIOMINI). De manera predeterminada, este módulo está deshabilitado. Para habilitarlo, mueva los interruptores DIP a la posición USB. Si habilita este módulo, se deshabilita el puerto RS-232. El puerto RS-232 también se desactiva con la instalación de una tarjeta SNMP/Web opcional (N.º de pieza de Tripp Lite SNMPWEBCARD). La tarjeta SNMP/Web puede utilizarse en forma simultánea con el módulo de comunicación USB.



### 2 Conexión del puerto EPO

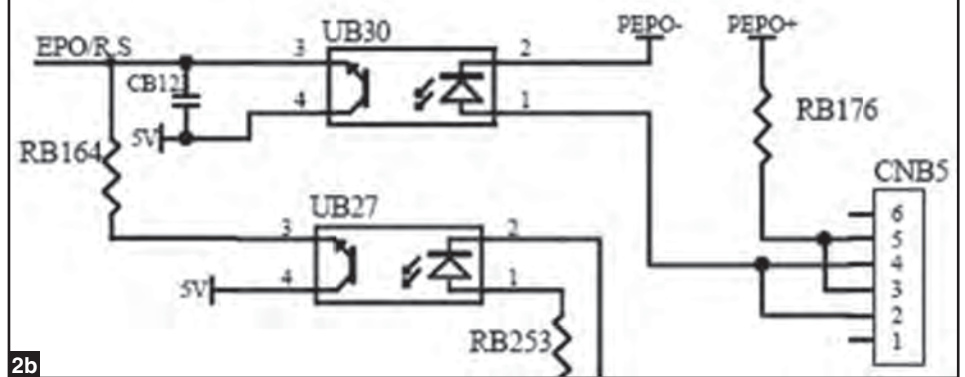
Esta característica opcional es únicamente para aquellas aplicaciones que requieran conexión a un circuito de Apagado de Emergencia (EPO) de la instalación. Cuando se conecta el UPS a este circuito, permite el apagado de emergencia del inversor del UPS e inhibe la transferencia a un rodeo interno. Usando el cable proporcionado, conecte el puerto EPO de su UPS (ver 2a) a un interruptor, proporcionado por el usuario, normalmente abierto de acuerdo con el diagrama de circuito (ver 2b).

#### Conector EPO



Para activar el EPO pueden ponerse en corto las terminales 4 y 5 ó las terminales 2 y 3.

#### Información de EPO



#### Nota:

1. Si se usa un cable diferente al suministrado, éste no debe exceder 107m [350 pies] o tener una resistencia superior a 10 ohms.
2. Si se usa un interruptor de EPO sin seguro, el interruptor EPO deberá sujetarse por un mínimo de 1 segundo. Esto no aplica a un interruptor EPO con seguro.
3. Para la configuración de una conexión EPO de un interruptor normalmente cerrado, consulte por favor al Soporte Técnico de Tripp Lite.

**PRECAUCIÓN:** El puerto EPO no es un supresor de sobretensiones de línea telefónica; no conecte una línea telefónica a este puerto.

## Conexión opcional (continuación)

Estado del UPS cuando activa EPO con línea CA presente:

LEDs	Salidas	Ventiladores	Serial	SNMP	USB	Pantalla LCD
Apagados	Apagadas	Apagados	Apagado	Apagado	Apagado	“Parada de Emergencia”

Para reiniciar el UPS después que se activa EPO con línea CA presente:

1. Verifique que la activación de EPO se ha eliminado o borrado.
2. Elimine la alimentación de línea CA al UPS.
3. Reconecte la energía de línea CA. Ahora el UPS comenzará el respaldo en el modo de Rodeo, y la pantalla LCD mostrará “BYPASS MODE” [Modo de Rodeo].

Estado del UPS cuando activa EPO sin línea CA presente:

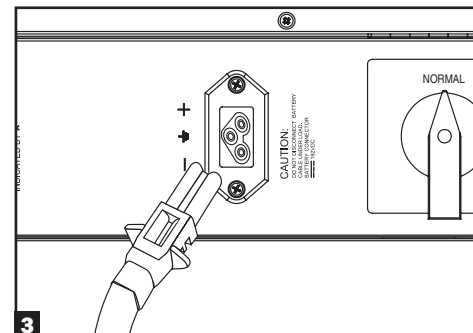
LEDs	Salidas	Ventiladores	Serial	SNMP	USB	Pantalla LCD
Apagados	Apagadas	Apagados	Apagado	Apagado	Apagado	“Parada de Emergencia”

Para reiniciar el UPS después que se activa EPO sin energía de línea CA:

1. Verifique que la activación de EPO se ha eliminado o borrado.
2. Reconecte la alimentación de línea CA al UPS. Ahora el UPS comenzará el respaldo en el modo de Rodeo y la pantalla LCD mostrará “BYPASS MODE” [Modo de Rodeo].

### 3 Conexión de batería externa

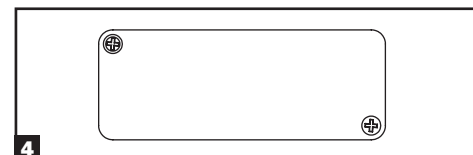
El UPS contiene un robusto sistema de baterías interno, las baterías externas sólo son necesarias para extender el tiempo de funcionamiento. Si agrega baterías externas aumentará el tiempo de recarga y el tiempo de funcionamiento. La ilustración muestra la ubicación del Conector de baterías externas del UPS, en donde se inserta el cable de módulo de baterías. Las instrucciones de instalación completas para el módulo de baterías se incluyen en el manual del propietario del módulo de baterías. Asegúrese de que los cables estén completamente insertados en los conectores. Pueden provocarse pequeñas chispas durante la conexión de la batería; esto es normal. No conecte o desconecte módulos de baterías cuando el UPS está funcionando con alimentación por batería.



3

### 4 Ranura para accesorios

Extraiga la cubierta de la ranura para instalar una tarjeta para accesorios SNMP/Web interna opcional (Modelo: SNMPWEBCARD) para monitoreo remoto y control mediante SNMP, Internet o telnet. (También está disponible la tarjeta RELAYIOCARD de Tripp Lite). Visite [www.tripplite.com/support](http://www.tripplite.com/support) para obtener más información, incluyendo una lista de productos de SNMP, administración de red y conectividad disponibles.



4

## Reemplazo Hot-Swap del Módulo de Potencia\*

**ADVERTENCIA Únicamente para personal de servicio calificado. No seguir el procedimiento de derivación con exactitud causará que el UPS no se apague adecuadamente, lo que resultará en el riesgo continuo de muerte o lesiones a causa del contacto potencial con alto voltaje. El UPS y la PDU desmontable son extremadamente pesados. Este procedimiento requiere la participación de varias personas.**

El sistema UPS incluye una PDU desmontable, independiente con un interruptor de derivación. Este interruptor permite al personal de servicio calificado retirar la PDU desmontable del UPS para realizar el mantenimiento de rutina sin interrumpir la energía a las cargas conectadas. Con este interruptor establecido en "BYPASS", los equipos conectados recibirán alimentación de la red de servicio público sin filtrar. Pero los equipos no recibirán energía de la batería en el caso de un apagón.

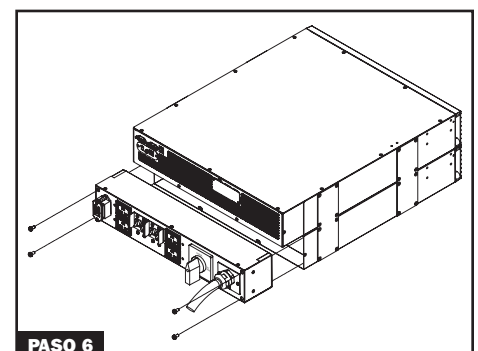
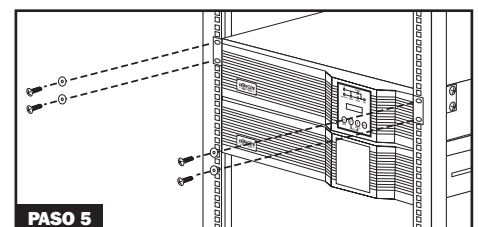
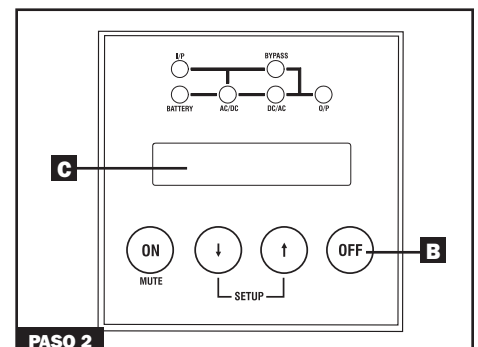
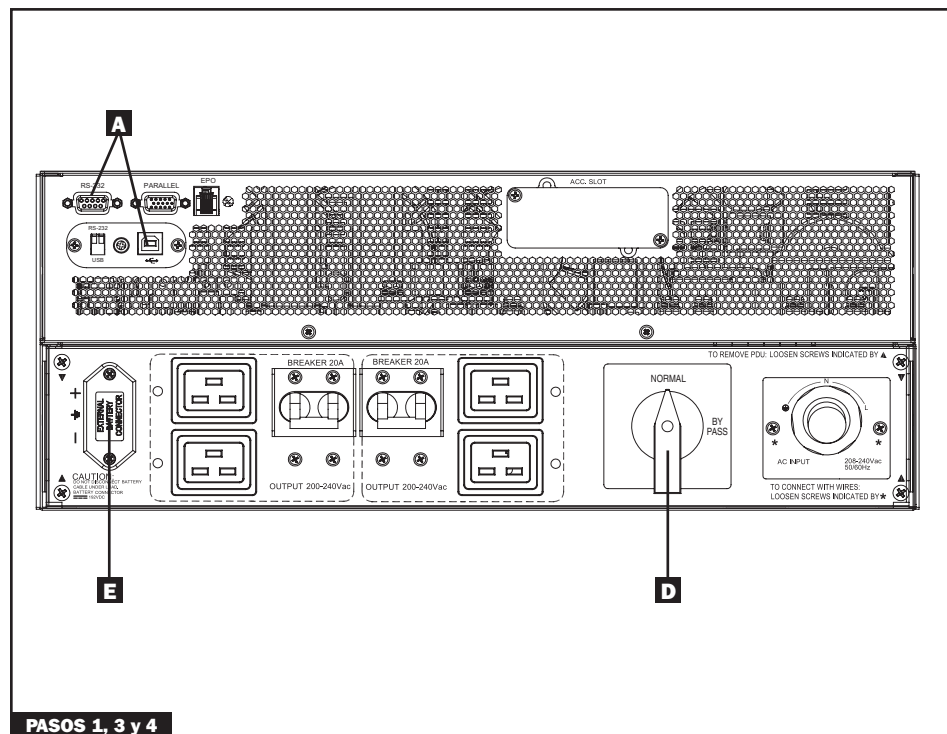
\* Para el rodeo, consulte el manual incluido con el PDU Paralelo SU12KRT4UHW.

### Extracción del UPS (Configuraciones Únicamente para Módulo de Potencia de un Solo UPS de 6kVA)

- PASO 1.** Inhabilite PowerAlert y desconecte los cables de comunicación SNMP o USB serial de los puertos de comunicación **A** del UPS.
- PASO 2.** Si el UPS recibe energía, pulse el botón **B** OFF del UPS hasta que escuche un pitido y el mensaje BYPASS MODE (modo de derivación) aparezca en la pantalla LCD **C** en el frente del módulo de potencia. Se le pedirá que ingrese "BYPASS MODE" [ modo de rodeo]. Oprima nuevamente el botón "OFF" del UPS para activar el BYPASS MODE".
- PASO 3.** Coloque el interruptor de derivación de la PDU **D** en "BYPASS" en la parte posterior del PDU del UPS.
- PASO 4.** Si hay un módulo de baterías externas **E** conectado al UPS, desconéctelo.
- El UPS ahora está apagado de manera segura y puede desconectarse de la PDU para realizar el mantenimiento/reemplazo.**
- PASO 5.** Extraiga los cuatro tornillos que aseguran las orejas de montaje frontales del UPS al rack. Con la PDU aún unida, mueva el sistema UPS y la PDU hacia adelante en el rack suavemente (aproximadamente 4 pulgadas), asegurándose de que ambos componentes permanezcan apoyados adecuadamente en los rieles de soporte para montar en rack del UPS.
- PASO 6.** En la parte trasera del UPS, extraiga los cuatro tornillos que sostienen la PDU desmontable al UPS que se le hace el mantenimiento. Con un asistente que sostenga la parte frontal del UPS en su lugar, desmonte con cuidado la PDU de la parte trasera del UPS y colóquela en los rieles de soporte del UPS. Retire el módulo de potencia del UPS del frente del rack.



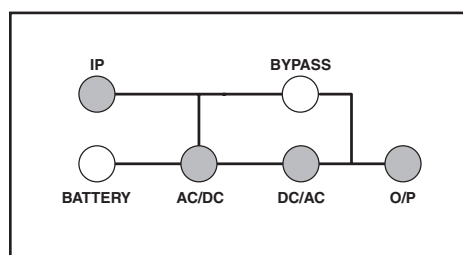
**ADVERTENCIA! ¡Alto voltaje! ¡Riesgo de descargas eléctricas!**



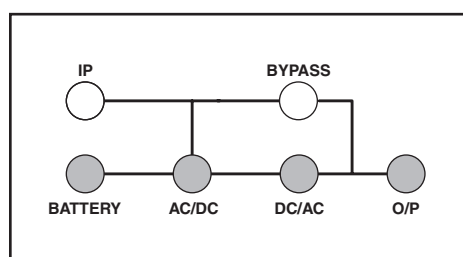
# Funcionamiento

## Información de la pantalla LED

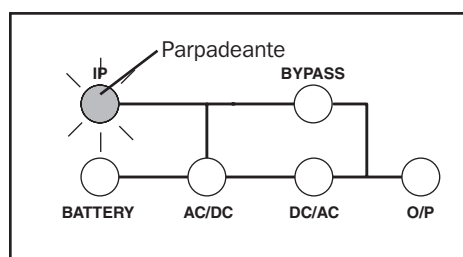
**Modo ONLINE [en línea]:** Voltaje de entrada CA en rango normal: 156-280V.



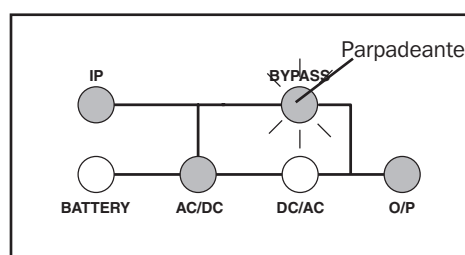
**Arranque en frío/Modo de batería:** Cuando esté en modo de batería, verá el siguiente mensaje LED:



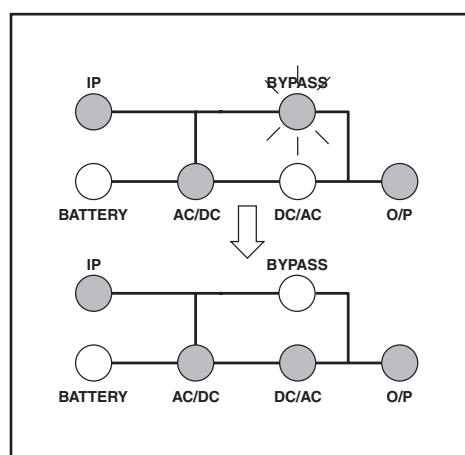
**Apagado EPO (Modo de conversión de frecuencia):** Con apagado EPO sin alimentación, observará la siguiente secuencia de LED:



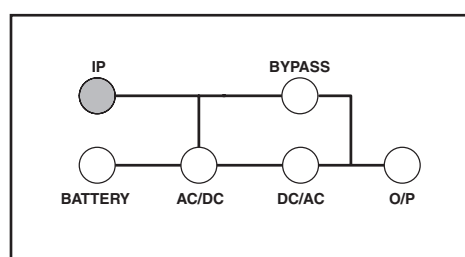
**Modo de derivación:** Voltaje de entrada CA en un rango de: -20 a +15% del voltaje nominal; modo de derivación habilitado.



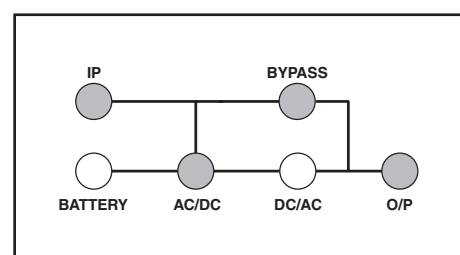
**Arranque de la alimentación CA:** Con arranque de la alimentación CA, observará la siguiente secuencia de LED:



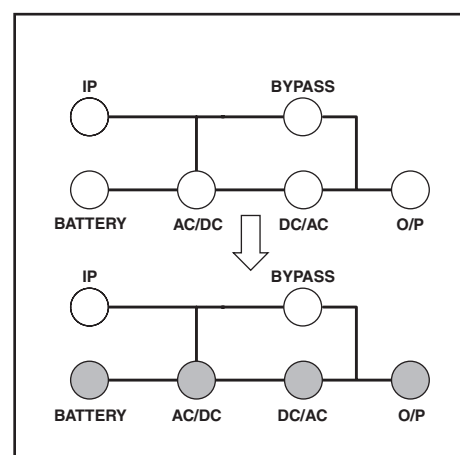
**Apagado EPO (Modo CA):** Con apagado EPO y con alimentación CA, observará la siguiente secuencia de LED:



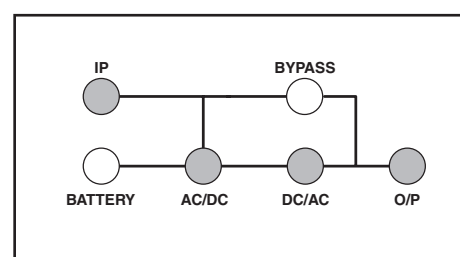
**Modo económico:** Voltaje de entrada CA en un rango entre -10 y +10% del voltaje nominal; el Modo económico está habilitado.



**Arranque en frío:** Con arranque en frío, observará la siguiente secuencia de LED:

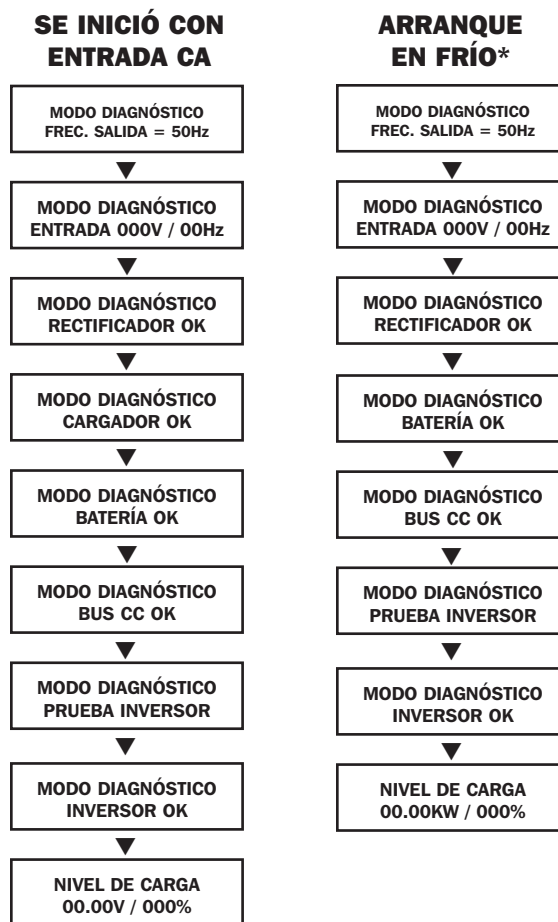


**Modo de Batería Independiente:** En el modo de batería independiente, se mostrará la misma secuencia de LED que en el modo ONLINE, pero sonará una "Alarma de Batería en Mal Estado".



## Inicio del autotest

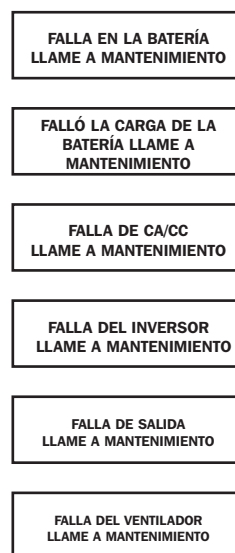
Cuando se enciende el UPS, ingresará en Modo diagnóstico y realizará un breve autotest que dura casi 15 segundos. Los resultados del autotest se muestran en la pantalla LCD en la siguiente secuencia.



\*Nota: Si se arranca en frío el UPS, se iluminará el LED de la BATERÍA.

## Falló el autotest

Si se detecta un problema durante el autotest, el LCD mostrará un mensaje de error. Si el UPS muestra algunos de estos mensajes en el LCD, visite [www.tripplite.com/support](http://www.tripplite.com/support) para obtener mantenimiento.



# Funcionamiento (continuación)

## Funcionamiento normal

Durante el funcionamiento normal, la primera línea de la pantalla LCD muestra el modo de operación del UPS: Modo en línea, Modo económico, Modo de conversión de frecuencia, Modo de batería, Modo de derivación o Modo paralelo (sólo modelo 12kVA).

**Modo en línea:** El UPS proporciona alimentación CA mientras la alimentación de la red pública está disponible y cambia a Modo batería en forma instantánea (tiempo de transferencia cero) si se interrumpe la alimentación CA.

**Modo económico:** El UPS proporciona alimentación CA a alta eficiencia mientras que la alimentación de la red pública esté dentro del +/- 10% voltaje de entrada CA calificado y cambia a Modo batería (tiempo de transferencia de 8 ms) si se interrumpe la alimentación CA.

**Modo de conversión de frecuencia:** Se utiliza para convertir la frecuencia de entrada del UPS a una frecuencia de salida distinta (es decir, entrada de 60 HZ a salida de 50 Hz. **Nota:** Se apagará la salida en Modo de conversión de frecuencia si la unidad se coloca en derivación).

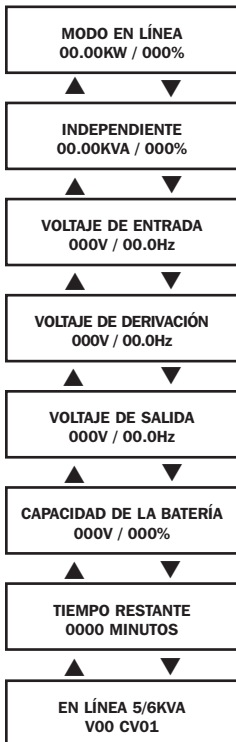
**Modo batería:** El UPS proporciona alimentación CA del respaldo de la batería mientras dure la energía de la batería. Vuelve a cambiar a Modo en línea o económico si la alimentación de la red pública está disponible y se apaga si se acaba la energía de la batería.

**Modo de derivación:** El UPS proporciona alimentación CA mientras esté disponible la alimentación de la red pública. El UPS se cierra si se interrumpe la alimentación CA.

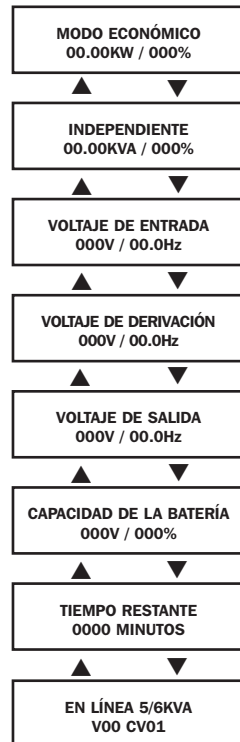
**Modo paralelo (sólo en el modelo SU12KRT4UHW):** El UPS puede proporcionar redundancia de hasta 6kVA o alimentación de hasta 12kVA. Para información adicional, consulte el manual proporcionado con el juego del PDU Paralelo.

La segunda línea de la pantalla LCD muestra las condiciones de alimentación básicas. En todos los modos de funcionamiento puede pulsar los botones de SCROLL para examinar las condiciones de alimentación básicas en las secuencias que se muestran a continuación:

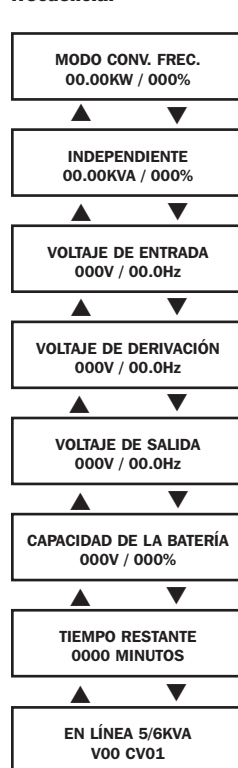
### Información de la pantalla Modo en línea:



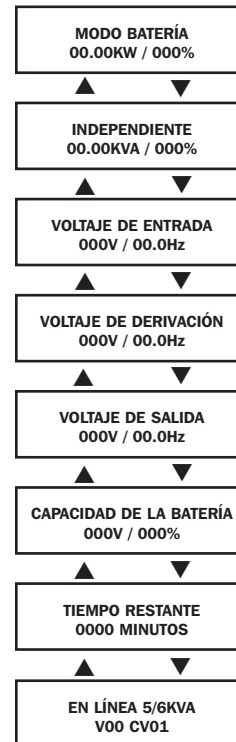
### Información de la pantalla Modo económico:



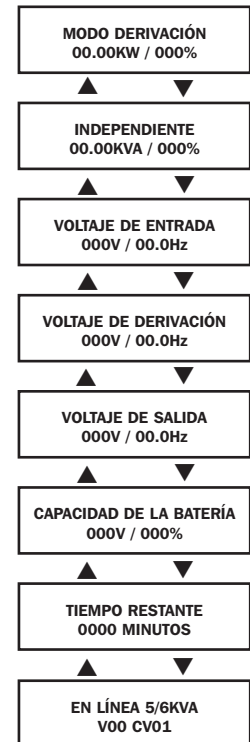
### Información de la pantalla Modo de conversión de frecuencia:



### Información de la pantalla Modo batería:

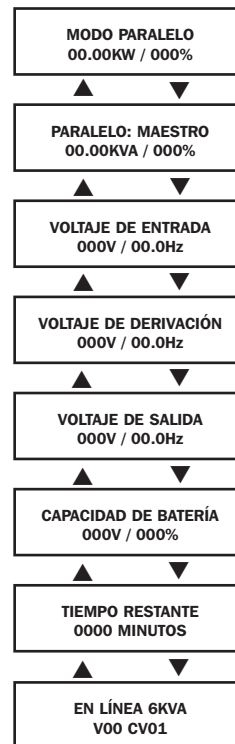


### Información de la pantalla Modo de derivación:



## Funcionamiento normal

### Información de la pantalla Modo paralelo (sólo modelo 12kVA):



NOTA: Cuando se conectan dos unidades en paralelo, el "UPS Maestro" mostrará "PARALELO: MAESTRO" en esta segunda pantalla. La pantalla del "UPS Secundario" mostrará "PARALELO: ESCLAVO". Si las dos unidades no se conectan en paralelo correctamente, los dos mostrarán "INDEPENDIENTE" en esta segunda pantalla.

## Menú de configuración del UPS

Pulse los botones HACIA ARRIBA y HACIA ABAJO en forma simultánea durante 3 segundos hasta que aparezca la pantalla del MENÚ DE CONFIGURACIÓN como se muestra a continuación:



Pulse el botón HACIA ARRIBA para introducir el Modo de configuración.

Para introducir el Modo de configuración, se le solicitará que introduzca una contraseña.

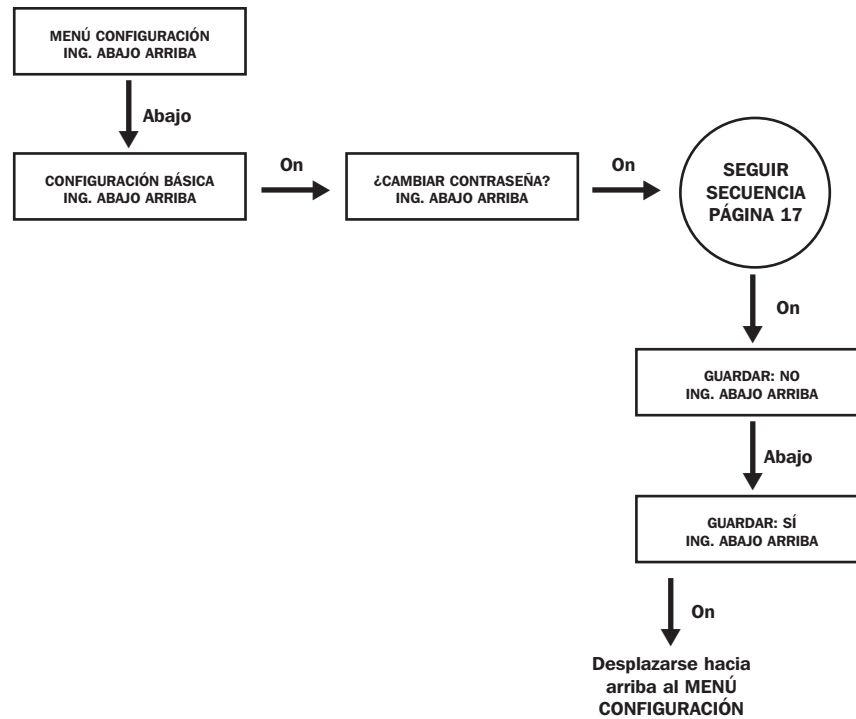


Los números aumentan o disminuyen en 1 cada vez que pulsa los botones HACIA ARRIBA y HACIA ABAJO (0-9). Desplácese para seleccionar el primer número, luego pulse el botón ON. Esto guarda el primer número y se mueve al siguiente de la secuencia. El rango para la contraseña es 0000-9999 y el administrador debe cambiarlo. La contraseña PREDETERMINADA es 1234.

## Funcionamiento (continuación)

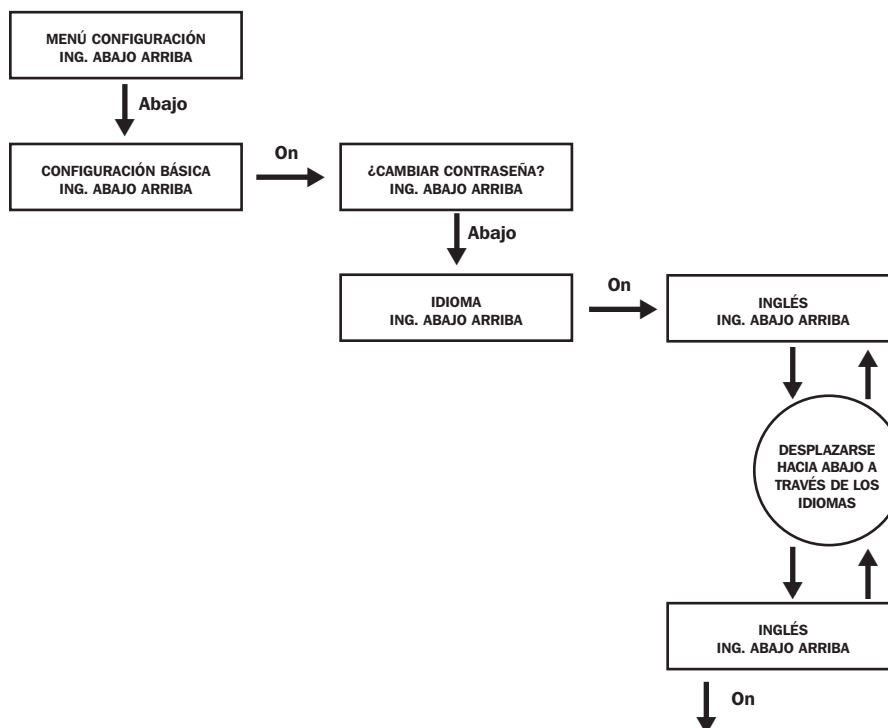
### Cambio de la contraseña

Para cambiar la contraseña, desplácese HACIA ABAJO en la pantalla del MENÚ CONFIGURACIÓN en la pantalla de CONFIGURACIÓN BÁSICA. Aquí, pulse ON para ingresar a la pantalla CAMBIO DE CONTRASEÑA. En esta pantalla pulse ON y siga los pasos anteriormente descritos para establecer la contraseña. Una vez establecida, pulse ON para moverse a la pantalla de GUARDADO. Desplácese HACIA ABAJO a la pantalla GUARDAR: SÍ y pulse ON para guardar. Si se desplaza HACIA ARRIBA volverá al MENÚ DE CONFIGURACIÓN.



### Selección del idioma de la pantalla

Para seleccionar un idioma de pantalla, desplácese HACIA ABAJO en la pantalla CONFIGURACIÓN BÁSICA. Pulse ON para ir a la pantalla CAMBIO DE CONTRASEÑA y HACIA ABAJO para acceder a la pantalla de IDIOMA. Pulse ON. Luego, puede desplazarse HACIA ABAJO o HACIA ARRIBA a través de los idiomas hasta encontrar el idioma deseado. Pulse ON para guardar la selección.





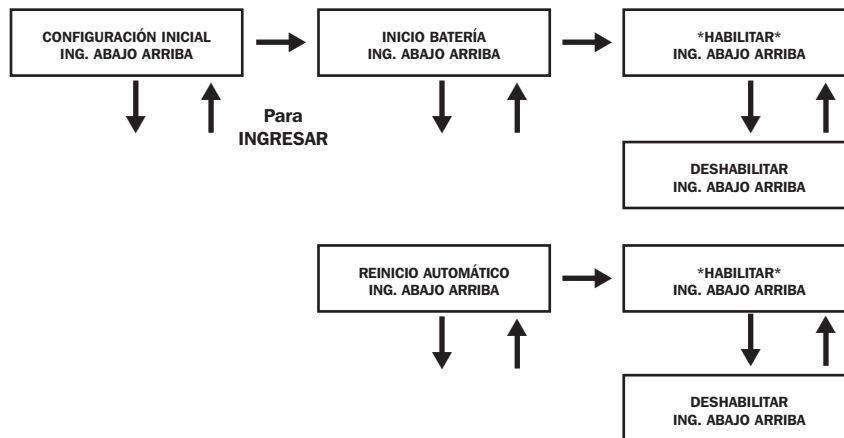
## Funcionamiento (continuación)

### Configuración inicial

El UPS puede iniciarse a través de la batería sin alimentación CA. El VALOR PREDETERMINADO es HABILITADO. Cuando el UPS cambia a batería puede REINICIARSE AUTOMÁTICAMENTE para funcionar en Modo en línea cuando se restablece la alimentación CA. El VALOR PREDETERMINADO es HABILITADO.

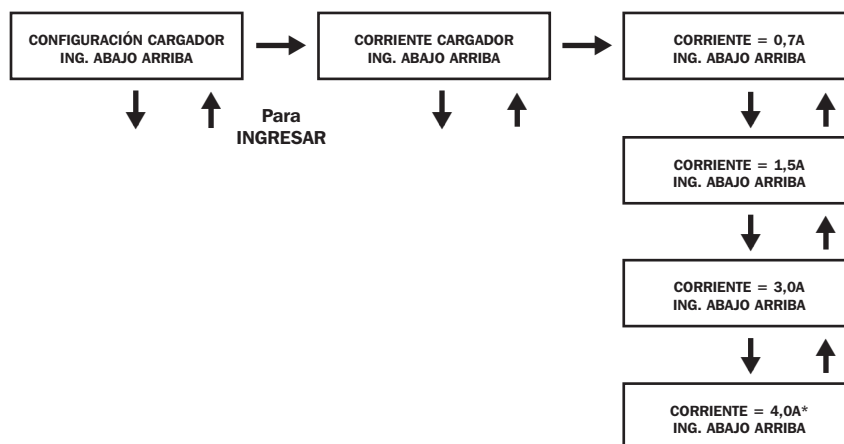
En la pantalla del MENÚ DE CONFIGURACIÓN, desplácese HACIA ABAJO a la pantalla CONFIGURACIÓN INICIAL. Aquí, pulse el botón ON para acceder a la pantalla INICIO DE BATERÍA. En esta pantalla, pulse ON para moverse a la pantalla HABILITAR. Si pulsa ON se HABILITARÁ, mientras que si se desplaza hacia ABAJO, accederá a la pantalla DESHABILITAR. Aquí, pulse ON para DESHABILITAR esta función.

En la pantalla INICIO DE LA BATERÍA, si pulsa HACIA ABAJO accederá a la pantalla de REINICIO AUTOMÁTICO. Si presiona ON accederá a la pantalla HABILITAR, pulse ON para HABILITAR. Si presiona HACIA ABAJO, accederá a la pantalla DESHABILITAR. Pulse ON para DESHABILITAR esta función.



### Configuración del cargador

Desde la pantalla MENÚ DE CONFIGURACIÓN, desplácese HACIA ABAJO hasta llegar a la pantalla CONFIGURACIÓN DEL CARGADOR. Aquí, pulse ON para acceder a la pantalla CORRIENTE DEL CARGADOR. Pulse ON nuevamente. Aquí, puede desplazarse HACIA ABAJO o HACIA ARRIBA para seleccionar valores de corriente entre 0,7 y 4,0 A. Pulse ON para guardar el valor deseado. La selección PREDETERMINADA es 0.7A.



Utilice la siguiente tabla como guía para los ajustes del cargador en base al número de módulos de batería que está usando.

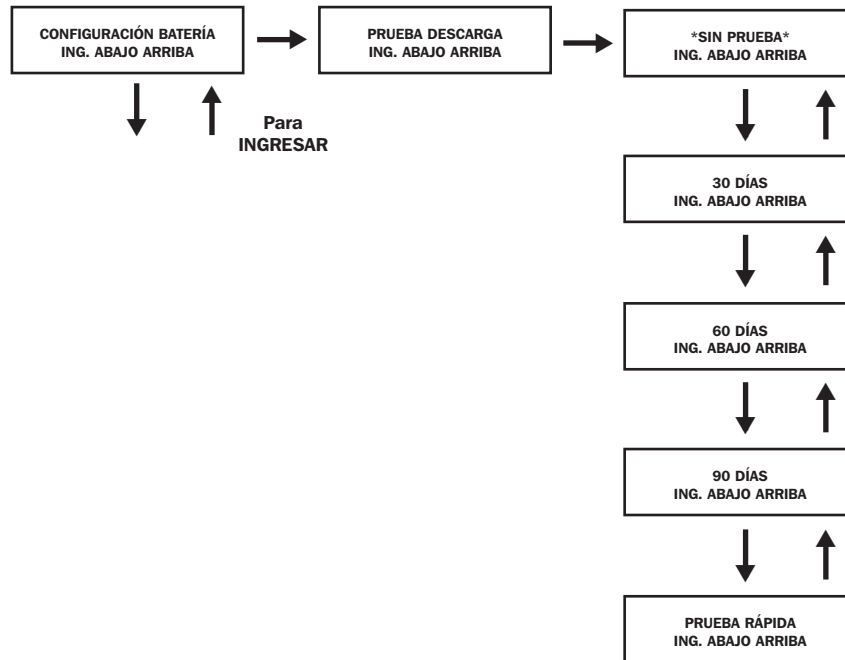
Ajuste de Corriente de Carga del UPS para Modelos de 5/6kVA				
Módulo de Batería Interna + Módulos de Baterías Externas	1	2	3-6	7 o más
Ajuste de Corriente de Carga	0.7A	1.5A	3.0A	1.0A

#### Ajustes de Corriente de Carga del UPS para Modelo de 12kVA

Use los mismos ajustes de corriente del cargador que en los modelos de 5/6kVA por cada módulo de potencia del SU12KRT4UHW,. El número de módulos de baterías externos conectados debe ser igual en cada módulo de potencia del SU12KRT4UHW.

## Configuración de la batería

**Prueba de descarga:** Se utiliza para establecer el período para las pruebas de descarga. Desde la pantalla MENÚ DE CONFIGURACIÓN, desplácese HACIA ABAJO hasta llegar a la pantalla CONFIGURACIÓN DE LA BATERÍA. Pulse ON para acceder a la pantalla PRUEBA DE DESCARGA. Pulse ON. Ahora puede desplazarse HACIA ABAJO o HACIA ARRIBA entre SIN PRUEBA, 30, 60, 90 días y PRUEBA RÁPIDA. Cuando alcance la longitud de tiempo deseada, pulse ON para guardar. El VALOR PREDETERMINADO es SIN PRUEBA.

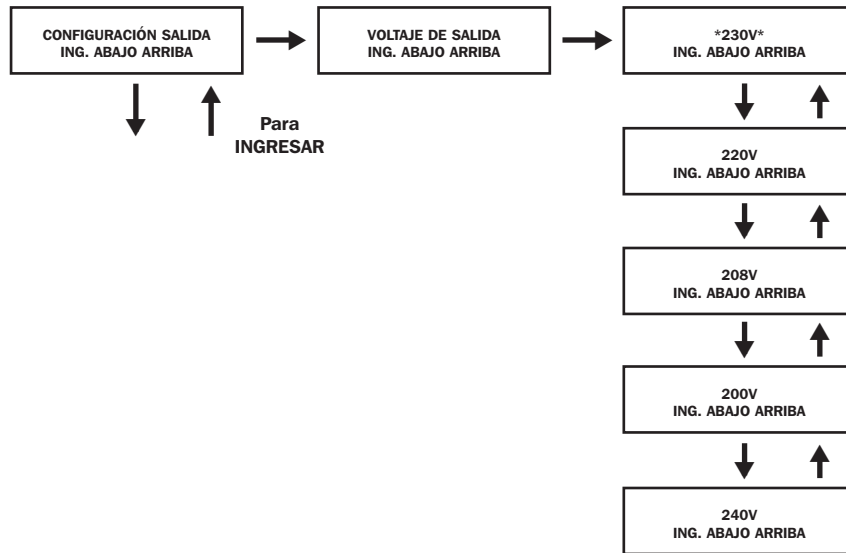


## Configuración de salida

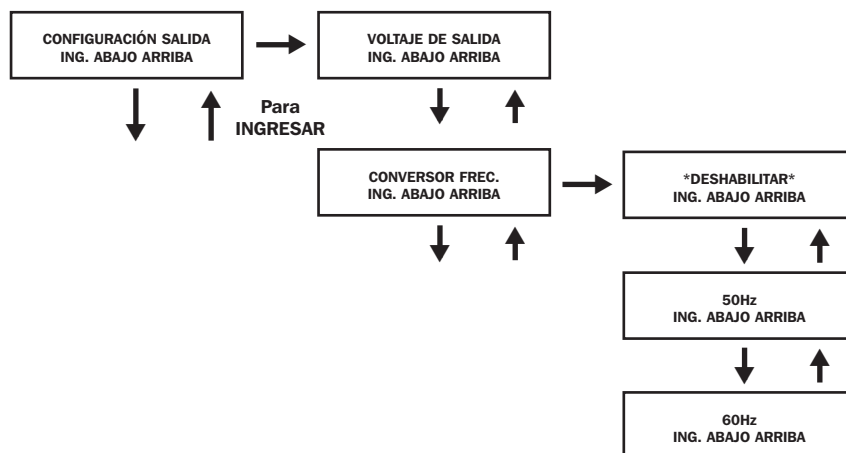
**Nota: Cualquier cambio en la configuración de la salida requiere un ciclo de alimentación del UPS.**

**Voltaje de salida:** Utilizado para establecer la calificación de voltaje de salida del UPS. Desde la pantalla MENÚ DE CONFIGURACIÓN, desplácese HACIA ABAJO hasta llegar a la pantalla CONFIGURACIÓN DE LA SALIDA. Pulse ON para acceder a la pantalla VOLTAJE DE SALIDA y vuelva a pulsar ON. Ahora puede desplazarse HACIA ABAJO y HACIA ARRIBA entre 5 valores de voltajes: 200/208/220/230/240V. Pulse ON para guardar el voltaje deseado.

VALOR PREDETERMINADO se establece en 208V.

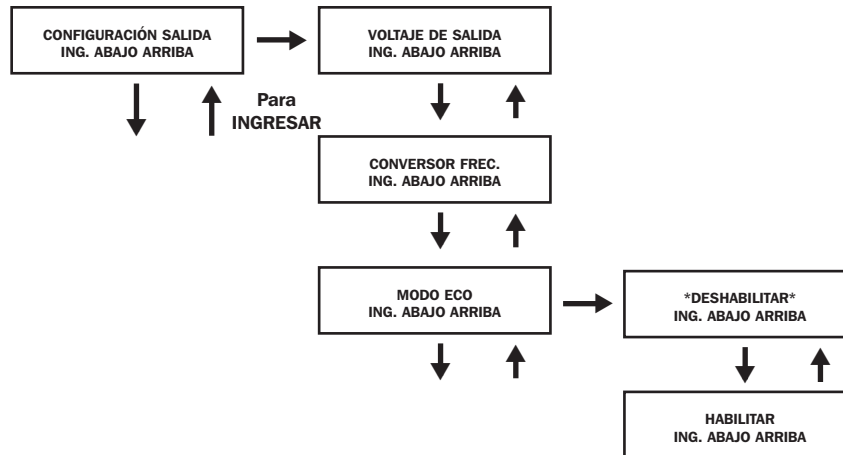


**Convertor de frecuencia:** Se utiliza para establecer el Modo de convertor de frecuencia. Desde la pantalla MENÚ DE CONFIGURACIÓN, desplácese HACIA ABAJO hasta llegar a la pantalla CONFIGURACIÓN DE LA SALIDA. Pulse INTRO para acceder a la pantalla VOLTAJE DE SALIDA y HACIA ABAJO para acceder a la pantalla CONVERTOR DE FREC. Pulse ON. Ahora puede desplazarse HACIA ABAJO o ARRIBA entre DESHABILITAR, 50 y 60 Hz. Pulse ON para guardar la selección. Cuando se encuentra en DESHABILITAR, el UPS automáticamente detectará la frecuencia de entrada y seleccionará 50 o 60 Hz según corresponda. El VALOR PREDETERMINADO es DESHABILITAR.

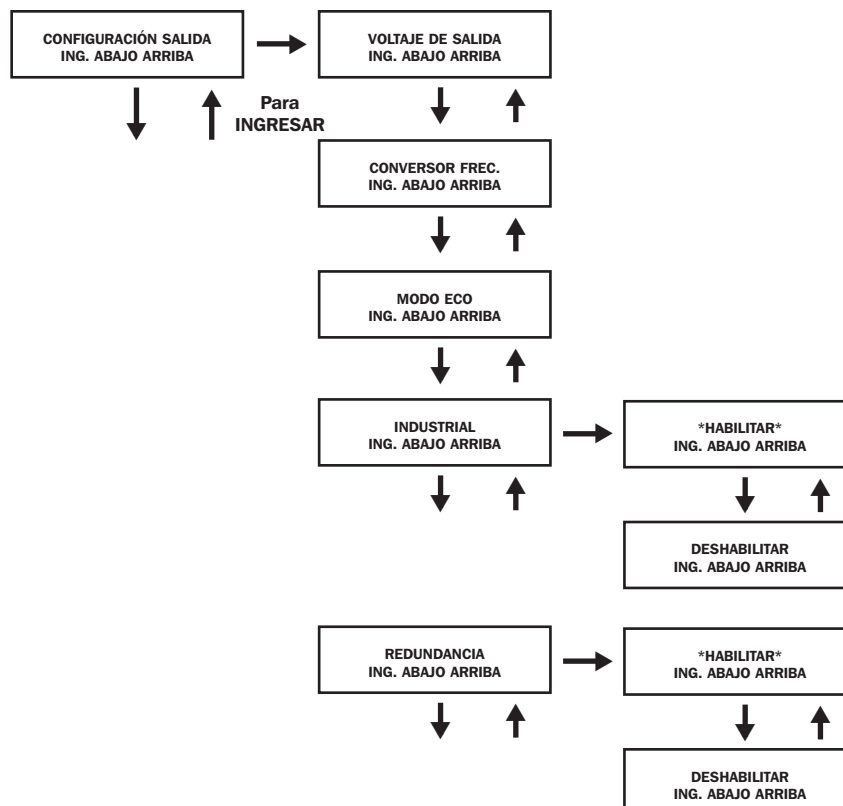


## Configuración de salida

**Modo ECO:** Se utiliza para establecer la capacidad del UPS para funcionar en el Modo económico de ahorro de energía. Cuando el voltaje de entrada se encuentra en un rango + o - de 10% de la calificación de voltaje total, el UPS se transferirá al Modo económico para mejorar la eficiencia del UPS. Desde la pantalla MENÚ DE CONFIGURACIÓN, desplácese HACIA ABAJO hasta llegar a la pantalla CONFIGURACIÓN DE LA SALIDA. Aquí, pulse ON para ingresar a la pantalla VOLTAJE DE SALIDA, y HACIA ABAJO a través de la pantalla CONVERTOR DE FREC. hasta llegar a la pantalla MODO ECO. Aquí, pulse ON y podrá desplazarse HACIA ABAJO y ARRIBA entre HABILITAR y DESHABILITAR. Pulse ON para guardar la selección. El VALOR PREDETERMINADO es DESHABILITAR.

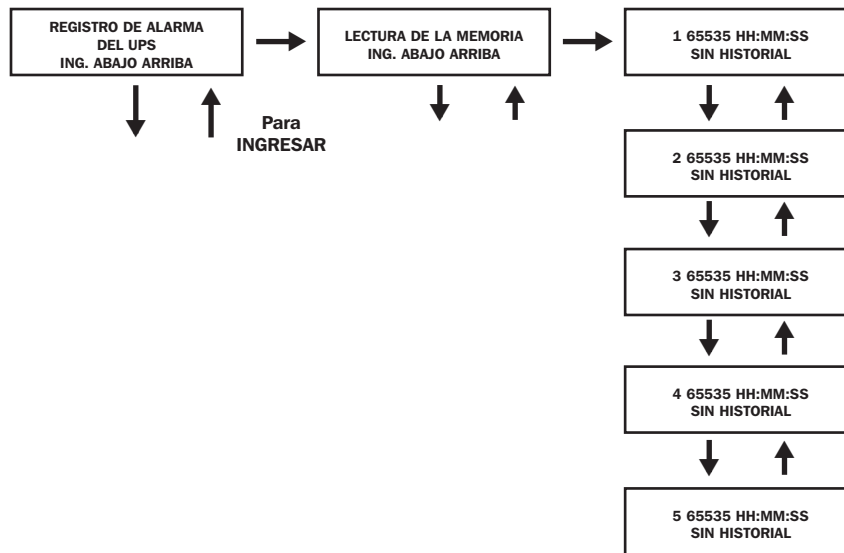


**Industrial:** Utilizado para establecer la protección de voltaje del UPS. Si está habilitado, y recibiendo alimentación CA con voltaje y frecuencia de entrada dentro de un rango normal, el UPS funcionará en modo en línea. Si el UPS detecta una fluctuación de voltaje de salida mayor a 5 ms, el UPS se transferirá al Modo de derivación, volviendo al Modo en línea cuando la salida vuelva a ser normal. Desde la pantalla MENÚ DE INICIO, desplácese HACIA ABAJO hasta llegar a la pantalla CONFIGURACIÓN DE LA SALIDA. Aquí, pulse ON para acceder a la pantalla VOLTAJE DE SALIDA, y HACIA ABAJO hasta acceder a la pantalla INDUSTRIAL. Aquí, pulse ON y podrá desplazarse HACIA ABAJO y ARRIBA entre HABILITAR y DESHABILITAR. Pulse ON para guardar la selección. El VALOR PREDETERMINADO es DESHABILITADO. Si se desplaza HACIA ABAJO en la pantalla INDUSTRIAL, accederá a la pantalla REDUNDANCIA. Aquí, pulse ON y podrá desplazarse HACIA ABAJO y ARRIBA entre HABILITAR y DESHABILITAR. El VALOR PREDETERMINADO es DESHABILITAR.



## Funcionamiento (continuación)

### Registro de alarma del UPS

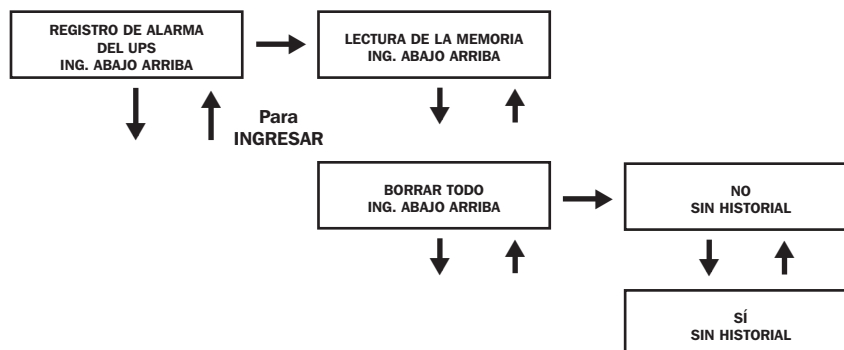


**Lectura de la memoria:** Registros que representan 5 eventos de fallas de la EEPROM. Consulte la Lista de eventos de fallas a continuación:

Lista de eventos de fallas		
FALLA DE BUS CC	FALLA DE BATERÍA DE CARGADOR	FALLA DE OVP DE BUS CC
CORTOCIRCUITO	FALLA DE CORTO DE SCR DE DERIVACIÓN	FALLA DE CORTO DE RELÉ HVP DE ENTRADA
FALLA DEL INVERSOR	FALLA DE CORTO DE SCR DE ENTRADA	FALLA DE RELÉ ABIERTO DE HVP DE ENTRADA
SOBRETENPERATURA	AHORRO DE ENERGÍA	FALLA DE NTC ABIERTO
FALLA DE SCR DE SALIDA	SALIDA TIENE VOLTAJE	FALLA DE BAJA TEMP.
SOBRECARGA	FALLA DE FUSIBLE DE ENTRADA	
FALLA DE VENTILADOR	FALLA DE FUSIBLE DE SALIDA	

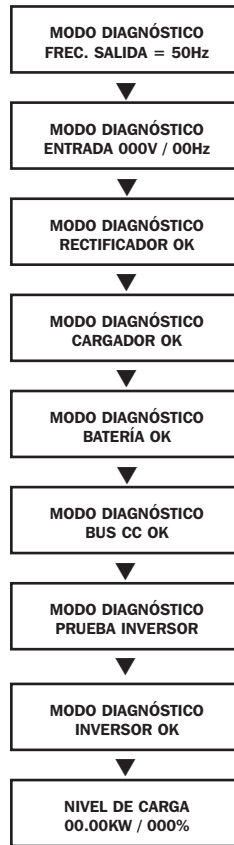
Desde la pantalla MENÚ DE CONFIGURACIÓN, desplácese HACIA ABAJO hasta acceder a la pantalla REGISTRO DE ALARMA DEL UPS. Pulse ON para acceder a la pantalla LECTURA DE LA MEMORIA y vuelva a pulsar ON. Aquí, puede desplazarse HACIA ABAJO o HACIA ARRIBA para leer los 5 últimos eventos de fallas. Pulse ON para salir de este menú.

**Borrar todo:** Se utiliza para borrar el Registro de eventos de fallas. Desde la pantalla MENÚ DE INICIO, desplácese HACIA ABAJO hasta llegar a la pantalla REGISTRO DE ALARMA DEL UPS. Desde aquí, pulse ON para acceder a la pantalla LECTURA DE LA MEMORIA y pulse ABAJO para acceder a la pantalla BORRAR TODO. Aquí puede desplazarse HACIA ABAJO o HACIA ARRIBA entre Sí y No. Pulse ON para guardar la selección. Se le presentará una pantalla ¿ESTÁ SEGURO?. Pulse ON para guardar o desplácese para ver más opciones.

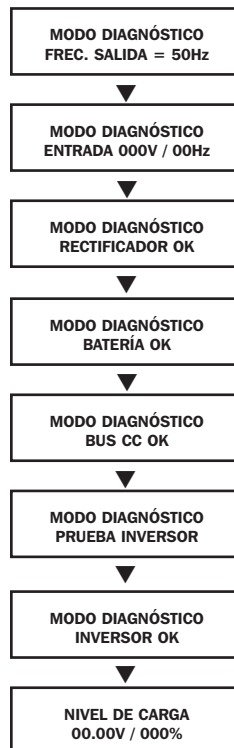


## Información de auto diagnóstico

Cuando inicie con alimentación CA, observará la siguiente secuencia de pantallas:



Cuando inicie en alimentación de batería, observará la siguiente secuencia de pantallas:



## Funcionamiento (continuación)

### Mensajes de apagado por falla del UPS

CONDICIÓN	MENSAJES DE LA PANTALLA LCD
+BUS >450V	APAGADO ALTO BUS + CC
Carga <100%: +BUS < 320V; Carga >100%: +BUS <290V	APAGADO BAJO BUS + CC
-BUS >450V	APAGADO ALTO BUS - DC
Carga <100%: -BUS <320V; Carga >100%: -BUS <290V	APAGADO BAJO BUS - DC
Voltaje BUS sobre 500	APAGADO POR FALLA OVP BUS
Corto salida	APAGADO POR CORTO SALIDA
Sobretemperatura de UPS	APAGADO POR SOBRETENPERATURA
Falla de SCR de salida abierta	APAGADO POR FALLA DE SCR ABIERTA
Sobrecarga de salida	APAGADO POR SOBRECARGA
Corto SCR de derivación	APAGADO POR FALLA SCR DE DERIVACIÓN
Falla en rectificador SCR de entrada	APAGADO POR FALLA EN RECTIFICADOR
Falla de voltaje de salida del inversor	APAGADO POR INVERSOR
Fusible de entrada abierto	APAGADO POR ROTURA DE FUSIBLE DE ENTRADA
Fusible de salida abierto	APAGADO POR ROTURA DE FUSIBLE DE SALIDA
Pérdida de ID paralelo	APAGADO POR FALLA PARALELA

### Alarma de la batería

Cuando se encuentra en Modo de alarma de batería, el módulo de potencia del UPS emitirá un pitido para informar que está utilizando energía de la batería para soportar los equipos conectados. Si las baterías conectadas se encuentran a más de la mitad de la capacidad, emitirá un pitido cada dos segundos. Si las baterías conectadas se encuentran por debajo de la mitad de la capacidad, emitirá un pitido dos veces por segundo. Si las baterías conectadas están por agotarse, el módulo de potencia del UPS emitirá un pitido continuamente. Para silenciar la Alarma de la batería, pulse el botón "ON/MUTE".

### Mensajes de sobrecarga

Cuando el UPS detecta una sobrecarga de salida, el LCD cambiará a la siguiente pantalla:

**¡SOBRECARGA!**  
CARGA = XXX% X.XXKW

Luego, el UPS iniciará una cuenta regresiva. Si el UPS aún está sobrecargado al final de la cuenta regresiva, el UPS automáticamente pasará al Modo de derivación para proteger el inversor. La duración de la cuenta regresiva varía según la gravedad de la sobrecarga, como se muestra a continuación:

Condición de sobrecarga	Duración de la cuenta regresiva
106% - 125%	1 minuto
126% - 150%	30 segundos
>150%	Inmediato

### Mensajes de derivación

Mientras se encuentre en Modo de derivación, el UPS monitorea su voltaje de entrada y pasa la alimentación de entrada a los equipos conectados. El UPS no proporcionará respaldo de batería en Modo de derivación.

Si el voltaje de salida se deriva de un rango aceptable (entre 15% más alto y 20% más bajo que el valor nominal), el UPS muestra la condición en el LCD y detiene el suministro de alimentación de salida a la carga. Si los niveles de energía vuelven a un nivel aceptable, el UPS reanuda el suministro de alimentación a la carga, y el LCD informa que el voltaje de salida era muy alto o muy bajo en un momento, pero que regresó a su valor nominal.

CONDICIONES DE VOLTAJE DE DERIVACIÓN	MENSAJES DE LA PANTALLA LCD
>15% más alto que el valor nominal	DERIV. SIN VOLT. XXXV / XX.X HZ
>20% más bajo que el valor nominal	DERIV. SIN VOLT. XXXV / XX.X HZ

## Mensajes de apagado

El UPS se apagará y el LCD mostrará un mensaje si detecta una de las siguientes condiciones. Nota: Durante todas estas condiciones, se iluminarán los LED de “Entrada”, “Salida” y “Derivación”.

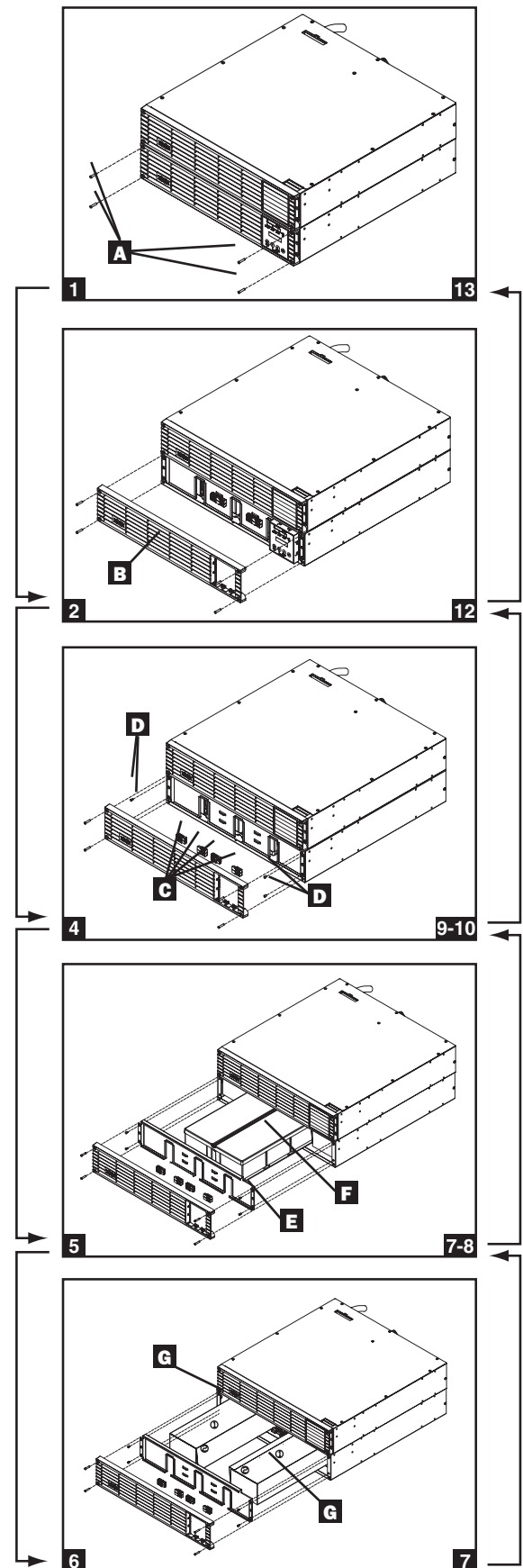
CONDICIONES DE APAGADO	MENSAJES DE LA PANTALLA LCD
Sobrecarga extendida	APAGADO SOBRECARGA XXX%
Cortocircuito de salida	APAGADO CORTOCIRCUITO SALIDA
Cortocircuito de SCR de derivación	APAGADO FALLA SCR DE DERIVACIÓN
Falla de rectificador de SCR de entrada	APAGADO FALLA SCR DEL RECTIFICADOR
Cortocircuito de salida del inversor	APAGADO FALLA INVERSOR
Falla SCR de salida	APAGADO FALLA SCR DE SALIDA
Fusible de entrada abierto	APAGADO FUSIBLE DE ENTRADA ROTO
Fusible de salida abierto	APAGADO FUSIBLE DE SALIDA ROTO
Falla de conexión del cable paralelo	APAGADO FALLA PARALELA
Fallas internas	APAGADO ALTO BUS + CC
	APAGADO BAJO BUS + CC
	APAGADO ALTO BUS - CC
	APAGADO BAJO BUS - CC
	APAGADO FALLA OVP BUS
	APAGADO SOBRETENPERATURA



## Reemplazo de las baterías internas

Bajo condiciones normales, las baterías originales del UPS duran muchos años. Consulte la sección Seguridad antes de reemplazar las baterías. Las baterías están diseñadas para el reemplazo en funcionamiento (es decir, dejando el UPS encendido), pero quizá, algún personal de mantenimiento calificado desee apagar el UPS completamente y desconectar el equipo antes de continuar. Se sugiere desmontar las baterías antes del proceso de instalación.

- 1** Extraiga los tornillos **A** de aseguran el bisel frontal.
- 2** Separe el bisel frontal **B** del panel frontal.
- 3** Desmunte las cubiertas del conector de la batería. Guarde las cubiertas para reutilizarlas.
- 4** Desconecte los conectores de la batería **C** y extraiga los tornillos **D** que aseguran el soporte de retención de la batería en su lugar.
- 5** Extraiga el soporte de retención de la batería **E** y extraiga/recicle el módulo de baterías medio **F**.
- 6** Extraiga/recicle los módulos de baterías laterales **G**.
- 7** Reemplace los módulos de baterías **F** y **G**.
- 8** Vuelva a colocar el soporte de retención de la batería **E**.
- 9** Vuelva a colocar los tornillos **D** para asegurar el soporte de retención de la batería en su lugar.
- 10** Conecte los conectores de la batería **C**. Una los conectores negros con negro, rojo con rojo, blanco con blanco y verde con verde.
- 11** Reinstale las cubiertas del conector de la batería.
- 12** Vuelva a colocar el bisel frontal **B**.
- 13** Vuelva a colocar los tornillos **A** para asegurar el bisel frontal en su lugar.



# Almacenamiento y mantenimiento

## Almacenamiento

Antes de almacenar el UPS, apáguela completamente: Si almacena el UPS durante un extenso período de tiempo, recargue las baterías del UPS de 4 a 6 horas una vez cada tres meses. Nota: tras conectar el UPS a la red de energía pública, automáticamente comenzará a cargar las baterías. Si deja las baterías del UPS descargadas durante un extenso período, comenzarán a perder la capacidad.

## Mantenimiento

Su producto Tripp Lite está cubierto por la garantía descrita en este manual. Tripp Lite también pone a disposición una variedad de garantías extendidas y programas de servicio en el sitio. Para obtener más información sobre mantenimiento, visite [www.tripplite.com/support](http://www.tripplite.com/support). Antes de enviar el producto a mantenimiento, siga estos pasos:

1. Revise los procedimientos de instalación y operación descritos en este manual para asegurarse de que el problema de servicio no se origina en una mala comprensión de las instrucciones.
2. Si el problema continúa, no se comunique ni devuelva el producto al distribuidor. En su lugar, visite [www.tripplite.com/support](http://www.tripplite.com/support).
3. Si el problema requiere servicio, visite [www.tripplite.com/support](http://www.tripplite.com/support) y haga clic en el enlace Devolución de productos. Aquí puede solicitar un número de autorización de devolución de mercadería (RMA), que es necesario para el servicio. En este simple formulario en línea se le pedirá el modelo y números de serie de su unidad, junto con otra información general sobre el comprador. El número RMA y las instrucciones para el envío se le enviarán por correo electrónico. Esta garantía no cubre ningún daño (directo, indirecto, especial o consecuencial) que el producto sufra durante el envío a Tripp Lite o un centro de servicio autorizado por Tripp Lite. Los productos que se envían a Tripp Lite o un centro de servicio autorizado por Tripp Lite deben tener prepagos los cargos de envío. Escriba el número RMA en el exterior del paquete. Si el producto se encuentra dentro del período de garantía, adjunte una copia del recibo de venta. Envíe el producto para servicio a través de un transportador asegurado a la dirección que se le proporcione cuando solicite el RMA.

## Garantía

### Garantía limitada de 2 años

El vendedor garantiza que este producto no tiene defectos originales de materiales ni de mano de obra, por un período de dos años (excepto las baterías internas del sistema de UPS fuera de los EE. UU. y Canadá, 1 año) a partir de la fecha original de compra, si se utiliza de acuerdo con las instrucciones correspondientes. En caso de demostrarse dentro de ese período que el producto tiene defectos de materiales o de mano de obra, el vendedor lo reparará o reemplazará a su exclusiva discreción. El servicio técnico bajo esta garantía solo puede ser obtenido si usted entrega o envía el producto (con todos los cargos de envío o entrega prepagos) a: Tripp Lite, 1111 W. 35th Street, Chicago, IL 60609, EE. UU. El vendedor abonará los cargos de envío de devolución. Visite [www.tripplite.com/support](http://www.tripplite.com/support) antes de enviar cualquier equipo para reparación.

ESTA GARANTÍA NO CUBRE EL DESGASTE NORMAL NI LOS DAÑOS CAUSADOS POR ACCIDENTES, MAL USO, ABUSO O NEGLIGENCIA. EL VENDEDOR NO OFRECE NINGUNA GARANTÍA EXPRESA QUE NO SEA LA ESTABLECIDA EXPRESAMENTE EN EL PRESENTE DOCUMENTO. EXCEPTO EN LA MEDIDA EN QUE LO PROHÍBAN LAS LEYES APLICABLES, LA DURACIÓN DE TODAS LAS GARANTÍAS IMPLÍCITAS, INCLUIDAS LAS DE COMERCIABILIDAD O APTITUD, SE LIMITA AL PERÍODO DE GARANTÍA ANTES MENCIONADO Y ESTA GARANTÍA EXCLUYE EXPRESAMENTE TODOS LOS DAÑOS INCIDENTALES E INDIRECTOS. (Algunos Estados no permiten las limitaciones a la duración de una garantía implícita y algunos Estados no permiten la exclusión o limitación de los daños incidentales o indirectos, de modo que las limitaciones o exclusiones antes mencionadas pueden no corresponder en su caso. Esta garantía le otorga derechos legales específicos y usted puede tener otros derechos que varían de una jurisdicción a otra).

Tripp Lite; 1111 W.35th Street; Chicago IL 60609; EE. UU.

ADVERTENCIA: Antes de usar este dispositivo, cada usuario debe ocuparse de determinar si es apto, adecuado o seguro para el uso que pretende darle. Dado que las aplicaciones individuales están sujetas a diversas variaciones, el fabricante no representa ni garantiza la idoneidad o condición de estos dispositivos para cualquier aplicación específica.

### Conformidad con las regulaciones sobre números de identificación

Con el objeto de cumplir con las regulaciones de certificaciones e identificación, a su producto Tripp Lite se le ha asignado un número de serie único. Puede encontrar el número de serie en la etiqueta o placa de identificación del producto, junto con todas las marcas de aprobación e información necesarias. Cuando solicite información de cumplimiento de este producto, siempre haga referencia al número de serie. El número de serie no debe confundirse con el nombre de marca o el número de modelo del producto.

### Información sobre el cumplimiento de la WEEE para clientes de Tripp Lite y técnicos de reciclaje (Unión Europea)

Bajo la Directiva de Residuos de Aparatos Eléctricos y Electrónicos (WEEE) y las reglamentaciones reguladoras, cuando los clientes compran cualquier equipo eléctrico y electrónico nuevo de Tripp Lite tienen derecho a:

- Regresar el equipo viejo para reciclaje por uno igual o por uno semejante (esto varía de acuerdo con el país)
- Regresar el equipo nuevo para que sea reciclado cuando finalmente se convierte en un desecho

Tripp Lite tiene la política de mejora continua. Las especificaciones del producto están sujetas a cambios sin notificación previa.



Excelencia en  
Manufactura.

1111 W. 35th Street, Chicago, IL 60609 USA • [www.tripplite.com/support](http://www.tripplite.com/support)

201207113 • 933070-ES Rev C

# Manuel de l'utilisateur

**SmartOnline™**

**Monophasé 5kVA—6kVA**

**Systèmes UPS intelligents en ligne à double conversion  
(montage en rack/tour)**

- Comprend un système UPS avec un module de batterie interne (5 & 6kVA), PDU amovible et modules PDU parallèles amovibles • Montage en rack et compatible avec montage en tour

*Non approprié pour les applications mobiles.*

<b>Avertissements de sécurité importants</b>	<b>60</b>
<b>Montage</b>	<b>61</b>
<b>Caractéristiques</b>	<b>62</b>
<b>Raccordement</b>	<b>67</b>
<b>Raccordement facultatif</b>	<b>70</b>
<b>Dérivation manuelle</b>	<b>69</b>
<b>Utilisation</b>	<b>73</b>
<b>Remplacement des batteries internes</b>	<b>86</b>
<b>Stockage et entretien</b>	<b>87</b>
<b>Garantie</b>	<b>87</b>
<b>English</b>	<b>1</b>
<b>Español</b>	<b>30</b>
<b>Русский</b>	<b>88</b>



1111 W. 35th Street, Chicago, IL 60609 USA • [www.tripplite.com/support](http://www.tripplite.com/support)

Copyright © 2012 Tripp Lite. Tous droits réservés. SmartOnline est une marque déposée de Tripp Lite.

# Avertissements de sécurité importants



VEUILLEZ CONSERVER CES INSTRUCTIONS. Le présent manuel contient des consignes et avertissements importants qui doivent être suivis tout au long de l'installation et des travaux de maintenance de cet appareil. Ne pas tenir compte de ces mises en garde pourrait affecter votre garantie.

## Avertissements concernant l'emplacement de l'UPS

- Installez votre UPS dans un endroit sain. Votre UPS est extrêmement lourd ; soyez prudents lorsque vous déplacez ou soulevez l'unité.
- Utilisez votre UPS uniquement à une température ambiante entre 32° F et 104° F (entre 0° C et 40° C). Pour de meilleurs résultats, maintenez la température ambiante entre 62° F et 84° F (entre 17° C et 29° C).
- Laissez suffisamment d'espace tout autour de l'UPS pour maintenir une bonne ventilation.
- Ne pas installer l'UPS près d'un support de stockage magnétique, car cela pourrait en corrompre les données.
- Ne montez pas cette unité avec le panneau arrière ou avant positionné vers le bas (à tout angle). Un tel montage entraverait sérieusement le refroidissement interne de l'unité, provoquant des dommages n'étant pas couverts par la garantie.

## Avertissements concernant le raccordement de l'UPS

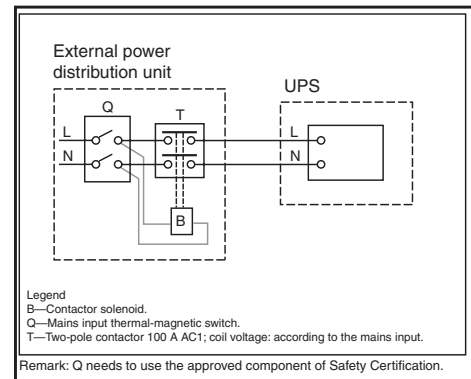
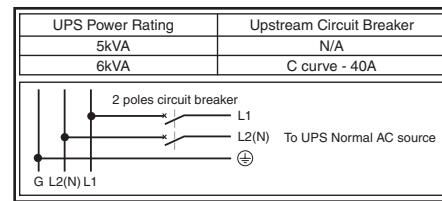
- Isolez l'UPS avant de travailler sur ce circuit.
- Cette unité doit être alimentée par un courant monophasé réglé en fonction de la plaque signalétique de l'équipement. Elle doit également être raccordée à la terre.

## Avertissements concernant le raccordement de l'équipement

- L'utilisation de cet équipement sur des appareils de réanimation alors que son échec pourrait provoquer la défaillance de ces appareils ou affecter gravement leur sécurité ou leur efficacité n'est pas recommandée.
- Raccordez la borne de terre du module d'alimentation de votre UPS à un conducteur d'électrodes de terre.
- L'UPS est raccordé à une source d'énergie en CC (batterie). Il se peut que les bornes de sortie soient sous tension même lorsque l'UPS n'est pas raccordé à un courant CA.

## Appareils de protection nécessaires et coupes transversales des câbles

### Recommandé de protection en amont



## Avertissements concernant la maintenance

- Le module d'alimentation de votre UPS et les module(s) de batterie ne nécessitent pas d'entretien régulier. Ne les ouvrez en aucune circonstance. Aucune pièce ne peut être réparée par l'utilisateur.

## Avertissements pour batteries

- Branchez uniquement les modules de batterie Tripp Lite (du type et de tension adaptés) au connecteur de batterie externe du module d'alimentation de votre UPS.
- Les batteries peuvent présenter un risque de choc électrique et surchauffer à la suite d'un court-circuit. Soyez particulièrement prudents. Ne jetez pas les batteries au feu. N'ouvrez ni l'UPS ni les batteries. N'établissez pas de court-circuit ou de pont entre les bornes de la batterie et un objet quelconque. Débranchez et mettez votre UPS sous tension avant de remplacer les batteries. Utilisez des batteries ayant des poignées isolées. Aucune pièce ne peut être réparée par l'utilisateur. Le remplacement des batteries doit être effectué uniquement par un technicien autorisé. Les batteries de remplacement doivent être de même numéro et du même type (batteries acide plomb scellées). Les batteries sont recyclables. Consultez la législation locale en matière d'élimination des déchets ou rendez-vous sur [www.tripplite.com/UPSbatteryrecycling](http://www.tripplite.com/UPSbatteryrecycling) pour toute information relative au recyclage. Tripp Lite propose une gamme complète de cartouches de batterie de remplacement pour les Systèmes UPS (R.B.C.). Venez retrouver Tripp Lite sur le Web à l'adresse [www.tripplite.com/support/battery/index.cfm](http://www.tripplite.com/support/battery/index.cfm) afin de trouver les batteries de remplacement spécifiques à votre UPS.
- Les fusibles doivent être remplacés uniquement par un technicien autorisé de l'usine. Les fusibles grillés doivent être uniquement remplacés par le même numéro et le même type de fusibles.
- Les travaux d'entretien et de réparation doivent être effectués uniquement par un technicien formé. Tout travail de réparation sur l'UPS doit être réalisé hors tension ou après avoir été dérivé manuellement via le transformateur. Avant toute réparation des modules d'alimentation se branchant directement sur des prises électriques murales, ils doivent être éteints et débranchés. Veuillez noter qu'il est possible que la tension de cette unité atteigne un niveau excessif (voire mortel) tant que la batterie est raccordée au courant.
- Le(s) module(s) de batterie ne doivent être ni raccordé(s) ni retiré(s) tant que l'UPS est en service à partir de la batterie ou si le PDU amovible n'est pas en mode dérivation (si votre UPS comprend un transformateur doté d'un interrupteur de dérivation).
- Au cours du remplacement « à chaud » du module de batterie, votre UPS ne sera pas en mesure de vous fournir une batterie de secours en cas de panne.
- Ne raccordez que le(s) module(s) de batterie compatible(s).

# Montage

Installez votre équipement sur un rack à quatre ou à deux montants ou dans la baie. Il incombe à l'utilisateur de déterminer la compatibilité du matériel et des procédures avant de commencer le montage. Si le matériel ou les procédures ne correspondent pas à votre application, veuillez contacter le fabricant de votre rack ou de la baie. Les procédures décrites dans le présent manuel sont prévues pour les types de racks et baies couramment utilisés et il se peut qu'elles ne conviennent pas à toutes les applications.

## Montage à 4 montants

**1** Les chevilles **A** en plastique qui sont fournies soutiendront provisoirement les étagères **B** vides du rack pendant que vous installez les pièces de montage permanentes. Insérez une cheville près du centre de l'équerre avant et arrière de chaque étagère comme indiqué (chaque équerre avant présente 6 trous et chaque équerre arrière 3). Les chevilles se mettront en place.

Après avoir installé les chevilles, étendez chaque étagère pour qu'elles correspondent à la profondeur des rails de votre rack. Disposez les chevilles dans les trous carrés des rails du rack pour soutenir les étagères. Référez-vous aux étiquettes de chaque rack pour vérifier que les étagères sont au même niveau. **Remarque : le rebord de support de chaque étagère doit être dirigé vers l'intérieur.**

**2** Fixez solidement les étagères **B** sur les rails de montage de manière permanente à l'aide des vis et rondelles cuvettes **C** fournies comme indiqué.

- Pour le montage d'un équipement à 4U, placez 6 vis devant et 4 vis derrière.

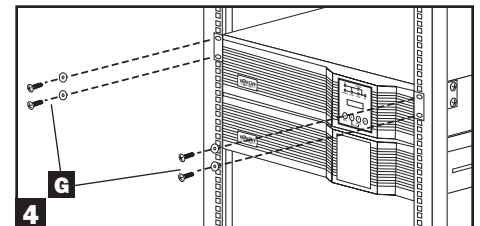
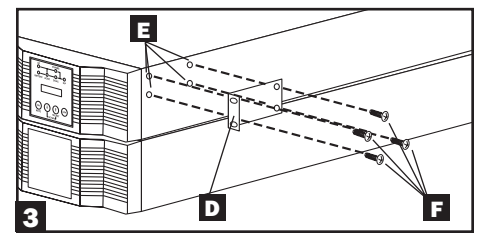
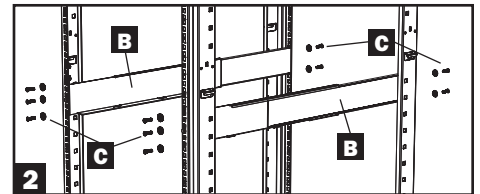
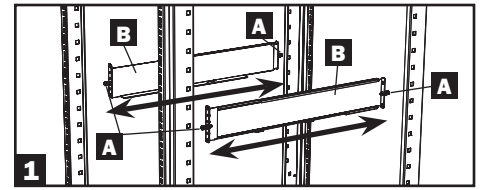
Serrez bien toutes les vis avant de continuer.

**Avertissement : n'essayez pas d'installer votre équipement avant d'avoir inséré et serré correctement les vis. Les chevilles en plastique ne pourront pas supporter le poids de votre équipement.**

**3** Attachez les étriers de montage **D** sur le devant des œillets de montage de votre équipement **E** à l'aide des vis **F** fournies. Les étriers doivent être dirigés vers l'avant.

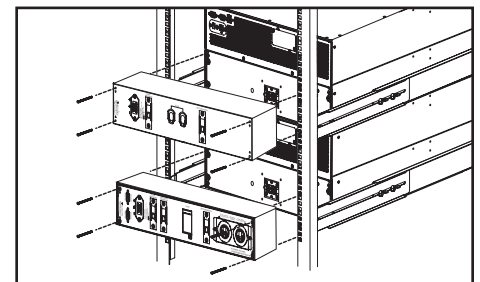
*Remarque : Il est recommandé que vous enleviez les batteries internes de l'ASC avant l'installation. Cela permettra d'enlever du surpoids et du fait même une manutention plus sécuritaire de l'équipement. Consulter la section Remplacement des batteries pour des instructions sur le retrait des batteries.*

**4** À l'aide d'un assistant, soulevez l'équipement et faites-le glisser sur les étagères de montage. Fixez votre équipement sur le rack en passant les vis, les écrous et les rondelles **G** (fournis par l'utilisateur) à travers les étriers de montage et dans les rails du rack. Vérifiez de bien utiliser les rails du rack pour chaque composant.



## Configuration de l'ASC 12kVA – SU12KRT4UHW seulement (en utilisant 2 blocs de puissance de 6 kVA)

Voir le manuel inclus avec le PDU pour le montage de SU12KRT4UHW.



## Montage à 2 montants (facultatif)

Pour installer votre ASC de 5 kVA ou 6 kVA sur un bâti à 2 montants, vous devez acheter un nécessaire d'installation à 2 montants sur bâti Tripp Lite (modèle : 2POSTRMKITHD, vendu séparément) pour chaque bloc de puissance et bloc de batteries installé. Voir le manuel de l'utilisateur du kit d'installation pour obtenir l'intégralité des consignes de montage.

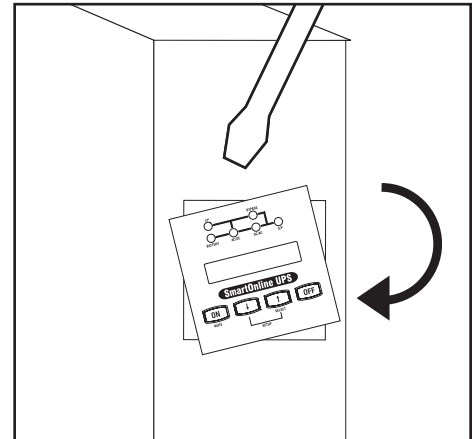
*Remarque : l'installation à 2 montants n'est pas recommandée pour les systèmes d'ASC de 12 kVA.*

# Montage

## Montage en tour

Pour installer le système d'alimentation sans coupure (UPS) dans une position verticale (tour), l'accessoire 2-9U STAND de Tripp Lite est requis (vendu séparément).

Une fois installé, pivotez le tableau de commande du module de puissance pour faciliter le visionnement lorsque le système d'alimentation sans coupure (UPS) est à la verticale. Insérez un petit tournevis, ou un autre outil similaire, dans les fentes de chaque côté du tableau de commande, soulevez le panneau, pivotez-le et pressez-le de nouveau en place.

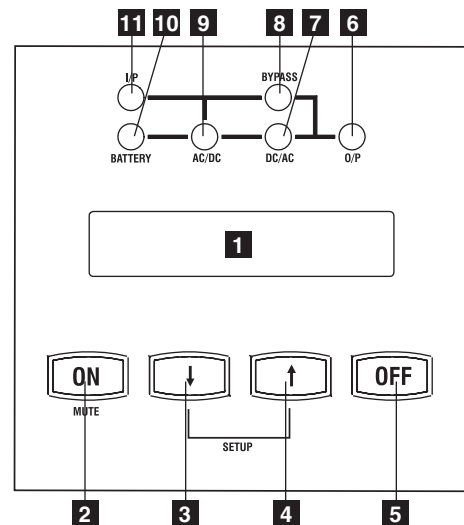


## Caractéristiques

Avant d'installer et de mettre votre UPS en service, familiarisez-vous avec l'emplacement et la fonction des caractéristiques de chaque composant.

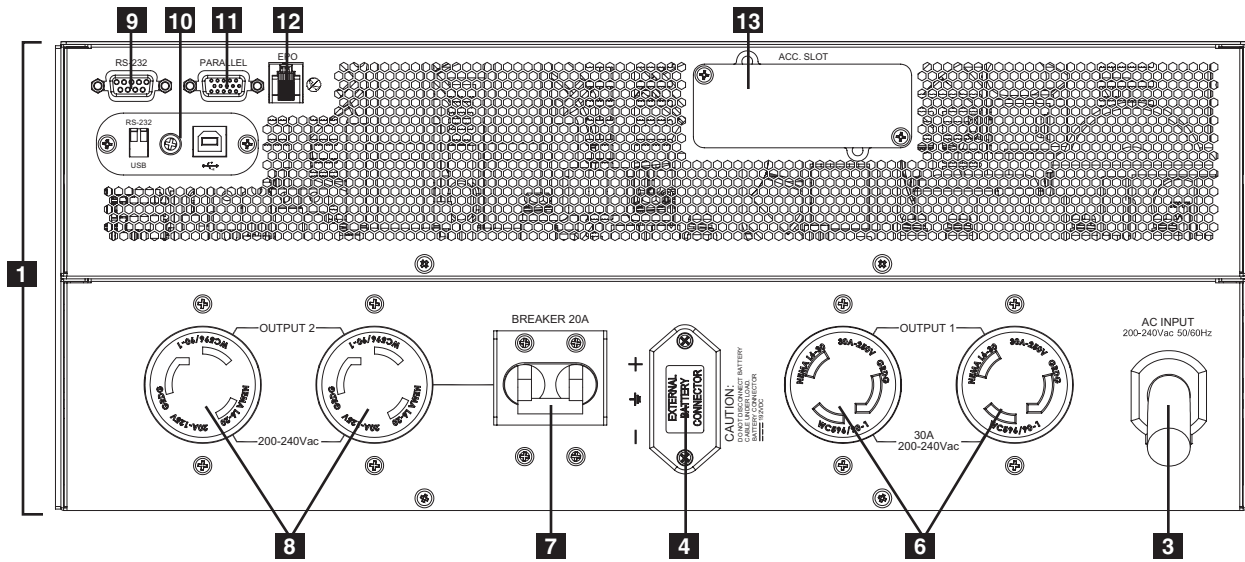
### Commandes du Panneau avant du module d'alimentation

- 1 AFFICHAGE À CRISTAUX LIQUIDES (LCD) :** cet affichage rétro-éclairé à matrice à points lumineux (16 × 2 caractères) indique une large gamme de conditions de fonctionnement et de données de diagnostic afférant à votre UPS. Il présente également les paramètres et options de l'UPS lorsque celui-ci est en mode configuration.
- 2 BOUTON « ON/MUTE » :** appuyez sur ce bouton et maintenez la pression jusqu'à ce que vous entendiez un bip. L'onduleur du système UPS est alors sur ON. Si l'alarme de la batterie de l'UPS sonne, appuyez sur ce bouton pour l'arrêter.
- 3 BOUTON « SCROLL DOWN/EXIT SETUP » :** ce bouton vous permet de parcourir les différentes options et de voir la puissance sur l'affichage LCD. Lorsque vous appuyez sur ce bouton et le relâchez, l'écran LCD affiche les différents niveaux de puissance (voir « Utilisation »). Lorsque vous appuyez dessus en même temps que sur le bouton « SCROLL UP », l'UPS entre en mode configuration, et dans ce cas, ce bouton est utilisé pour faire défiler les options de configuration et pour sortir du mode configuration.
- 4 BOUTON « SCROLL UP/SELECT » :** ce bouton vous permet de parcourir les différentes options et de voir la puissance sur l'affichage LCD. Lorsque vous appuyez sur ce bouton et le relâchez, l'écran LCD affiche les différents niveaux de puissance (voir « Section Utilisation »). Lorsque vous appuyez dessus en même temps que sur le bouton « SCROLL DOWN », l'UPS entre en mode configuration, et dans ce cas, ce bouton est utilisé pour sélectionner les options de configuration.
- 5 BOUTON « OFF » :** appuyez sur ce bouton jusqu'à ce que vous entendiez un bip. L'onduleur du système UPS est alors sur OFF.
- 6 DEL « O/P » (sortie) :** cette lumière verte s'allumera pour indiquer que votre UPS fournit un courant CA à l'équipement raccordé.
- 7 DEL « DC/AC » (onduleur – CC/CA) :** cette lumière verte s'allumera pour indiquer que l'onduleur CC/CA de l'UPS est activé.
- 8 DEL « BYPASS » (dérivation) :** cette lumière jaune clignotera quant l'ASC fournit une alimentation filtrée du secteur électrique sans enclencher le convertisseur ou l'inverseur. Si cette DEL clignote, l'équipement connecté ne recevra pas d'alimentation de la batterie en cas de panne. Si le mode Économie est activé, cette DEL demeurera allumée et l'équipement connecté recevra d'alimentation en cas de panne.
- 9 DEL « AC/DC » (convertisseur – CA/CC) :** cette lumière verte s'allumera pour indiquer la mise en charge des blocs-batteries raccordés par le biais du convertisseur CA/CC de l'UPS.
- 10 DEL « BATTERY » (batterie) :** cette lumière verte s'allumera lorsque l'UPS décharge la batterie pour fournir à l'équipement raccordé un courant CA. Une alarme se mettra en route. Vous pouvez l'éteindre en appuyant sur le bouton « ON/MUTE ». Cette DEL restera allumée après que l'alarme a cessé de sonner.
- 11 DEL I/P (entrée) :** cette lumière verte s'allumera pour indiquer que l'alimentation d'entrée CA est présente.

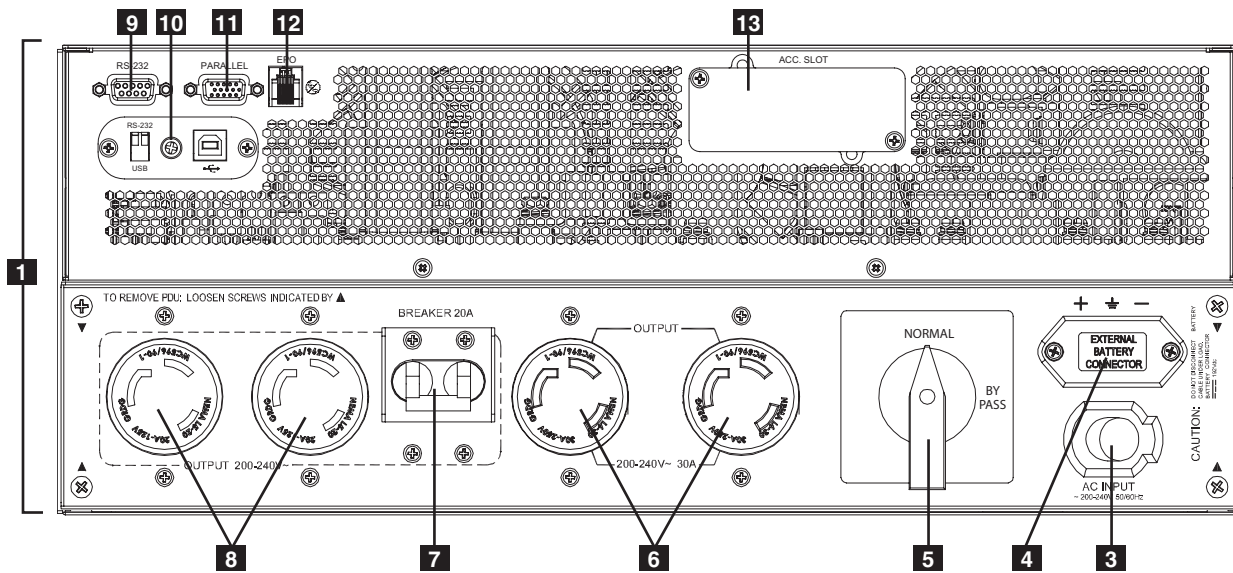


**Caractéristiques (Panneau arrière)** Voir la section « caractéristiques » pour la description des caractéristiques

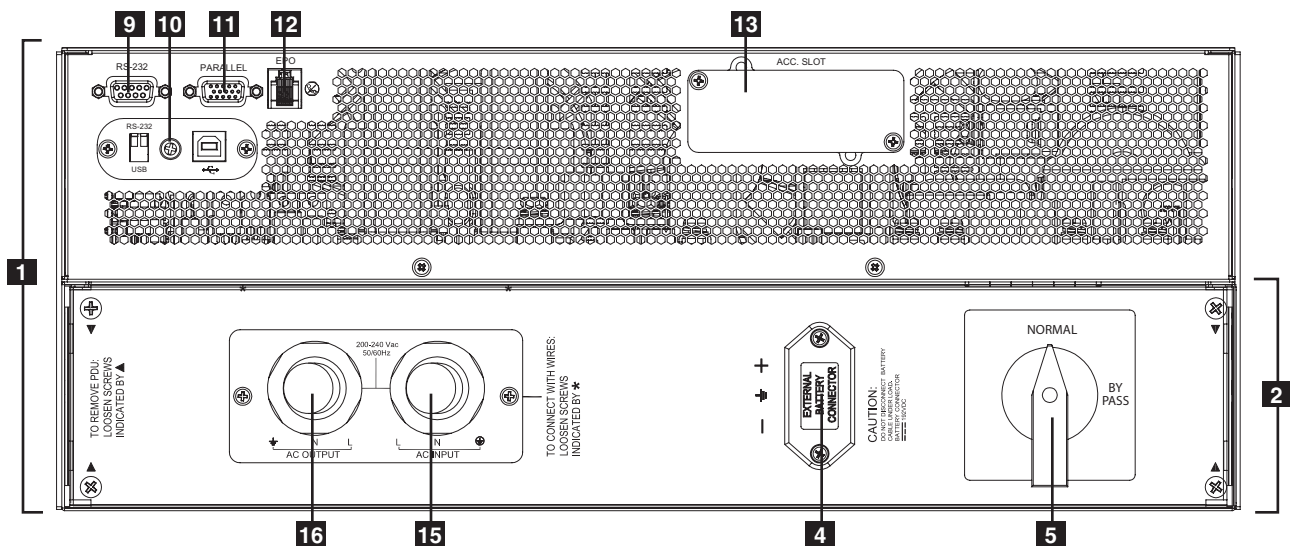
**SU4000RT4UHV—Système UPS 5kVA**



**SU6000RT4UHV—Système UPS 6kVA avec PDU NEMA**

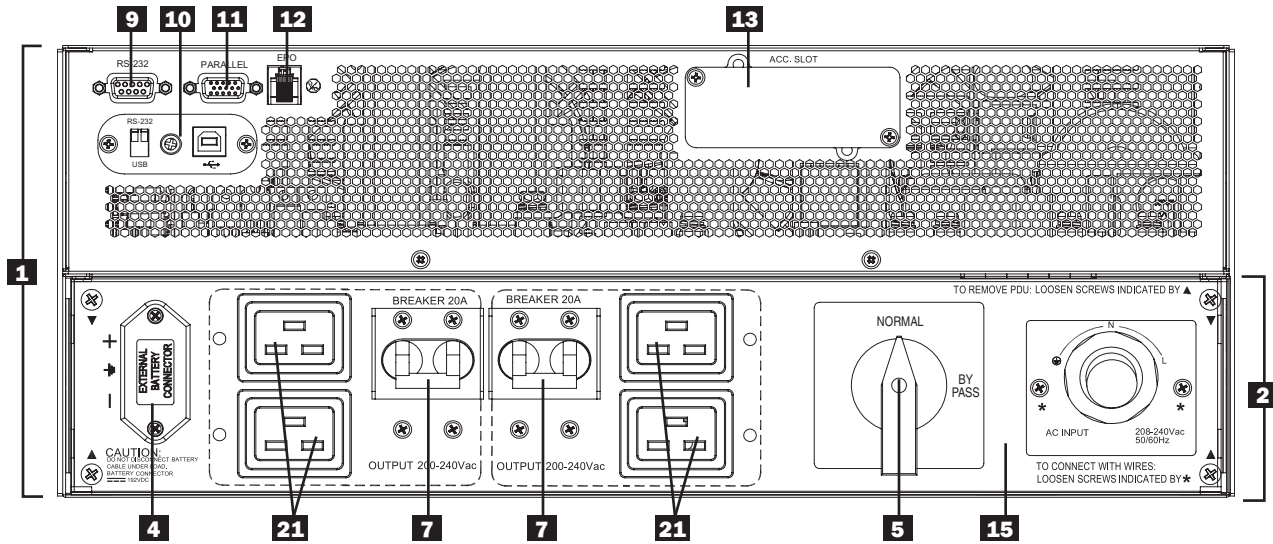


**SU6000RT4UHVHW—Système UPS 6kVA avec PDU câblé**



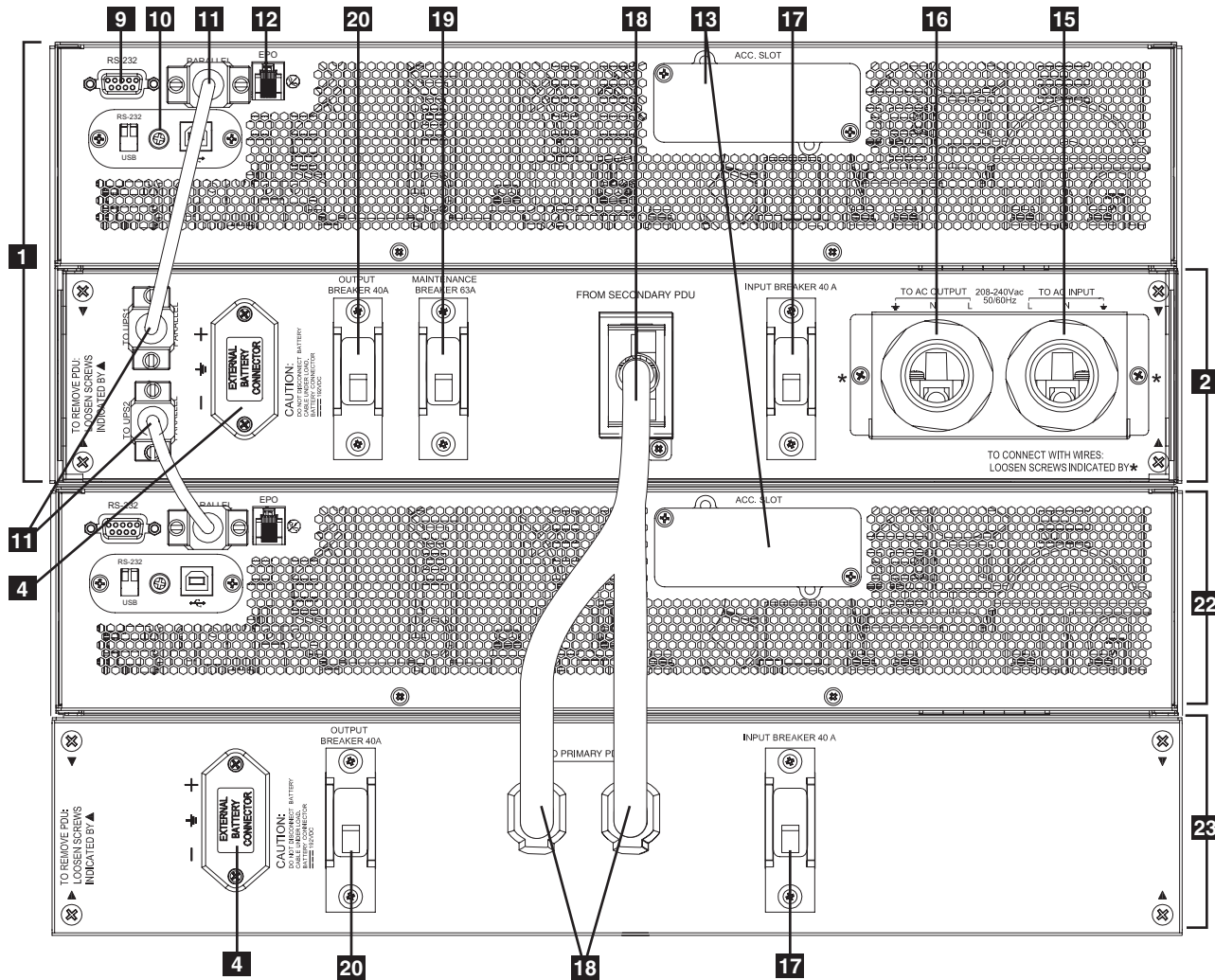
# Caractéristiques (Panneau arrière) Voir la section « caractéristiques » pour la description des caractéristiques

## SU6000RT4UHVg—Système UPS 6kVA avec PDU IEC



## SU12KRT4UHW—Système d'ASC de 12 kVA et modules PDU parallèles

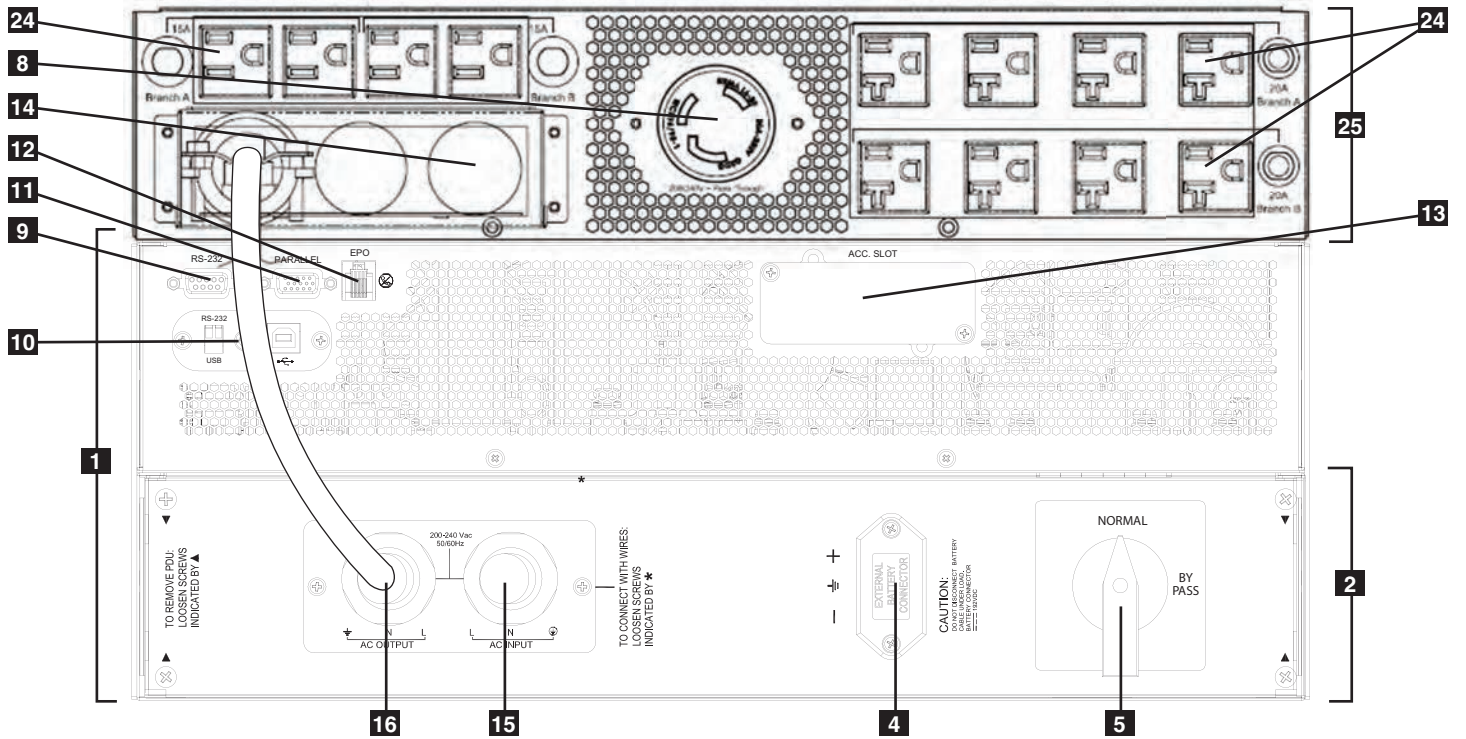
Remarque : Voir le manuel inclus avec le PDU parallèle pour des instructions concernant l'installation, la configuration et le réglage 12 kVA.



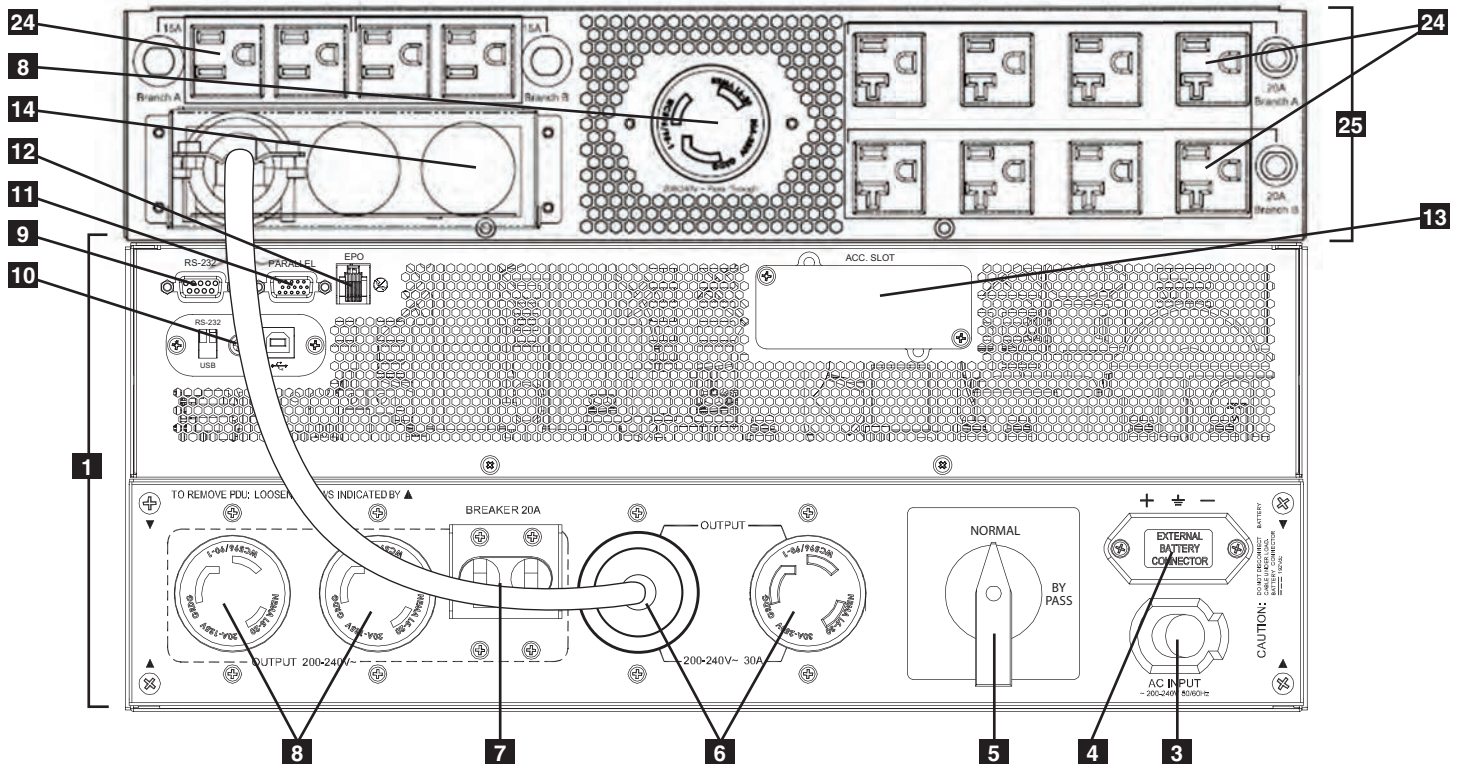


**Caractéristiques (Panneau arrière)** Voir la section « caractéristiques » pour la description des caractéristiques

**SU6000RT4UTFHW—ASC 6 kVA avec PDU à raccordement fixe et le transformateur abaisseur d'isolation 6 kVA (SU6000XFMR2U)**



**SU6000RT4UTF—ASC 6 kVA avec PDU NEMA et transformateur d'isolation 6 kVA**



## Caractéristiques (Panneau arrière)

- 1 Système UPS** : cette unité autonome contient les composants de l'alimentation et de contrôle du système UPS ainsi que les batteries internes.
- 2 Distributeur d'alimentation amovible et indépendant (PDU)** : cette unité autonome contient les composants d'entrée et de sortie du système UPS ainsi que le commutateur de dérivation. Lorsque le commutateur est réglé sur dérivation, le PDU peut être entièrement retiré du module de batterie/d'alimentation pour un entretien régulier de la batterie/alimentation, et ce, sans couper l'alimentation vers les charges branchées. Lorsque ce commutateur est positionné sur « BYPASS » (dérivation), l'équipement raccordé recevra le courant de service CA, mais ne pourra pas recevoir l'alimentation de la batterie en cas de panne.
- 3 Cordon d'entrée CA** : se branche directement à la prise murale pour un courant de service de 200-240V CA.
- 4 Connecteur de batterie externe** : utilisez ce connecteur pour raccorder un ou plusieurs modules de batterie Tripp Lite au module d'alimentation. Le module d'alimentation ne se mettra pas en marche s'il n'est pas raccordé à un module de batterie chargé. Consultez le manuel de l'utilisateur relatif au module de batterie pour obtenir les consignes de raccordement et les avertissements de sécurité.
- 5 Commutateur de dérivation de maintenance** : permet au technicien qualifié de retirer le PDU amovible du module de batterie/d'alimentation pour effectuer les travaux de maintenance réguliers sans interrompre l'alimentation vers la charge. Lorsque ce commutateur est positionné sur « BYPASS » (dérivation), la charge recevra le courant de service CA et aucune batterie de secours ne sera disponible en cas de panne. Voir la section « Utilisation en dérivation manuelle » pour obtenir davantage de détails sur les procédures de dérivation manuelle.
- 6 Prises de sortie CA L6-30R** : permet un raccord direct avec les prises de l'équipement NEMA L6-30.
- 7 Disjoncteur de sortie 20A** : un disjoncteur de circuit bipolaire contrôle l'alimentation de sortie aux prises de chaque modèle.
- 8 Prises de sortie CA L6-20R** : permet un raccord direct avec les prises de l'équipement NEMA L6-20.
- 9 Port de communication RS-232** : ce port de série femelle DB9 peut être utilisé pour raccorder votre UPS à une station de travail ou à un serveur. Il utilise un protocole RS-232 pour communiquer avec un ordinateur raccordé. Il est utilisé avec le logiciel de Tripp Lite et le câble série fourni pour surveiller et gérer l'UPS à distance sur un réseau et pour sauvegarder automatiquement des fichiers ouverts et éteindre l'équipement en cas de panne. Voir « Raccordement optionnel » pour plus de détails.
- 10 Mini-slot** : connecteur USB (désactivé par défaut – commutateurs DIP en position RS-32 pour activer le déplacement des deux commutateurs DIP sur la position USB). Une carte avec fermeture à contact en option est disponible si nécessaire (Tripp Lite part # RELAYIOMINI).
- 11 Connecteur parallèle** : pour une communication UPS en parallèle (uniquement en option sur les modèles 6kVA). Se reporter au manuel fourni avec l'ensemble PDU parallèle. Pour plus de renseignements, visitez [www.tripplite.com/support](http://www.tripplite.com/support).
- 12 Port EPO (Emergency Power Off – arrêt d'urgence)** : utilisé pour raccorder le module d'alimentation au commutateur avec fermeture à contact pour permettre l'arrêt d'urgence. Voir la section « Raccordement optionnel » pour plus de détails.
- 13 Fente accessoire** : Retirez la petite plaque de revêtement pour installer les accessoires facultatifs permettant de contrôler et de surveiller à distance votre Système UPS. Rendez-vous sur le site Internet de Tripp Lite ([www.tripplite.com](http://www.tripplite.com)) pour obtenir plus d'informations, notamment la liste des SNMP et des produits de gestion de réseau et de connectivité qui peuvent être installés dans cette fente.
- 14 Bloc de borne d'entrée / sortie CA du transformateur (ASC 6 kVA seulement)** : utilisez ce terminal pour créer une liaison avec un système UPS normalisé.
- 15 Bloc de branchement d'entrée d'alimentation de service (UPS 6kVA et module 12kVA IEC/PARALLÈLE/CABLÉ uniquement)** : utilisez ces bornes pour raccorder le PDU au courant de service. Pour accéder aux bornes, dévissez et retirez la protection du bloc de branchement.
- 16 Bloc de branchement de sortie de l'équipement (UPS 6kVA et module 12kVA IEC/PARALLÈLE/CABLÉ uniquement)** : utilisez ces bornes pour raccorder le PDU à votre équipement. Pour accéder aux bornes, dévissez et retirez la protection du bloc de branchement.
- 17 Disjoncteur d'entrée CA** : un disjoncteur de circuit bipolaire contrôle l'entrée d'alimentation vers le PDU.
- 18 Interconnexion parallèle d'alimentation** : à utiliser exclusivement avec un deuxième PDU en parallèle.
- 19 Disjoncteur de maintenance (ASC 12 kVA seulement)** : contrôle la maintenance sur le PDU.
- 20 Disjoncteur de sortie CA** : un disjoncteur de circuit bipolaire permet la dérivation du système en parallèle vers la charge.
- 21 Prises de sortie CA (UPS 6kVA/module PDU IEC uniquement)** : permet un raccord direct avec les prises de l'équipement IEC-320-C20.
- 22 Module d'ASC secondaire**
- 23 Module du PDU secondaire**
- 24 Prises de courant (sorties) CA 5-15/20R** : Accommodent la connexion directe des prises NEMA 5-15P ou 5-20P de l'équipement.
- 25 Transformateur abaisseur d'isolation** : Ce module autonome offre un moyen de brancher les appareils à basse et à haute tension au système d'alimentation sans coupure (UPS).

## Raccordement

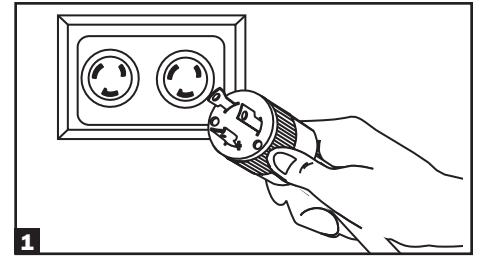
**Remarque :** la tension de sortie est réglée à 208~ (par défaut) par le fabricant. Si vous avez besoin de changer la tension de sortie de votre UPS, veuillez vous reporter à « Sélection de la tension de sortie » dans la section « Utilisation ». Vous devez sélectionner la tension de sortie adaptée avant de raccorder votre équipement à l'UPS.

### 1 Brancher le cordon d'alimentation de votre UPS dans une prise électrique murale (SU5000RT4UHV, SU5000RT4UTF, SU6000RT4UHV, SU6000RT4UTF)

Votre UPS doit être raccordé à un circuit prévu à cet effet et doté d'un ampérage adapté.

*Remarque!* Après avoir connecté l'ASC à une source d'alimentation CA, l'ACL de l'ASC affichera « BYPASS MODE » (mode de dérivation) et chargera automatiquement ses batteries tout en fournissant de la puissance à la sortie.

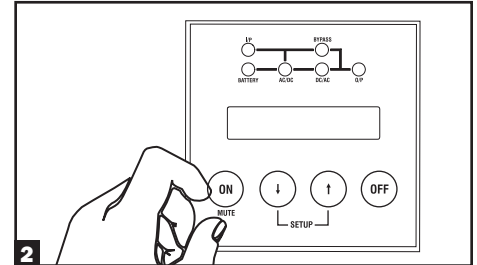
Si vous avez un PDU avec une dérivation manuelle, régler le commutateur de dérivation du PDU à « NORMAL ».



### 2 Allumer l'UPS (« ON »)

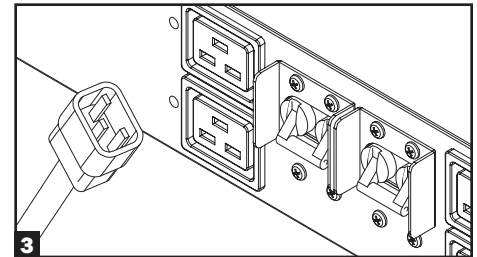
Appuyez sur le bouton « ON » jusqu'à entendre un bip qui annonce le fonctionnement de l'onduleur. Votre UPS effectuera un court auto-test et affichera les résultats à l'écran LCD. Voir le « Auto-test de démarrage » dans la section « Utilisation » pour l'ordre de l'affichage. Votre ASC fournira maintenant une alimentation filtrée à la sortie CA.

*Note:* L'onduleur fonctionnera correctement dès le démarrage d'initialisation, cependant le fonctionnement maximum de la batterie de l'unité ne sera accessible qu'après avoir été rechargée durant 24 heures.



### 3 Raccorder votre équipement à votre UPS

Votre UPS est conçu pour supporter les équipements électroniques uniquement. Vous surchargez votre UPS si la tension VA totale pour l'ensemble des équipements que vous branchez dépasse la capacité de sortie de votre UPS. Ne branchez pas les appareils électriques ménagers ou les imprimantes laser sur les bornes de sortie de l'UPS. Pour connaître les tensions VA de vos équipements, regardez leurs plaques nominales. Si c'est en ampères que l'équipement se caractérise, multiplier le nombre d'ampères par la tension d'entrée (200V-240V) pour déterminer la VA (exemple : 1 amp. x 208V = 208VA).



### 4 Éteindre l'UPS (facultatif)

Appuyez sur le bouton « OFF » jusqu'à entendre un bip. On vous demandera « Oui/Non ». Sélectionnez « Oui » pour continuer à éteindre l'UPS. Sélectionnez « Non » pour annuler l'opération. L'UPS continuera à charger automatiquement ses batteries et fournira une sortie CA non filtrée tant et aussi longtemps que la puissance de sortie CA est présente. Pour désactiver complètement l'ASC, débrancher le câble d'entrée de l'ASC lorsque le système d'ASC se trouve en mode d'attente.

### 5 Démarrage à froid de l'UPS (facultatif)

Pour utiliser votre UPS comme source d'alimentation autonome lorsque le courant CA n'est pas disponible (lors d'une coupure de courant), vous avez la possibilité de démarrer à froid votre UPS et d'alimenter l'équipement raccordé grâce aux batteries de l'UPS. Elles doivent être au moins partiellement chargées pour que cette opération soit possible. Maintenez appuyé le bouton « ON » jusqu'à entendre un bip pour démarrer à froid votre UPS. L'écran LCD affichera EN MODE BATTERIE (« ON BATTERY MODE »). Les batteries commenceront à se décharger. Certains équipements électroniques demanderont davantage d'ampères pendant le démarrage ; lorsque vous effectuez un démarrage à froid, pensez à réduire la charge initiale sur l'UPS.

## Branchement d'entrée des barrettes de raccordement (SU6000RT4UHVHW, SU6000RT4UHV, SU6000RT4UTFHW)

*Remarque :* Pour des renseignements concernant le câblage réel de SU12KRT4UHW, voir le manuel inclus avec le PDU parallèle.

### Précautions concernant le câblage

- Le câblage doit être effectué par un électricien qualifié.
- Lorsque vous effectuez les raccordements de câbles, veuillez respecter les réglementations en matière de raccordement des câbles en vigueur dans votre région [par exemple, le Code national de l'électricité (« EC ») est en vigueur aux États-Unis] à tout moment. Veuillez à installer un interrupteur général facilement accessible dans votre câblage afin de pouvoir couper le courant CA de l'UPS en cas d'incendie ou autres cas d'urgence. Assurez-vous que les câbles sont chemisés et sont fixés par les crochets du connecteur. Serrez les raccordements à la torque d'au moins 24-28 pouces-livres (2,7-3,2 NM).
- Assurez-vous que votre équipement est correctement relié à la terre.
- L'utilisation de câbles dont les dimensions ne sont pas adaptées peut endommager votre équipement et vous exposer à un risque d'incendie. Veuillez à choisir les câbles et les circuits de protection qui conviennent pour effectuer le raccordement de vos câbles. Les conducteurs de terre doivent être de la même taille et du même type que les conducteurs d'alimentation utilisés.
- Consultez les directives du Code national de l'électricité pour en savoir plus sur les exigences en termes de calibre de fils approprié et de circuit de protection de sortie.

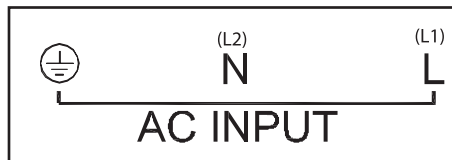
## Raccordement (suite)

### Branchement des barrettes de raccordement – Module PDU IEC (SU6000RT4UHVVG)

Modèle	Tension d'entrée	Courant d'entrée nominal maximum	Taille des câbles standard
SUPDMB6KIEC	200~240V (L-N)	30A	8 mm <sup>2</sup>

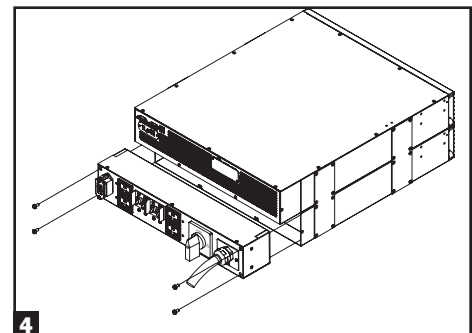
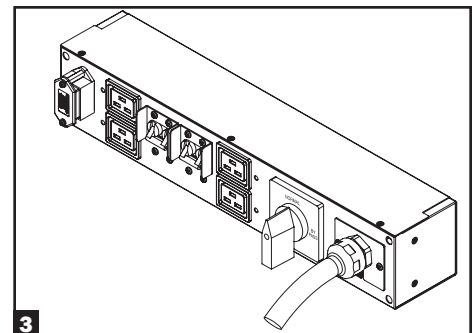
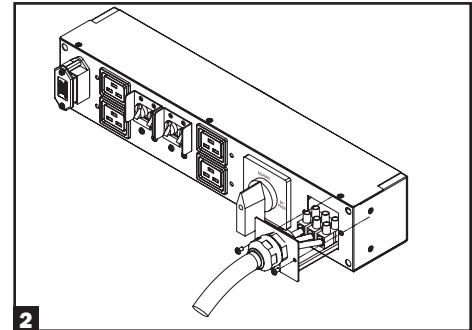
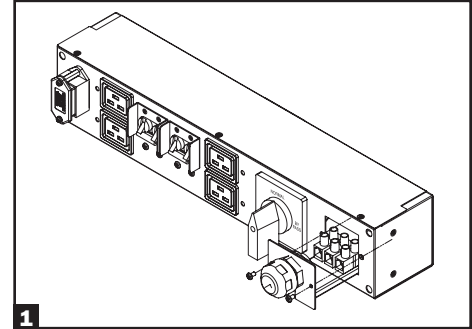
**1** Dévisser les trois vis pour retirer la plaque couvrant des barrettes de raccordement et la faire glisser comme indiqué dans le dessin 1.

**2** Brancher le L1, L2 et les câbles de mise à la terre (entrée câble, prise de sortie) en fonction des indications sur les bornes, comme dans le dessin 2.



**3** Faire glisser de nouveau la plaque couvrant les barrettes de raccordement et la refixer à l'aide des trois vis, comme dans l'étape 1.

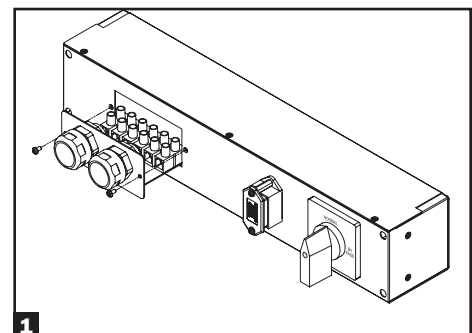
**4** Fixer le PDU sur le système UPS à l'aide des 4 vis, comme dans le dessin 4.



### Branchement des barrettes de raccordement – Premier module PDU en câblé (SU6000RT4UHVHW, SU6000RT4UTHFW)

Modèle	Tension d'entrée	Courant d'entrée maximum	Courant de sortie maximum	Taille des câbles standard
SUPDMB6KHW	200~240V (L-N)	32A	30A	8 mm <sup>2</sup>

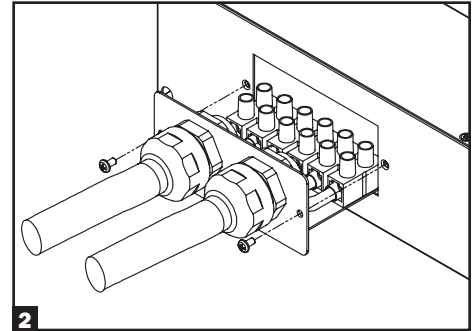
**1** Dévisser les trois vis pour retirer la plaque couvrant des barrettes de raccordement et la faire glisser comme indiqué dans le dessin 1.



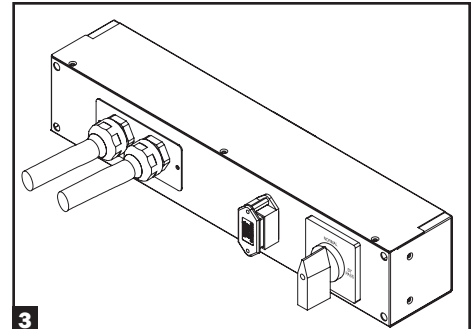
## Raccordement (suite)

- 2** Brancher les 2 jeux de L1, L2 et les câbles de mise à la terre (1 entrée, 1 prise de sortie) en fonction des indications sur les bornes, comme dans le dessin 2.

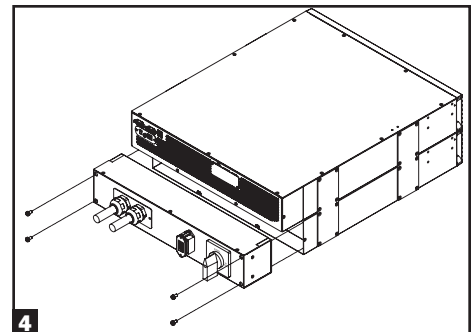
Assurez-vous de brancher un jeu de câbles sur les bornes d'entrée et l'autre jeu sur les bornes de sortie.



- 3** Faire glisser de nouveau la plaque couvrant les barrettes de raccordement et la refixer à l'aide des trois vis, comme dans l'étape 1.



- 4** Fixer le PDU sur le système UPS à l'aide des 4 vis, comme dans le dessin 4.



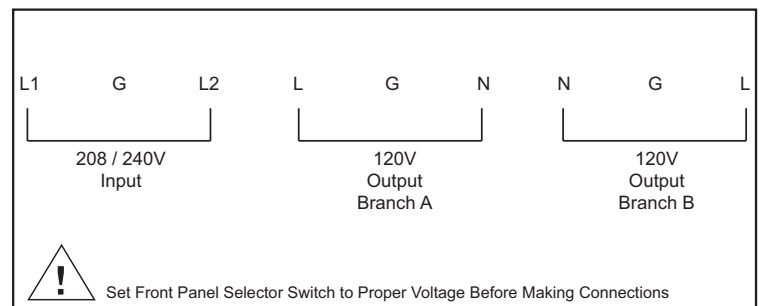
## Câblage réel du faisceau du transformateur (entrée / sortie)

### SU6000RT4UTF

1. Brancher le XFMR dans l'ASC.
2. Connecter le transformateur à l'ASC. Il peut s'agir d'un raccordement fixe, d'un raccordement à la sortie ou les deux, à condition que la charge combinée ne dépasse pas la capacité.

### SU12KRT4UHW

Voir le manuel inclus avec le PDU pour des renseignements concernant la connexion, le réglage et l'installation.



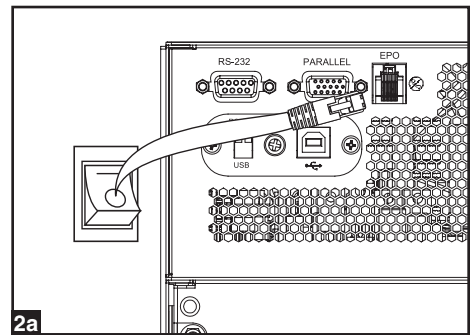
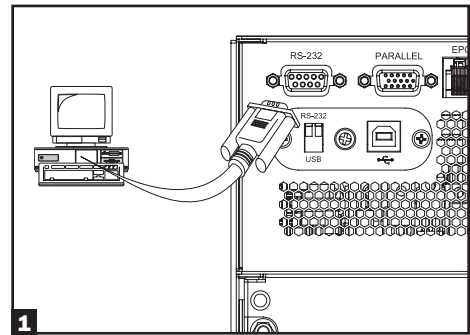
## Raccordement facultatif

Les raccordements suivants sont facultatifs. Votre système UPS fonctionnera correctement sans ces raccordements.

### 1 Raccordement de communication en série RS-232 et USB

Utilisez le câble fourni pour raccorder le port RS-232 au port de communication de votre ordinateur. Cette action permettra une surveillance complète du réseau et permettra également de contrôler votre UPS à distance. Installez sur votre ordinateur le logiciel Tripp Lite PowerAlert adapté à votre système d'exploitation. L'UPS est également équipé d'un module de communication USB.

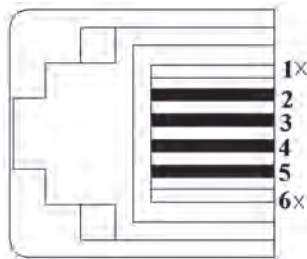
Un module alternatif de fermeture à contact est aussi disponible si nécessaire (Tripp Lite part # RELAYIOMINI). Par défaut, ce module est désactivé. Pour l'activer, déplacez les deux commutateurs DIP sur la position USB. Activer ce module active le port RS-232. Le port RS-232 se désactive également avec l'installation d'une carte SNMP/Web facultative (PI7CE Tripp Lite # SNMPWEBCARD). La carte SNMP/Web peut être utilisée en même temps que le module de communication USB.



### 2 Raccordement du port EPO

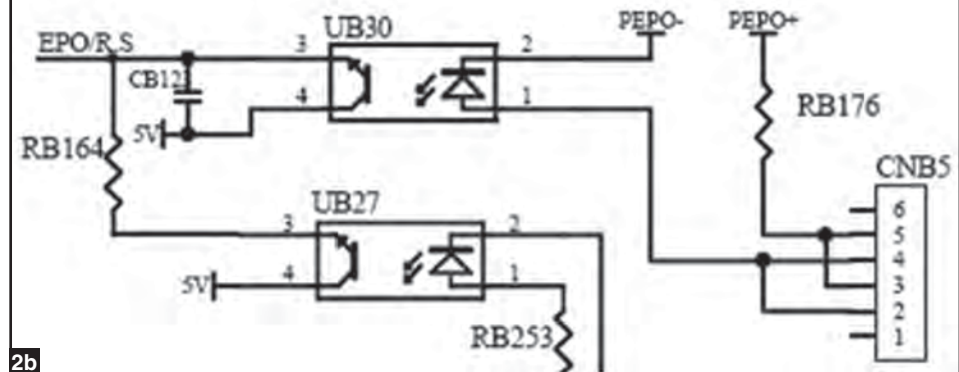
Cette caractéristique en option est seulement pour les applications qui nécessitent une connexion à un circuit de mise hors tension d'urgence (EPO) d'une installation. Lorsque l'ASC est connectée à ce circuit, elle permet la fermeture d'urgence de l'inverseur de l'ASC et empêche le transfert à une dérivation interne. À l'aide du câble fourni, brancher le port EPO à l'ASC (voir 2a) à un commutateur, fourni par l'utilisateur, normalement ouvert selon le diagramme du circuit (voir 2b).

#### Connecteur de l'EPO



Les broches 4 et 5 ou les broches 2 et 3 peuvent être raccourcies pour activer l'EPO.

#### Renseignements sur l'EPO



#### Remarque :

1. Si un câble autre que celui fourni est utilisé, le câble ne devrait pas excéder 106 mètres (350 pieds) ou avoir une résistance supérieure à 10 ohms.
2. Si un commutateur EPO sans maintien est utilisé, l'EPO doit être maintenu pendant au moins 1 seconde. Cela ne s'applique pas à un commutateur EPO avec maintien.
3. Pour la configuration de la connexion d'un commutateur de mise hors tension d'urgence (EPO) normalement fermé, veuillez contacter le service de l'assistance technique de Tripp Lite.

**MISE EN GARDE :** Le port EPO n'est pas un parasurtenseur de ligne téléphonique; ne pas brancher une ligne téléphonique à ce port.

## Raccordement facultatif (suite)

État de l'unité d'ASC en affirmant l'EPO en présence d'une ligne c.a. :

DEL	Sortie	Ventilateurs	Série	SNMP	USB	ÉCRAN ACL
OFF (hors tension)	OFF (hors tension)	OFF (hors tension)	OFF (hors tension)	OFF (hors tension)	OFF (hors tension)	« Arrêt d'urgence »

Pour redémarrer l'unité d'ASC après avoir affirmé l'EPO en présence d'une ligne c.a. :

1. Vérifier que l'assertion de l'EPO a été enlevée ou supprimée.
2. Enlever la ligne d'alimentation c.a. de l'unité d'ASC.
3. Remettre la ligne d'alimentation c.a. L'ASC va maintenant redémarrer en mode de dérivation et l'ACL affichera « BYPASS MODE » (mode de dérivation).

État de l'unité d'ASC en affirmant l'EPO sans ligne d'alimentation c.a. :

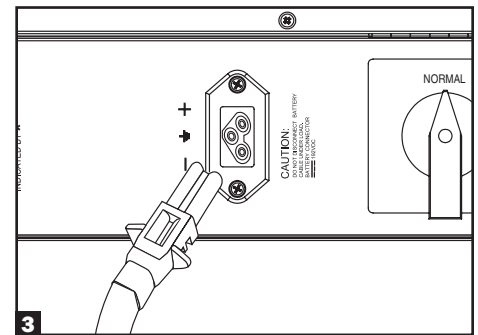
DEL	Sortie	Ventilateurs	Série	SNMP	USB	ÉCRAN ACL
OFF (hors tension)	OFF (hors tension)	OFF (hors tension)	OFF (hors tension)	OFF (hors tension)	OFF (hors tension)	« Arrêt d'urgence »

Pour redémarrer l'unité d'ASC après l'assertion de l'EPO sans ligne d'alimentation c.a. :

1. Vérifier que l'assertion de l'EPO a été enlevée ou supprimée.
2. Remettre la ligne d'alimentation c.a. sur l'unité d'ASC. L'ASC va maintenant redémarrer en mode de dérivation et l'ACL affichera « BYPASS MODE » (mode de dérivation).

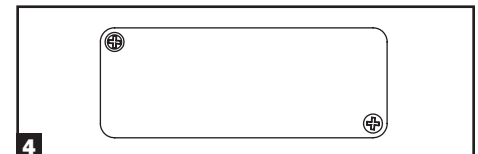
### 3 Raccordement d'une batterie externe

Votre UPS est fourni avec un système de batterie interne robuste ; les batteries externes permettent uniquement de rallonger le temps d'utilisation. Rajouter des batteries externes augmentera le temps de recharge ainsi que le temps de fonctionnement. Le dessin indique la localisation du connecteur de batterie externe de l'UPS, là où vous insérerez le câble du bloc de batteries. Suivez les instructions d'installation jusqu'à la fin pour connaître les instructions relatives au bloc de batteries. Assurez-vous que les câbles sont bien enfoncés dans les bornes. De petites étincelles peuvent apparaître lors du branchement, ceci est normal. Ne branchez ou ne débranchez pas les blocs de batteries lorsque l'UPS fonctionne sur l'alimentation des batteries.



### 4 Fente accessoire

Retirez le petit panneau protecteur de la fente accessoire pour installer une carte SNMP/Web interne accessoire (Modèle : SNMPWEBCARD) afin de pouvoir surveiller et contrôler votre UPS à distance par le biais de SNMP, Web ou telnet (la RELAYIOCARD de Tripp Lite est également disponible). Rendez-vous sur [www.tripplite.com/support](http://www.tripplite.com/support) pour obtenir plus d'informations, notamment la liste des SNMP et des produits de gestion de réseau et de connectivité disponibles.



## Remplacement à chaud du bloc de puissance\*

**ATTENTION !** Réservé aux techniciens qualifiés uniquement. Si vous ne respectez pas la procédure de dérivation à la lettre, le module d'alimentation de l'UPS ne s'éteindra pas correctement, ce qui peut présenter un danger de mort ou de préjudice grave en cas de contact avec une haute tension. Le module d'alimentation de l'UPS et le PDU amovible sont extrêmement lourds. L'exécution de cette procédure requiert plusieurs personnes.

Le système UPS comprend un PDU indépendant et amovible doté d'un commutateur de dérivation. Ce commutateur permet au technicien qualifié de retirer le PDU du module d'alimentation pour effectuer des travaux de maintenance réguliers sans interrompre l'alimentation vers les charges raccordées. Lorsque ce commutateur est positionné sur « BYPASS » (dérivation), l'équipement raccordé recevra le courant de service CA, mais ne pourra pas recevoir l'alimentation de la batterie en cas de panne.

\*Voir le manuel inclus avec le PDU parallèle SU12KRT4UHW pour la dérivation.

### Retrait de l'UPS (Configurations du bloc de puissance de l'ASC simple de 6 kVA seulement)

**ÉTAPE 1.** Désactivez PowerAlert et retirez la SNMP ou les câbles de communication USB en série des ports de communication **A** de l'UPS.

**ÉTAPE 2.** Appuyez sur le bouton **B** « OFF » de l'UPS, si l'UPS est en marche, jusqu'à ce que vous entendiez un bip et voyiez apparaître « BYPASS MODE » (mode dérivation) sur l'écran LCD **C** à l'avant du bloc de puissance. Vous serez invité(e) à saisir « BYPASS MODE » (mode de dérivation). Appuyez de nouveau sur le bouton « OFF » pour activer le « BYPASS MODE » (mode de dérivation).

**ÉTAPE 3.** Positionnez le commutateur de dérivation **D** du PDU amovible sur « BYPASS » (dérivation) à l'arrière du PDU de l'ASC.

**ÉTAPE 4.** Si un module de batterie externe est raccordé à l'UPS **E**, déconnectez-le de l'UPS.

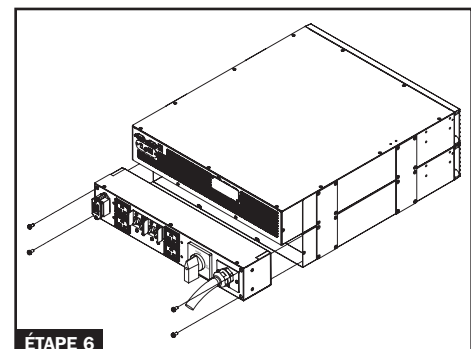
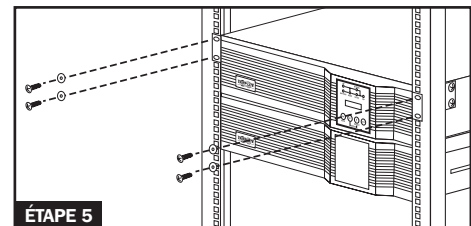
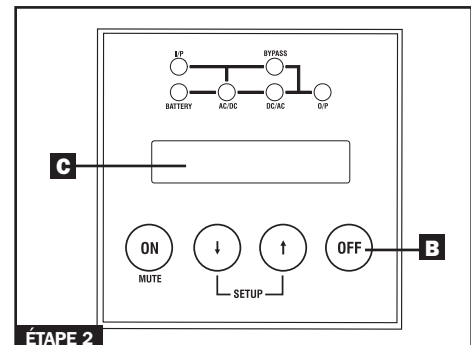
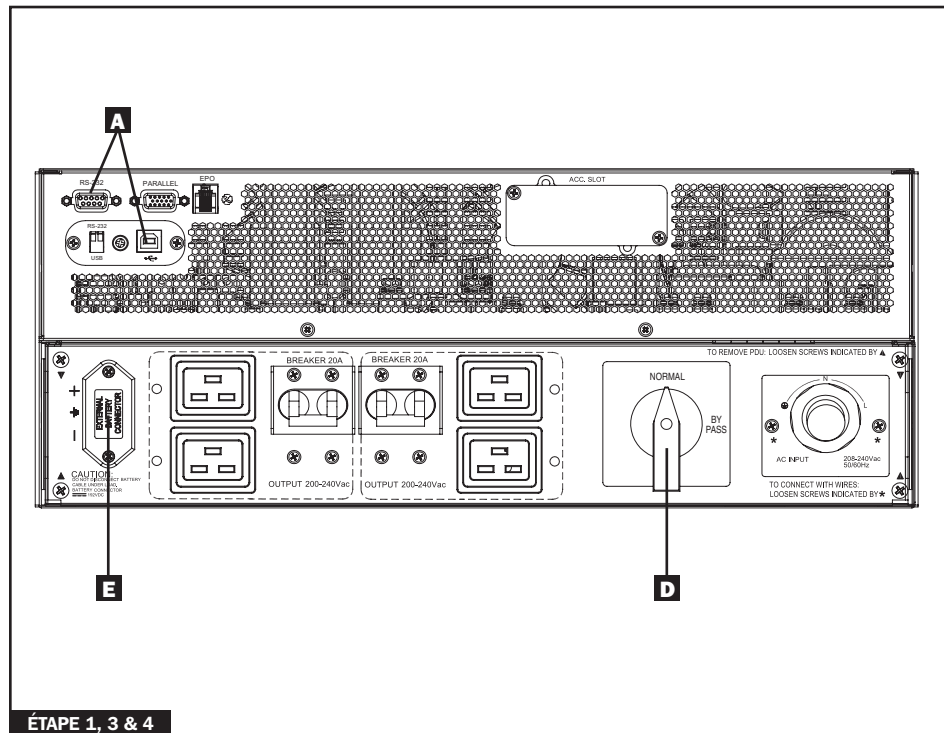
**Le module d'alimentation/de batterie de l'UPS est désormais éteint correctement et peut être retiré du PDU pour effectuer les travaux de maintenance/de remplacement.**

**ÉTAPE 5.** Retirez les quatre vis qui maintiennent les étriers de montage de votre UPS au rack. Avec le PDU encore fixé, déplacez légèrement (environ 4 pouces/10 cm) le système UPS et le PDU vers l'avant du rack en vous assurant que les deux éléments restent bien supportés par les rails du montage en rack de l'UPS.

**ÉTAPE 6.** À l'arrière de l'UPS, retirez les quatre vis qui tiennent le PDU amovible à l'UPS en maintenance. Avec l'aide de quelqu'un, maintenez le devant de l'UPS en place, détachez soigneusement le PDU de l'arrière de l'UPS et appuyez-le sur les rails de support de l'UPS. Enlevez le bloc de puissance de l'ASC à partir de l'avant du bâti.



**ATTENTION ! Haute tension ! Risque de choc électrique !**

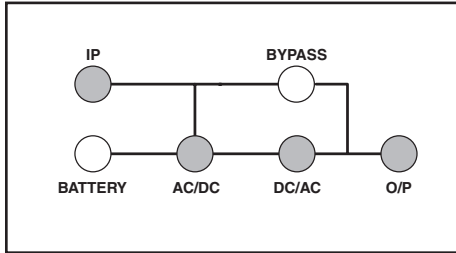




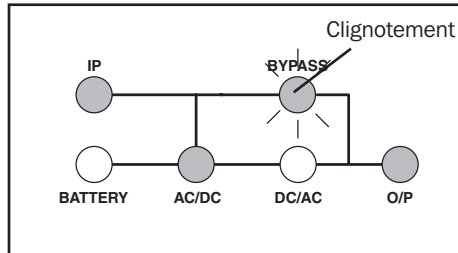
# Utilisation

## Informations sur l'affichage DEL

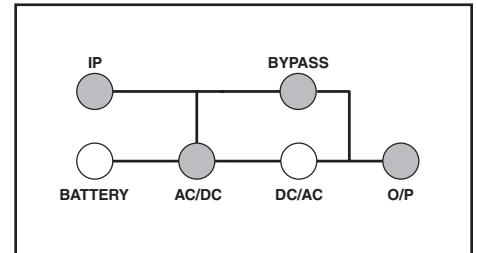
**Mode EN LIGNE :** tension d'entrée CA, plage normale : 156-280V.



**Mode dérivation :** tension d'entrée CA, plage de : -20 à +15% de la tension nominale ; mode dérivation activé.

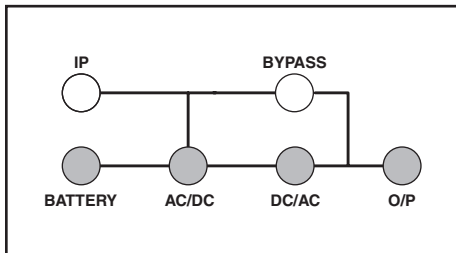


**Mode économie d'énergie :** tension d'entrée CA, plage entre -10 et +10% de la tension nominale ; mode économie d'énergie activé.

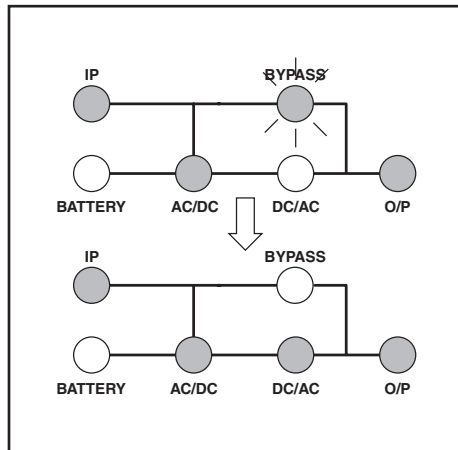


### Mode démarrage à froid/batterie :

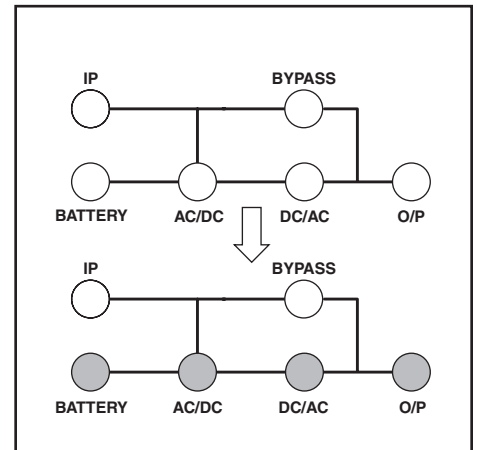
Lorsqu'en mode batterie, vous verrez l'affichage DEL suivant :



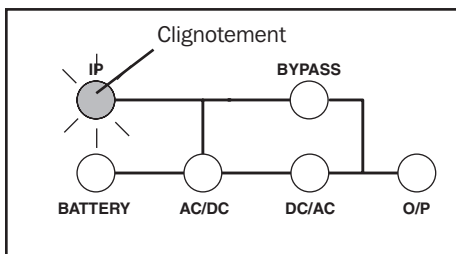
**Démarrage en courant CA :** en démarrant en courant CA, voici la séquence DEL que vous obtiendrez :



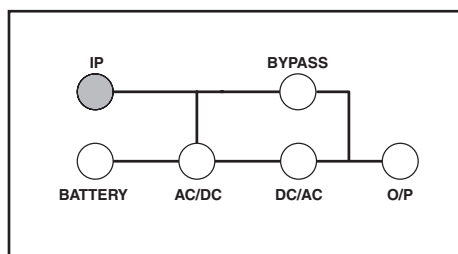
**Démarrage à froid :** en démarrant à froid, voici la séquence DEL que vous obtiendrez :



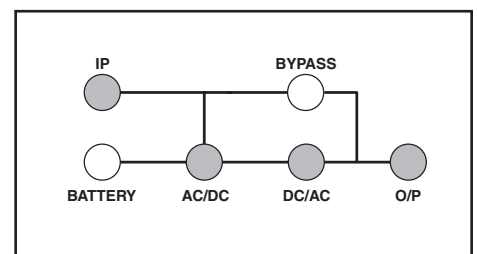
**Arrêt d'urgence (Mode conversion de fréquence) :** avec un arrêt d'urgence sans alimentation en sortie, voici la séquence DEL que vous obtiendrez :



**Arrêt d'urgence (Mode CA) :** avec un arrêt d'urgence avec alimentation, voici la séquence DEL que vous obtiendrez :

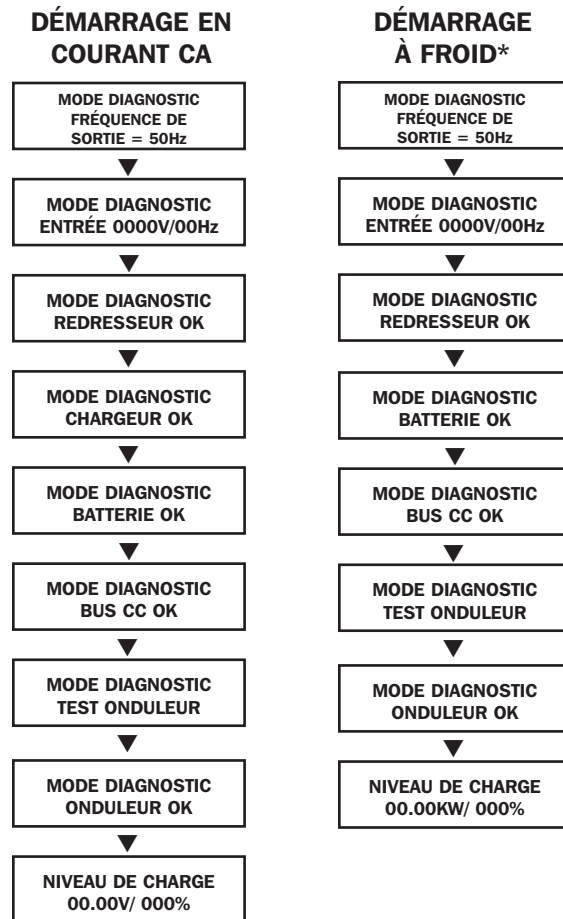


**En mode indépendant batterie :** En mode indépendant batterie, le même ordre DEL que celui du mode EN LIGNE s'affichera, mais une « alarme de mauvaise batterie » se fera entendre.



## Autovérification de démarrage

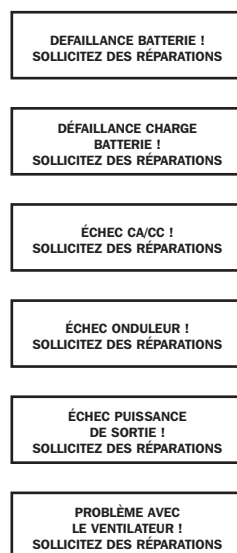
Lorsque vous mettez l'UPS sur ON, il entrera en Mode diagnostic et effectuera une brève autovérification d'environ 15 secondes. Les résultats de l'autovérification sont indiqués sur l'écran LCD dans la séquence ci-dessous.



\*Remarque : si l'UPS est démarré à froid, sa DEL de BATTERIE s'allumera.

## Échec de l'autovérification

En cas de problème au cours de l'autovérification, l'écran LCD affichera un message d'erreur. Si votre UPS affiche l'un des messages suivants sur le LCD, rendez-vous sur le site web de Tripp Lite [www.tripplite.com/support](http://www.tripplite.com/support).



## Fonctionnement normal

Pendant le fonctionnement normal, la première ligne de votre écran LCD dans quel mode d'opération se trouve votre UPS : Mode Secteur, Mode Economie, Mode Conversion de fréquence, Mode Batterie, Mode Dérivation ou Mode Parallèle (modèle de 12kVA uniquement).

**Mode en ligne :** l'UPS fournit un courant CA tant que le courant de service est disponible et bascule en mode Batterie instantanément (temps de transfert nul) si le courant CA est interrompu.

**Mode économie :** l'UPS fournit un courant CA à haut rendement tant que le courant de service est compris dans +/- 10 % de la tension nominale d'entrée CA et bascule en mode Batterie (temps de transfert nul) si le courant CA est interrompu.

**Mode de conversion de fréquence :** utilisé pour convertir la tension d'entrée de votre UPS en une tension de sortie différente (ex. : Entrée 60 Hz vers 50 Hz en sortie. Remarque : la sortie s'éteindra en mode de conversion de fréquence si l'unité est réglée en mode dérivation).

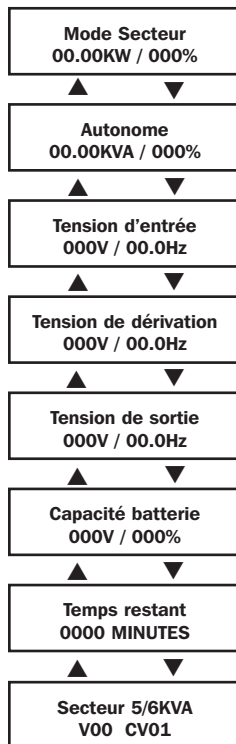
**Mode batterie :** l'UPS fournit un courant CA à partir de la batterie de secours tant qu'elle est chargée. Elle bascule à nouveau vers le mode en ligne ou économie d'énergie si le courant de service est disponible et s'éteint si elle est déchargée.

**Mode dérivation :** l'UPS fournit un courant CA tant que le courant de service est disponible. L'UPS s'éteint dès que le courant CA est interrompu.

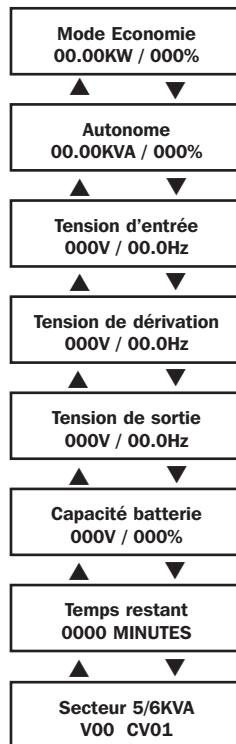
**Mode parallèle (modèle SU12KRT4UHW uniquement) :** l'UPS peut fournir une surtension maximale de 6kVA ou s'alimenter jusqu'à 12kVA. Se reporter au manuel fourni avec l'ensemble PDU parallèle pour plus de renseignements.

La seconde ligne de l'écran LCD affiche les paramètres du courant de base. Appuyez sur les boutons « SCROLL » pour faire défiler ces paramètres dans l'ordre indiqué ci-dessous :

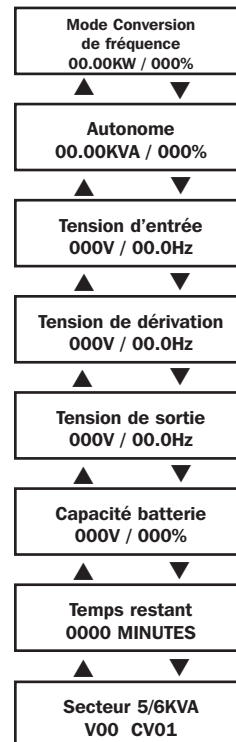
### Afficher informations Mode Secteur :



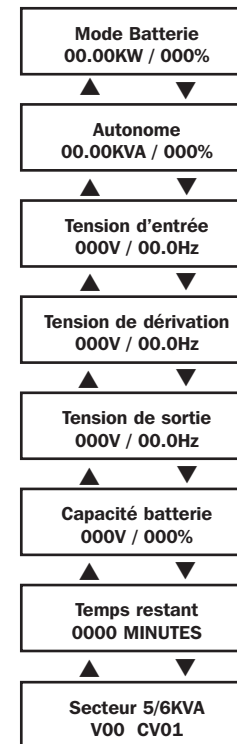
### Afficher informations Mode Economie :



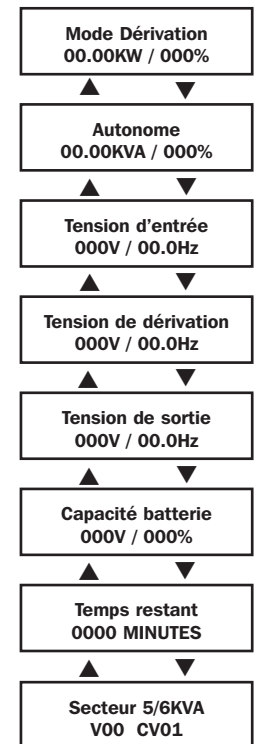
### Afficher informations Mode Conversion de fréquence :



### Afficher informations Mode Batterie :

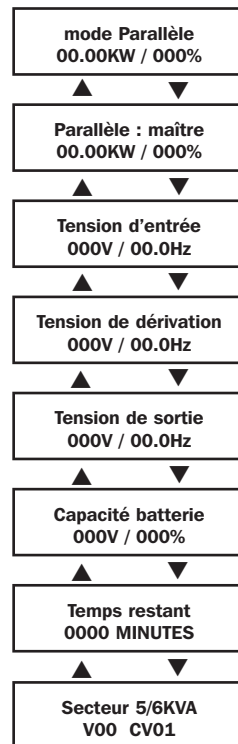


### Afficher informations Mode Dérivation :



## Fonctionnement normal

### Afficher informations mode parallèle (modèle de 6kVA uniquement) :



Remarque : Lorsque deux unités sont connectées en parallèle, l'« UPS Maître » affichera « Parallèle : Maître » dans ce second écran. L'affichage sur le « Second UPS » affichera « Parallèle : Esclave ». Si les deux unités ne sont pas correctement connectées en parallèle, les deux unités afficheront « Autonome » dans ce second écran.

## Menu de configuration de l'UPS

Appuyez sur les boutons « UP » et « DOWN » simultanément pendant 3 secondes jusqu'à ce que le « SETUP MENU » (menu de configuration) s'affiche comme indiqué ci-dessous :



Appuyez sur le bouton « UP » pour entrer dans le Mode configuration.

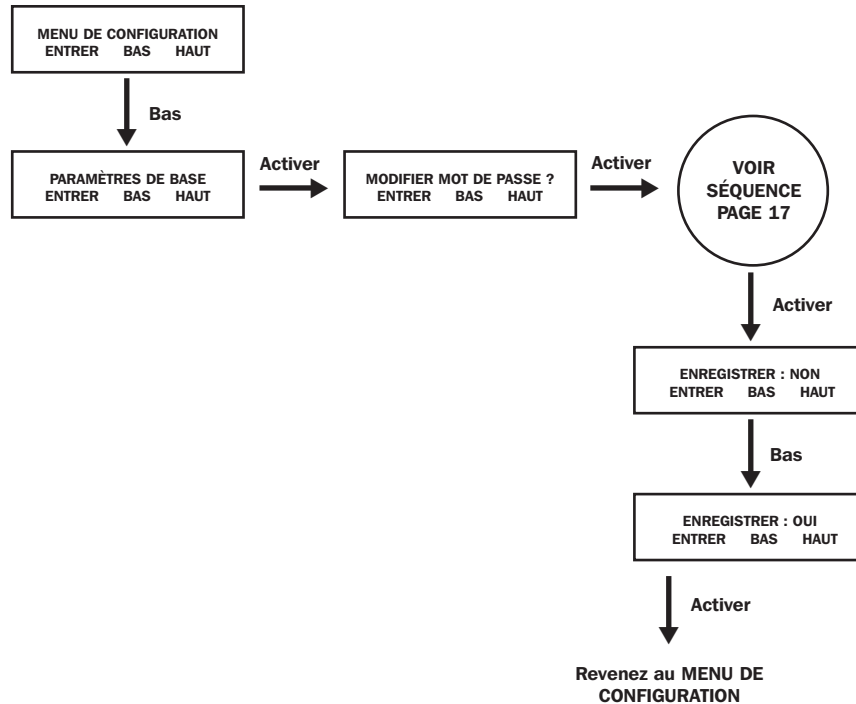
Pour y accéder, vous devrez saisir un mot de passe.



Lorsque vous appuyez sur les boutons « UP » et « DOWN » (0-9), les chiffres augmenteront ou diminueront de 1. Faites défiler pour sélectionner le premier numéro, puis appuyez sur le bouton « ON ». Ceci mémorisera le premier chiffre et vous emmènera à la séquence suivante. Votre mot de passe doit être compris dans la plage 0000-9999 et doit être modifié par l'administrateur. Le mot de passe PAR DÉFAUT est 1234.

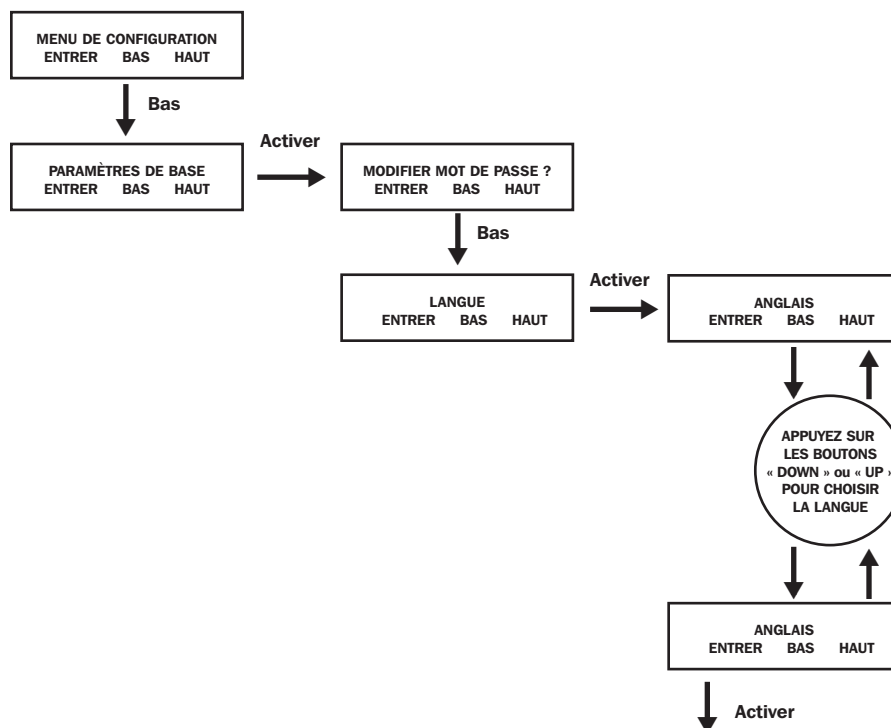
## Modifier le mot de passe

Pour modifier le mot de passe, faites défiler vers le bas (bouton « DOWN ») sur l'écran « SETUP MENU » (menu de configuration) vers l'écran « BASIS SETTING » (paramètres de base). À partir de là, appuyez sur « ON » pour arriver sur l'écran « CHANGE PASSWORD » (modifier le mot de passe). Sur cet écran, appuyez sur « ON » et suivez les étapes décrites précédemment pour créer votre mot de passe. Lorsque vous avez terminé, appuyez sur « ON » pour passer à l'écran « SAVING » (enregistrer). Faites défiler vers le bas (bouton « DOWN ») jusqu'à l'écran « SAVING:YES » et appuyez sur « ON » pour enregistrer. À l'aide du bouton « UP », revenez au « SETUP MENU » (menu de configuration).



## Sélectionner la langue

Pour sélectionner la langue, appuyez sur le bouton « DOWN » pour descendre jusqu'à l'écran « BASIS SETTING » (paramètres de base). Appuyez sur « ON » pour voir l'écran « CHANGE PASSWORD » (modifier mot de passe) et descendez jusqu'à l'écran « LANGUAGE » (langue). Ensuite, appuyez sur « ON ». Vous pouvez ensuite parcourir les différentes options de langue à l'aide des boutons « DOWN » et « UP » et choisir celle qui vous convient. Appuyez sur « ON » pour enregistrer votre sélection.

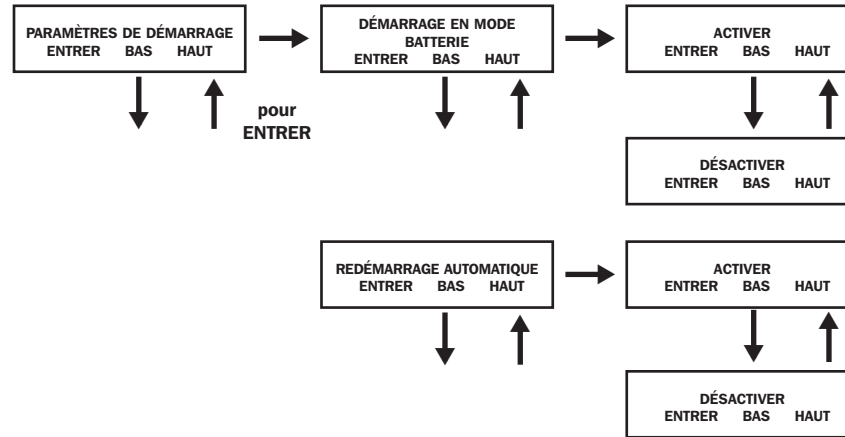


## Paramètres de démarrage

L'UPS peut démarrer en utilisant la batterie sans avoir recours au courant CA. L'option par DEFAULT est « ENABLE » (activé). Lorsque l'UPS passe sur la batterie, il peut effectuer un REDÉMARRAGE AUTOMATIQUE pour fonctionner en mode à double conversion dès que le courant CA est rétabli. L'option par DEFAULT est « ENABLE » (activé).

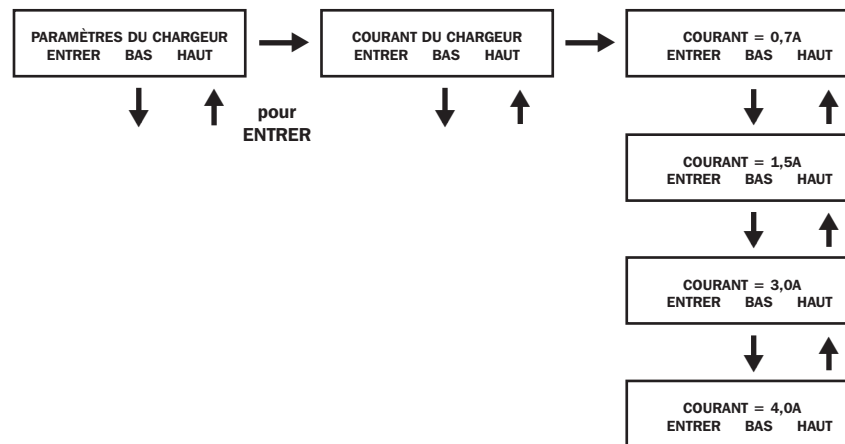
À partir de l'écran « SETUP MENU » (menu de configuration), descendez à l'aide du bouton « DOWN » jusqu'à l'écran « START SETTING » (paramètres de démarrage). Ensuite, appuyez sur le bouton « ON » pour atteindre l'écran « BATTERY START » (démarrage en mode batterie). Appuyez ensuite sur « ON » pour voir l'écran « ENABLE » (activer) et appuyez sur « DOWN » pour passer à l'écran « DISABLE » (désactiver) ; appuyez sur « ON » pour désactiver cette fonction.

Sur l'écran « BATTERY START » (démarrage en mode batterie), appuyez sur le bouton « DOWN » pour atteindre l'écran « AUTO RESTART » (redémarrage automatique). En appuyant sur « ON », vous arriverez à l'écran « ENABLE » (activer) ; appuyez sur « ON » pour ACTIVER. Appuyez sur « DOWN » pour arriver à l'écran « DISABLE » (désactiver). Appuyez sur « ON » pour désactiver cette fonction.



## Paramètres du chargeur

Sur l'écran « SETUP MENU » (menu de configuration), appuyez sur « DOWN » jusqu'à ce que vous voyez « CHARGER SETTING » (paramètres du chargeur). Appuyez ensuite sur « ON » pour atteindre l'écran « CHARGER CURRENT » (courant du chargeur). Appuyez à nouveau sur « ON ». Vous pouvez ensuite utiliser les boutons « DOWN » et « UP » pour sélectionner les valeurs de courant entre 0,7 et 4,0 A. Appuyez sur « ON » pour enregistrer la valeur que vous avez choisie. La sélection PAR DEFAULT est 0,7 A.



Utilisez le tableau suivant comme guide pour les réglages du chargeur selon le nombre de blocs de batteries que vous utilisez.

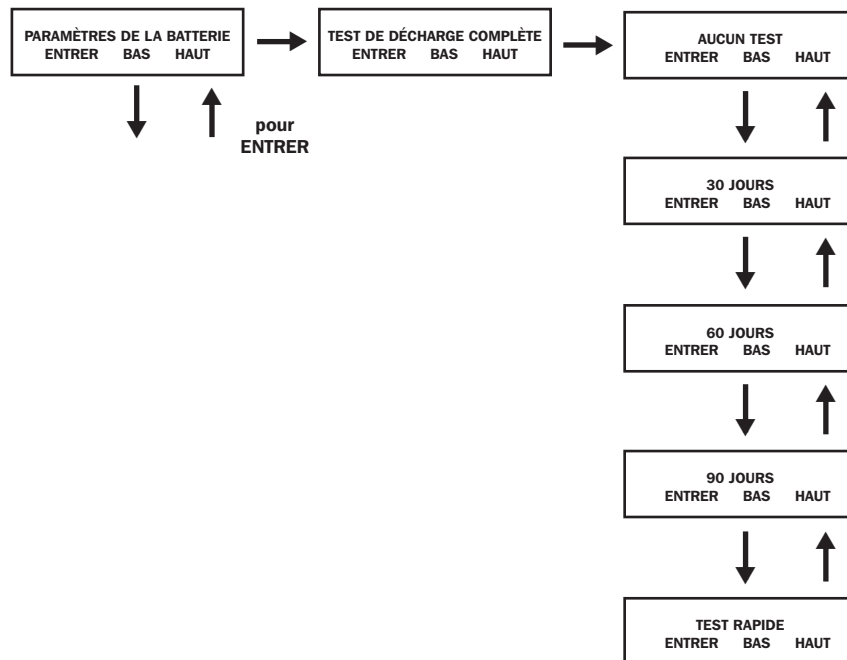
Réglage courant de la charge de l'ASC pour les modèles 5 / 6 kVA				
Bloc de batteries interne + blocs de batteries externes	1	2	3-6	7 ou plus
Réglage courant de la charge	0.7A	1.5A	3.0A	4.0A

### Réglage courant de la charge de l'ASC pour le modèle 12 kVA

Utilisez les mêmes réglages de courant du chargeur que pour les modèles 5 / 6 kVA pour chaque bloc de puissance du SU12KRT4UHW. Le nombre de blocs de batteries externes connectés doit être égal sur chaque bloc de puissance du SU12KRT4UHW.

## Paramètres de la batterie

**Test de décharge complète :** Utilisé pour déterminer la durée des tests de décharge complète. Sur l'écran « SETUP MENU » (menu de configuration), appuyez sur « DOWN » jusqu'à ce que vous voyiez l'écran « BATTERY SETTING » (paramètres de la batterie). Appuyez sur « ON » pour atteindre « BATTERY LOW ALARM » (alerte de batterie faible) et appuyez sur « DOWN » jusqu'à ce que vous voyiez l'écran « DISCHARGE TEST » (test de décharge complète). Appuyez alors sur ON. Vous pouvez maintenant appuyer sur « DOWN » ou « UP » pour choisir entre NO TEST (aucun test), 30, 60 et 90 jours. Lorsque vous avez trouvé la durée qui vous convient, appuyez sur « ON » pour enregistrer votre sélection. La valeur par DÉFAUT est « NO TEST » (aucun test).

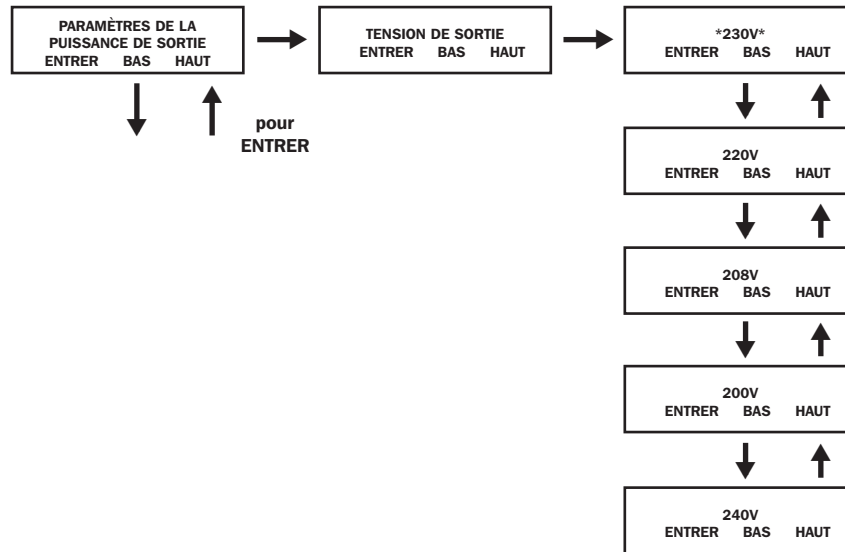


## Paramètres de la puissance de sortie

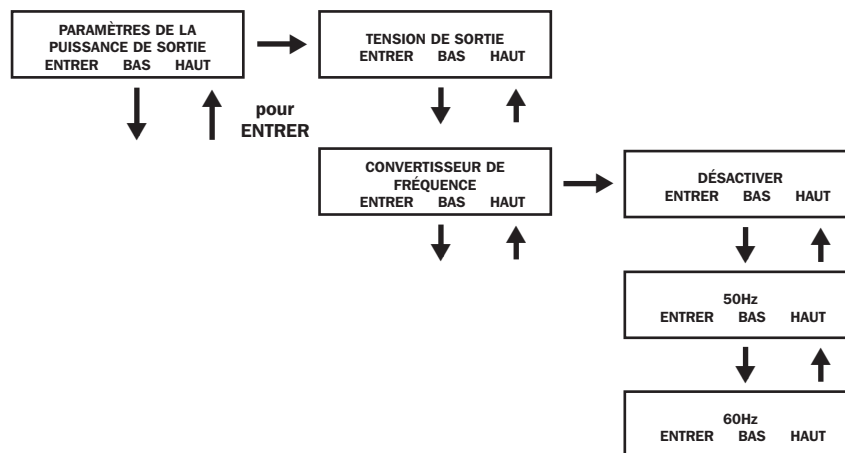
**Remarque :** pour modifier les paramètres de la puissance de sortie, vous aurez besoin du cycle électrique de l'UPS.

**Tension de sortie :** Pour déterminer la valeur nominale de la tension de sortie de l'UPS. Sur l'écran « SETUP MENU » (menu de configuration), appuyez sur « DOWN » jusqu'à ce que vous voyiez l'écran « OUTPUT SETTING » (paramètres de la puissance de sortie). Appuyez sur « ON » pour atteindre l'écran « OUTPUT VOLTAGE » (tension de sortie) et appuyez à nouveau sur « ON ». Vous pouvez alors appuyer sur les boutons « DOWN » ou « UP » pour choisir entre les 5 valeurs de tension : 200/208/220/230/240V. Appuyez sur « ON » pour enregistrer votre sélection.

Valeur par DEFAULT : 208V.



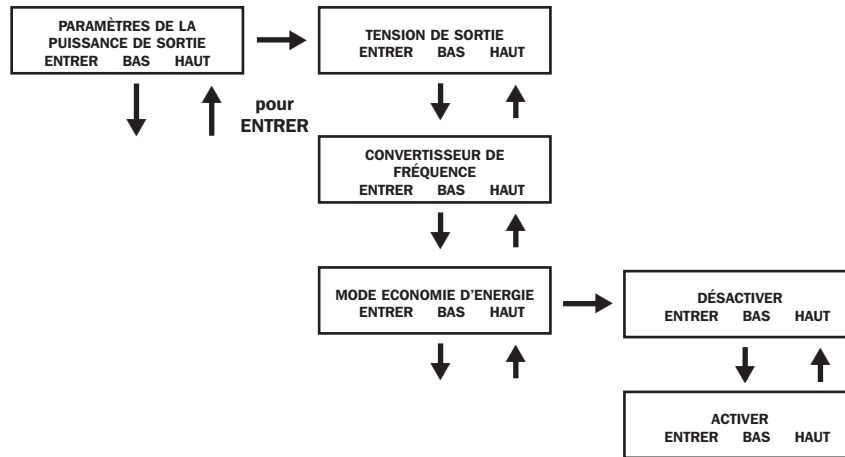
**Convertisseur de fréquence :** Utilisé pour paramétrer le Mode convertisseur de fréquence. Sur l'écran « SETUP MENU » (menu de configuration), appuyez sur « DOWN » jusqu'à ce que vous voyiez l'écran « OUTPUT SETTING » (paramètres de la puissance de sortie). Appuyez sur « ENTER » (entrer) pour voir apparaître l'écran « OUTPUT VOLTAGE » (tension de sortie) et sur « DOWN » pour accéder à l'écran « FREQ CONVERTER » (convertisseur de fréquence). Appuyez sur « ON ». A l'aide des boutons « DOWN » et « UP », choisissez entre DISABLE (désactiver), 50 et 60 Hz. Appuyez sur « ON » pour enregistrer votre sélection. Lorsque vous êtes sur « DISABLE », l'UPS détectera automatiquement la fréquence d'entrée et sélectionnera 50 ou 60 Hz en conséquence. La sélection par DEFAULT est « DISABLE » (désactivé).



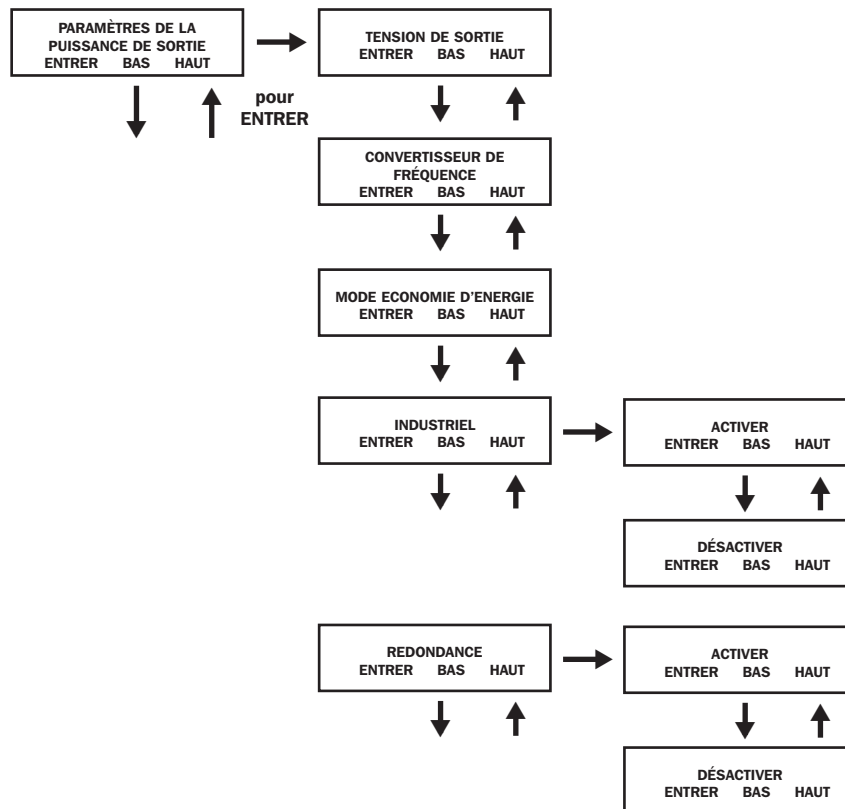


## Paramètres de la puissance de sortie

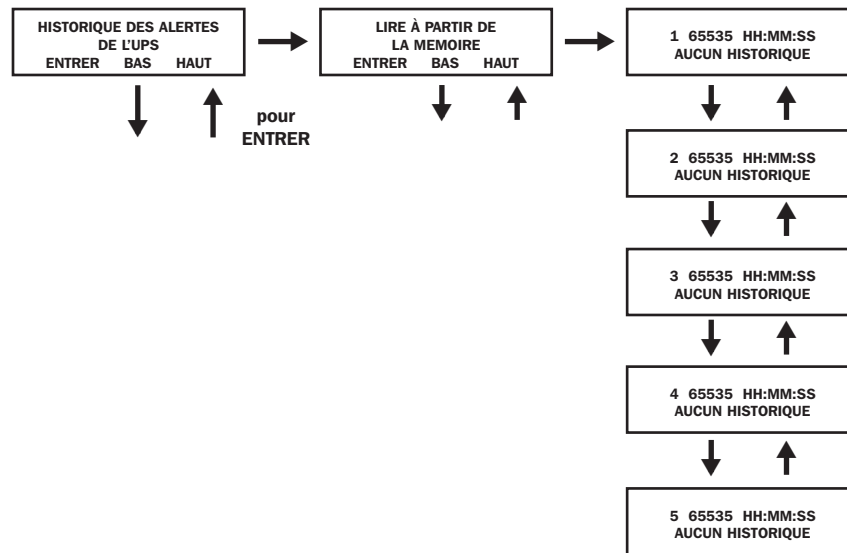
**Mode ECONOMIE D'ENERGIE :** Utilisé pour déterminer la capacité de l'UPS à travailler en mode économie d'énergie. Lorsque la tension d'entrée est comprise plus ou moins dans une tranche de 10 % de la valeur nominale globale, l'UPS basculera en Mode économie d'énergie pour améliorer l'efficacité de l'UPS. Sur l'écran « SETUP MENU » (menu de configuration), appuyez sur « DOWN » jusqu'à ce que vous voyez l'écran « OUTPUT SETTING » (paramètres de la puissance de sortie). Appuyez ensuite sur « ON » pour obtenir l'écran « OUTPUT VOLTAGE » (tension de sortie), puis sur « DOWN » en passant par l'écran « FREQ CONVERTER » (convertisseur de fréquence) jusqu'à l'écran « ECO MODE » (mode économie d'énergie). Appuyez ensuite sur « ON » et, à l'aide des boutons « DOWN » et « UP », choisissez entre « DISABLE » (désactiver) et « ENABLE » (activer). Appuyez sur « ON » pour enregistrer votre sélection. Les paramètres par DEFAULT sont sur « DISABLE ».



**Industriel :** Utilisé pour déterminer la protection contre les surtensions de l'UPS. Si vous l'activez et que vous recevez un courant CA dont la tension et la fréquence d'entrée sont comprises dans une plage normale, l'UPS fonctionnera en mode en ligne. Si l'UPS détecte une fluctuation de la tension de sortie de plus de 5 ms, l'UPS basculera en Mode dérivation, pour retourner au Mode en ligne lorsque la puissance de sortie est rétablie. Sur l'écran « STARTUP MENU » (menu démarrage), appuyez sur « DOWN » jusqu'à ce que vous obteniez l'écran « OUTPUT SETTING » (paramètres de la puissance de sortie). Appuyez ensuite sur « ON » pour arriver à l'écran « OUTPUT VOLTAGE » (tension de sortie), puis sur « DOWN » jusqu'à ce que vous voyiez l'écran « INDUSTRIAL ». Appuyez alors sur « ON » et, à l'aide des boutons « DOWN » ou « UP » ; vous pouvez maintenant ACTIVER OU DESACTIVER. Appuyez sur « ON » pour enregistrer votre sélection. La valeur par DEFAULT est « DISABLE » (désactivé). Lorsque vous êtes sur l'écran « INDUSTRIAL », appuyez sur « DOWN » pour arriver sur l'écran « REDUNDANCY » (redondance). Ensuite, appuyez sur « ON ». Puis, à l'aide des boutons « DOWN » et « UP », choisissez soit « ENABLE » (activé) soit « DISABLE » (désactivé). La valeur par DEFAULT est « DISABLE » (désactivé).



## Historique des alertes de l'UPS

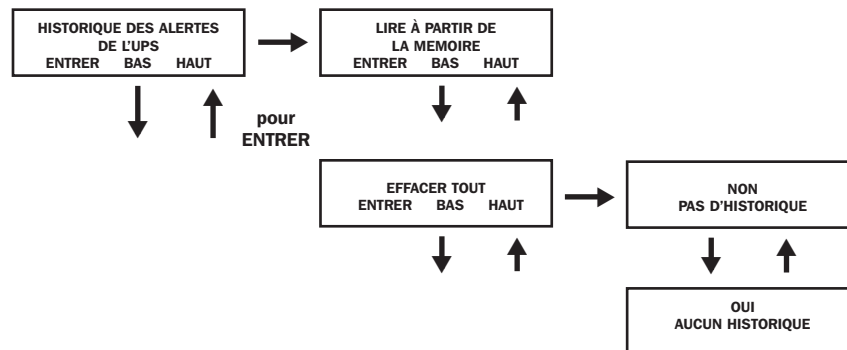


**Lire à partir de la mémoire :** Enregistre les 5 dernières défaillances de la mémoire EEPROM. Voir la liste des défaillances ci-dessous :

Liste des défaillances		
ECHEC BUS CC	ECHEC BATTERIE DU CHARGEUR	ECHEC PROTECTION CONTRE LES SURTENSIONS BUS CC
COURT-CIRCUIT	ECHEC SCR DERIVATION	ECHEC RELAIS FUSIBLE POUR HAUTE TENSION D'ENTREE EN POSITION COURTE
ECHEC DE L'ONDULATEUR	ECHEC SCR D'ENTREE EN POSITION COURTE	ECHEC RELAIS FUSIBLE POUR HAUTE TENSION D'ENTREE EN POSITION OUVERTE
SURCHAUFFE	ECONOMIE D'ENERGIE	ECHEC CTN EN POSITION OUVERTE
ECHEC SCR DE SORTIE	PUISSANCE DE SORTIE SOUS TENSION	ECHEC BASSE TEMP
SURCHARGE	ECHEC FUSIBLE D'ENTREE	
PROBLEME AVEC LE VENTILATEUR	ECHEC FUSIBLE DE SORTIE	

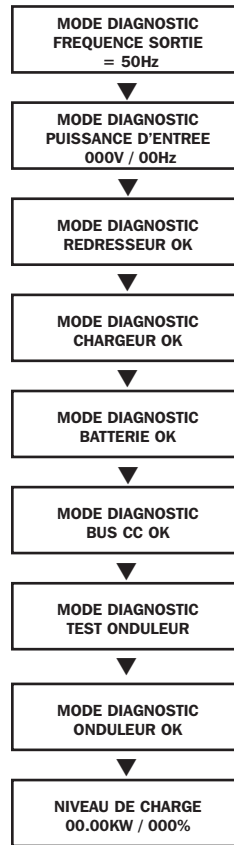
Sur l'écran « SETUP MENU » (menu de configuration), appuyez sur « DOWN » jusqu'à ce que vous arriviez à l'écran « UPS ALARM LOG » (historique des alertes de l'UPS). Appuyez alors sur « ON » pour entrer dans « READ FROM MEMORY » (lire à partir de la mémoire) et appuyez à nouveau sur « ON ». À l'aide des boutons « DOWN » et « UP », vous pouvez afficher les 5 dernières défaillances. Appuyez sur « ON » pour quitter le menu.

**Effacer tout :** Sert à effacer l'historique des défaillances. Sur « STARTUP MENU » (menu de démarrage), appuyez sur « DOWN » jusqu'à ce que vous arriviez sur l'écran « UPS ALARM LOG » (historique des alertes de l'UPS). Puis appuyez sur « ON » pour obtenir l'écran « READ FROM MEMORY » (lire à partir de la mémoire) et appuyez sur « DOWN » pour atteindre l'écran « ERASE ALL » (effacer tout). Appuyez ensuite sur « DOWN » ou « UP » pour choisir entre Oui et Non. Appuyez sur « ON » pour enregistrer votre sélection. Un écran « SURE? » apparaîtra ; appuyez sur « ON » pour confirmer ou faites défiler pour voir les autres options.

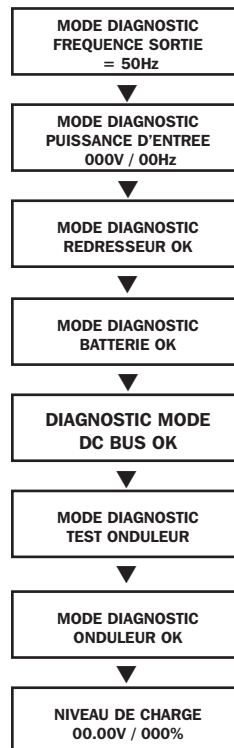


## Informations relatives à l'autodiagnostic

Lorsque vous démarrez avec un courant CA, vous verrez apparaître la séquence suivante :



Lorsque vous démarrez en utilisant l'alimentation de la batterie, vous verrez apparaître la séquence suivante :



## Messages d'arrêt de l'UPS pour défaillance

CONDITION	MESSAGES DE L'AFFICHAGE LCD
+BUS >450V	+ ARRET EN CAS DE TENSION TROP ELEVEE DU BUS CC
Charge <100%: +BUS < 320V; Charge >100%: +BUS <290V	+ ARRET EN CAS DE TENSION TROP BASSE DU BUS CC
-BUS >450V	- ARRET EN CAS DE TENSION TROP ELEVEE DU BUS CC
Charge <100%: -BUS <320V; Charge >100%: -BUS <290V	- ARRET EN CAS DE TENSION TROP BASSE DU BUS CC
Tension du BUS supérieure à 500	ARRET EN CAS DE DEFAILLANCE DE PROTECTION CONTRE LES SURTENSIONS DU BUS
Puissance de sortie en position courte	ARRET EN CAS DE PUISSANCE DE SORTIE EN POSITION COURTE
Surchauffe de l'UPS	ARRET EN CAS DE SURCHAUFFE
Défaillance en position ouverte du SCR (redresseur commandé au silicium) de sortie	ARRET EN CAS DE DEFAILLANCE DU SCR DE SORTIE
Surcharge de la puissance de sortie	ARRET EN CAS DE SURCHARGE
SCR en dérivation en position courte	ARRET EN CAS DE DEFAILLANCE DU SCR EN DERIVATION
Défaillance du Redresseur de SCR d'entrée	ARRET EN CAS DE DEFAILLANCE DU REDRESSEUR
Défaillance de la tension de sortie de l'onduleur	ARRET DE L'ONDULEUR
Fusible d'entrée en position ouverte	ARRET EN CAS DE FUSIBLE I/P GRILLE
Fusible de sortie en position ouverte	ARRET EN CAS DE FUSIBLE O/P GRILLE
Perte de l'ID parallèle	ARRET EN CAS DE DEFAILLANCE PARALLELE

## Alerte batterie

Lorsque vous êtes en mode batterie, le module d'alimentation de l'UPS fera un bip pour vous informer que l'alimentation de la batterie est utilisée pour approvisionner l'équipement raccordé. Si la capacité des batteries raccordées est supérieure à la moitié de son potentiel, l'alarme bipera toutes les deux secondes. Si la capacité des batteries raccordées est inférieure à la moitié de son potentiel, l'alarme bipera à chaque seconde. Si les batteries sont presque épuisées, le module d'alimentation de l'UPS bipera en permanence. Pour éteindre l'alarme de la batterie, appuyez sur le bouton « ON/MUTE ».

## Messages de surcharge

Lorsque l'UPS détecte une surcharge de sortie, vous verrez apparaître sur l'écran LCD :

**SURCHARGE !**  
**CHARGE = XXX% X.XXKW**

L'UPS va mettre un compte à rebours en route. Si l'UPS demeure en surcharge à la fin du compte à rebours, il passera automatiquement en Mode dérivation pour protéger son onduleur. La durée du compte à rebours varie en fonction de la gravité de la surcharge :

Condition de surcharge	Durée du compte à rebours
106% - 125%	1 minute
126% - 150%	30 secondes
>150%	Immédiat

## Messages dérivation

Lorsque vous êtes en Mode dérivation, l'UPS contrôle sa tension d'entrée et transmet cette puissance d'entrée à l'équipement raccordé. L'UPS ne sera pas en mesure de fournir une batterie de secours en Mode dérivation.

Si la tension de sortie dépasse la plage acceptable (entre 15 % supérieure et 20 % inférieure à la valeur nominale), l'UPS affichera les paramètres sur l'écran LCD et cessera d'alimenter la charge. Si le niveau de puissance redevient acceptable, l'UPS réalimentera la charge et l'écran LCD indiquera que la tension de sortie était trop élevée ou trop faible à un moment donné, mais qu'elle est à présent équivalente à la valeur nominale.

PARAMETRES DE LA TENSION DE DERIVATION	MESSAGES DE L'ECRAN LCD
>15% supérieure à la normale	DERIVATION HORS TENSION XXXV / XX.X HZ
>20% inférieure à la normale	DERIVATION HORS TENSION XXXV / XX.X HZ

## Messages d'arrêt

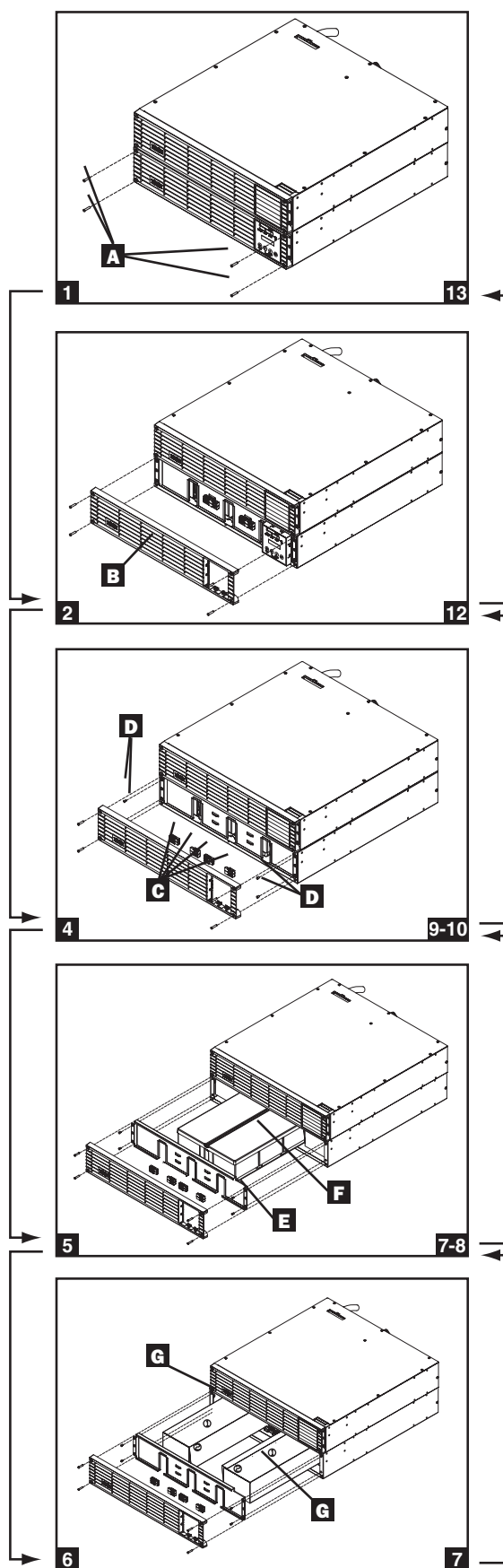
Votre UPS va s'éteindre et l'écran LCD affichera un message s'il détecte l'un des paramètres suivants. Remarque : dans tous les cas, les DEL « Input » (entrée), « Output » (sortie) et « Bypass » (dérivation) seront allumées.

PARAMETRES D'ARRET	MESSAGES DE L'ÉCRAN LCD
Surcharge prolongée	CESSER SURCHARGE XXX%
Court-circuit de sortie	CESSER COURT-CIRCUIT O/P
Court-circuit du SCR en dérivation	ARRET EN CAS DE DE-FAILLANCE DU SCR EN DERIVATION
Défaillance du Redresseur de SCR d'entrée	ARRET EN CAS DE DE-FAILLANCE DU REDRESSEUR DE SCR
Court-circuit de sortie de l'onduleur	ARRET EN CAS DE DE-FAILLANCE DE L'ONDULEUR
Défaillances de SCR de sortie	ARRET EN CAS DE DE-FAILLANCE DE SCR DE SORTIE
Ouverture du fusible d'entrée	ARRET EN CAS DE FUSIBLE I/P GRILLE
Ouverture du fusible de sortie	ARRET EN CAS DE FUSIBLE O/P GRILLE
Câble parallèle Défaillance du raccord	ARRET EN CAS DE DE-FAILLANCE PARALLELE
Défaillances internes	ARRET + BUS CC TROP ELEVEE
	ARRET + BUS CC TROP FAIBLE
	ARRET - BUS CC TROP ELEVEE
	ARRET - BUS CC TROP FAIBLE
	ARRET ECHec PROTECTION CONTRE LES SURTENSIONS BUS CC
	ARRET SURCHAUFFE

## Remplacement des batteries internes

En mode de fonctionnement normal, les batteries d'origine de votre UPS dureront de nombreuses années. Consultez la section « Sécurité » avant d'effectuer le remplacement des batteries. Elles sont conçues pour un remplacement « à chaud » (c'est-à-dire que vous pouvez laisser votre UPS allumé) mais il se peut qu'un technicien qualifié désire éteindre complètement l'UPS (OFF) et débrancher l'équipement avant de commencer. Il est suggéré que vous enleviez les batteries avant de procéder à l'installation.

- 1 Retirez les vis A qui fixent le cadre.**
- 2 Séparez le cadre B du panneau avant.**
- 3 Enlever les couvercles à pression du connecteur de la batterie. Conservez ces couvercles afin de les réutiliser.**
- 4 Débranchez les connecteurs de batteries C et retirez les vis D qui fixent les équerres de fixation.**
- 5 Retirez les équerres de fixation E et retirez le bloc de batterie du milieu F (ou recyclez-le).**
- 6 Retirez les blocs de batterie des côtés G (ou recyclez-le).**
- 7 Remplacez les blocs de batteries F et G.**
- 8 Remettez en place les équerres de fixation E.**
- 9 Resserrez les vis D pour fixer les équerres de fixation.**
- 10 Branchez les connecteurs de batteries C. Fixez-les noir sur noir, rouge sur rouge et blanc sur blanc.**
- 11 Réinstaller les couvercles à pression du connecteur de la batterie.**
- 12 Refixez le cadre avant B.**
- 13 Resserrez les vis A pour fixer le cadre.**



## Stockage et réparations

### Stockage

Avant de stocker votre UPS, éteignez-le complètement. Si vous stockez votre UPS pendant une période prolongée, rechargez les batteries de l'UPS pendant 4 à 6 heures une fois tous les trois mois. Remarque : lorsque vous raccordez l'UPS à un courant de service, il commencera automatiquement à charger les batteries. Si vous laissez les batteries de votre UPS déchargées pendant une période prolongée, elles perdront leur capacité de manière permanente.

### Réparations

Votre produit Tripp Lite est couvert par la garantie décrite dans le présent manuel. Tripp Lite propose également un éventail de formules de garanties prolongées et de programmes de réparation sur place. Pour plus d'informations sur les réparations possibles, rendez-vous sur [www.tripplite.com/support](http://www.tripplite.com/support). Avant de renvoyer votre produit pour le faire réparer, suivez les démarches suivantes :

1. Revoyez les procédures d'installation et d'utilisation du présent manuel pour vous assurer que le problème n'est pas survenu en raison d'une mauvaise lecture des consignes.
2. Si le problème persiste, inutile de contacter votre revendeur ou de lui renvoyer le produit, adressez-vous directement à Tripp Lite via notre site Internet [www.tripplite.com/support](http://www.tripplite.com/support).
3. Si des réparations sont nécessaires, rendez-vous sur notre site Web à l'adresse [www.tripplite.com/support](http://www.tripplite.com/support) et cliquez sur le lien « Product Returns » (retours produits). Vous pourrez alors faire la demande d'un numéro ARM (formulaire d'Autorisation de retour de marchandises), qui est nécessaire pour effectuer les réparations. Ce formulaire en ligne vous demandera simplement le modèle de votre produit et les numéros de série, ainsi que d'autres renseignements généraux sur l'acheteur. Le numéro ARM vous sera envoyé par e-mail accompagné des consignes de livraison. Toute avarie (directe, indirecte, spéciale ou consécutive) sur le produit encourue durant le transport à destination de Tripp Lite ou d'un centre de réparation autorisé par Tripp Lite n'est pas couverte par la garantie. Les produits envoyés à Tripp Lite ou à un centre de réparation autorisé par Tripp Lite doivent être affranchis à l'avance. Indiquez le numéro ARM sur le colis. Si le produit est renvoyé durant la période de garantie, veuillez joindre une copie de votre reçu. Tout renvoi à des fins de réparation doit être effectué par l'intermédiaire d'un transporteur assuré à l'adresse indiquée selon les consignes de livraison susmentionnées.

## Garantie

### Garantie limitée de 2 ans

Le vendeur de ce produit garantit que ses produits, si utilisés comme le requièrent les instructions applicables, sont dénués de tout défaut de matériaux ou de main d'œuvre pour une période de 2 ans (à l'exception des systèmes de batteries internes de l'UPS hors États-Unis et Canada : 1 an) à compter de la date d'achat initiale. Si le produit s'avérait défectueux en termes de matériaux ou de main d'œuvre, le vendeur réparera ou remplacera (à sa seule et entière discrétion) lesdits produits défectueux ou affectés de défauts de main d'œuvre. Afin de bénéficier de cette garantie, les produits doivent être renvoyés à Tripp Lite (avec tous les frais de transport ou de livraison prépayés) à 1111 W.35th Street ; Chicago IL 60609 ; USA. Le vendeur remboursera les frais de transport. Rendez-vous sur [www.tripplite.com/support](http://www.tripplite.com/support) avant de renvoyer un équipement pour une réparation.

LA PRESENTE GARANTIE NE S'APPLIQUE PAS A L'USURE NORMALE OU AUX DOMMAGES RESULTANT D'ACCIDENTS, DE NEGLIGENCES OU DE MAUVAISES UTILISATIONS. LE VENDEUR N'EXPRIME AUCUNE AUTRE GARANTIE QUE CELLE EXPRESSEMENT DECLAREE ICI. SAUF DISPOSITION EXPRESSE CONTRAIRE PREVUE AUX PRESENTES, TOUTES LES GARANTIES EXPRESSES OU TACITES, NOTAMMENT LES GARANTIES DE QUALITE MARCHANDE ET DE COMPATIBILITE, SONT LIMITEES EN DUREE A LA PERIODE DE GARANTIE DEFINIE CI-AVANT. CETTE GARANTIE EXCLUT TOUT DOMMAGES CONSECUTIF OU ACCESSOIRE (Certains États n'autorisent pas les restrictions de temps sur les garanties et certains autres États ne permettent pas l'exclusion ou la restriction des dommages consécutifs ou accessoires, c'est pourquoi les restrictions ou limitations mentionnées ci-dessus peuvent ne pas s'appliquer à votre cas. Cette garantie vous donne des droits spécifiques juridiques et il se peut que vous ayez d'autres droits variant de jurisprudence en jurisprudence).

Tripp Lite; 1111 W.35th Street; Chicago IL 60609 ; USA

AVERTISSEMENT : l'utilisateur privé doit prendre soin de déterminer avant d'utiliser cet appareil s'il est bien adapté, approprié ou sécurisé pour l'utilisation prescrite. Étant donné que les conditions d'utilisation peuvent différer considérablement entre les utilisateurs, le fabricant n'émet aucune garantie ou déclaration à l'égard de l'adéquation et la pertinence de ces appareils dans lesdites conditions.

#### Conformité réglementaire pour les numéros de série

À des fins de conformité réglementaire en matière de certification et d'identification, votre produit Tripp Lite a été doté d'un numéro de série unique. Les numéros de série se trouvent sur la plaque de l'appareil avec l'ensemble des indications et informations approuvées. Si on vous demande des informations concernant la conformité de ce produit, reportez-vous dans tous les cas au numéro de série. Le numéro de série ne doit pas être confondu avec le nom de la marque ou le numéro de modèle du produit.

#### Informations de conformité avec la Directive des déchets d'équipement électrique et électronique (WEEE) pour les clients Tripp Lite et les structures de recyclage (Union Européenne)

Dans le cadre de la directive sur les déchets d'équipement électrique et électronique (WEEE) ainsi que la réglementation en vigueur lorsque les consommateurs achètent un équipement électronique et électrique neuf chez Tripp Lite, ils sont dans l'obligation de :

- renvoyer leur ancien équipement au recyclage, sur la base d'un échange (cela dépendra du pays)
- renvoyer l'équipement neuf au recyclage une fois qu'il aura atteint la fin de sa durée de vie

Tripp Lite suit une politique d'amélioration constante. Les spécifications du produit sont susceptibles d'être modifiées sans préavis.



1111 W. 35th Street, Chicago, IL 60609 USA • [www.tripplite.com/support](http://www.tripplite.com/support)

201207113 • 933070-FR Rev C

# Руководство по эксплуатации

## Интеллектуальные интерактивные системы ИБП SmartOnline™ однофазные 5 кВА-6 кВА (в стоечном/вертикальном исполнении)

- В комплект поставки входит система ИБП с внутренней батареей (5 и 6 кВА), съемный блок распределения питания PDU и съемный модуль параллельных блоков PDU (6 кВА)
  - Возможен монтаж в стойку и вертикально

*Не пригодно для мобильных приложений.*

<b>Основные правила техники безопасности</b>	<b>89</b>
<b>Установка</b>	<b>90</b>
<b>Компоненты системы</b>	<b>91</b>
<b>Подключение</b>	<b>96</b>
<b>Дополнительные подключения</b>	<b>99</b>
<b>Ручное переключение на работу в обход</b>	<b>97</b>
<b>Эксплуатация</b>	<b>102</b>
<b>Замена внутренней батареи</b>	<b>115</b>
<b>Хранение и обслуживание</b>	<b>116</b>
<b>Гарантийные обязательства</b>	<b>116</b>
<b>English</b>	<b>1</b>
<b>Español</b>	<b>29</b>
<b>Français</b>	<b>57</b>



1111 W. 35th Street, Chicago, IL 60609 USA • [www.tripplite.com/support](http://www.tripplite.com/support)

Copyright © 2012 Tripp Lite. Все права защищены. SmartOnline является торговой маркой компании Tripp Lite.





СОХРАНИТЕ ЭТИ ИНСТРУКЦИИ. Настоящее руководство содержит меры предосторожности и правила техники безопасности, подлежащие выполнению при монтаже и обслуживании этого продукта.

### Правила безопасности при выборе места установки ИБП

- ИБП должен устанавливаться в конструктивно надежном месте. ИБП имеет очень большую массу; соблюдайте осторожность при перемещении и подъеме устройства.
- Эксплуатация ИБП разрешается только в помещениях с температурой от 0 до 40°C. Лучше всего, если температура будет поддерживаться в пределах от 17 до 29°C.
- Нужно обеспечить свободное пространство вокруг ИБП, достаточное для нормальной вентиляции.
- Не устанавливать ИБП в непосредственной близости от магнитных устройств хранения, поскольку это может привести к порче данных.
- Нельзя устанавливать прибор лицевой или задней стороной вниз (или под углом). Монтаж таким образом серьезно влияет на условия внутреннего охлаждения и может привести к повреждению продукта, не покрываемого гарантией.

### Правила безопасности при подключении ИБП

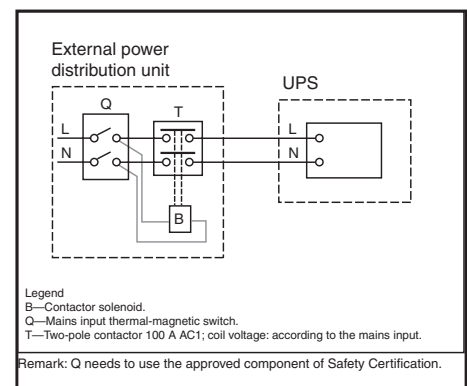
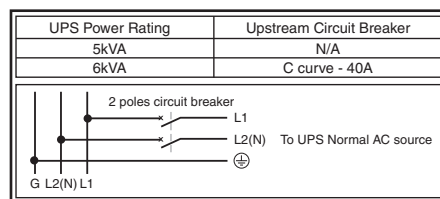
- Перед началом работ с ИБП он должен быть отключен.
- Источник электропитания для этого устройства должен быть однофазный, а его номинал согласуется с данными на заводской табличке оборудования. Он также должен быть соответствующим образом заземлен.

### Правила безопасности при подключении оборудования

- Не рекомендуется использовать это оборудование в приложениях искусственного поддержания жизнедеятельности, где отказ настоящего оборудования может вызвать остановку оборудования поддержания жизнедеятельности или значительно повлиять на его безопасность или эффективность. Не использовать этот прибор в средах, которые содержат легко воспламеняемые смеси обезболивающих составов с воздухом, кислородом или закисью азота.
- Подключить провод заземляющего электрода к клемме заземления силового модуля ИБП.
- ИБП подключен к источнику постоянного тока (батарея). Выходные клеммы могут быть под напряжением, даже когда ИБП не подключен к сети электропитания.

### Необходимые защитные устройства и поперечное сечение кабелей

#### Рекомендуемая защита выходных цепей



### Меры предосторожности при обслуживании

- Силовой модуль и блок(и) батарей ИБП не требуют текущего технического обслуживания. Ни по каким причинам не открывайте их. Изделие не содержит компонент, требующих обслуживания пользователем.

### Правила безопасности при обращении с батареями

- К разъему внешних батарей ИБП можно подключать только блоки батарей производства компании Tripp Lite (правильного типа с нужным напряжением).
- Батареи могут представлять угрозу электрического удара и возгорания от большого тока при коротком замыкании. Следует соблюдать определенные меры предосторожности. Не бросать батареи в огонь. Не открывать ИБП или батареи. Не замыкать и не соединять клеммы батареи никакими предметами. Перед заменой батареи отключать и отсоединять ИБП от сети и нагрузки. Использовать инструмент с изолированными рукоятками. В ИБП не содержатся части, требующие обслуживания пользователем. Замена батарей должна выполняться только уполномоченным специалистом с использованием батарей того же типа и в том же количестве (герметизированная свинцово-кислотная батарея). Батареи подлежат переработке для использования вторичного сырья. Требования по утилизации описаны в местном законодательстве или на сайте [www.tripplite.com/UPSbatteryrecycling](http://www.tripplite.com/UPSbatteryrecycling). Компания Tripp Lite предоставляет полную линейку сменных блоков батарей для систем ИБП. Для поиска конкретной сменной батареи для своего ИБП посетите веб-сайт компании Tripp Lite по адресу [www.tripplite.com/support/battery/index.cfm](http://www.tripplite.com/support/battery/index.cfm).
- Замену предохранителей должен выполнять только уполномоченный производителем персонал. Перегоревшие предохранители нужно заменять предохранителями того же типа и номинала.
- Обслуживание и ремонт должны выполняться только обученным персоналом. Перед началом любых работ по обслуживанию силовых модулей с проводным подключением они должны быть выключены или вручную переведены на обходную цепь через трансформатор. Перед началом любых работ по обслуживанию силовых модулей с подключением к сетевой розетке они должны быть выключены и отсоединены от сети. Обратите внимание, что внутри этого устройства могут существовать потенциально смертельные напряжения все время, когда устройство подключено к батарее.
- Не подключать и не отключать блок(и) батарей во время работы ИБП от батарей, или когда силовой модуль не находится в режиме обходной цепи (если в системе ИБП имеется трансформаторный модуль с переключателем обходной цепи).
- Во время «горячей» замены блока батарей ИБП не сможет обеспечивать работу от батарей в случае отключения электроэнергии.
- Можно подключать только совместимые блоки батарей.

## Монтаж на 4 точки

Монтаж оборудования производится в стойку или шкаф с креплением на 4 или на 2 точки. Пользователь должен самостоятельно определить пригодность принадлежностей и процедур до начала монтажа. Если принадлежности и процедуры не подходят для вашего приложения, за решением нужно обратиться к производителю стойки или стоечного шкафа. Описанные в настоящем руководстве инструкции предназначены для общепринятых типов стоек и стоечных шкафов, поэтому могут не подходить для некоторых типов монтажа.

**1** Входящие в комплект пластмассовые штифты **A** будут временно удерживать направляющие **B** до установки постоянных креплений. Вставить по одному штифту около центра переднего и заднего кронштейна каждой полки, как показано. (Каждый передний кронштейн имеет 6 отверстий, а задний – 3 отверстия.) Штифты защелкнутся на месте.

После установки штифтов выдвинуть каждую полку до совпадения с вертикальными опорами стойки. Штифты пройдут через квадратные отверстия в опорах стойки и примут на себя вес полок. Сравнить метки положения на стойках, чтобы убедиться, что полки выровнены по всем направлениям. Примечание: Несущий выступ каждой полки должен быть обращен внутрь стойки.

**2** Привинтить полки **B** к монтажной направляющей постоянно, как показано, используя винты из комплекта и шайбы **C**.

- Для монтажа оборудования высотой 4U требуется всего 6 винтов спереди и 4 винта сзади.

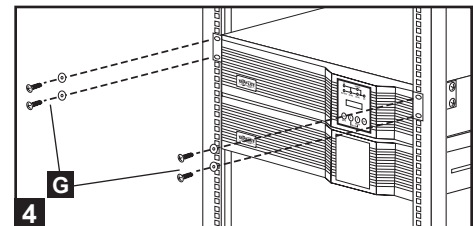
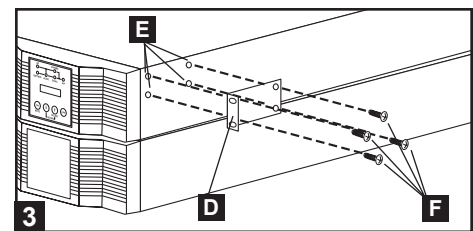
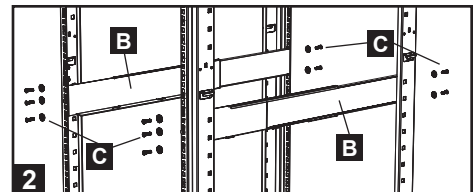
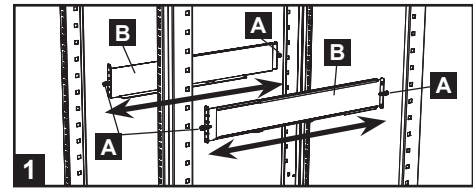
Перед продолжением работы затянуть все винты.

Предупреждение: Не пытайтесь устанавливать оборудование до того, как будут вставлены и затянуты необходимые винты. Пластмассовые штифты не способны выдержать вес оборудования.

**3** Присоединить монтажные проушины **D** к передним монтажным отверстиям вашего оборудования **E**, используя винты **F** из комплекта.

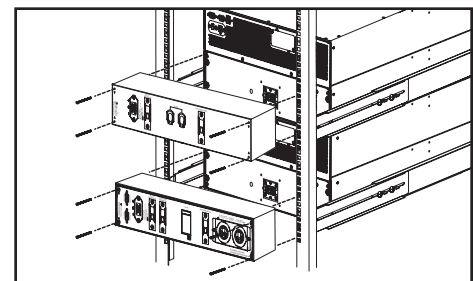
*Примечание: Перед началом установки рекомендуется снять внутренние батареи ИБП. Это приведет к уменьшению массы и обеспечит более безопасное обращение с оборудованием. Инструкции по снятию батарей см. в разделе “Замена внутренних батарей”.*

**4** Вдвоем с помощником поднять оборудование и задвинуть на несущие полки. Привинтить оборудование к стойке с помощью винтов, шайб и гаек **G** (предоставляются пользователем), пропустив винты через монтажные проушины и направляющие стойки. Для каждого компонента оборудования используются отдельные горизонтальные направляющие.



## Конфигурация ИБП 12 кВА - только SU12KRT4UHW (с использованием 2 силовых модулей 6 кВА)

При монтаже SU12KRT4UHW использовать руководство из комплекта поставки параллельного блока PDU.



## Монтаж на 2 точки (опционально)

Для монтажа ИБП 5 кВА или 6 кВА в стойку на 2 точки нужно заказать монтажный комплект Tripp Lite для монтажа на 2 точки (модель 2POSTRMKITWM, приобретается отдельно) для каждого устанавливаемого силового модуля или блока батарей. Полные инструкции по монтажу приведены в руководстве к монтажному комплекту.

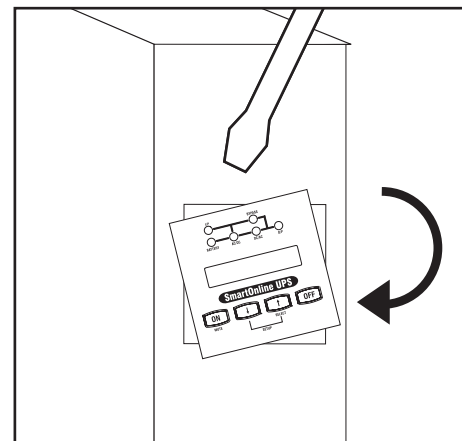
*Примечание: Монтаж на 2 точки не рекомендуется для ИБП 12 кВА.*

## Установка

### Вертикальный монтаж

Для напольного (вертикального) монтажа ИБП требуется приспособление Tripp Lite 2-9USTAND (продаваемое отдельно).

По завершении монтажа поверните панель управления силового модуля на угол, обеспечивающий лучший обзор при нахождении ИБП в вертикальном состоянии. Вставьте небольшую отвертку или аналогичный инструмент в прорезь с любой стороны панели управления. Вытолкните панель, поверните ее и защелкните обратно на свое место.

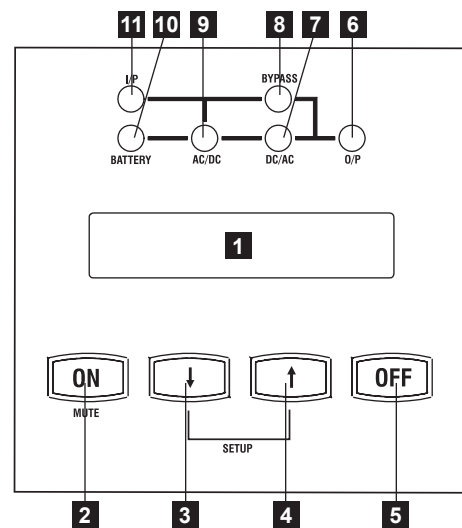


## Компоненты системы

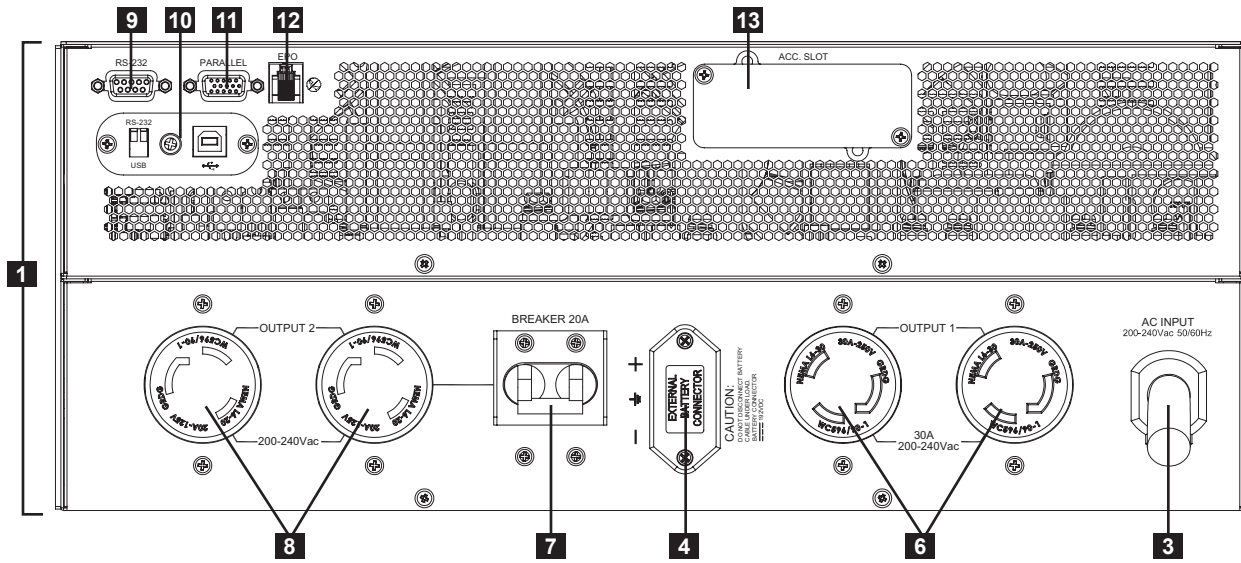
Перед установкой и началом эксплуатации ИБП нужно ознакомиться с расположением и работой каждого из компонентов.

### Элементы контрольной панели силового модуля

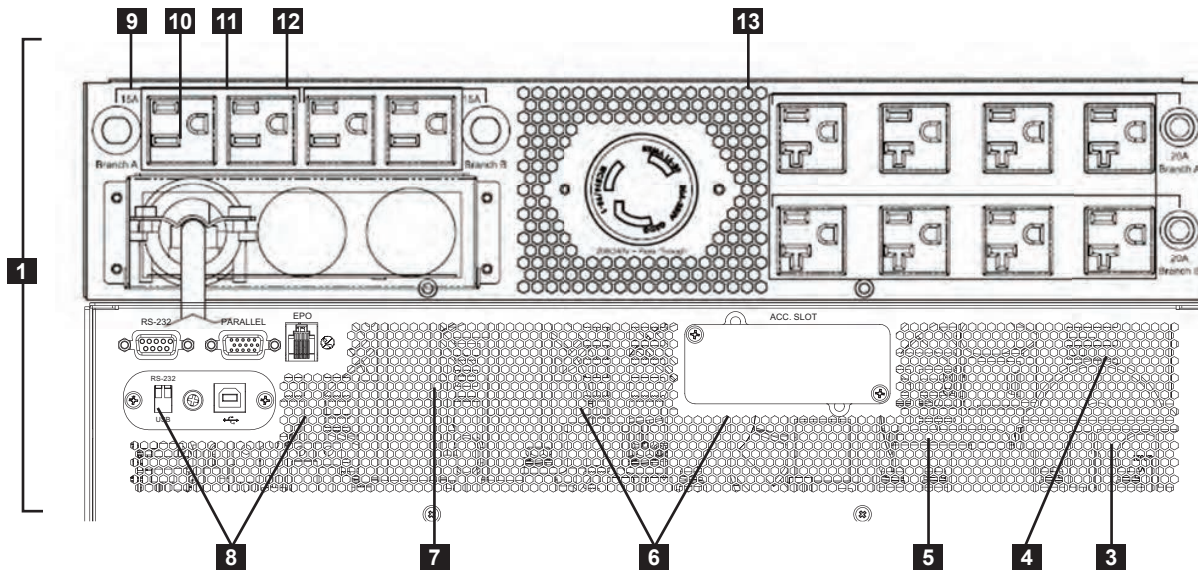
- ЖК ДИСПЛЕЙ:** Этот матричный дисплей с подсветкой (2 строки по 16 символов) предназначен для индикации обширного перечня рабочих состояний ИБП и диагностических данных. На нем также отображаются настройки и опции ИБП, когда устройство находится в режиме настройки.
- КНОПКА ON/MUTE** (включить прибор/убрать звук): Чтобы включить преобразователь ИБП, нажать эту кнопку и удерживать ее, пока не прозвучит звуковой сигнал. Если во время работы звучит сигнал разряда батареи, нажать кнопку для отключения этого сигнала.
- КНОПКА SCROLL DOWN/EXIT SETUP** (пролистывание вниз/выход из настройки): Эта кнопка позволяет пролистывать различные опции и данные о состоянии питания на ЖК дисплее. При коротком нажатии этой кнопки происходит смена информации на ЖК дисплее (см. раздел «Эксплуатация»). При одновременном нажатии этой кнопки и кнопки SCROLL UP (пролистывание вверх) ИБП переходит в режим настройки, где эта кнопка применяется для пролистывания опций настройки и выхода из режима настройки.
- КНОПКА SCROLL UP/SELECT BUTTON** (пролистывание вверх/выбор): Эта кнопка позволяет пролистывать различные опции и данные о состоянии питания на ЖК дисплее. При коротком нажатии этой кнопки происходит смена информации на ЖК дисплее (см. раздел «Эксплуатация»). При одновременном нажатии этой кнопки и кнопки SCROLL DOWN (пролистывание вниз) ИБП переходит в режим настройки, где эта кнопка применяется для выбора опций.
- КНОПКА OFF** (выключить): Чтобы включить преобразователь ИБП, нажать эту кнопку и удерживать ее, пока не прозвучит звуковой сигнал.
- СВЕТОДИОД O/P (OUTPUT-выход):** Этот зеленый светодиод включается, указывая, что ИБП подает питание на подключенное оборудование.
- СВЕТОДИОД DC/AC (инвертор):** Этот зеленый светодиод будет светиться, указывая, что инвертор ИБП активен.
- СВЕТОДИОД «BYPASS» (обход):** Этот желтый светодиод будет мигать, когда ИБП обеспечивает передачу фильтрованного напряжения к нагрузке без использования своего преобразователя или инвертора. Если этот светодиод мигает, оборудование не сможет получать энергию от батарей в случае отключения электроэнергии. Если включен экономичный режим, этот индикатор будет гореть постоянно и подключенное оборудование будет получать питание даже в случае отключения электроэнергии.
- СВЕТОДИОД AC/DC (преобразователь):** Этот зеленый светодиод будет светиться, указывая, что преобразователь ИБП заряжает подключенный блок(и) батарей.
- СВЕТОДИОД BATTERY (батарея):** Этот зеленый светодиод будет светиться, когда ИБП использует энергию батарей для питания подключенной нагрузки переменным напряжением. Будет звучать предупреждающий звуковой сигнал, который можно отключить нажатием кнопки ON/MUTE. Этот светодиод продолжает светиться и после отключения звукового сигнала.
- СВЕТОДИОД I/P (INPUT -вход):** Этот зеленый светодиод будет светиться, указывая, что на входе есть переменное напряжение.



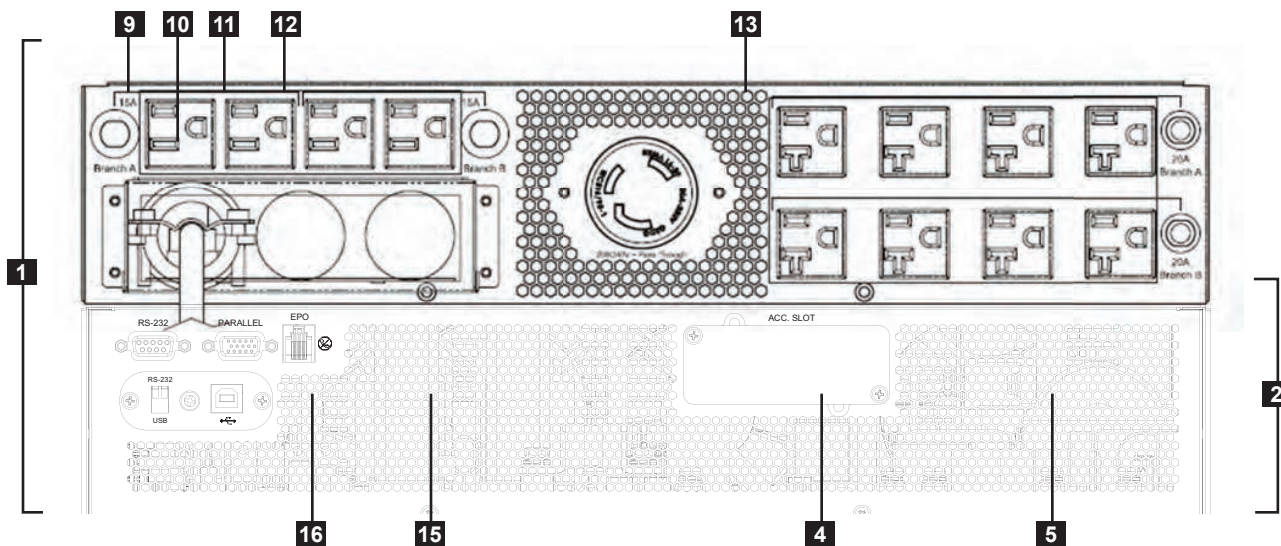
**SU5000RT4UHV—Система ИБП 5 кВА**



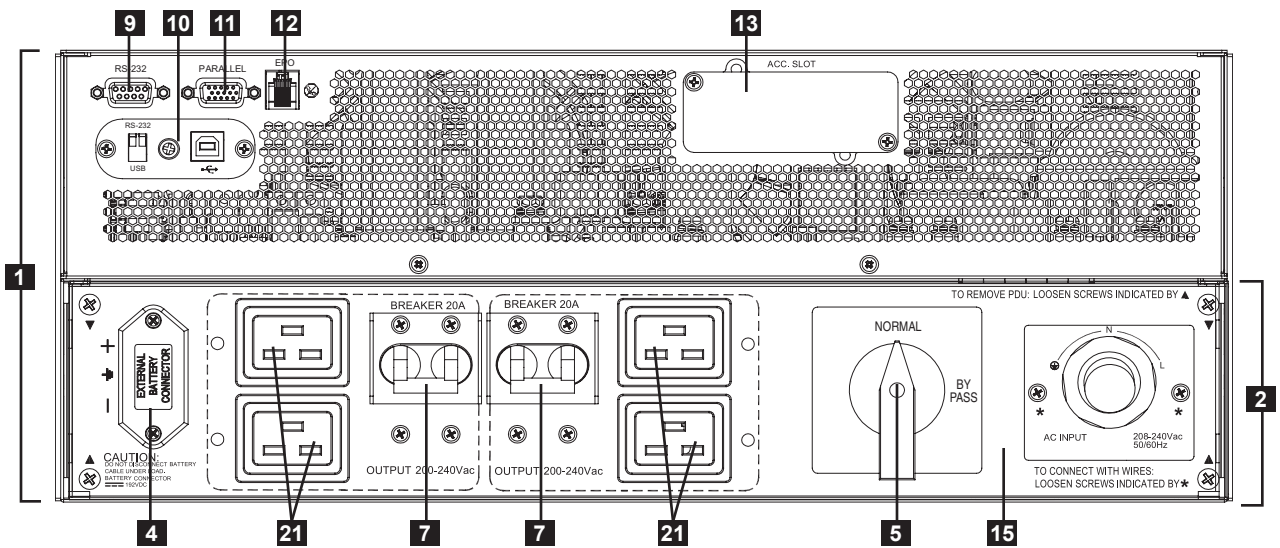
**SU6000RT4UHV—Система ИБП 6 кВА с блоком PDU под розетки NEMA**



**SU6000RT4UHVHW—Система ИБП 6 кВА с блоком PDU проводного подключения**

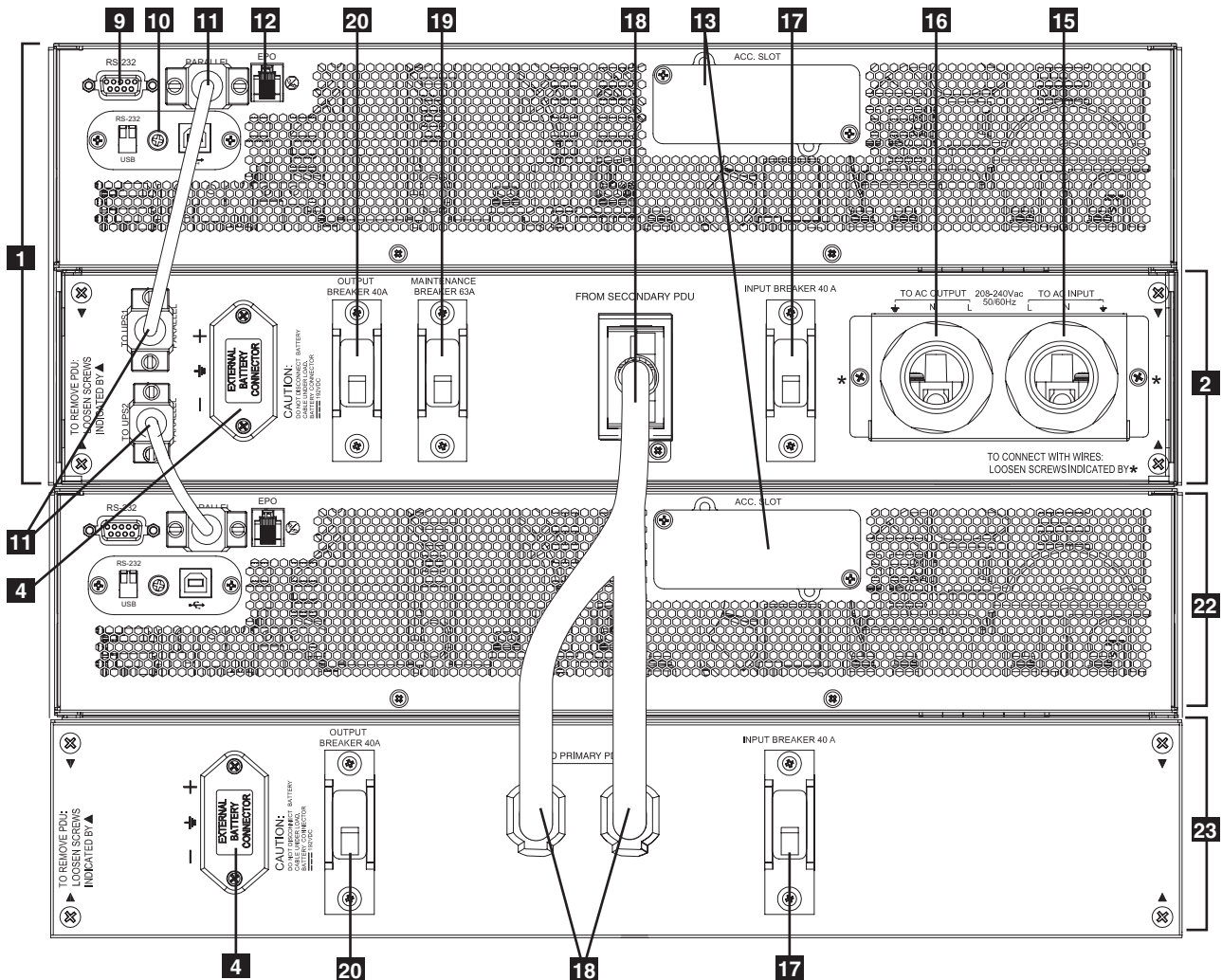


**SU6000RT4UHVГ—Система ИБП 6 кВА с блоком PDU под розетки IEC**



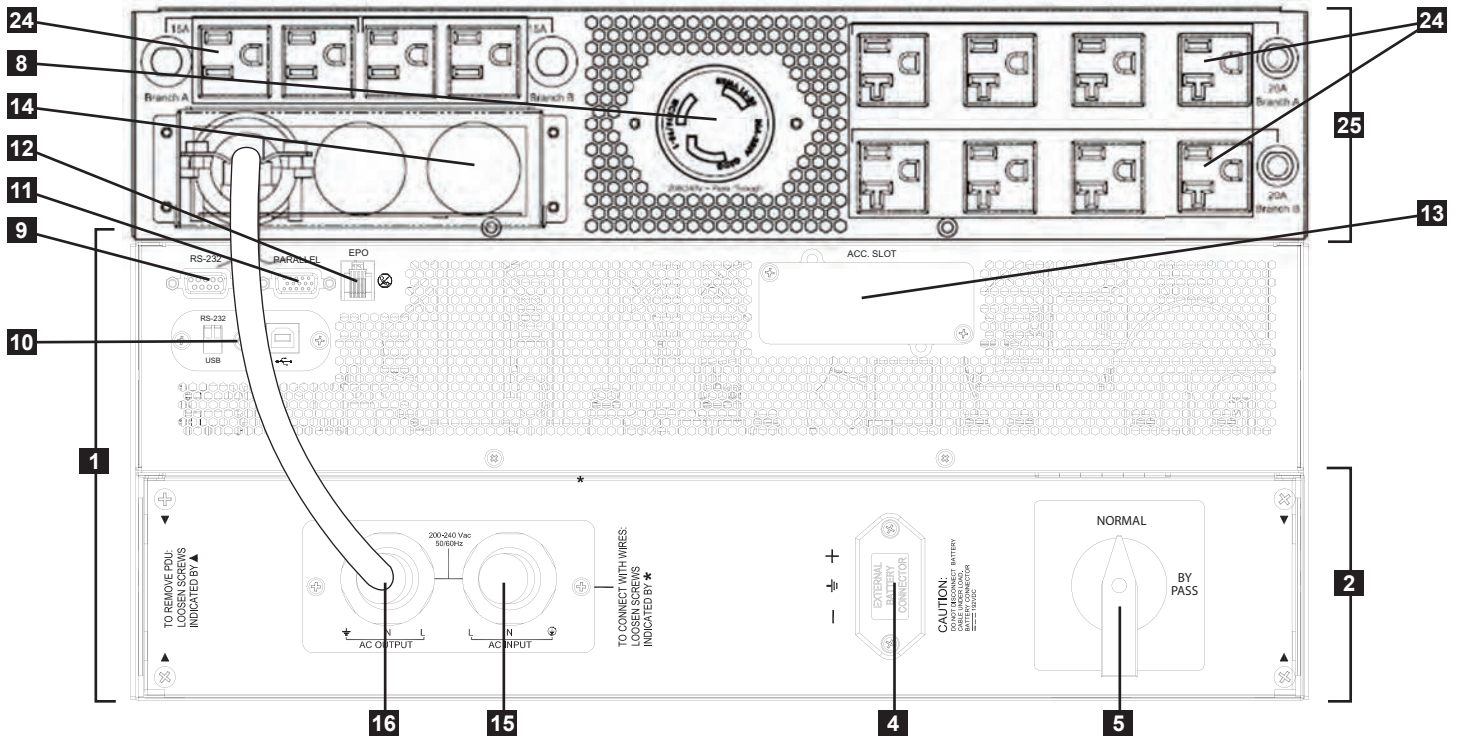
**SU12KRT4UHW—Система ИБП 12 кВА и блоки PDU параллельной конфигурации**

Примечание: При установке ИБП 12 кВА см. руководство из комплекта поставки параллельного блока PDU для получения инструкций по установке, конфигурированию и настройке.

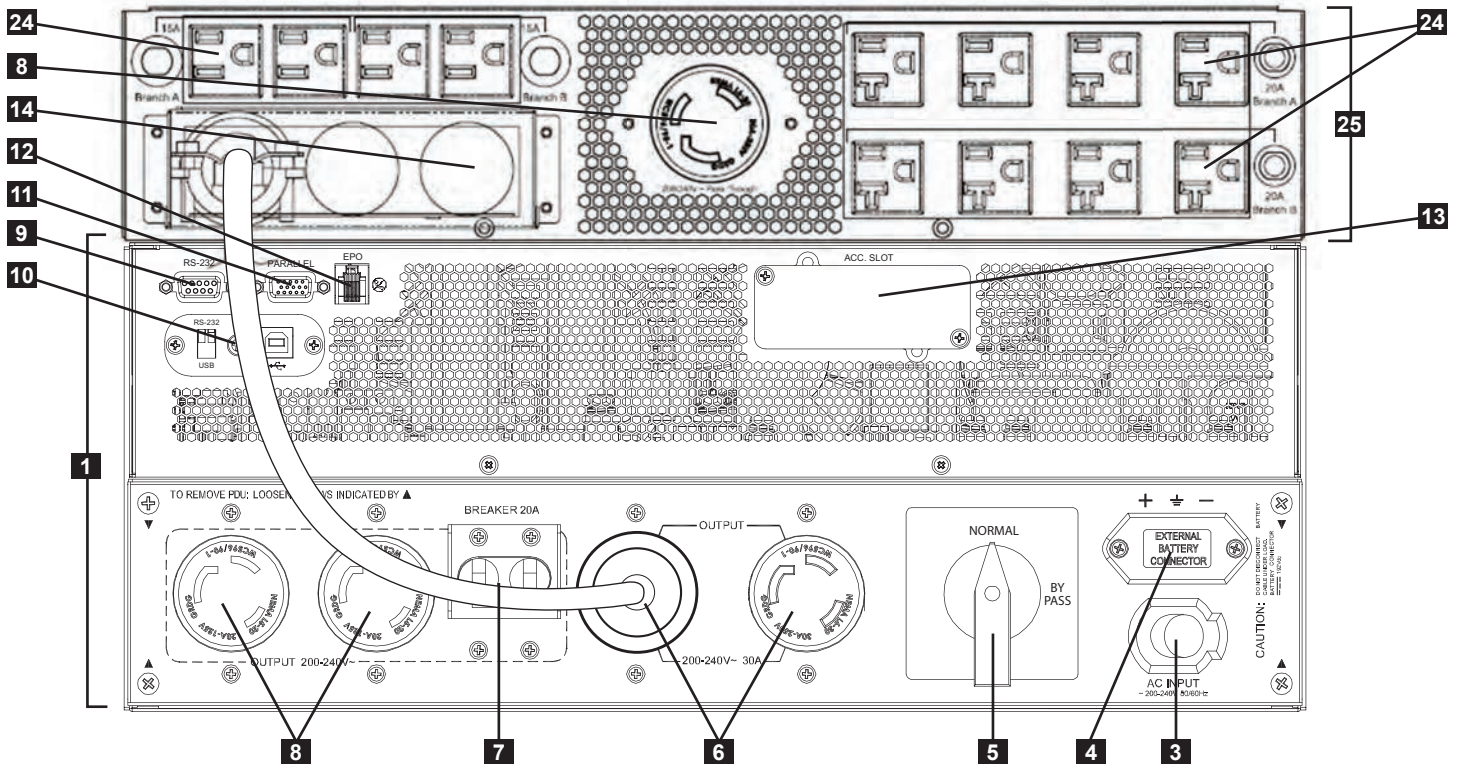


**Элементы на задней панели** Описание элементов показана на “Элементы на задней панели” раздел

**SU6000RT4UTFHW—ИБП 6 кВА с блоком PDU с проводным подключением и изолирующим понижающим трансформатором 6 кВА (SU6000XFMR2U)**



**SU6000RT4UTF—ИБП 6 кВА с блоком PDU с розетками NEMA и изолирующим трансформатором 6 кВА**



## Элементы на задней панели

- 1** Система ИБП: В этом корпусе помещаются силовые и управляющие компоненты системы ИБП, а также внутренние батареи.
- 2** Независимый, съемный блок распределения питания (PDU): В этом корпусе помещаются компоненты входов и выходов системы ИБП вместе с переключателем обходной цепи. Когда переключатель установлен в режим обходной цепи, блок PDU может быть полностью снят с силового модуля/блока батарей для текущего технического обслуживания без прерывания питания подключенных нагрузок. Когда этот переключатель находится в положении «BYPASS», подключенное оборудование будет получать нефильтруемую мощность от сети, но не сможет получать энергию от батарей при отключении электроэнергии.
- 3** Сетевой шнур: Подключается к сетевой розетке 200-240 В.
- 4** Разъем подключения внешней батареи: Используется для подключения к силовому модулю одного или нескольких блоков батарей Tripp Lite. Снять крышку для доступа. Силовой модуль не запустится без подключения заряженного блока батарей. С инструкциями по подключению и мерами предосторожности можно ознакомиться в руководстве по эксплуатации блока батарей.
- 5** Переключатель обходной цепи: Этот переключатель позволяет квалифицированному обслуживающему персоналу снимать блок PDU с силового/батарейного модуля для текущего технического обслуживания без прекращения подачи электроэнергии к подключенным нагрузкам. Когда этот переключатель находится в положении «BYPASS», подключенное оборудование будет получать фильтруемую мощность от сети, но не сможет получать энергию от батарей при отключении электроэнергии. Полностью процедура включения обходной цепи описана в разделе «Ручное переключение на работу в обход».
- 6** Выходные розетки L6-30R: Позволяют напрямую подключать оборудование, снабженное вилками типа NEMA L6-30.
- 7** Выходной автоматический выключатель 20 А: Один двухполюсный автоматический выключатель управляет выходной мощностью на розетках, указанных на каждой модели.
- 8** Выходные розетки L6-20R: Позволяют напрямую подключать оборудование, снабженное вилками типа NEMA L6-20.
- 9** Порт связи RS-232: Этот порт на разьеме DB9 может использоваться для подключения ИБП к рабочей станции или серверу. Для связи с подключенным компьютером используется протокол RS-232. Он используется с программным обеспечением Tripp Lite и последовательным кабелем из комплекта поставки для дистанционного контроля и управления системой ИБП по сети, что позволяет автоматически сохранять открытые файлы и отключать оборудование во время отключения электроэнергии. Подробная информация приведена в разделе «Дополнительные подключения».
- 10** Компактный разъем: Порт USB (по умолчанию отключен – DIP-переключатели установлены в положение RS-232; для включения перевести оба DIP-переключателя в положение USB). При необходимости можно приобрести дополнительную карту для интерфейса с замыканием контактов (модель RELAYIOMINI).
- 11** Разъем для параллельного подключения: Для связи ИБП, работающих параллельно (этот функционал доступен только в модели 6 кВА). См. руководство в комплекте поставки параллельного блока PDU. Для получения более подробной информации посетите веб-сайт компании [www.tripplite.com/support](http://www.tripplite.com/support).
- 12** Порт EPO (аварийное отключение питания): Система ИБП оборудована портом EPO, который может применяться для подключения силового модуля ИБП к релейному выключателю, чтобы выполнять аварийное отключение питания. Подробная информация приведена в разделе «Дополнительные подключения».
- 13** Разъем для принадлежностей: Снять небольшую крышку, чтобы установить дополнительные принадлежности, которые позволяют дистанционно управлять и контролировать систему ИБП. Чтобы узнать больше о доступных продуктах SNMP, управления по сети и коммутационных принадлежностях, которые можно установить в этот разъем, посетите веб-сайт компании Tripp Lite по адресу [www.tripplite.com](http://www.tripplite.com).
- 14** Клеммная колодка силовых входов/выходов трансформатора (только ИБП 6 кВА): Эти клеммы используются для подключения соответствующих блоков PDU.
- 15** Клеммная колодка сетевого входа (только ИБП 6 кВА и модуль IEC/PARALLEL/HARDWIRE 12 кВА): Эти клеммы используются для подключения силового модуля к сети электропитания. Для доступа к клеммам отвинтить и снять крышку блока.
- 16** Клеммная колодка выхода нагрузки (только ИБП 6 кВА и модуль IEC/PARALLEL/HARDWIRE 12 кВА): Эти клеммы используются для подключения оборудования к силовому модулю. Для доступа к клеммам отвинтить и снять крышку блока.
- 17** Входной автоматический выключатель: Один двухполюсный автоматический выключатель управляет подключением сети питания к силовому модулю.
- 18** Разъем параллельного силового подключения: Только для использования со вторичным параллельным блоком PDU.
- 19** Автоматический выключатель для обслуживания (только ИБП 12 кВА): обеспечивает отсоединение ИБП для обслуживания.
- 20** Выходной автоматический выключатель: Один двухполюсный автоматический выключатель обеспечивает подключение нагрузки через обходную цепь для параллельных систем.
- 21** Выходные розетки (только ИБП/модуль IEC PDU 6 кВА): Позволяют напрямую подключать оборудование, снабженное вилками типа IEC-320-C20.
- 22** Вторичный модуль ИБП
- 23** Вторичный блок PDU
- 24** Выходные розетки переменного тока 5-15/20R допускают прямое подключение штекерного разъема типа NEMA 5-15P или вилок кабелей питания оборудования типа 5-20P.
- 25** Разделительный понижающий трансформатор: этот автономный модуль обеспечивает возможность подключения к ИБП как низковольтных, так и высоковольтных устройств.

## Подключение

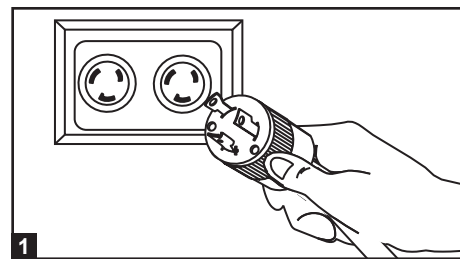
Примечание: Заводская установка выходного напряжения по умолчанию 208 В. При необходимости можно установить другое выходное напряжение ИБП. Для этого см. пункт «Выбор выходного напряжения» в разделе «Эксплуатация». Выбор правильного выходного напряжения нужно производить до подключения оборудования к ИБП.

### 1 Включить сетевую вилку ИБП в электрическую розетку. (SU5000RT4UHV, SU5000RT4UTF, SU6000RT4UHV, SU6000RT4UTF)

Система ИБП должна подключаться к отдельной линии с достаточной силой тока.

*Примечание! После подключения ИБП к действующей сети электропитания, на ЖК дисплее ИБП отобразится сообщение «BYPASS MODE» и начнется автоматическая зарядка его батарей, одновременно обеспечивается напряжение на выходе.*

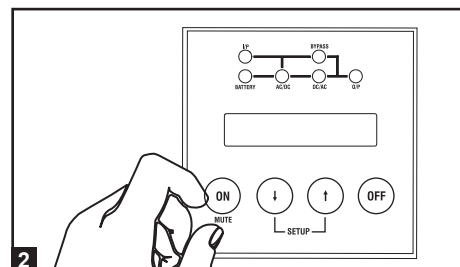
Если имеется блок PDU с ручным переключателем на обходную цепь, нужно перевести этот переключатель в положение «NORMAL».



### 2 Включение ИБП

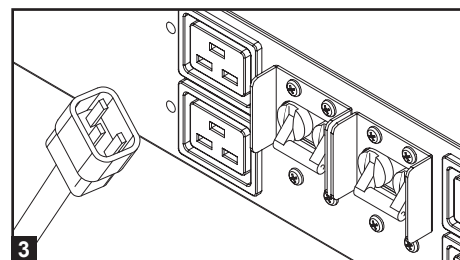
Для запуска инвертора нажать на ИБП кнопку «ON», пока не прозвучит сигнал. Сначала будет выполнена короткая самодиагностика ИБП и результат отобразится на ЖК дисплее. Последовательность отображения описана в пункте «Самодиагностика при запуске» в разделе «Эксплуатация». Теперь ИБП будет обеспечивать на выходе фильтрованное напряжение.

*Примечание: Система ИБП будет исправно работать сразу же после первого запуска, однако максимальное время работы батареи, будет доступно только после зарядки батареи в течение 24 часов.*



### 3 Подключение оборудования к ИБП.

Система ИБП предназначена для питания только электронного оборудования. Если общая потребляемая мощность подключенного оборудования превышает нагрузочную способность ИБП, это приведет к его перегрузке. К выходу ИБП нельзя подключать бытовые приборы или лазерные принтеры. Мощность оборудования нанесена на его заводской табличке. Если для оборудования указан ток, следует перемножить число ампер на входное напряжение в вольтах (200~240 В), чтобы определить мощность в ВА. (Например: 1 А x 220 В = 220 ВА).



### 4 Выключение ИБП (опционально)

Нажать кнопку «OFF» и удерживать ее, пока не прозвучит сигнал. Будет предложено выбрать вариант Yes/No. При выборе Yes ИБП будут отключены. Для отмены выключения выбрать No. ИБП будет продолжать автоматически заряжать батареи и обеспечивать не фильтрованное напряжение на выходе (по обходной цепи) все время, пока он подключен к сети электропитания. Чтобы полностью выключить ИБП, нужно отключить сетевой шнур от сети, когда система ИБП находится в режиме ожидания.

### 5 «Холодный» запуск ИБП (опционально)

Чтобы использовать систему ИБП в качестве автономного источника питания в условиях отсутствия сетевого напряжения (например, при отключении электроэнергии), можно осуществить «холодный» запуск ИБП и подать напряжение к подключенному оборудованию, используя энергию батарей. Для выполнения этой операции батареи ИБП должны быть хотя бы частично заряжены. Чтобы выполнить «холодный» запуск ИБП, нажать и удерживать кнопку «ON», пока не прозвучит сигнал. На ЖК дисплее появится индикация ON BATTERY MODE (работа от батарей). Начнется использование энергии батарей. Некоторое электронное оборудование при включении может потреблять большой ток; во время «холодного» запуска рекомендуется снизить начальную нагрузку на ИБП.

## Подключения к входным клеммам (SU6000RT4UHVHW, SU6000RT4UHVG, SU6000RT4UTFHW)

*Примечание: Для получения информации по проводному подключению SU12KRT4UHW см. руководство по параллельному блоку PDU.*

### Меры предосторожности при проводном подключении

- Проводные подключения должны выполняться квалифицированным электриком.
- При выполнении проводных подключений следует постоянно соблюдать нормативные документы по электротехническим работам, действующим в вашей местности [например, Правила устройства электроустановок (NEC) в США]. В обязательном порядке должен быть легко доступный разъединитель, чтобы можно было прервать подачу электроэнергии к ИБП при возгорании и других аварийных ситуациях. Кабели должны быть оснащены кабельными наконечниками и закреплены разъемами с защелками. Зажимать соединения с крутящим моментом не менее 2,7-3,2 Нм.
- Проверить надежность заземления оборудования.
- Использование кабелей неправильного сечения может привести к повреждению оборудования и стать причиной возгорания. Для выполнения кабельных подключений выбрать подходящие кабели и защитные устройства. Проводники заземления должны быть того же сечения и типа, что и силовые.
- Для выбора правильного сечения проводов и выходного защитного оборудования необходимо соблюдать Правила устройства электроустановок.



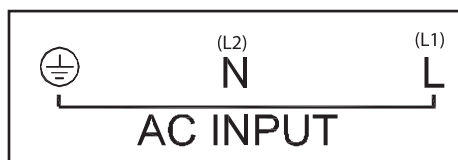
## Подключение (продолжение)

### Проводное подключение – модуль PDU с розетками IEC (SU6000RT4UHVГ)

Модель	Входное напряжение	Максимальный входной ток	Обычное сечение провода
SUPDMB6KIEC	200~240 В (L-N)	30А	8 мм <sup>2</sup>

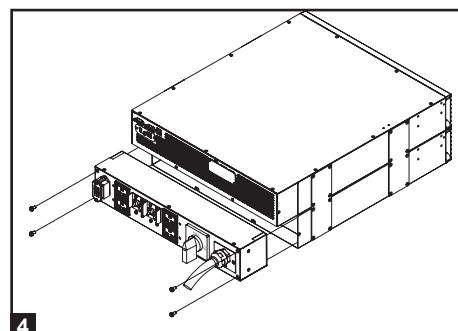
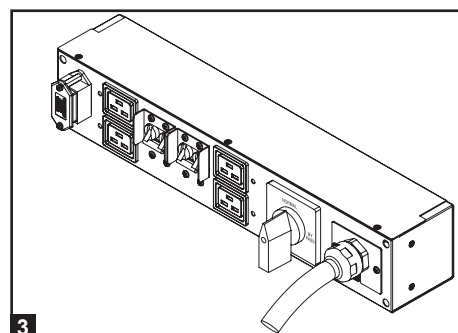
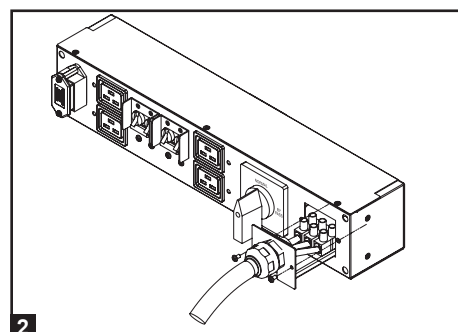
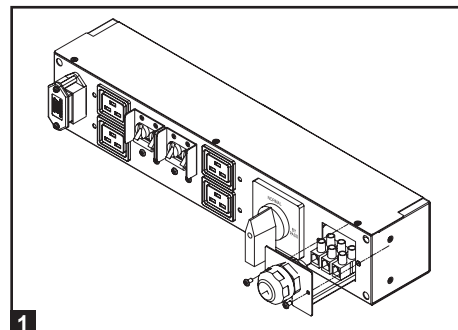
**1** Отвинтить 3 винта, чтобы снять крышку кабельного ввода, и вытащить ее, как показано на рис. 1.

**2** Подсоединить провода L1, L2 и заземления (проводной вход, выход на розетки) согласно маркировке на разъемах, как показано на рис. 2.



**3** Вернуть на место и закрепить крышку кабельного ввода тремя винтами (см. шаг 1).

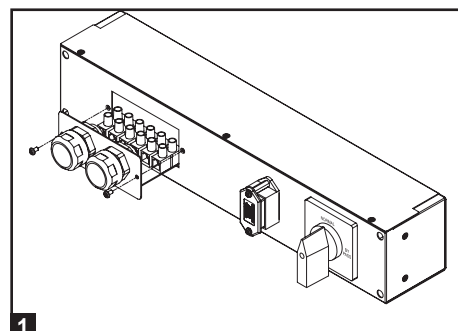
**4** Присоединить блок PDU к системе ИБП с помощью 4 винтов, как показано на рис. 4.



### Проводное подключение и первичный блок ПДУ (SU6000RT4UHVHW, SU6000RT4UTHFW)

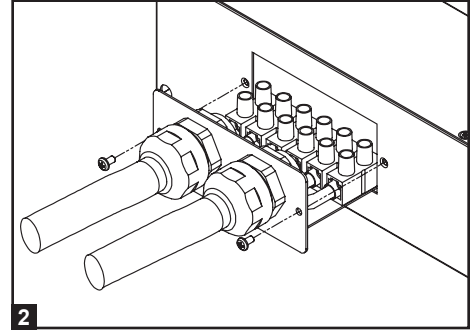
Модель	Входное напряжение	Максимальный входной ток	Максимальный выходной ток	Обычное сечение провода
SUPDMB6KHW	200~240 В (L-N)	32А	30А	8 мм <sup>2</sup>

**1** Отвинтить 3 винта, чтобы снять крышку кабельного ввода и вытащить ее, как показано на рис. 1.

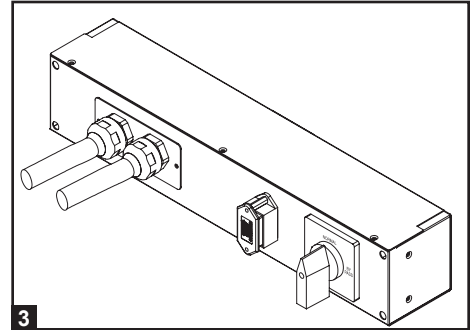


## Подключение (продолжение)

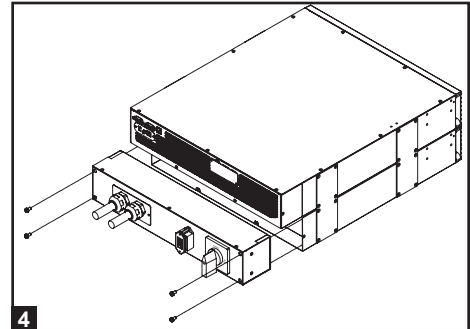
- 2** Подсоединить два набора проводов L1, L2 и заземления (1 входной и 1 выходной) согласно маркировке на разъемах, как показано на рис. 2. Проверить, чтобы один набор проводов был подключен к входным клеммам, а другой – к выходным.



- 3** Вернуть на место и закрепить крышку кабельного ввода тремя винтами (см. шаг 1).



- 4** Присоединить блок PDU к системе ИБП с помощью 4 винтов, как показано на рис. 4.



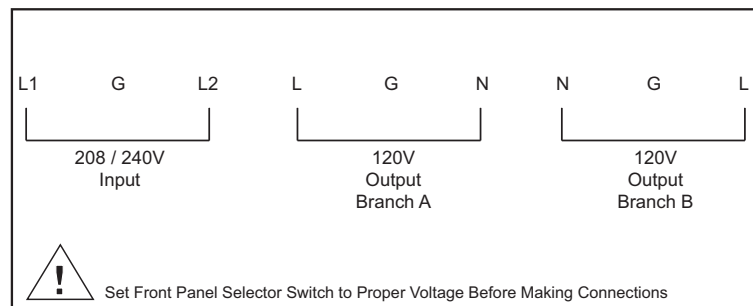
## Проводное подключение трансформатора (входы и выходы)

### SU6000RT4UTF

1. Подключить XFMR к ИБП.
2. Подключить трансформатор к ИБП. Это может быть проводное подключение, разъемное подключение или оба, при условии, что комбинированная нагрузка не превышает выходной мощности.

### SU12KRT4UHW

Для получения информации по подключению, настройке и установке см. руководство в комплекте поставки параллельного блока PDU.



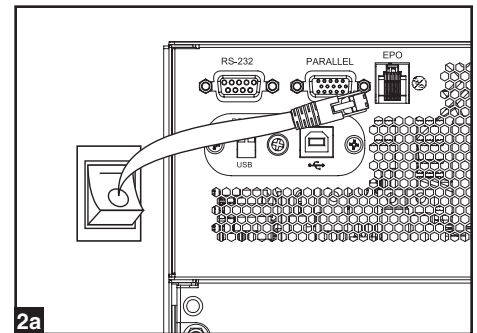
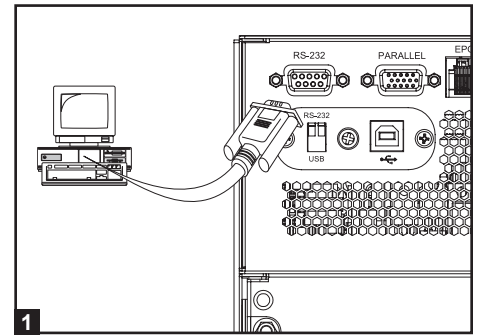
## Дополнительные подключения

Следующие подключения являются опциональными. Система ИБП будет нормально работать даже без этих подключений.

### 1 Подключение порта связи USB и последовательного порта RS-232

С помощью комплектного кабеля подключить порт связи RS-232 силового модуля ИБП к порту связи компьютера. Это позволит полностью контролировать работу и управлять системой ИБП по сети. Установить на компьютере программное обеспечение Tripp Lite PowerAlert соответственно используемой операционной системе. ИБП также оборудован модулем связи через порт USB.

При необходимости можно приобрести дополнительную карту для интерфейса с замыканием контактов (модель RELAYIOMINI). По умолчанию этот модуль отключен. Для включения перевести оба DIP-переключателя в положение USB. Включение этого модуля отменяет использование порта RS-232. Порт RS-232 также отключается при установке дополнительной карты SNMP/Web (модель SNMPWEBCARD). Карта SNMP/Web может использоваться одновременно с модулем связи USB.

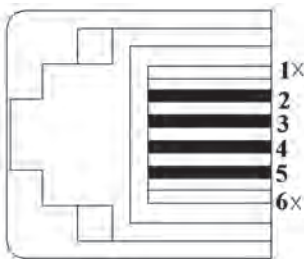


### 2 Подключение порта EPO

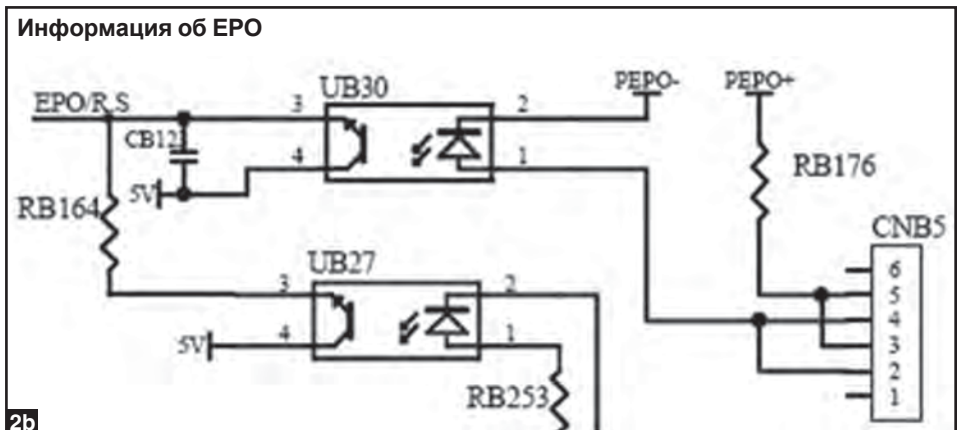
Эта дополнительная возможность предназначена только для тех приложений, в которых необходимо подключение к цепи аварийного отключения питания (EPO) объекта. Если ИБП подключен к этой цепи, то разрешается аварийное отключение его преобразователя и не допускается переключение на внутреннюю обходную цепь. Используя кабель из комплекта поставки, подключить порт EPO системы ИБП (рис. 2a) к переключателю с нормально разомкнутыми контактами, который приобретает пользователь, согласно схеме подключения (рис. 2b).

2a) к переключателю с нормально разомкнутыми контактами, который приобретает пользователь, согласно схеме подключения (рис. 2b).

#### Разъем EPO



Для активирования ЭПО можно замкнуть контакты 4 и 5 или контакты 2 и 3.



#### Примечание:

1. При использовании вместо поставляемого в комплекте кабеля другого, его длина не должна превышать 106 метров, или сопротивление должно быть не более 10 Ом.
2. Если используется переключатель EPO без фиксации, удержание сигнала должно составлять не менее 1 секунды. Это не относится к переключателям EPO с фиксацией.
3. Для настройки интерфейса аварийного отключения питания (EPO) с нормально замкнутым выключателем просьба обращаться в службу технической поддержки компании Tripp Lite.

**Внимание:** Порт EPO не предназначен для защиты телефонной линии от скачков напряжения; нельзя подключать к этому порту телефонную линию.

## Дополнительные подключения (продолжение)

Состояние устройства ИБП, когда срабатывает EPO при наличии напряжения в сети электропитания:

Светодиоды	Выход	Вентиляторы	Последовательный интерфейс	SNMP	USB	ЖК-экран
OFF (ВЫКЛ)	OFF (ВЫКЛ)	OFF (ВЫКЛ)	OFF (ВЫКЛ)	OFF (ВЫКЛ)	OFF (ВЫКЛ)	“Аварийное отключение”

Процедура перезапуска ИБП после срабатывания EPO при наличии напряжения в сети электропитания:

1. Убедиться, что была устранена причина срабатывания EPO или исправлена неполадка.
2. Отключить ИБП от сети электропитания.
3. Снова подключить к сети электропитания. Теперь ИБП запустится как резервный источник в режиме обходной цепи и на ЖК-дисплее появится индикация “BYPASS MODE” (режим работы обходной цепи).

Состояние устройства ИБП, когда срабатывает EPO при отсутствии напряжения в сети электропитания:

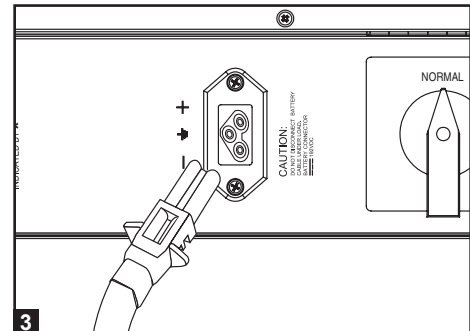
Светодиоды	Выход	Вентиляторы	Последовательный интерфейс	SNMP	USB	ЖК-экран
OFF (ВЫКЛ)	OFF (ВЫКЛ)	OFF (ВЫКЛ)	OFF (ВЫКЛ)	OFF (ВЫКЛ)	OFF (ВЫКЛ)	“Аварийное отключение”

Процедура перезапуска ИБП после срабатывания EPO при отсутствии напряжения в сети электропитания:

1. Убедиться, что была устранена причина срабатывания EPO или исправлена неполадка.
2. Подключить ИБП к сети электропитания. Теперь ИБП запустится как резервный источник в режиме обходной цепи и на ЖК-дисплее появится индикация “BYPASS MODE” (режим работы обходной цепи).

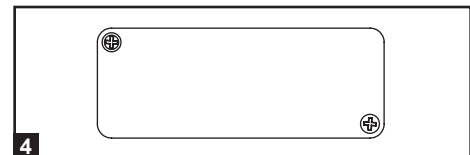
### 3 Подключение внешней батареи

ИБП поставляется с надежной внутренней батареей; внешние батареи необходимы только для продления времени работы. Добавление дополнительных батарей приведет к увеличению времени их заряда, а также продлению времени автономной работы. На рисунке показано местоположение разъема для подключения внешних батарей, куда подключается кабель внешнего блока батарей. Полностью инструкции для подключения блока батарей приведены в соответствующем руководстве. Соединительные кабели должны быть плотно вставлены в разъемы. Возможно небольшое искрение при подключении: это нормально. Нельзя подключать или отключать блоки батарей, когда ИБП работает от батарей.



### 4 Разъем для принадлежностей

Для установки карты принадлежностей SNMP/Web (модель: SNMPWEBCARD) нужно снять крышку отсека принадлежностей и вставить карту. Это позволит удаленно контролировать и управлять системой ИБП через SNMP, веб-интерфейс или telnet. (Также доступна модель RELAYIOCARD.) Подробная информация, включая перечень доступных продуктов SNMP, коммутационных принадлежностей и принадлежностей для управления по сети, находится на сайте компании по адресу [www.tripplite.com/support](http://www.tripplite.com/support).



## “Горячая” замена силового модуля\*

Предупреждение! Только для квалифицированного обслуживающего персонала. Если не соблюдать полностью процедуру переключения на обходную цепь, ИБП не будет правильно выключен, представляя угрозу получения серьезных травм или смертельного исхода от электрического удара высоким напряжением. ИБП и съемный блок PDU имеют очень большую массу. Для выполнения этой процедуры требуется участие нескольких людей.

Система ИБП содержит независимый съемный блок PDU с переключателем обходной цепи. Этот переключатель позволяет квалифицированному обслуживающему персоналу снимать блок PDU с ИБП для текущего технического обслуживания без прекращения подачи электроэнергии к подключенным нагрузкам. Когда этот переключатель находится в положении «BYPASS», подключенное оборудование будет получать нефильтруемую мощность от сети. Но при этом оборудование не сможет получать энергию от батарей в случае отключения электроэнергии.

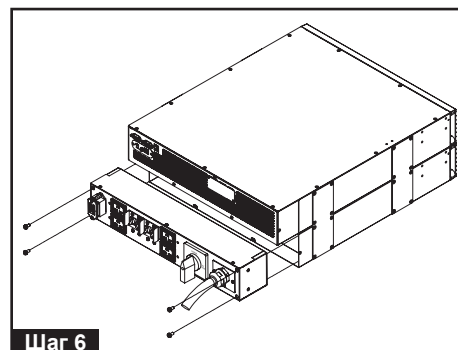
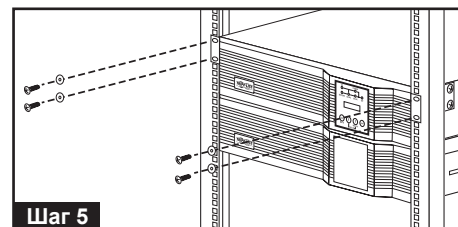
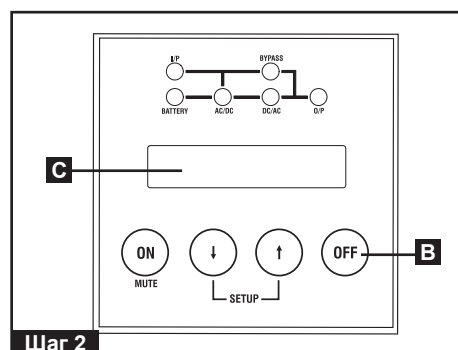
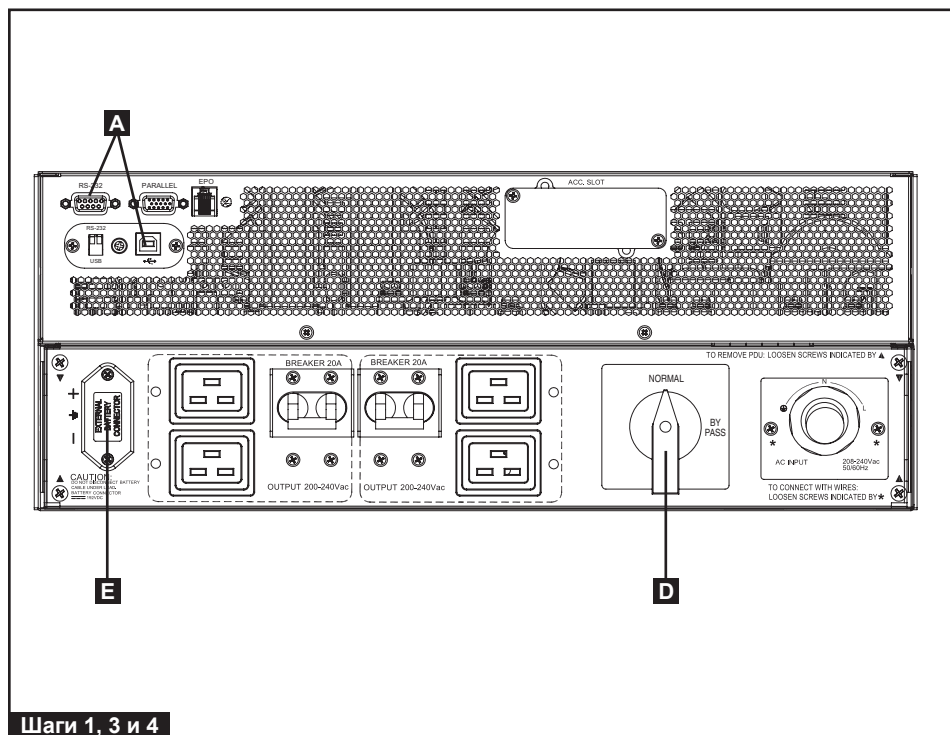
\* Для использования обходной цепи см. руководство, включенное в комплект поставки параллельного блока PDU SU12KRT4UHW.

### Снятие ИБП (только конфигурации ИБП с одним силовым модулем 6 кВА)

- ШАГ 1. Отключить ПО PowerAlert и отсоединить кабели связи SNMP или USB от портов связи **A** на ИБП.
- ШАГ 2. Нажать на ИБП кнопку «OFF» **B**, если ИБП включен, и удерживать, пока не прозвучит сигнал и на ЖК дисплее **C** не появится сообщение «BYPASS MODE» спереди силового модуля. Вам будет предложено перейти в «BYPASS MODE» (режим обхода). Нажать кнопку «OFF» на ИБП еще раз, чтобы активировать «BYPASS MODE» (режим обхода).
- ШАГ 3. Повернуть переключатель обходной цепи **D** на съемном блоке PDU в положение «BYPASS» сзади блока PDU ИБП.
- ШАГ 4. Если к разъему **E** на ИБП подключен блок внешней батареи, отключить его от ИБП.  
Теперь ИБП надежно обесточен и его можно отключить от блока PDU для обслуживания или замены.
- ШАГ 5. Снять четыре винта, которыми передние монтажные проушины ИБП крепятся к стойкам. Когда блок PDU все еще скреплен с системой ИБП, немного переместить их вперед (примерно на 10 см), убедившись, что оба компонента остаются на надежной опоре – горизонтальных направляющих стойки.
- ШАГ 6. С задней стороны ИБП вывинтить четыре винта, которыми ИБП скреплен со съемным блоком PDU, чтобы можно было снять ИБП для обслуживания. С помощником, который удерживает ИБП на месте, осторожно отстыковать блок PDU от задней стороны ИБП и оставить его на направляющих. Снять силовой модуль ИБП с передней стороны стойки.

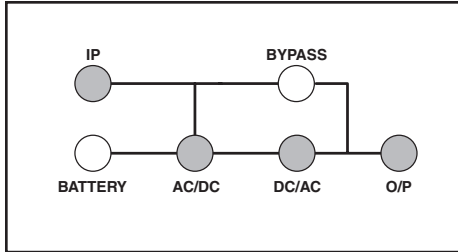


**Предупреждение! Высокое напряжение! Угроза электрического удара!**

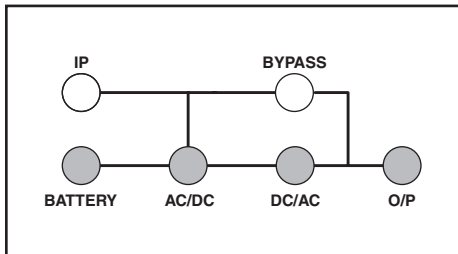


## Светодиодная индикация

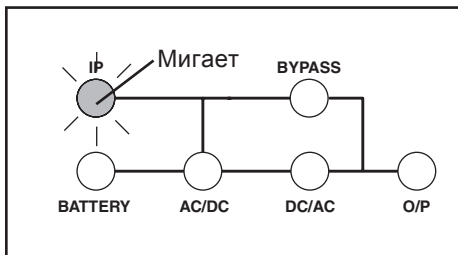
Режим ONLINE: Входное напряжение в нормальном диапазоне: 156–280 В.



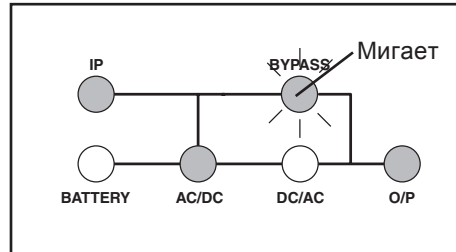
Режим «холодного» запуска/работа от батарей: При работе от батарей будет следующая индикация светодиодов:



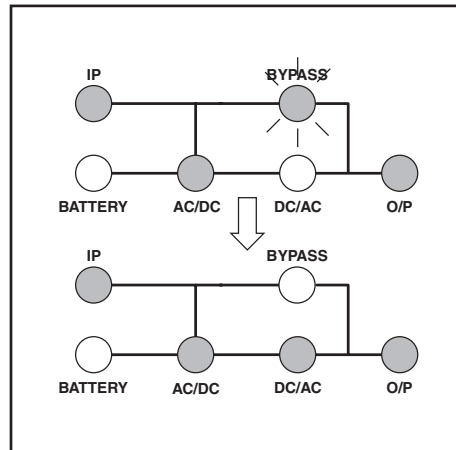
Аварийное отключение по команде ЕРО (в режиме преобразователя частоты): При аварийном отключении, когда отсутствует сетевое напряжение, последовательность включения светодиодов будет следующей:



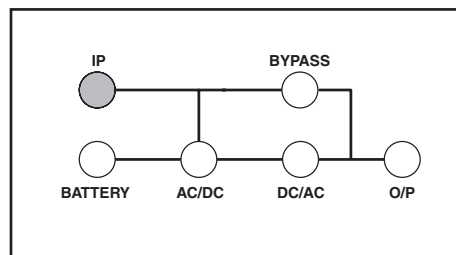
Режим работы обходной цепи: Входное напряжение в диапазоне: -20 до +15% от номинального напряжения; режим работы в обход разрешен.



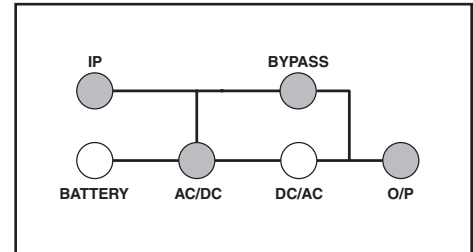
Запуск при работе от сети: Во время запуска при работе от сети включение светодиодов произойдет в следующей последовательности:



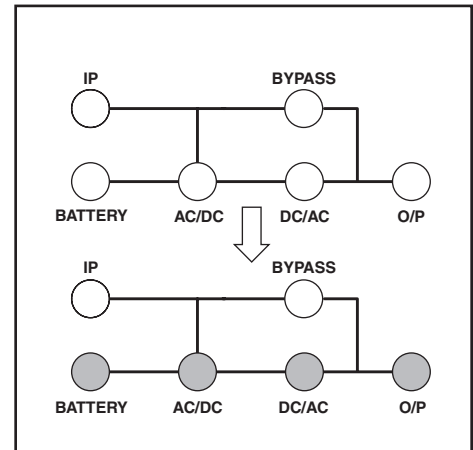
Аварийное отключение по команде ЕРО (в режиме преобразователя частоты): При аварийном отключении, когда присутствует сетевое напряжение, последовательность включения светодиодов будет следующей:



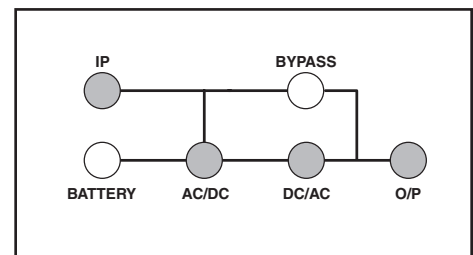
Экономичный режим: Входное напряжение в диапазоне от -10 до +10% от номинального напряжения; экономичный режим работы разрешен.



«Холодный» запуск: Во время «холодного» запуска включение светодиодов произойдет в следующей последовательности:



Автономный режим от батарей: В автономном режиме от батарей будет отображаться та же светодиодная индикация, что и в режиме ONLINE, но будет звучать сигнал «батарея неисправна».



### Внутренний тест при запуске

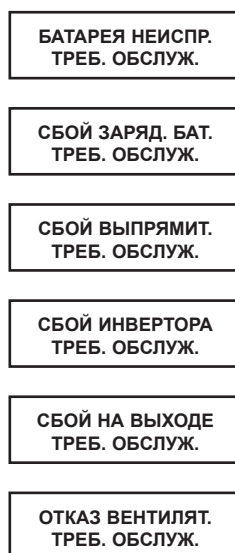
При включении ИБП он переходит в режим диагностики и выполняет короткий внутренний тест, который длится примерно 15 секунд. Результаты внутреннего тестирования отображаются на ЖК дисплее в следующем порядке.



\* Примечание: Если ИБП выполняет «холодный» запуск, светодиод BATTERY будет гореть.

### Сбой в процессе самодиагностики

Если во время самодиагностики обнаружена проблема, ЖК дисплей будет отображать сообщение об ошибке. Если на ЖК дисплее отображается одно из следующих сообщений, посетить веб-сайт [www.tripplite.com/support](http://www.tripplite.com/support) для получения помощи.



## Нормальная работа

Во время нормальной работы первая строка ЖК дисплея отображает, в каком режиме работает ИБП: интерактивный, экономичный, режим преобразователя частоты, работа от батарей, работа в обход или параллельный режим (только модель 12 кВА).

**Интерактивный режим:** ИБП обеспечивает питание переменным напряжением во время наличия сетевого напряжения и мгновенно переключается в режим работы от батарей (нулевое время переключения), если прекращается подача электроэнергии.

**Экономичный режим:** ИБП обеспечивает питание переменным напряжением с высокой эффективностью, пока сетевое напряжение находится в пределах +/-10% от номинального и переключается в режим работы от батарей (время переключения 8 мс), если прекращается подача электроэнергии.

**Режим преобразователя частоты:** Используется для преобразования входного напряжения одной частоты в выходное напряжение другой частоты (например, входное 60 Гц в выходное 50 Гц. Примечание: В режиме преобразования частоты выход отключается, если прибор переключается на обходную цепь).

**Режим работы от батарей:** ИБП обеспечивает питание от батарей, насколько хватит их заряда. При возобновлении подачи электроэнергии он возвращается в нормальный или экономичный режим. Если энергия батарей исчерпана, а подача электроэнергии не возобновилась, ИБП выключается.

**Режим работы обходной цепи:** ИБП обеспечивает питание переменным напряжением, пока есть подача электроэнергии от сети. Если подача электроэнергии прекратится, ИБП выключается.

**Параллельный режим (только модель SU12KRT4UHW):** ИБП будет обеспечивать режим надежности с избыточностью при нагрузке до 6 кВА, или режим повышенной мощности – до 12 кВА. Для получения более подробной информации см. руководство в комплекте поставки параллельного блока PDU.

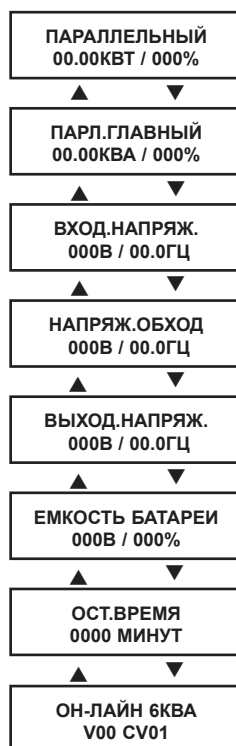
Вторая строка ЖК дисплея отображает базовые параметры электропитания. В каждом режиме работы нажатие кнопки прокрутки вызывает отображение базовых характеристик электропитания в приведенной ниже последовательности:

Отображаемая информация в интерактивном режиме:	Отображаемая информация в экономичном режиме:	Отображаемая информация в режиме преобразования частоты:	Отображаемая информация в режиме работы от батарей:	Отображаемая информация в режиме работы обходной цепи:
НОРМ. РЕЖИМ 00.00КВТ/000%	ЭКОНОМ. РЕЖИМ 00.00КВТ/000%	ПРЕОБР. ЧАСТОТЫ 00.00КВТ / 000%	ОТ БАТАРЕИ 00.00КВТ / 000%	РЕЖИМ В ОБХОД 00.00КВТ / 000%
▲ ▼	▲ ▼	▲ ▼	▲ ▼	▲ ▼
АВТОНОМНЫЙ 00КВА / 000%	АВТОНОМНЫЙ 00КВА / 000%	АВТОНОМНЫЙ 00.00КВА / 000%	АВТОНОМНЫЙ 00.00КВА / 000%	АВТОНОМНЫЙ 00.00КВА / 000%
▲ ▼	▲ ▼	▲ ▼	▲ ▼	▲ ▼
ВХОД.НАПРЯЖ. 000В / 00.0ГЦ	ВХОД.НАПРЯЖ. 000В / 00.0ГЦ	ВХОД.НАПРЯЖ. 000В / 00.0ГЦ	ВХОД.НАПРЯЖ. 000В / 00.0ГЦ	ВХОД.НАПРЯЖ. 000В / 00.0ГЦ
▲ ▼	▲ ▼	▲ ▼	▲ ▼	▲ ▼
НАПРЯЖ.ОБХОД 000В/00.0ГЦ	НАПРЯЖ.ОБХОД 000В / 00.0ГЦ	НАПРЯЖ.ОБХОД 000В / 00.0ГЦ	НАПРЯЖ.ОБХОД 000В / 00.0ГЦ	НАПРЯЖ.ОБХОД 000В / 00.0ГЦ
▲ ▼	▲ ▼	▲ ▼	▲ ▼	▲ ▼
ВЫХОД.НАПРЯЖ. 000В / 00.0ГЦ	ВЫХОД.НАПРЯЖ. 000В / 00.0ГЦ	ВЫХОД.НАПРЯЖ. 000В / 00.0ГЦ	ВЫХОД.НАПРЯЖ. 000В / 00.0ГЦ	ВЫХОД.НАПРЯЖ. 000В / 00.0ГЦ
▲ ▼	▲ ▼	▲ ▼	▲ ▼	▲ ▼
ЕМКОСТЬ БАТАРЕИ 000В / 000%	ЕМКОСТЬ БАТАРЕИ 000В / 000%	ЕМКОСТЬ БАТАРЕИ 000В / 000%	ЕМКОСТЬ БАТАРЕИ 000В / 000%	ЕМКОСТЬ БАТАРЕИ 000В / 000%
▲ ▼	▲ ▼	▲ ▼	▲ ▼	▲ ▼
ОСТ.ВРЕМЯ 0000 МИНУТ	ОСТ.ВРЕМЯ 0000 МИНУТ	ОСТ.ВРЕМЯ 0000 МИНУТ	ОСТ.ВРЕМЯ 0000 МИНУТ	ОСТ.ВРЕМЯ 0000 МИНУТ
▲ ▼	▲ ▼	▲ ▼	▲ ▼	▲ ▼
ОН-ЛАЙН 5/6КВА V00 CV01	ОН-ЛАЙН 5/6КВА V00 CV01	ОН-ЛАЙН 5/6КВА V00 CV01	ОН-ЛАЙН 5/6КВА V00 CV01	ОН-ЛАЙН 5/6КВА V00 CV01



### Нормальная работа

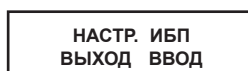
Отображаемая информация  
в параллельном режиме  
(только модель 12 кВА):



Примечание: Когда установка находится в параллельном режиме, на первой системе ИБП будет отображаться индикация «ПАРЛ. ГЛАВНЫЙ». На втором ИБП будет отображаться индикация «ПАРЛ.ПОДЧИНЕН». Если два ИБП не установили режим параллельной работы, на обоих приборах будет отображаться индикация «АВТОНОМНЫЙ».

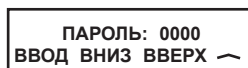
### Меню настройки ИБП

Нажать кнопки со стрелками вверх и вниз одновременно в течение 3 секунд, пока на экране не появится меню настройки, показанное ниже:



Нажать кнопку со стрелкой вверх ↑ для входа в режим настройки.

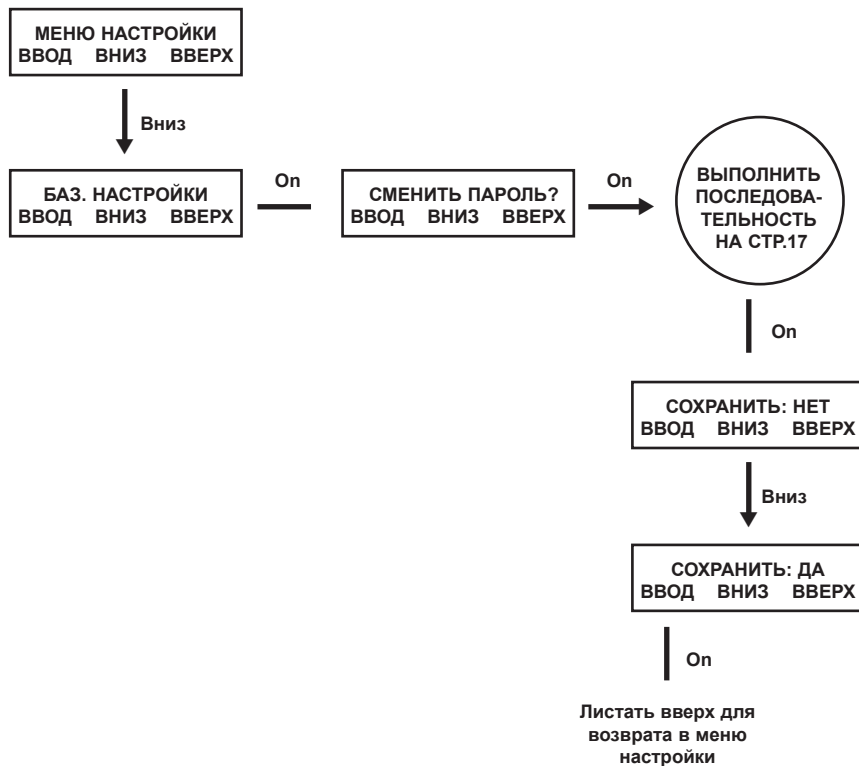
Чтобы войти в режим настройки, понадобится ввести пароль.



При нажатии кнопок со стрелками вверх ↑ или вниз ↓ числа увеличиваются или уменьшаются на 1 (от 0 до 9). Нажатием этих кнопок ввести первую цифру, затем нажать кнопку ON. Первая цифра сохранится и произойдет переход к следующей цифре пароля. Пароль лежит в диапазоне от 0000 до 9999 и должен меняться администратором. Пароль по умолчанию 1234.

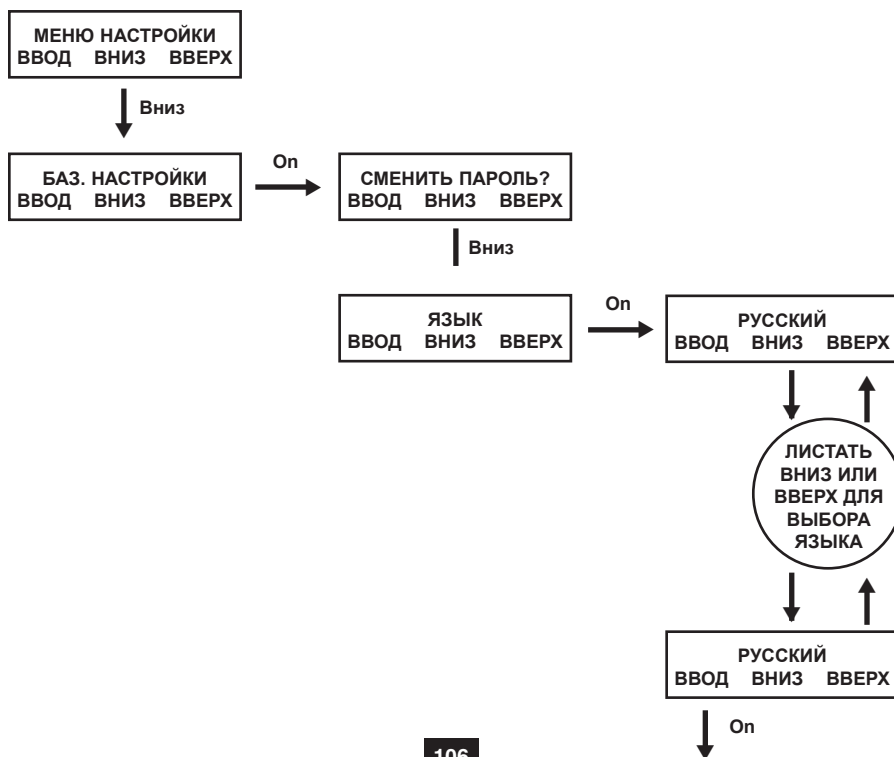
## Изменение пароля

Чтобы изменить пароль, нужно перейти в меню настройки к экрану BASIS SETTING (базовые настройки). В этом меню нажать кнопку ON, чтобы высветить экран CHANGE PASSWORD (смена пароля). На этом экране нажать кнопку ON и выполнить ранее описанные действия для задания своего пароля. После ввода пароля нажать кнопку ON, чтобы перейти к экрану SAVING (сохранить пароль). Листать вниз ↓, пока не отобразится экран SAVING:YES (сохранить: да) и нажать кнопку ON для сохранения. Листая вверх ↑, вернуться в меню настройки.



## Выбор языка отображения

Чтобы выбрать язык отображения, листать вниз для перехода к экрану BASIS SETTING (базовые настройки). Нажать кнопку ON, чтобы перейти к экрану CHANGE PASSWORD (смена пароля), и нажать стрелку вниз, чтобы перейти к экрану LANGUAGE (язык). Здесь нажать кнопку ON. Можно пролистывать вверх или вниз для поиска в списке нужного языка. Для сохранения выбранного значения нажать кнопку ON.

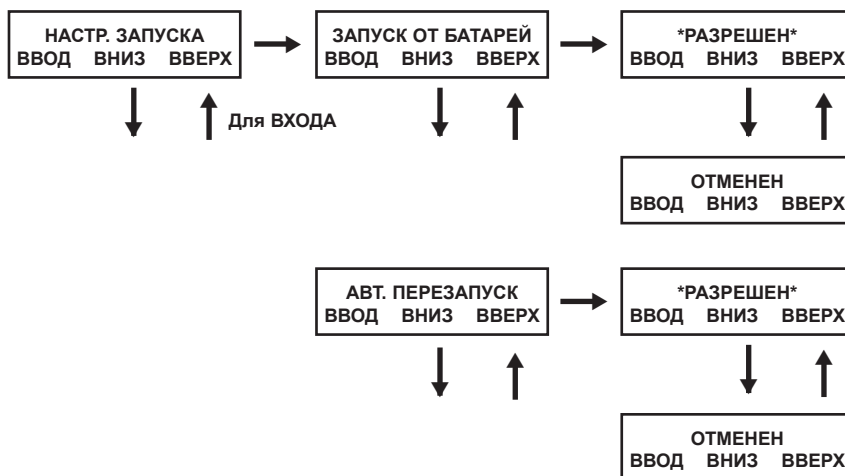


### Настройки запуска

ИБП может запускаться от батарей при отсутствии напряжения в сети. По умолчанию эта опция включена. Когда ИБП переключается на батареи, он может выполнить автоматический перезапуск, чтобы работать в интерактивном режиме, когда восстановится подача электроэнергии.

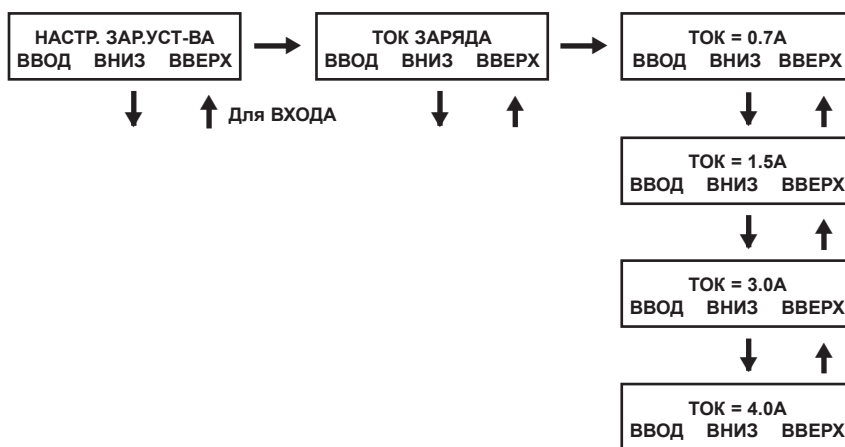
Из меню настройки SETUP MENU листать вниз ↓ для перехода к экрану START SETTING (настройки запуска). В этом меню нажать кнопку ON для перехода к экрану BATTERY START (запуск от батарей). При нажатии кнопки ON происходит переход к экрану ENABLE (разрешить). Если нажать ON, будет выбрана опция ENABLE (разрешить), а при листании вниз ↓ — опция DISABLE (отключить). При нажатии кнопки ON будет выбрана опция DISABLE, запрещающая данную функцию.

Из меню BATTERY START листать вниз ↓, чтобы перейти к экрану AUTO RESTART. При нажатии ON происходит переход к экрану ENABLE; для выбора опции ENABLE еще раз нажать ON. Листать вниз ↓ для перехода к опции DISABLE. При нажатии кнопки ON будет выбрана опция DISABLE, запрещающая данную функцию.



### Настройки зарядного устройства

Из меню настройки SETUP MENU листать вниз ↓ для перехода к экрану CHARGER SETTING (настройки зарядного устройства). Из этого меню нажать кнопку ON для перехода к экрану CHARGER CURRENT (ток заряда). Снова нажать кнопку ON. Отсюда можно листать вниз ↓ или вверх ↑, выбирая значения тока в пределах от 0,7 до 4,0 А. Для сохранения нужного значения нажать кнопку ON. Выбор по умолчанию 0,7.



Следующая таблица применяется в качестве руководства для настроек зарядного устройства на основе используемого количества батарей.

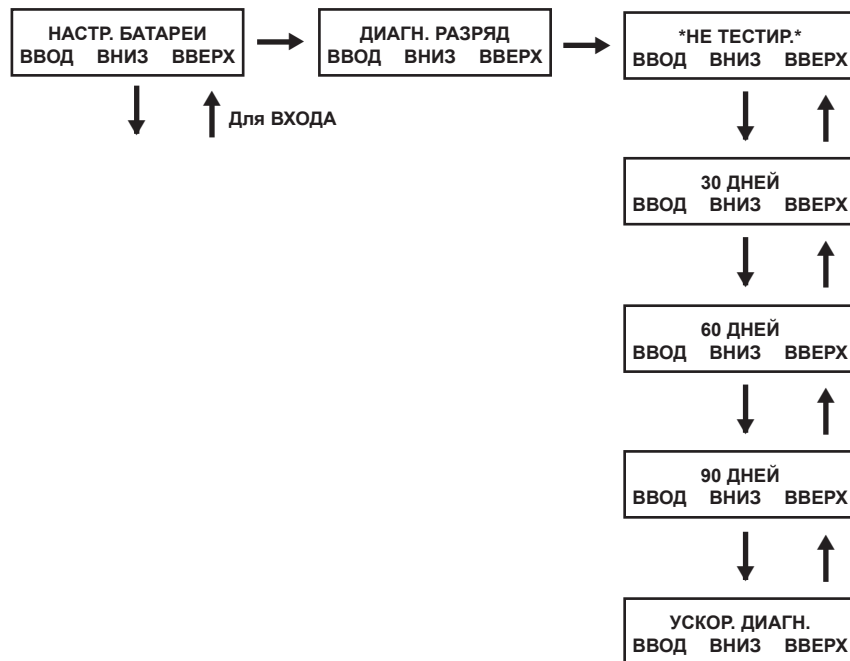
Настройка тока заряда ИБП для моделей 5/6 кВА				
Внутренний блок батарей + внешние блоки батарей	1	2	3-6	7 или больше
Настройка тока заряда	0.7А	1.5А	3.0А	4.0А

### Настройка тока заряда ИБП для модели 12 кВА

Для каждого силового модуля в составе SU12KRT4UHW используются такие же настройки тока заряда, как для моделей 5/6 кВА. Количество подключенных внешних батарей должно быть одинаковым на каждом силовом модуле SU12KRT4UHW.

### Настройки батареи

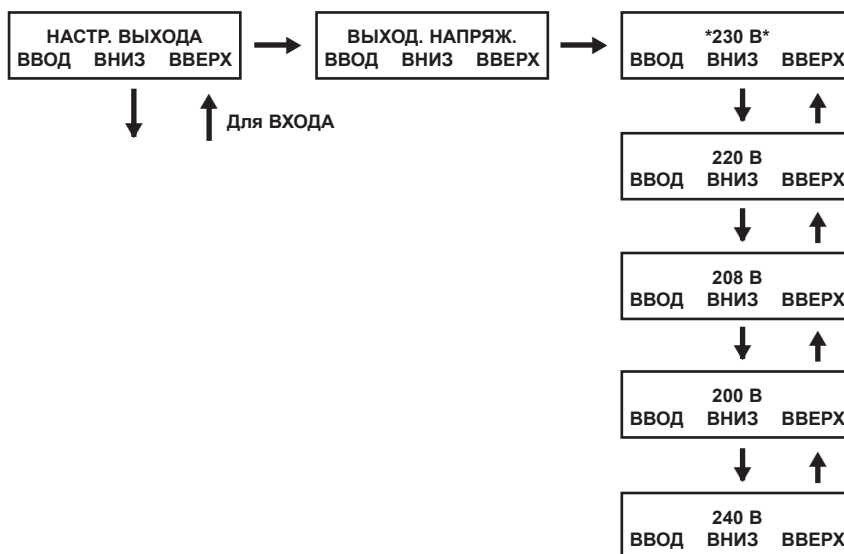
Тестирование с глубоким разрядом: используется для задания периода времени, через который производится тестирование с глубоким разрядом батареи. Из меню настройки SETUP MENU листать вниз ↓ для перехода к экрану BATTERY SETTING (настройки батареи). Нажать кнопку ON для перехода к опции DISCHARGE TEST. Здесь нажать кнопку ON. Теперь можно листать вниз ↓ или вверх ↑ для выбора значения NO TEST (не тестировать), 30, 60, 90 дней и QUICK TEST (быстрый тест). При выборе нужного временного интервала нажать ON для сохранения выбора. По умолчанию задано NO TEST.



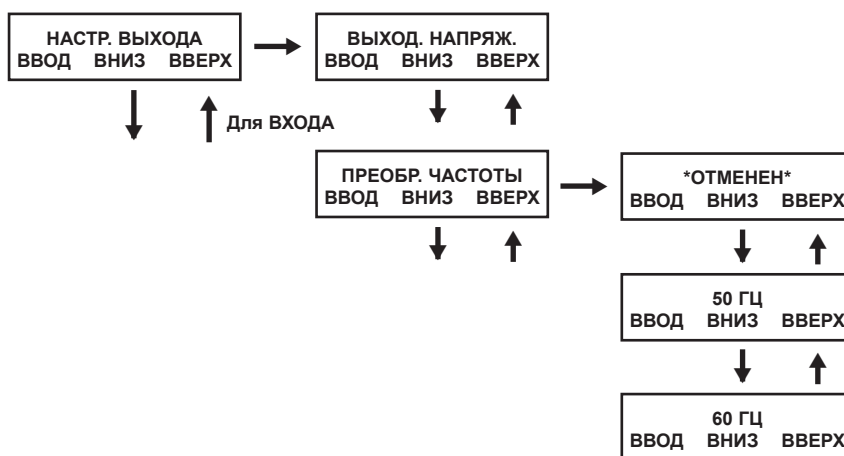
## Настройки выхода

Примечание: При любых изменениях настроек выхода требуется выключение и включение ИБП.  
 Выходное напряжение: используется для задания номинального выходного напряжения ИБП. Из меню настройки SETUP MENU листать вниз ↓ для перехода к экрану OUTPUT SETTING (настройки выхода). Нажать кнопку ON для перехода к экрану OUTPUT VOLTAGE (выходное напряжение) и снова нажать ON. Листая вниз ↓ или вверх ↑ можно выбрать одно из пяти значений: 200/208/220/230/240 В. Для сохранения нужного напряжения нажать кнопку ON.

По умолчанию установлено значение 208 В

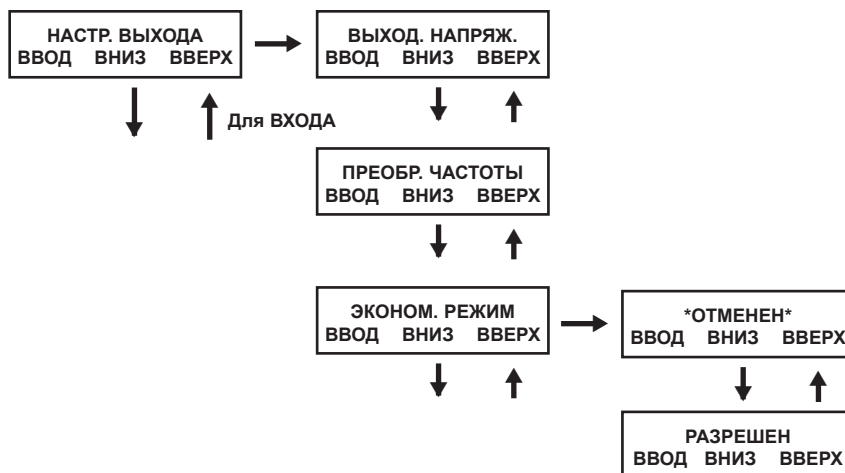


Преобразование частоты: Используется для задания режима преобразователя частоты. Из меню настройки SETUP MENU листать вниз ↓ для перехода к экрану OUTPUT SETTING (настройки выхода). Нажать ENTER для перехода к экрану OUTPUT VOLTAGE (выходное напряжение) и листать вниз ↓ для перехода к экрану FREQ CONVERTER (преобразователь частоты). Здесь нажать кнопку ON. Теперь можно листать вниз ↓ или вверх ↑ для выбора значения DISABLE (отменить), 50 и 60 Гц. Для сохранения выбранного значения нажать кнопку ON. Когда выбрана опция DISABLE, ИБП будет автоматически определять частоту входного напряжения и соответственно выбирать 50 или 60 Гц. Выбор по умолчанию DISABLE.

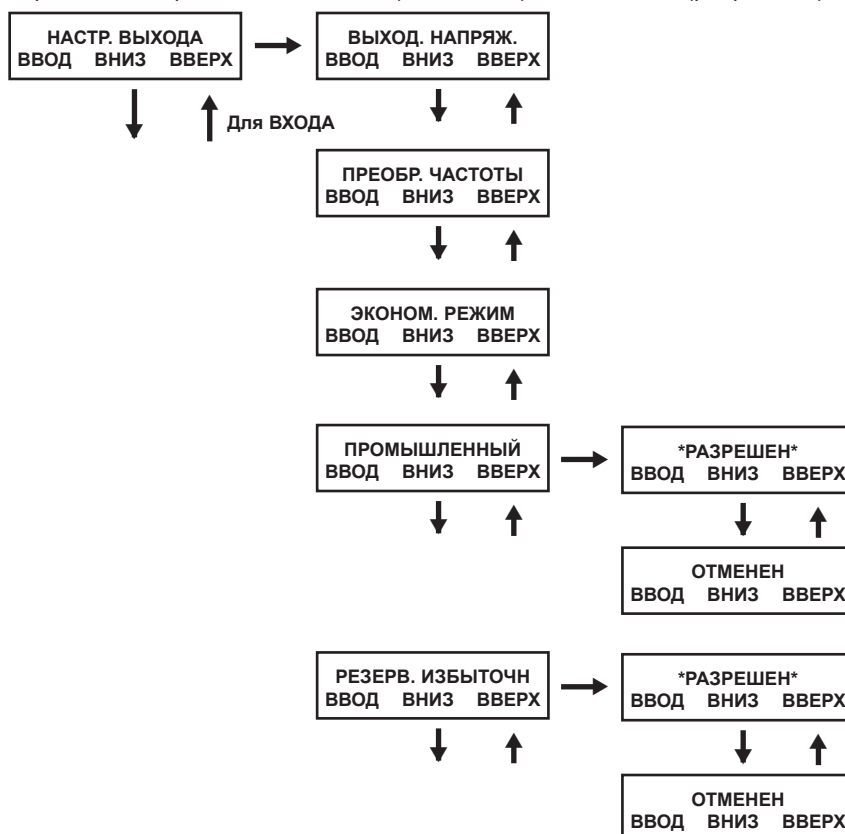


## Настройки выхода

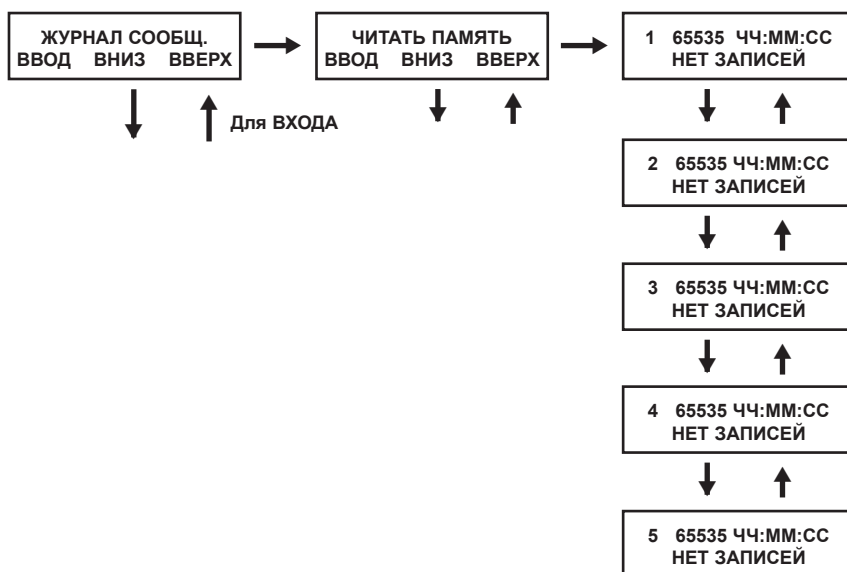
Экономичный режим: Используется для разрешения ИБП работать в энергосберегающем режиме. Когда входное напряжение находится в диапазоне +/- 10% от номинального напряжения, ИБП будет переходить в экономичный режим, чтобы улучшить эффективность энергопотребления. Из меню настройки SETUP MENU листать вниз ↓ для перехода к экрану OUTPUT SETTING (настройки выхода). Из этого меню нажать кнопку ON для перехода к экрану OUTPUT VOLTAGE (выходное напряжение), и листать вниз ↓ для перехода через экран FREQ CONVERTER (преобразователь частоты) к экрану ECO MODE (экономичный режим). Здесь нажать кнопку ON и можно листать вниз ↓ или вверх ↑ для выбора опции DISABLE (отключить) или ENABLE (разрешить). Для сохранения выбранного значения нажать кнопку ON. Установка по умолчанию DISABLE.



Промышленный режим: Используется для задания защиты ИБП по напряжению. Если опция включена и поступающее от сети напряжение и частота находятся в нормальных пределах, ИБП будет работать в интерактивном режиме. Если ИБП обнаруживает колебания выходного напряжения дольше 5 мс, ИБП перейдет на режим работы в обход и снова вернется в интерактивный режим, когда восстановятся нормальные параметры выходного напряжения. Из меню настройки STARTUP MENU листать вниз ↓ для перехода к экрану OUTPUT SETTING (настройки выхода). Здесь нажать кнопку ON для перехода к экрану OUTPUT VOLTAGE (выходное напряжение), и листать вниз ↓ для перехода к экрану INDUSTRIAL (промышленный режим). Здесь нажать кнопку ON и можно листать вниз ↓ или вверх ↑ для выбора опции DISABLE (отключить) или ENABLE (разрешить). Для сохранения выбранного значения нажать кнопку ON. По умолчанию установлено DISABLE. Листая вниз с экрана INDUSTRIAL перейти к экрану REDUNDANCY (параллельная работа с избыточностью). Здесь нажать кнопку ON и можно листать вниз или вверх для выбора опции DISABLE (отключить) или ENABLE (разрешить). Установка по умолчанию DISABLE.



Журнал аварийных сообщений ИБП

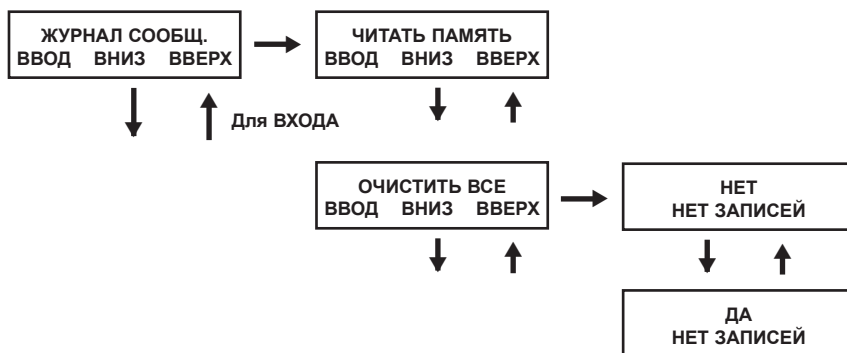


Читать из памяти: Последние 5 сообщений об ошибках, прочитанные из энергонезависимой памяти EEPROM. Ниже приведен перечень регистрируемых событий отказов:

Перечень регистрируемых событий и отказов		
DC BUS FAIL (отказ шины постоянного тока)	CHARGER BATTERY FAIL (сбой зарядного устройства)	DC BUS OVP FAIL (ошибка из-за перегрузки шины постоянного тока)
SHORT CIRCUIT (короткое замыкание)	BYPASS SCR SHORT FAIL (сбой защиты обходной цепи)	INPUT HVP RELAY SHORT FAIL (ошибка замыкания входного защитного реле)
INVERTER FAIL (сбой инвертора)	INPUT SCR SHORT FAIL (сбой защиты входной цепи)	INPUT HVP RELAY OPEN FAIL (ошибка размыкания входного защитного реле)
OVER TEMPERATURE (перегрев)	ENERGY SAVING (экономия электроэнергии)	NTC OPEN FAIL (неисправность защитного термистора)
OUTPUT SCR FAIL (сбой защиты выходной цепи)	OUTPUT HAS VOLTAGE (опасное выходное напряжение)	LOW TEMP FAIL (ошибка из-за низкой температуры)
OVERLOAD (Перегрузка)	INPUT FUSE FAIL (отказ входного предохранителя)	
FAN FAIL (отказ вентилятора)	OUTPUT FUSE FAIL (отказ выходного предохранителя)	

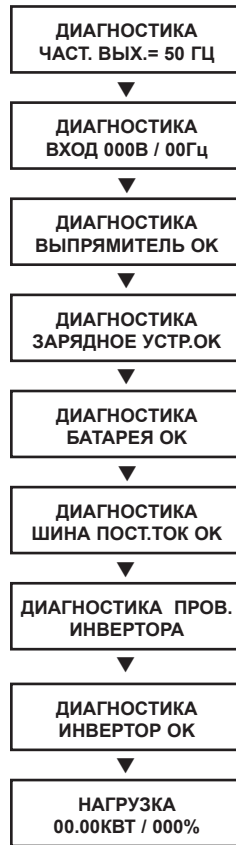
Из меню настройки SETUP MENU листать вниз ↓ для перехода к экрану UPS ALARM LOG (журнал аварийных сообщений ИБП). Нажать кнопку ON для перехода к экрану READ FROM MEMORY (чтение из памяти) и снова нажать ON. Здесь можно листать вниз ↓ или вверх ↑, чтобы прочитать последние 5 сообщений об ошибках. Нажать кнопку ON для выхода из этого меню.

Стереть все: Используется для удаления записей в журнале регистрации событий. Из меню настройки STARTUP MENU листать вниз ↓ для перехода к экрану UPS ALARM LOG (журнал аварийных сообщений ИБП). Из этого меню нажать кнопку ON для перехода к экрану READ FROM MEMORY (чтение из памяти) и листать вниз ↓ для выбора опции ERASE ALL (стереть все). Листая вниз ↓ или вверх ↑ можно выбрать вариант Yes (да) и No (нет). Для сохранения выбранного значения нажать кнопку ON. Будет показан экран подтверждения SURE? (уверены?). Нажать кнопку ON для сохранения или листать для выбора других опций.

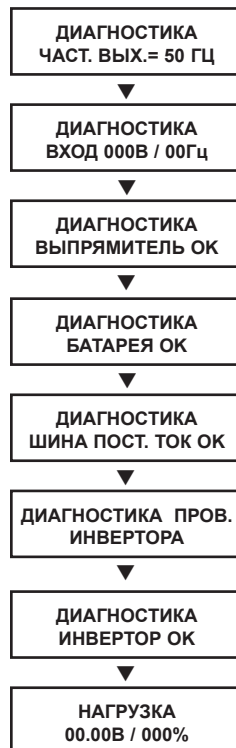


### Индикация в процессе самодиагностики

Во время запуска от сети будет показана следующая последовательность сообщений:



Во время запуска от батареи будет показана следующая последовательность сообщений:





## Эксплуатация (продолжение)

### Сообщения о причине аварийного выключения ИБП

СИТУАЦИЯ	СООБЩЕНИЯ НА ЖК ДИСПЛЕЕ
+BUS >450 В	+DC BUS HIGH SHUTDOWN (выключение из-за высокого напряжения на шине постоянного тока)
Нагрузка <100%: +BUS < 320 В; нагрузка >100%: +BUS <290 В	+DC BUS LOW SHUTDOWN (выключение из-за низкого напряжения на шине постоянного тока)
-BUS >450 В	-DC BUS HIGH SHUTDOWN (выключение из-за высокого напряжения на шине постоянного тока)
Нагрузка <100%: -BUS < 320 В; нагрузка >100%: -BUS <290 В	-DC BUS LOW SHUTDOWN (выключение из-за низкого напряжения на шине постоянного тока)
Напряжение на шине превышает 500 В	BUS OVP FAIL SHUTDOWN (выключение из-за ошибки, вызванной перегрузкой шины постоянного тока)
Короткое замыкание выходной цепи	OUTPUT SHORT SHUTDOWN (выключение из-за короткого замыкания выходной цепи)
Перегрев ИБП	OVER TEMPERATURE SHUTDOWN (выключение из-за перегрева)
Сбой защиты выходной цепи	OUTPUT SCR FAIL SHUTDOWN (выключение из-за сбоя защиты выходной цепи)
Перегрузка выхода	OVERLOAD SHUTDOWN (выключение из-за перегрузки выходной цепи)
Сбой защиты обходной цепи	BYPASS SCR FAIL SHUTDOWN (выключение из-за сбоя защиты обходной цепи)
Сбой защиты входного выпрямителя	RECTIFIER FAIL SHUTDOWN (выключение из-за ошибки выпрямителя)
Ошибка выходного напряжения инвертора	INVERTER SHUTDOWN (выключение инвертора)
Разрыв входного предохранителя	I/P FUSE BROKEN SHUTDOWN (выключение из-за разрыва входного предохранителя)
Разрыв выходного предохранителя	O/P FUSE BROKEN SHUTDOWN (выключение из-за разрыва выходного предохранителя)
Потерян идентификатор параллельного блока	PARALLEL FAULT SHUTDOWN (выключение из-за ошибки параллельного устройства)

### Сигнал тревоги при работе от батарей

Когда ИБП работает от батарей, силовой модуль ИБП будет издавать звуковой сигнал, чтобы информировать пользователя об использовании энергии батарей для питания подключенного оборудования. Когда подключенные батареи израсходовали менее половины емкости, сигнал звучит каждые две секунды. Если израсходовано больше половины емкости батарей, сигнал звучит два раза в секунду. Когда батареи почти разряжены, силовой модуль ИБП будет сигнализировать непрерывно.

Чтобы отключить звуковой сигнал тревоги, нужно нажать кнопку «ON/MUTE».

### Сообщение о перегрузке

Когда ИБП обнаруживает перегрузку выходных цепей, на ЖК дисплее будет показано следующее сообщение:

**ПЕРЕГРУЗКА!**  
НАГР. = XXX% X.XXкВт

Затем ИБП начнет процедуру автоматического выключения. Если до завершения обратного отсчета ИБП все еще перегружен, то он автоматически перейдет в режим обходной цепи, чтобы защитить свой инвертор. Длительность обратного отсчета изменяется в зависимости от уровня перегрузки следующим образом:

Ситуация перегрузки	Длительность обратного отсчета
106% - 125%	1 минута
126% - 150%	30 секунд
>150%	Немедленно

### Сообщение при работе в обход

Во время работы в режиме обходной цепи ИБП контролирует входное напряжение и передает его на подключенное оборудование. В режиме обходной цепи ИБП не может обеспечивать резервное питание от батарей.

Если выходное напряжение отклоняется от приемлемого значения (в пределах 15% выше и 20% ниже номинала), ИБП отображает состояние на ЖК дисплее и прекращает подачу питания на свою нагрузку. Если параметры питания возвращаются к приемлемому уровню, ИБП восстанавливает подачу питания к нагрузке, а на его ЖК дисплее появляется сообщение о том, что выходное напряжение однократно было слишком высоким или слишком низким, но вернулось к номинальному значению.

НАПРЯЖЕНИЕ ПРИ РАБОТЕ ОБХОДНОЙ ЦЕПИ	СООБЩЕНИЯ НА ЖК ДИСПЛЕЕ
Выше номинала >15%	ОБХОД. НЕТ НОМ.НАПР. XXXВ / XX.X ГЦ
Ниже номинала >20%	ОБХОД. НЕТ НОМ.НАПР. XXXВ / XX.X ГЦ

### Сообщения при выключении

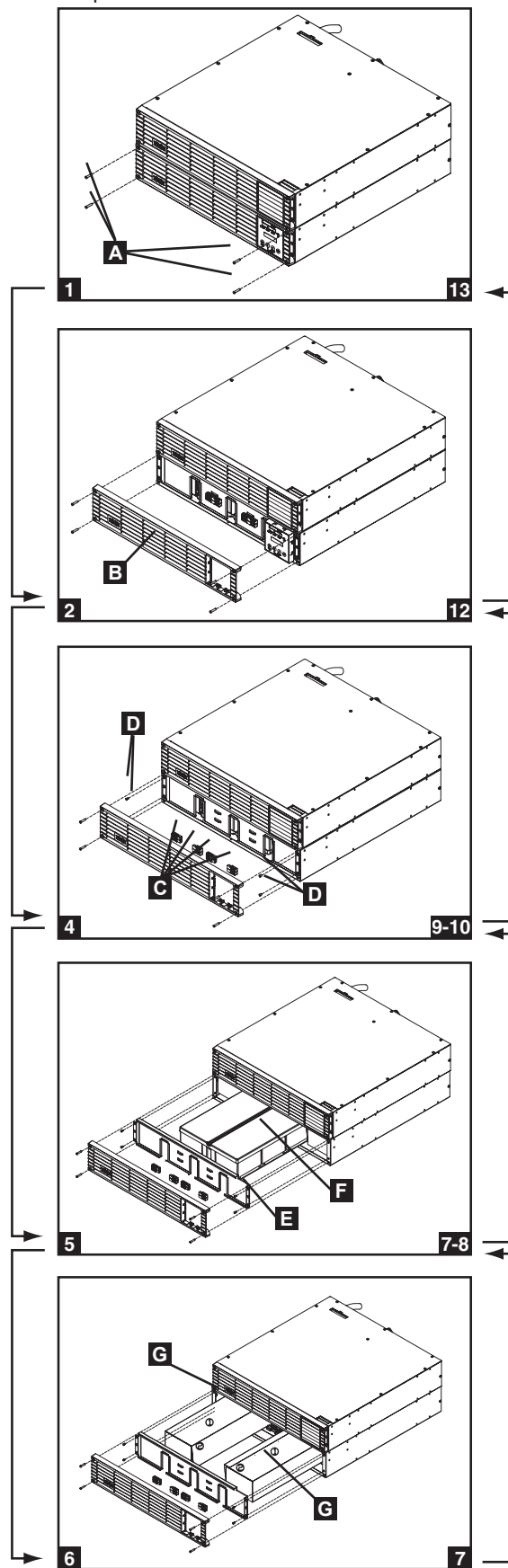
При обнаружении одного из следующих условий ИБП будет отключен, и на ЖК дисплее будет отображаться соответствующее сообщение. Примечание: Во всех этих ситуациях светодиоды «Input», «Output» и «Bypass» будут гореть.

СИТУАЦИИ ДЛЯ ВЫКЛЮЧЕНИЯ	СООБЩЕНИЯ НА ЖК ДИСПЛЕЕ
Длительная перегрузка	ВЫКЛЮЧЕНИЕ ПЕРЕГРУЗКА XXX%
Короткое замыкание выходной цепи	ВЫКЛЮЧЕНИЕ КОР.ЗАМ.ВЫХ.ЦЕПИ
Сбой защиты обходной цепи	ВЫКЛЮЧЕНИЕ СБОЙ ЗАЩ.ОБХОД.
Сбой защиты входного выпрямителя	ВЫКЛЮЧЕНИЕ СБОЙ ЗАЩ.ВЫПРЯМ
Короткое замыкание выхода инвертора	ВЫКЛЮЧЕНИЕ СБОЙ ИНВЕРТОРА
Сбой защиты выходной цепи	ВЫКЛЮЧЕНИЕ СБОЙ ЗАЩ.ВЫХОДА
Разрыв входного предохранителя	ВЫКЛЮЧЕНИЕ ОТКАЗ ВХ.ПРЕДОХР
Разрыв выходного предохранителя	ВЫКЛЮЧЕНИЕ ОТКАЗ ВЫХ.ПРЕДОХР
Сбой параллельного подключения	ВЫКЛЮЧЕНИЕ СБОЙ ПАРАЛЛЕЛЬН.
Внутренние ошибки	ВЫКЛЮЧЕНИЕ ПОВЫШ.НАПР.ПОСТ.Т
	ВЫКЛЮЧЕНИЕ ПОНИЖ.НАПР.ПОСТ.Т
	ВЫКЛЮЧЕНИЕ ПОВЫШ.НАПР.ПОСТ.Т
	ВЫКЛЮЧЕНИЕ ПОНИЖ.НАПР.ПОСТ.Т
	ВЫКЛЮЧЕНИЕ ПЕРЕГР.Ш.ПОСТ.Т
	ВЫКЛЮЧЕНИЕ ПЕРЕГРЕВ

## Замена внутренней батареи

В нормальных условиях эксплуатации оригинальные батареи в ИБП служат несколько лет. Перед заменой батарей ознакомьтесь с разделом по безопасности. Батареи предназначены для «горячей» замены (т.е., когда система ИБП находится в режиме эксплуатации). Тем не менее, квалифицированный специалист, вызванный для проведения ТО, вправе потребовать выключить систему ИБП и отсоединить подключенное к ней оборудование в качестве дополнительной меры предосторожности. Перед началом процесса установки рекомендуется снять батареи.

- 1 Удалить винты **A**, которыми крепится декоративная панель.
- 2 Снять декоративную панель **B** с передней панели ИБП.
- 3 Снять защитные колпачки с клемм батареи. Сохранить эти колпачки для повторного использования.
- 4 Отсоединить разъемы **C** и удалить винты **D**, которые крепят стопорные планки.
- 5 Снять стопорную планку **E** и вытащить среднюю батарею **F**.
- 6 Вытащить боковые блоки батарей **G**.
- 7 Заменить блоки батарей **F** и **G**.
- 8 Установить стопорную планку **E**.
- 9 Установить винты **D** и закрепить стопорную планку.
- 10 Подключить разъемы **C**. При подключении проследить за соблюдением полярности.
- 11 Вернуть на место защитные колпачки клемм батареи.
- 12 Вернуть на место декоративную панель **B**.
- 13 Установить винты **A** и закрепить декоративную панель.



## Хранение и обслуживание

### Хранение

Перед началом хранения ИБП он должен быть полностью выключен. Если предполагается хранение ИБП в течение длительного времени, нужно заряжать батареи ИБП от 4 до 6 часов каждые три месяца. Примечание: после подключения ИБП к сети электропитания он автоматически начнет заряжать батареи. Если оставить батареи ИБП разряженными длительное время, они будут подвержены необратимой порче.

### Обслуживание

На продукцию компании Tripp Lite дается ограниченная гарантия, условия которой изложены в настоящем Руководстве пользователя. На продукцию компании Tripp Lite дается ограниченная гарантия, условия которой изложены в настоящем Руководстве пользователя. Для получения более подробной информации о сервисном обслуживании посетите веб-сайт компании [www.tripplite.com/support](http://www.tripplite.com/support). Перед возвратом продукции для обслуживания, выполните следующие действия:

1. Просмотрите инструкции по установке и эксплуатации, изложенные в настоящем руководстве, чтобы убедиться, что проблемы происходят не из-за неправильного понимания инструкций.
2. Если проблема сохраняется, не обращайтесь и не возвращайте инвертор/зарядное устройство торговому посреднику. Или же посетите веб-сайт [www.tripplite.com/support](http://www.tripplite.com/support).
3. Если для решения проблемы требуется ремонт, посетите веб-сайт [www.tripplite.com/support](http://www.tripplite.com/support) и перейдите по ссылке Product Returns (возврат продукции). Здесь можно сделать запрос о номере разрешения на возврат (RMA), который необходим для ремонта. В этой простой интерактивной форме нужно будет заполнить номер модели устройства и его серийный номер, а также общую информацию о покупателе. Номер RMA вместе с инструкциями по отправке будет выслан по электронной почте. Любые повреждения продукции (прямые, косвенные, умышленные или побочные), полученные в результате транспортировки в компанию Tripp Lite или в уполномоченный сервисный центр, гарантией не покрываются. Транспортировка продукции в компанию Tripp Lite или авторизованный сервисный центр должна быть оплачена отправителем. На внешней стороне упаковки нанесите номер разрешения на возврат. Если продукт находится на гарантии, вложите копию чека или документа на приобретение. Доставку продукции для обслуживания осуществляйте через застрахованных перевозчиков по адресу, полученному вместе с разрешением на возврат.

## Гарантийные обязательства

### Ограниченная 2-летняя гарантия

Настоящим продавец подтверждает, что данное изделие не имеет первичных дефектов, связанных со свойствами материала или качеством изготовления, и гарантирует его исправную работу в течение 2-х лет с момента первоначальной продажи при условии соблюдения пользователем прилагаемых рекомендаций (исключение составляют внутренние батареи системы ИБП за пределами США и Канады, 1 год). В случае выявления дефектов, связанных со свойствами материала или качеством изготовления данного изделия в течение указанного периода, продавец обязуется, по своему усмотрению, провести за свой счет его ремонт или замену. Обслуживание по данному гарантийному обязательству может быть получено при условии доставки или отгрузки продукта (при условии предоплаты всех затрат по доставке или отгрузке) по адресу: Tripp Lite, 1111 Запад, 35-я улица, Чикаго, Иллинойс 60609, США. Продавец оплачивает затраты по отправке обратно. Перед отправкой любого оборудования на ремонт посетите веб-сайт [www.tripplite.com/support](http://www.tripplite.com/support).

ЭТА ГАРАНТИЯ НЕ РАСПРОСТРАНЯЕТСЯ НА НОРМАЛЬНЫЙ ИЗНОС ИЛИ ПОВРЕЖДЕНИЕ ПРОДУКТА В РЕЗУЛЬТАТЕ АВАРИИ, НЕПРАВИЛЬНОГО ИСПОЛЬЗОВАНИЯ, НЕБРЕЖНОГО ОБРАЩЕНИЯ ИЛИ ПРЕНЕБРЕЖЕНИЯ ПРАВИЛАМИ ЭКСПЛУАТАЦИИ. ПРОДАВЕЦ НЕ ПРЕДОСТАВЛЯЕТ НА ДАННОЕ ИЗДЕЛИЕ ИНЫХ ГАРАНТИЙ, ПОМИМО ПРЯМО ПЕРЕЧИСЛЕННЫХ В НАСТОЯЩЕМ ДОКУМЕНТЕ. КРОМЕ СЛУЧАЕВ, ОСОБО ОГОВОРЕННЫХ ПРИМЕНИМЫМ ЗАКОНОДАТЕЛЬСТВОМ, ДЕЙСТВИЕ ВСЕХ ПОДРАЗУМЕВАЕМЫХ ГАРАНТИЙ, ВКЛЮЧАЯ ГАРАНТИИ ПРИГОДНОСТИ ДЛЯ ПРОДАЖИ И ПРИГОДНОСТИ К ИСПОЛЬЗОВАНИЮ, ОГРАНИЧЕНО РАМКАМИ УКАЗАННОГО ВЫШЕ ГАРАНТИЙНОГО СРОКА, КРОМЕ ТОГО, ДЕЙСТВИЕ НАСТОЯЩЕЙ ГАРАНТИИ НЕ РАСПРОСТРАНЯЕТСЯ НА СЛУЧАЙНЫЕ ИЛИ ПОСЛЕДУЮЩИЕ ПОВРЕЖДЕНИЯ. (Применимое законодательство некоторых штатов запрещает ограничение срока действия подразумеваемой гарантии; в других штатах закон запрещает исключение или ограничение действия гарантии в отношении случайных или последующих повреждений. В связи с этим, вышеперечисленные ограничения и исключения действия настоящей гарантии могут оказаться неприменимыми в вашем конкретном случае. Настоящая гарантия предоставляет вам определенные юридические права, которые могут быть дополнены другими правами в зависимости от юрисдикции). Tripp Lite; 1111 W.35th Street; Chicago IL 60609; USA

ВНИМАНИЕ: Перед использованием настоящего изделия каждый пользователь должен самостоятельно определить степень его пригодности для предполагаемого применения, а также степень безопасности такого применения. Так как настоящее изделие имеет множество индивидуальных применений, производитель не дает гарантийных обязательств в отношении пригодности настоящих устройств для тех или иных конкретных применений.

#### Идентификационные номера, свидетельствующие о соответствии нормативным требованиям

С целью идентификации, а также сертификации соответствия нормативным требованиям, приобретенному Вами изделию компании Tripp Lite присвоен уникальный серийный номер. Серийный номер, вместе со всей необходимой информацией и маркировками об одобрении, указан на ярлыке изготовителя, прикрепленном к изделию. При запросе информации о соответствии нормативным требованиям всегда сообщайте серийный номер изделия. Не следует путать серийный номер с маркой или номером модели изделия.

#### Информация о соблюдении требований директивы WEEE для клиентов Tripp Lite и перерабатывающих организаций (Европейский союз)

Согласно директиве ЕС об отходах электрического и электронного оборудования (WEEE) и применимым нормам в случаях, когда покупатели приобретают новое электрическое и электронное оборудование компании Tripp Lite, они имеют право на следующее:

- Отправку старого оборудования, которое является эквивалентным по количеству и идентичным полученному новому оборудованию, на утилизацию (это условие может отличаться в зависимости от страны)
- Отправку нового оборудования обратно на утилизацию, когда оно в конечном итоге становится изношенным

Политика компании Tripp Lite направлена на постоянное улучшение качества продукции и услуг. Технические характеристики могут быть изменены без уведомления.



1111 W. 35th Street, Chicago, IL 60609 USA • [www.tripplite.com/support](http://www.tripplite.com/support)

201207113 • 933070-RU Rev C