

**WARRANTY
REGISTRATION:**
register online today for a
chance to win a FREE Tripp Lite
product—www.tripplite.com/warranty



Owner's Manual

SmartOnline™ Single-Phase 8kVA—10kVA

Intelligent True On-Line UPS Systems (Rackmount/Tower)

- Includes power module, external battery module and PDU
- Detachable PDU features outlets and maintenance bypass switch* • Rackmount and tower adaptable

*An optional detachable hardwire PDU is available; contact Tripp Lite for details.

Not suitable for mobile applications.

Important Safety Warnings	2
Mounting	3
Features	4
Connection	6
Optional Connection	8
Manual Bypass Operation	9
Specifications	11
Operation	12
Storage and Service	26
Warranty and Warranty Registration	26
Español	27
Français	53
Русский	79



1111 W. 35th Street, Chicago, IL 60609 USA
www.tripplite.com/support

Copyright © 2011 Tripp Lite. All rights reserved. SmartOnline is a trademark of Tripp Lite.

Important Safety Warnings



SAVE THESE INSTRUCTIONS. This manual contains important instructions and warnings that should be followed during the installation and maintenance of all Tripp Lite SmartOnline Rackmount/Tower UPS Systems and their batteries. Failure to heed these warnings may affect your warranty.

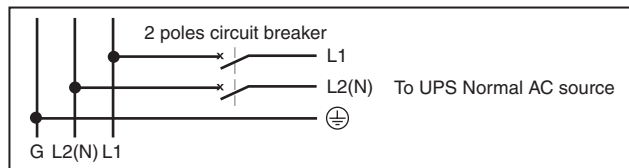
UPS Location Warnings

- Install your UPS indoors, away from excess moisture or heat, direct sunlight, dust and conductive contaminants.
- Install your UPS in a structurally sound area. Your UPS is extremely heavy; take care when moving and lifting the unit.
- Only operate your UPS at indoor temperatures between 32° F and 104° F (between 0° C and 40° C). For best results, keep indoor temperatures between 62° F and 84° F (between 17° C and 29° C).
- Leave adequate space around all sides of the UPS for proper ventilation.
- Do not install the UPS near magnetic storage media, as this may result in data corruption.
- **Do not mount unit with its front or rear panel facing down (at any angle). Mounting in this manner will seriously inhibit the unit's internal cooling, eventually causing product damage not covered under warranty.**

UPS Connection Warnings

- Isolate the UPS before working on this circuit.
- Required Protective Devices and Cable Cross-Sections.
Recommended upstream protection.

UPS Power Rating	Upstream Circuit Breaker
8kVA	D curve -63A
10kVA	D curve -83A



- The power supply for this unit must be single-phase rated in accordance with the equipment nameplate. It also must be suitably grounded.

Equipment Connection Warnings

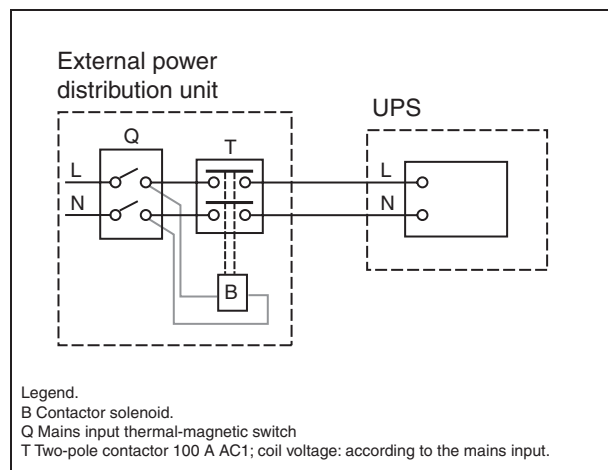
- Use of this equipment in life support applications where failure of this equipment can reasonably be expected to cause the failure of the life support equipment or to significantly affect its safety or effectiveness is not recommended. Do not use this equipment in the presence of a flammable anesthetic mixture with air, oxygen or nitrous oxide.
- Connect your UPS power module's grounding terminal to a grounding electrode conductor.
- The UPS is connected to a DC energy source (battery). The output terminals may be live when the UPS is not connected to an AC supply.

Maintenance Warnings

- Your UPS power module and battery module(s) do not require routine maintenance. Do not open them for any reason. There are no user-serviceable parts inside.

Battery Warnings

- Do not operate your UPS without connecting it to an external battery module.
- Connect only Tripp Lite battery modules to your UPS power module's external battery connector.
- Batteries can present a risk of electrical shock and burn from high short-circuit current. Observe proper precautions. Do not dispose of the batteries in a fire. Do not open the UPS or batteries. Do not short or bridge the battery terminals with any object. Unplug and turn off the UPS before performing battery replacement. Use tools with insulated handles. There are no user-serviceable parts inside the UPS. Battery replacement should be performed only by authorized service personnel using the same number and type of batteries (Sealed Lead-Acid). The batteries are recyclable. Refer to your local codes for disposal requirements or in the USA only call 1-800-SAV-LEAD or 1-800-8-BATTERY (1-800-822-8837) or visit www.rbc.com for recycling information. Tripp Lite offers a complete line of UPS System Replacement Battery Cartridges (R.B.C.). Visit Tripp Lite on the Web at www.tripplite.com/support/battery/index.cfm to locate the specific replacement battery for your UPS.
- Do not open or mutilate the batteries. Released electrolyte is harmful to the skin and eyes, and may be toxic.
- Fuses should be replaced only by factory authorized personnel. Blown fuses should be replaced only with fuses of the same number and type.
- Service and repair should be done only by trained personnel. During any service work to the UPS, it should be turned off or manually bypassed via the transformer. Note that potentially lethal voltages exist within this unit as long as the battery supply is connected.
- Do not connect or disconnect battery module(s) while the UPS is operating from the battery supply or when the detachable PDU is not in bypass mode.
- During "hot-swap" battery module replacement your UPS will be unable to provide battery backup in the event of a blackout.
- Only connect compatible battery module(s).



Remark: Q needs to use the approved component of Safety Certification.

Mounting (Rack)

Mount your equipment in either a 4-post or 2-post rack or rack enclosure. The user must determine the fitness of hardware and procedures before mounting. If hardware and procedures are not suitable for your application, contact the manufacturer of your rack or rack enclosure. The procedures described in this manual are for common rack and rack enclosure types and may not be appropriate for all applications.

Note: The power module and battery module must be installed in separate shelves.

4-Post Mounting

1 The included plastic pegs **A** will temporarily support the empty rackmount shelves **B** while you install the permanent mounting hardware. Insert a peg near the center of the front and rear bracket of each shelf as shown. (Each front bracket has 6 holes and each rear bracket has 3 holes.) The pegs will snap into place.

After installing the pegs, expand each shelf to match the depth of your rack rails. The pegs will fit through the square holes in the rack rails to support the shelves. Refer to the rack unit labels to confirm that the shelves are level in all directions. **Note: The support ledge of each shelf must face inward.**

2 Secure the shelves **B** to the mounting rails permanently using the included screws and cup washers **C** as shown.

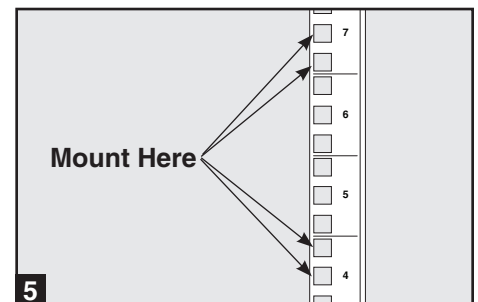
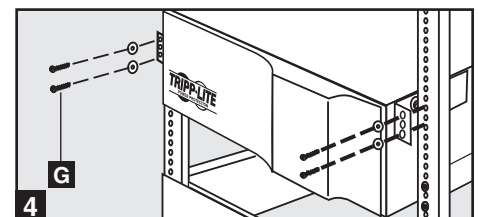
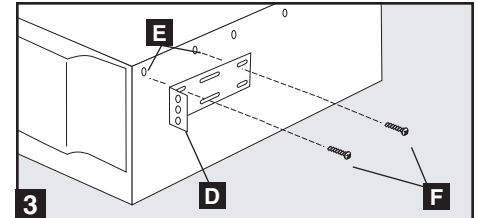
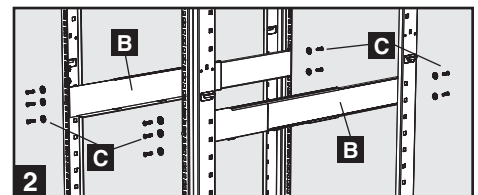
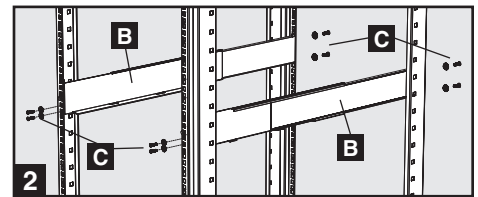
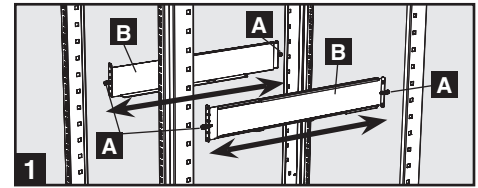
- For 2U equipment mounting, place 4 screws total at the front and 4 screws total at the back.
 - For 3U equipment mounting, place 6 screws total at the front and 4 screws total at the back.
- Tighten all screws before proceeding.

Warning: Do not attempt to install your equipment until you have inserted and tightened the required screws. The plastic pegs will not support the weight of your equipment.

3 Attach mounting ears **D** to the front mounting holes of your equipment **E** using the screws provided **F**. The ears should face forward.

4 Using an assistant, lift your equipment and slide it onto the mounting shelves. Attach your equipment to the rack by passing the screws, nuts and washers (user-provided) **G** through its mounting ears and into the rack rails.

5 (Optional) Attach 2 PDU hanger brackets to the right-side, rear mounting rail using included screws and cage nuts. Important: determining where to attach your PDU hanger brackets will depend on your rack configuration. Generally it is recommended to mount the top bracket in the bottom two square holes of the U space that the UPS and PDU are mounted in. The second bracket should be installed 3U measures down and placed in the top two square holes of the U. (For example: If the PDU and UPS are mounted in 7U, the first bracket will be installed in the bottom two square holes of 7U. The second bracket would be installed in the top two square holes of 4U.)



2-Post Mounting (Optional)

To mount your equipment in a 2-post rack, you must purchase a Tripp Lite 2-Post Rackmount Installation Kit (model: 2POSTRMKITWM, sold separately) for each module installed. See the Installation Kit's owner's manual for complete mounting instructions.

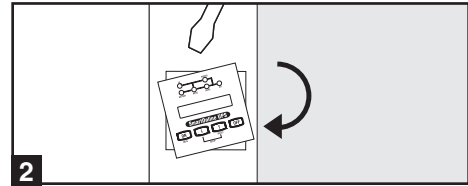
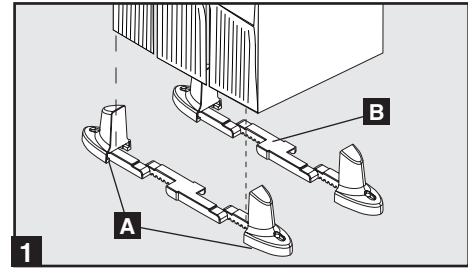
Mounting (Tower)

Mount all modules in an upright, tower position using included base stands. The user must determine the fitness of hardware and procedures before mounting.

1 The UPS system is shipped with two sets of plastic feet **A** and extensions **B** that can be used to tower mount the UPS's power module, a battery module and a second battery module (9U total).

Adjust the feet to a width of 10.25 inches (26 cm) for a UPS power module and battery module, or to a width of 15.375 inches (39 cm) for three units. Align the feet in your installation area, approximately 10 inches (26 cm) apart. Have one or more assistants help you place the units on their sides in the feet. The control panel of the UPS should be the UPS's upper corner and face outward.

2 Rotate the power module's Control Panel to view it easier while the UPS is tower mounted. Insert a small screwdriver, or other tool, in the slots on either side of the Control Panel. Pop the panel out; rotate it; and pop the panel back into place.

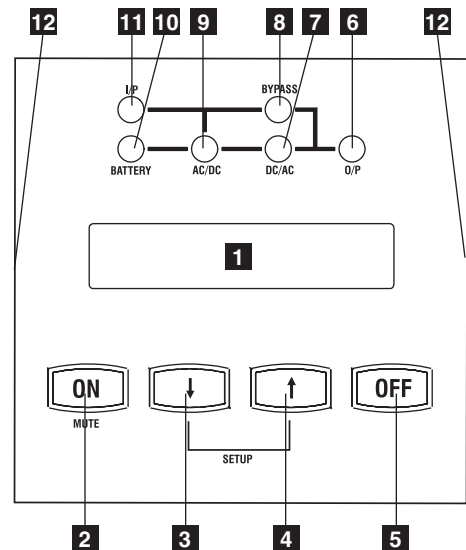


Features

Before installing and operating your UPS, familiarize yourself with the location and function of the features of each component.

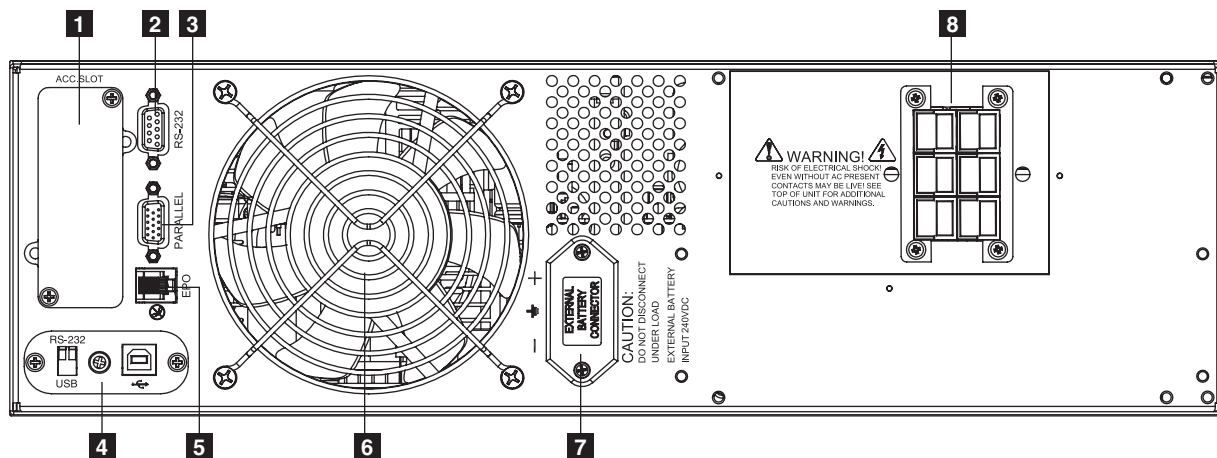
Power Module Front Panel Controls

- 1** **LCD DISPLAY:** This backlit (16 × 2 character) dot matrix display indicates a wide range of UPS operating conditions and diagnostic data. It also displays UPS settings and options when the UPS is in setup mode.
- 2** **ON/MUTE BUTTON:** Press this button and hold it until you hear a beep to turn the UPS system's inverter ON. If the UPS's battery alarm is sounding, press this button to silence it.
- 3** **SCROLL DOWN/EXIT SETUP BUTTON:** This button allows you to browse through different options and power readings on the LCD display. Momentarily pressing it causes the LCD screen to display a different power reading (see "Operation", pg. 12). Pressing it and the SCROLL UP Button together puts the UPS in setup mode, where this button is used to scroll through setup options and to exit setup mode.
- 4** **SCROLL UP/SELECT BUTTON:** This button allows you to browse through different options and power readings on the LCD display. Momentarily pressing it causes the LCD screen to display a different power reading (see "Operation Section", pg. 17). Pressing it and the SCROLL DOWN Button together puts the UPS in setup mode, where this button is used to select setup options.
- 5** **OFF BUTTON:** Press this button until you hear a beep to turn the UPS system's inverter OFF.
- 6** **O/P (OUTPUT) LED:** This green light will illuminate to indicate your UPS is supplying AC power to connected equipment.
- 7** **DC/AC (INVERTER) LED:** This green light will illuminate to indicate the UPS's DC/AC inverter is activated.
- 8** **BYPASS LED:** This green light will illuminate when the UPS is providing filtered mains power without engaging its converter or inverter. If this LED is lit, connected equipment will not receive battery power in the event of a blackout, unless the Economy Mode feature is enabled.
- 9** **AC/DC (Converter) LED:** This green light will illuminate to indicate the UPS's AC/DC converter is charging the connected battery pack(s).
- 10** **BATTERY LED:** This green light will illuminate when the UPS is discharging the battery to provide connected equipment with AC power. An alarm will sound which can be silenced by pressing the ON/MUTE Button. This LED will remain lit after the alarm is silenced.
- 11** **I/P (INPUT) LED:** This green light will illuminate to indicate an AC input supply is present.
- 12** **ACCESS SLOTS:** To rotate the controls, insert a flathead screwdriver into these slots and gently lever the panel out. Taking care not to excessively twist or yank the cables connecting the controls to the rest of the UPS, turn the controls to the desired orientation and reinsert them.

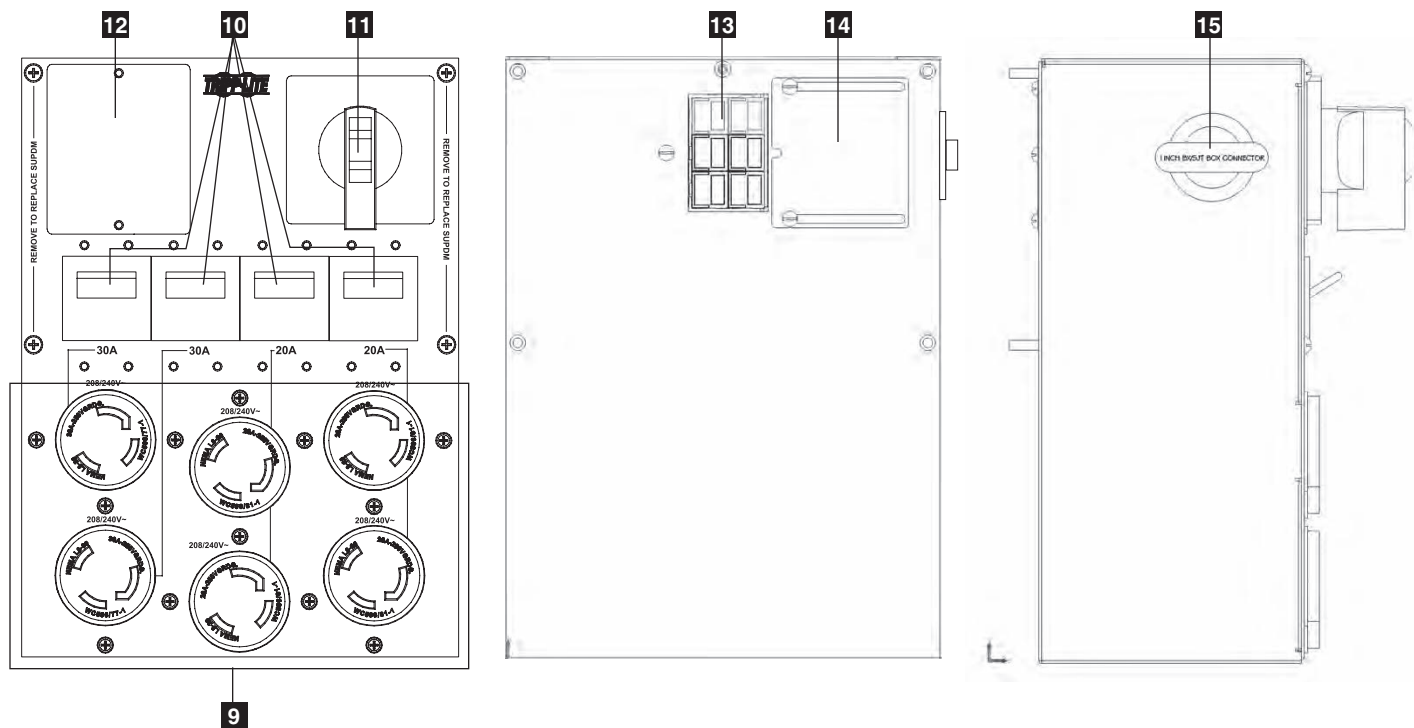


Features (Rear Panel) See page 6 for feature descriptions

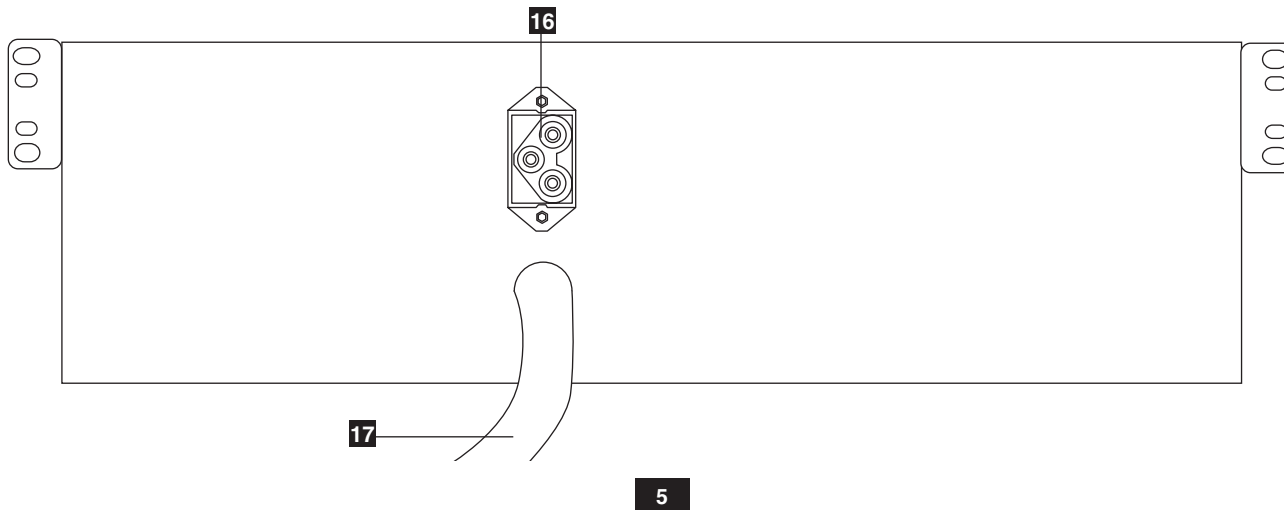
8kVA/10kVA Power Module



Detachable Power Distribution Unit



Battery Module



Features (Rear Panel)

Power Module Feature Description

- 1 Accessory Slot:** Remove the small cover panel to install optional accessories to remotely control and monitor your UPS system. Visit Tripp Lite on the Web (www.tripplite.com) to learn about available SNMP, network management and connectivity products that may be installed in this slot.
- 2 RS-232 Communication Port:** This female DB9 serial port may be used to connect your UPS to a workstation or server. It uses RS-232 protocol to communicate with a connected computer. It is used with Tripp Lite software and the included serial cable to monitor and manage the UPS remotely over a network and to automatically save open files and shut down equipment during a blackout. See “Optional Connection” for details. An optional Contact-Closure card is available if needed (Tripp Lite part # RELAYIOCARD).
- 3 Parallel Connector:** For UPS communication in parallel.
- 4 USB Communication Port:** The USB port may be used to connect your UPS to a workstation or server. It is used with Tripp Lite software and the included USB cable to monitor and manage the UPS remotely over a network and to automatically save open files and shut down equipment during a blackout. See “Optional Connection” for details. For USB communications, both DIP switches must be in the ON position. This will disable the RS-232 port.
- 5 EPO (Emergency Power Off) Port:** Used to connect the power module to a contact closure switch to enable emergency power off. See “Optional Connection” section for details.
- 6 Exhaust Fan:** This cools and ventilates the inside of the power module.
- 7 External Battery Connector:** Use this to connect one or more Tripp Lite battery modules to the power module. Remove the cover for access. The power module will not start without a connection to a charged battery module. Refer to the battery module owner’s manual for connection instructions and safety warnings.
- 8 Input Terminal Block:** Use these terminals to connect your power module to the detachable PDU.

Detachable Power Distribution Unit Feature Description

- 9 AC Output Receptacles:** Accept direct plug-in connection of NEMA L6-30P or NEMA L6-20P equipment plugs.
- 10 AC Output Breakers:** Control output power to the PDU’s AC output receptacles.
- 11 Maintenance Bypass Switch:** Permits qualified service personnel to remove the PDU from the power module for routine maintenance without disrupting power to the load. When this switch is set to BYPASS the load will receive unfiltered AC utility power and no battery backup power will be available in the event of a blackout. See the “Manual Bypass Operation” section for detailed manual bypass procedures. **WARNING! For qualified service personnel only. If the complete bypass procedure (see “Manual Bypass Operation,” p. 10) is not followed, the UPS will not be adequately powered down, presenting a risk of death or serious injury from contact with high voltage.**
- 12 Utility Input Terminal Block:** Use these terminals to connect the PDU to utility power. To access the terminals, unscrew and remove the terminal block cover.
- 13 Power Module Input Terminal Box:** Use these terminals to connect the PDU to the Power Module.
- 14 Sliding Cover for Power Module Input Terminals:** Slide this cover over the terminals after detaching the PDU from the Power Module during Manual Bypass Operation (p. 10).
- 15 Input Terminal Block Cable Access:** Located on the left side of the PDU.

Battery Module Feature Description

- 16 Input Connector:** Use this connector to daisy chain additional battery modules onto the first. Remove the cover panel for access. Refer to the battery module owner’s manual for connection instructions and safety warnings.
- 17 Output Cable:** Use this cable to connect the battery module to the power module or to another battery module. The power module will not start without a connection to a charged battery module. Refer to the battery module owner’s manual for connection instructions and safety warnings.

Connection (continued)

Hardwiring Cautions

- Wiring must be done by a qualified electrician.
- When making wiring connections, observe the cable connection regulations appropriate to your area [e.g. National Electrical Code (NEC) in the U.S.] at all times. Be sure to install an easily accessible disconnect switch in your installation wiring so you may cut off the UPS’s AC input during fires and other emergencies. Ensure that cables are fitted with cable sleeves and are secured by connector clamps. Tighten connections with a torque of not less than 24-28 inch-pounds (2.7-3.2 NM).
- Make sure that your equipment is properly grounded.
- Using cables of improper size may damage your equipment and cause fire hazards. Choose appropriate cabling and protection circuits to make wiring connections. Ground conductors must be the same size and type as the power conductors used.
- Refer to National Electrical Code (NEC) guidelines for proper wire gauge and output protection circuit requirements.

Input and Output Ratings				
Model	Input Voltage	Maximum Rated Input Current	Maximum Rated Output Current	Typical Wire Size
8kVA	208~240V (L - N)	46 A	40 A	8mm ² =8 AWG
10kVA	208~240V (L - N)	56 A	50 A	8mm ² =8 AWG

Connection (continued)

Connecting Modules to Each Other and to Utility Power and Equipment

1 Attach the PDU to the Power Module and Battery Module.

Align and connect the PDU's power module input terminals with the terminals on the back of the Power Module. Secure the PDU to the Power Module with four screws **A**. Before proceeding further, ensure that the Bypass Switch is set to NORMAL. Remove the utility input terminal block cover **B**.

2 Hardwire the PDU to a Utility Power Source.

Pass a user-supplied cable through the knockout on the left side of the PDU **C** and connect it to the PDU's input terminals **D**. Replace the terminal block cover. Connect the other end of the cable to a utility power source.

3 Connect the battery module to the power module.

Consult the owner's manual that came with your battery module. Fully insert the connector on the end of the battery module's cable **E** into the connector on the rear panel of the power module **F**. Small sparks may occur; this is normal. NOTE: the power module does not contain internal batteries and will not start until a battery module is connected. The battery modules are fully charged prior to shipping. However, before expecting full backup capability (particularly if the battery module has been stored for an extended period) after the UPS system is connected to a utility power source, allow the battery module to recharge for 12 hours. Once the UPS system is in use, it will charge the batteries and maintain the charge level automatically. If needed, connect additional battery modules in a daisy-chain with each module's cable inserted into the previous module's connector **G**.

Contacts on Power/Battery Module



WARNING! High Voltage!

Risk of electrical shock!

Due to the presence of high voltage internal batteries, even without AC present, these contacts are live!

Do not let these contacts touch any surface!



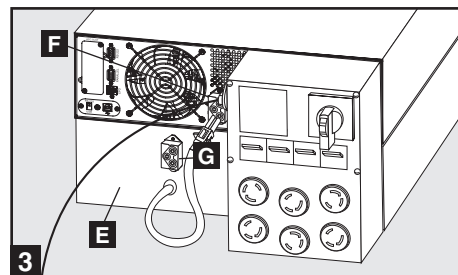
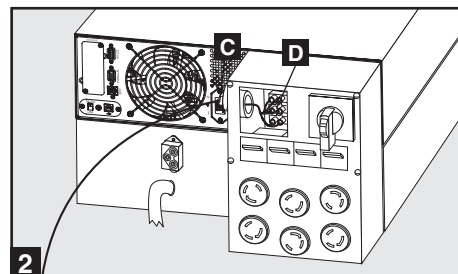
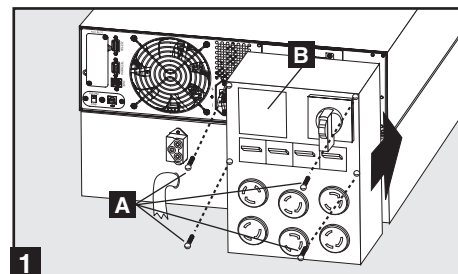
Contacts on Detachable PDU

WARNING! High voltage!

Risk of electrical shock!

If AC is present and Bypass Switch is set to "Bypass", these contacts are live!

Do not let these contacts touch any surface!



4 Turn UPS ON

Note: UPS system will function properly upon initial startup; however, maximum runtime for the unit's battery will only be accessible after it has been charged for 24 hours.

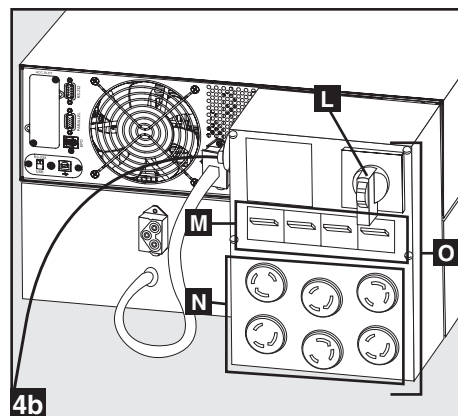
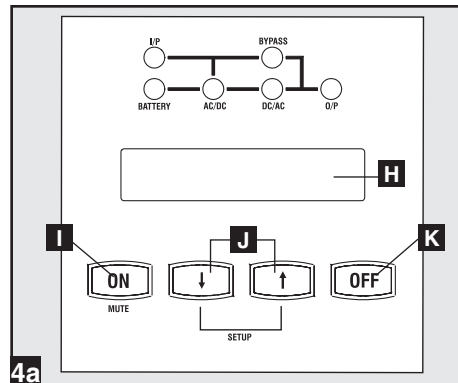
1. Turn on the breaker for the UPS system's utility power source. This will energize the UPS power module and the control panel's LCD screen **H** will display "BYPASS MODE".
2. Make sure the PDU module's manual bypass switch **L** is in the "NORMAL" position.
3. Turn on the PDU output circuit breakers **M**.
4. Configure the UPS system in SETUP MODE. Enter SETUP MODE by holding down both scroll buttons **J** at the same time.
5. Scroll through the setup options (using the scroll buttons **J**) and press the "SELECT" button **I** to select the appropriate settings:

Input & Output Voltage: Select 200, 208, 220, 230, or 240V AC.

Output Frequency: The UPS system will auto-select 50 or 60 Hz to match the input.

Economy Mode: The UPS system can provide on-line operation with zero transfer time. It can also operate in a more energy-efficient, line-interactive mode. Select "ECONOMY ON" for line-interactive mode. Select "ECONOMY OFF" for on-line mode.

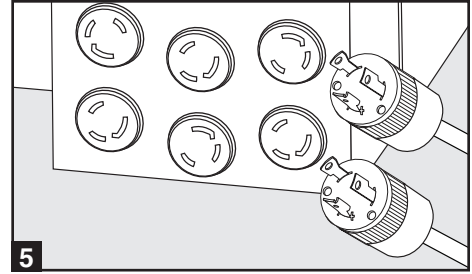
6. After configuring the options, exit SETUP MODE with the scroll buttons **J**.
7. Press the control panel's "ON" button **I** until the UPS system beeps, then release the button.
8. The UPS system will perform a brief self-test and show the results on the control panel LEDs and LCD screen **H**. See "Startup Self-Test" in the "Operation" section for the display sequence.
9. After the self-test is complete, the LCD screen **H** should display "ONLINE MODE" or "ECONOMY MODE", depending on which option was selected. The UPS system is now turned on.



Connection (continued)

5 Plug Your Equipment into the PDU's Outlets

Your UPS is designed to support electronic equipment only. You will overload your UPS if the total VA rating for all the equipment you connect exceeds the UPS's output capacity. Do not connect household appliances or laser printers to the UPS's outlets. To find your equipment's VA ratings, look on their nameplates. If the equipment is listed in amps, multiply the number of amps by the input voltage (240V or 208V) to determine VA. (Example: 1 amp × 120 = 120 VA).



6 Turn UPS OFF (Optional)

1. Press the control panel's "OFF" button **K** until you hear a beep, then release the button. The LCD screen **H** will display "BYPASS MODE". The inverter is now turned off, but the UPS system is not fully deactivated and the load is still energized.
2. Turn off the Output Circuit Breakers **M** located on the detachable PDU. The load will no longer be energized and the LCD screen **H** will be dark.
3. Turn off the breaker for the UPS system's utility power source. The UPS system is now turned off and the LCD screen **H** will be dark.

7 UPS Cold Start (Optional)

During a blackout or other input power failure, the UPS system can be "cold started" from battery. (The battery must be at least partially charged.) **Note: The UPS system's output settings cannot be configured while operating from battery. It will use the previously configured output settings.**

1. Make sure the PDU modules manual bypass switch **L** is set to the "NORMAL" position.
2. Turn on the Output Circuit Breakers on PDU module **M**.
3. Press the control panel's "ON" button **I** until the UPS system beeps, then release the button. The UPS system's inverter will begin to operate. **Note: Some electronic equipment draws more current at startup. When starting from battery, consider reducing the initial load.**
4. The UPS system will perform a brief self-test and show the results on the control panel LEDs and LCD screen **H**. See "Startup Self-Test" in the "Operation" section for the display sequence.
5. After the self-test is complete, the LCD screen **H** should display "ON BATTERY MODE" and an alarm should sound.
6. The UPS system will now provide power to connected equipment until the battery is discharged.

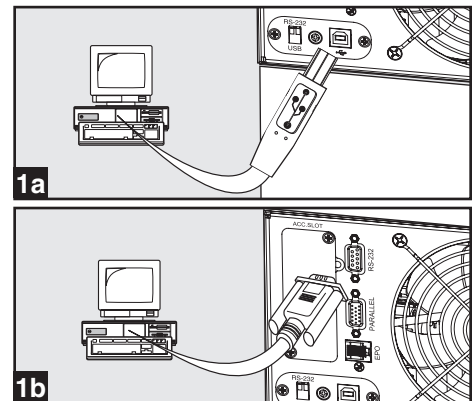
Optional Connection

The following connections are optional. Your UPS system will function properly without these connections.

1 USB and RS-232 Serial Communication Connection

Use the included USB cable **1a** or RS-232 DB9 serial cable **1b** to connect the communication port of your computer to the communication port of your UPS. Install on your computer the Tripp Lite PowerAlert Software appropriate to your computer's operating system. Consult your PowerAlert manual for more information.

USB Communication Port Note: The USB port may be used to connect your UPS to a workstation or server. It is used with TrippLite software and the included USB cable to monitor and manage the UPS remotely over a network and to automatically save open files and shut down equipment during a blackout. See "Optional Connection" for details. For USB communications, both DIP switches must be in the ON position. This will disable the RS-232 port.



Optional Connection (continued)

2 EPO Port Connection

This optional feature is only for those applications that require connection to a facility's Emergency Power Off (EPO) circuit. When the UPS is connected to this circuit, it enables emergency shutdown of the UPS's inverter and inhibits transfer to internal bypass. Using the cable provided, connect the EPO port of your UPS (see **2a**) to a user-supplied normally closed or normally open switch according to the circuit diagram (see **2b**).

Note:

1. If using a cable other than what is supplied, the cable should not exceed 350 feet or have a resistance of greater than 10 ohms.
2. If a non-latching EPO switch is used, the EPO must be held for a minimum of 1 second. This does not apply to a latching EPO switch.

CAUTION: The EPO port is not a phone line surge suppressor; do not connect a phone line to this port.

UPS Unit State when asserting EPO with AC line present:

LEDs	Output	Fans	Serial	SNMP	USB	LCD Screen
OFF	OFF	OFF	OFF	OFF	OFF	"Emergency Stop"

To restart the UPS unit after asserting EPO with AC line present:

1. Verify that the EPO assertion has been removed or cleared.
2. Remove AC line power to the UPS unit.
3. Reapply AC line power. Now the UPS will start back up in Bypass mode and the LCD will display "BYPASS MODE".

UPS Unit State when asserting EPO without AC line power:

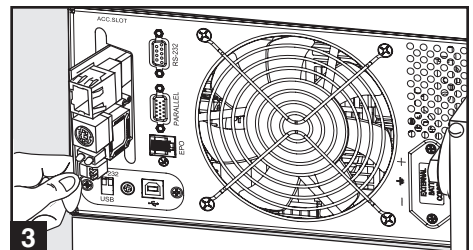
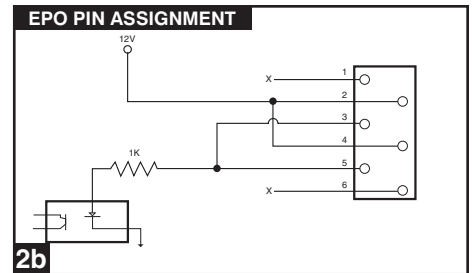
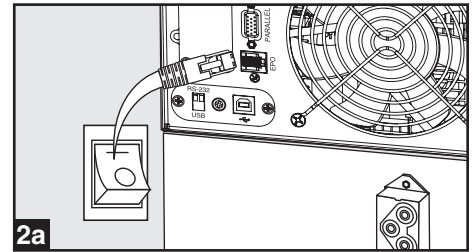
LEDs	Output	Fans	Serial	SNMP	USB	LCD Screen
OFF	OFF	OFF	OFF	OFF	OFF	"Emergency Stop"

To restart the UPS unit after asserting EPO without AC line power:

1. Verify that the EPO assertion has been removed or cleared.
2. Reapply AC line power to the UPS unit. Now the UPS will start back up in Bypass mode and the LCD will display "BYPASS MODE".

3 Internal SNMP/WEB Card Insertion

Remove the small cover panel from the accessory slot to use optional accessories to remotely monitor and control your UPS. Visit www.tripplite.com/support for more information, including a list of available SNMP, network management and connectivity products.



Manual Bypass Operation (for power module maintenance or replacement)

The UPS system includes a self-contained power/battery module along with an independent, detachable PDU with a bypass switch. This switch allows qualified service personnel to remove the detachable PDU from the power/battery module for routine maintenance without disrupting power to connected loads. While this switch is set to "BYPASS", connected equipment will receive unfiltered AC utility power, but the equipment will not receive battery power in the event of a blackout.

Note: If desired, an optional hardwire detachable PDU is also available separately from Tripp Lite. Contact Tripp Lite for details.

(Optional: During a hot-swap, the PDU can be housed in the back of the rack configuration using supplied PDU hanger brackets and hardware. See **STEP 5** on page 3 for mounting instructions.)

WARNING! For qualified service personnel only. Failure to follow the bypass procedure completely will not adequately power down the UPS power/battery module, resulting in the continued risk of death or injury from potential contact with high voltage. The UPS's power/battery module and detachable PDU are extremely heavy. This procedure requires several people to perform.

Manual Bypass Operation (for power module maintenance or replacement) (continued)

UPS Power/Battery Module Removal

- STEP 1.** Disable PowerAlert Software and disconnect communication cables from the communication ports **A** on the UPS power/battery module.
- STEP 2.** Press UPS's "OFF" Button **C**, if the UPS is powered, until you hear a beep and see a "BYPASS MODE" message shown in the LCD Display
- STEP 3.** Turn the detachable PDU's Bypass Switch **B** to "BYPASS".
- STEP 4.** If an external battery module is connected to the UPS **E**, disconnect it from the UPS.
- The UPS power/battery module is now safely powered down and it can be detached from the PDU to perform maintenance/replacement.**

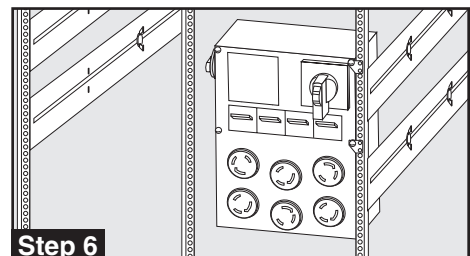
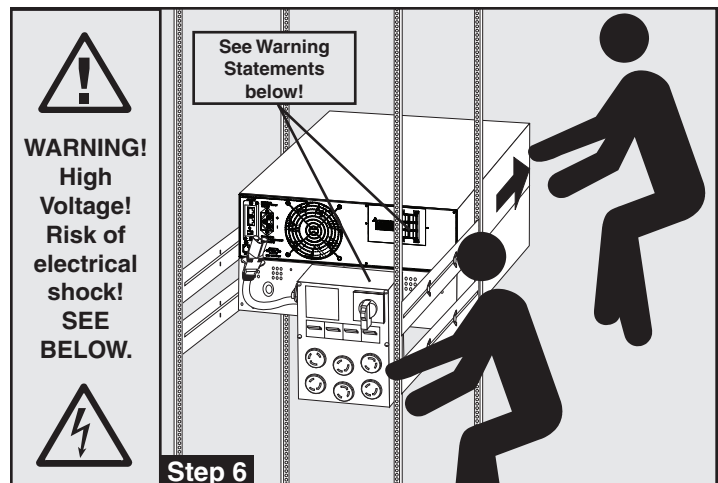
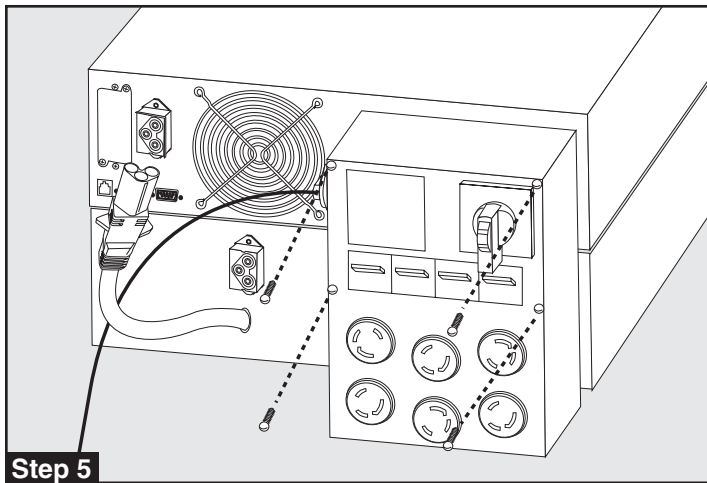
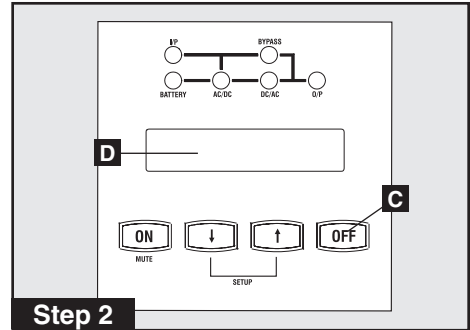
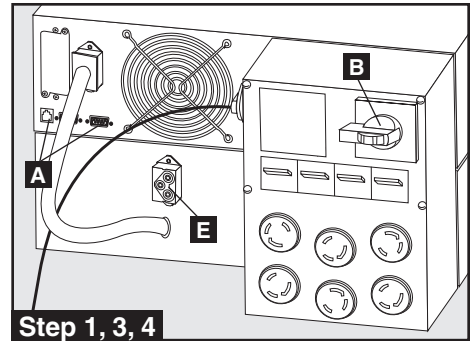


WARNING! High Voltage! Risk of electrical shock! SEE BELOW.



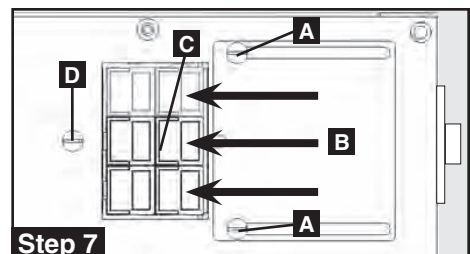
- STEP 5:** Remove the four screws that hold the detachable PDU to the power/battery module.
- STEP 6:** Using several assistants at each end, carefully pull the detachable PDU away from the power/battery module. During this process, ensure that each section is properly supported after they are separated. If the sections are detached in a rackmount application, ensure that each section remains adequately supported by the UPS's rackmount rails. Remove the rackmounting hardware from the front panel of the UPS; slide the power and battery modules forward, and remove. If it is desired to leave the detached PDU in the rack, hang the unit in the back of the rack on the installed PDU hangers by the screws used to attach the PDU to the UPS system. (Refer back to page 3 for PDU hanger bracket installation).

If the sections are detached in a tower application, ensure that the PDU is supported by the UPS's tower feet. Adjust the tower feet so they are as close together as possible.



- STEP 7:** Loosen the screws **A** in the contact cover **B**. Slide the cover over the contacts **C**. Tighten the screw **D** to secure the cover. Warning: Use extreme caution when handling the PDU. Do not allow the contacts to touch any surface.

To reattach the PDU, reverse the process listed above.



Manual Bypass Operation (for power module maintenance or replacement) (continued)



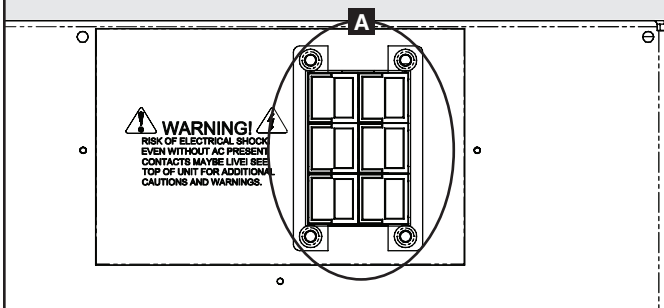
High Voltage Warnings



Contacts on Power/Battery Module



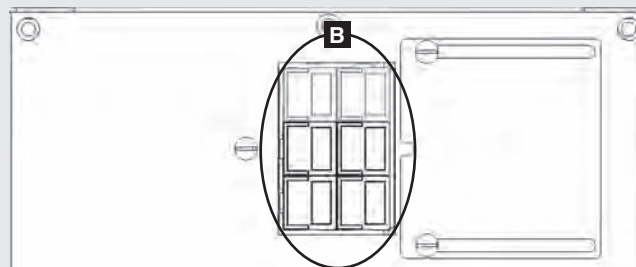
Due to the presence of high voltage internal batteries, even without AC present, these contacts **A** are live!
Do not let these contacts touch any surface!



Contacts on Detachable PDU



If AC is present and Bypass Switch is set to "Bypass", these contacts **B** are live!
Do not let these contacts touch any surface!



Specifications

The models listed below include a power module, one or two battery modules, and a PDU module.

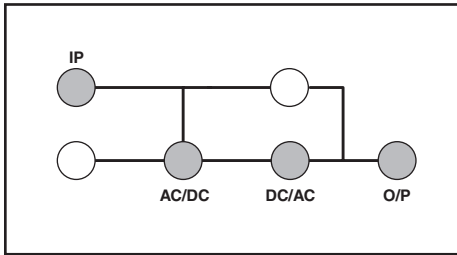
Model Information

Model # (S)	8kVA	10kVA
Input		
Input Connection Type	Anderson Power Connector 75A (3 pole)	Anderson Power Connector 75A (3 pole)
Input Voltage Range	156~280V Single Phase	156~280V Single Phase
Module Input Voltage	200/208/220/230/240V AC	200/208/220/230/240V AC
Input Frequency	50/60Hz (40~70Hz)	50/60Hz (40~70Hz)
Input Current	46.0/44.2/41.8/40.0/38.3 (Max.)	56.1/54.0/51.0/48.8/46.8 (Max.)
Inrush Current	<200A	<200A
Power Factor (Full Load)	>0.98	>0.98
Efficiency (Full Load/On-Line)	90%	90%
Power Module Circuit Breaker	N/A	N/A
Battery Model	BP240V10RT-3U; 20 x 12V9Ah	BP240V10RT-3U; 20 x 12V9Ah
Output		
VA	8000	10000
Watts (Power Factor: 0.9)	7200	9000
Output connection Type	Anderson Power Connector 75A (3 pole)	Anderson Power Connector 75A (3 pole)
Waveform (On-Line)	Sinewave	Sinewave
Waveform (On-Battery)	Sinewave	Sinewave
Output Voltage (RMS)	200/208(default)/220/230/240Vac (Single Phase)	200/208(default)/220/230/240Vac (Single Phase)
Output Frequency	50/60Hz ± 0.05Hz	50/60Hz ± 0.05Hz
Voltage Regulation	±2%	±2%
Max. Harmonic Distortion (Linear Full Load)	<2%	<2%
Max. Harmonic Distortion (NonLinear Full Load)	<3%	<3%
Overload Capabilities	105% (Continuous), 106%-125% (1 Minute), 126%-150% (30 sec.), >150% (Immediate)	105% (Continuous), 106%-125% (1 Minute), 126%-150% (30 sec.), >150% (Immediate)
Short Circuit Capability		
Crest Factor	2.7:1	2.7:1
Operation		
On-Line Transfer Time (Line to Battery, Battery to Line)	0 ms.	0 ms.
Audible Noise (Full Load @ 1m)	60dBA	60dBA
Indicators	Includes an LCD Display and LEDs (I/P (input), BATTERY, AC/DC, BYPASS DC/AC, O/P (Output)).	
Communications	Includes an RS-232, a parallel connector , USB connector, a EPO connector and an accessory slot.	
Physical Specifications		
Unit Dimensions (H x W x D)	25.82 x 17.5 x 5.14 in. [665.8 x 444.5 x 130.5 mm]	25.82 x 17.5 x 5.14 in. [665.8 x 444.5 x 130.5 mm]
Power Module		
PDU Module	20.54 x 6.96 x 4.49 in. [521.8 x 176.8 x 114 mm]	20.54 x 6.96 x 4.49 in. [521.8 x 176.8 x 114 mm]
Shipping Weight		
Shipping Weight	66 lb. [30 kg.]	66 lb. [30 kg.]
Power Module		
PDU Module		

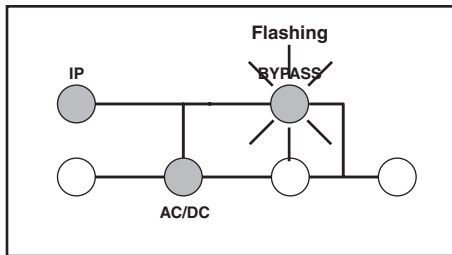
Operation

LED Display Information

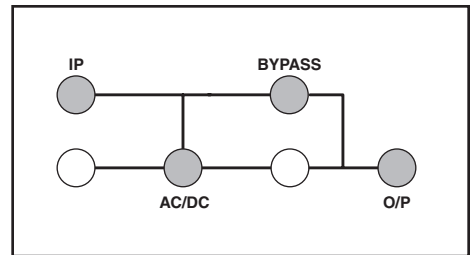
AC Mode: AC input voltage in normal range: 156-280V.



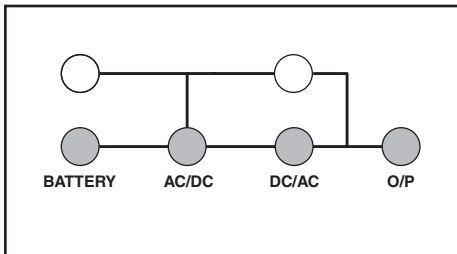
Bypass Mode: AC input voltage in a range of: -20 to +15% of the rating voltage; Bypass Mode is enabled.



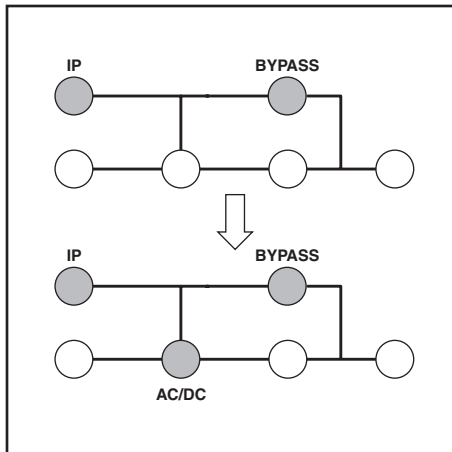
Economy Mode: AC input voltage in a range between -10 and +10% of rating voltage; Economy Mode is enabled.



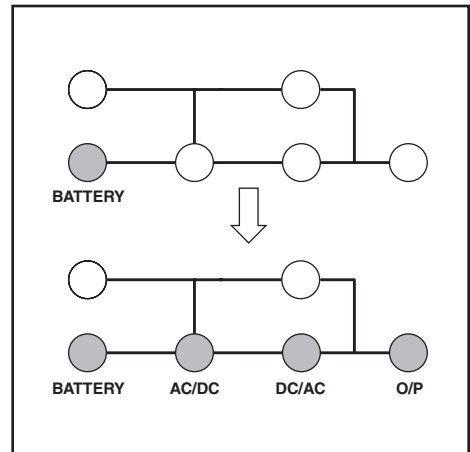
Cold Start/Battery Mode: With a cold start in Battery Mode, you will see the following LED display:



AC Power Start Up: With an AC power start up, you will see the following LED sequence:



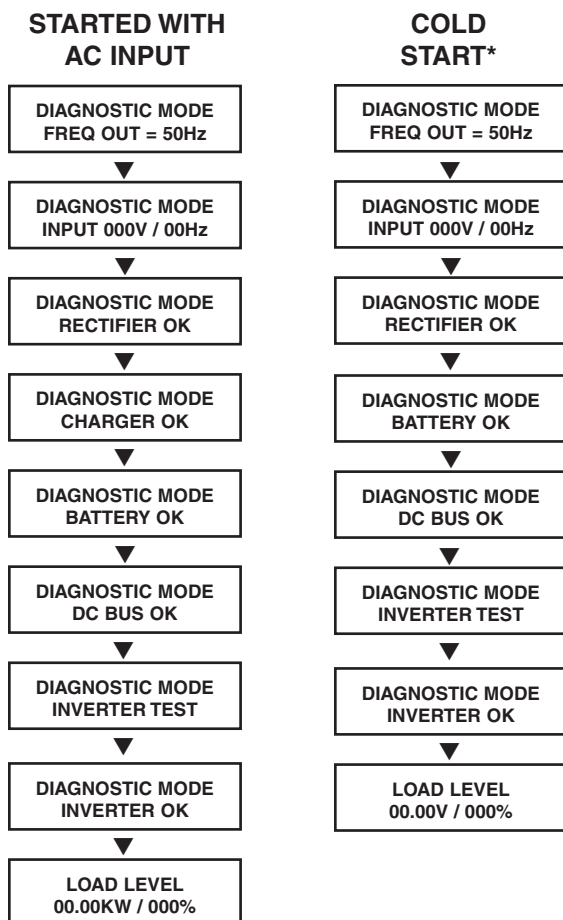
Cold Start: With a cold start, you will see the following LED sequence.



Operation (continued)

Startup Self-Test

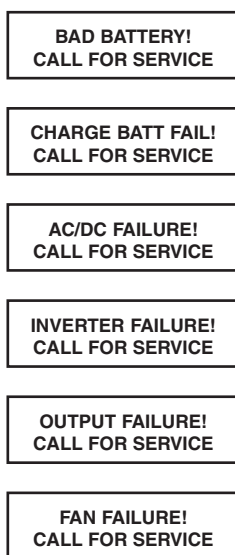
When you turn the UPS ON, it will enter Diagnostic Mode and perform a brief self-test lasting about 15 seconds. The results of the self-test are shown on the LCD screen in the sequence below.



*Note: If the UPS is cold started, its BATTERY LED will be lit.

Failed Self-Test

If a problem is detected during the self-test, the LCD will display an error message. If your UPS displays any of the following messages in its LCD, call Tripp Lite Technical Support at (773) 869-1234 for service.



Operation (continued)

Normal Operation

During normal operation, the first line of your LCD Display shows which operating mode your UPS is in: Online, Economy, On Battery, or Bypass.

Online mode: The UPS provides AC power while utility power is available and switches to On Battery mode instantly (zero transfer time) if AC power is interrupted.

Economy mode: The UPS provides AC power at high efficiency while utility power is within +/- 10% rated AC input voltage and switches to On Battery mode (zero transfer time) if AC power is interrupted.

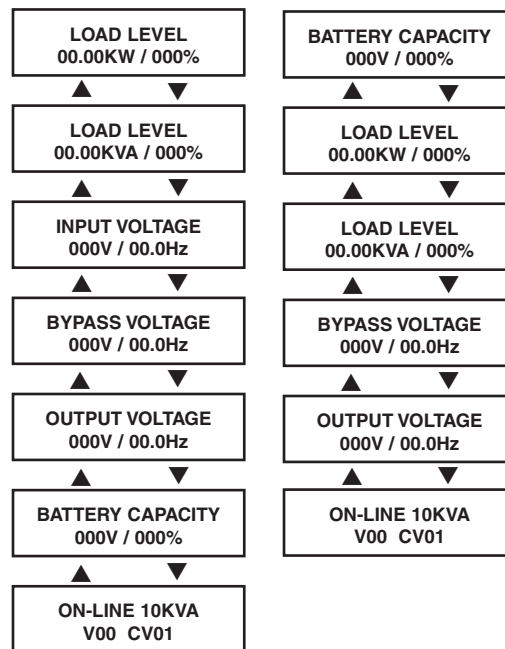
Industrial mode: If the UPS detects an output voltage fluctuation more than 5 ms, the UPS will transfer to Bypass mode, returning to Online mode when the output is back to normal.

On Battery mode: The UPS provides AC power from battery backup so long as battery power lasts. It switches back to Online or Economy mode if utility power is available and shuts down if it runs out of battery power.

Bypass mode: The UPS provides AC power while utility power is available. The UPS shuts down if AC power is interrupted.

Parallel mode: The UPS can provide redundancy up to 10K or power up to 20K. Refer to your Paralleling Kit manual for more information.

The second line of the LCD Display shows basic power conditions. Push the SCROLL buttons to browse through these basic power conditions in the sequence shown below.



UPS Setup Menu

Press the UP↑ and DOWN↓ buttons simultaneously for 3 seconds until the SETUP MENU screen appears as seen below:

UPS SETUP
EXIT ENTER

Press the UP↑ button to enter Set Up Mode.

To enter Set Up Mode, you will be required to enter a password.

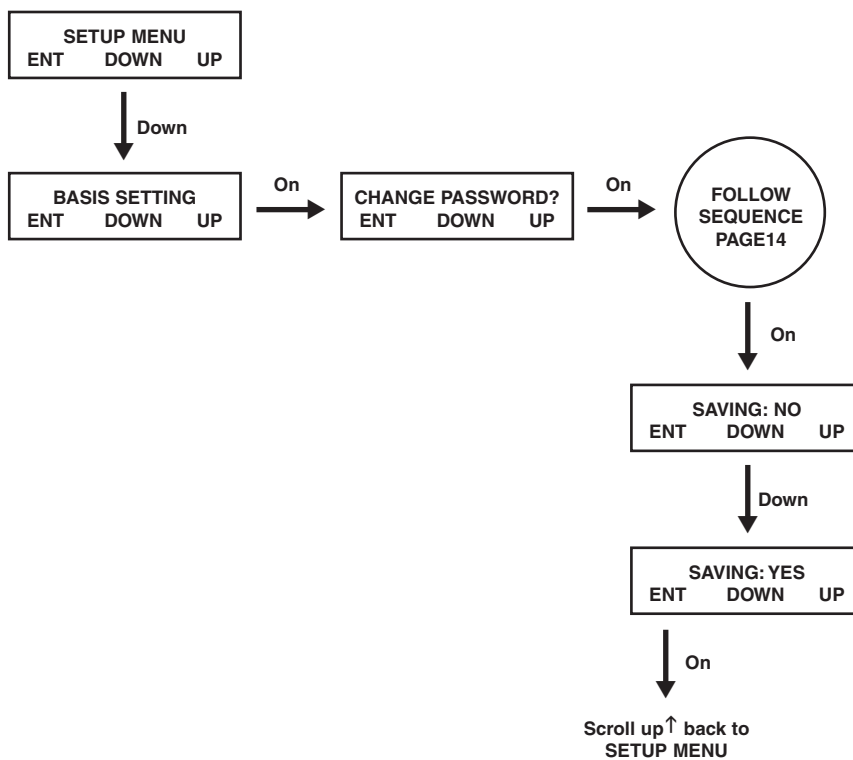
PASSWORD : 0000
ENT DOWN UP ~

Numbers increase or decrease by 1 when pressing the UP↑ and DOWN↓ buttons (0-9). Scroll to select the first number, then press the ON button. This saves the first number and moves on to the next in the sequence. The password range is 0000-9999 and should be changed by the administrator. The DEFAULT password is 1234.

Operation (continued)

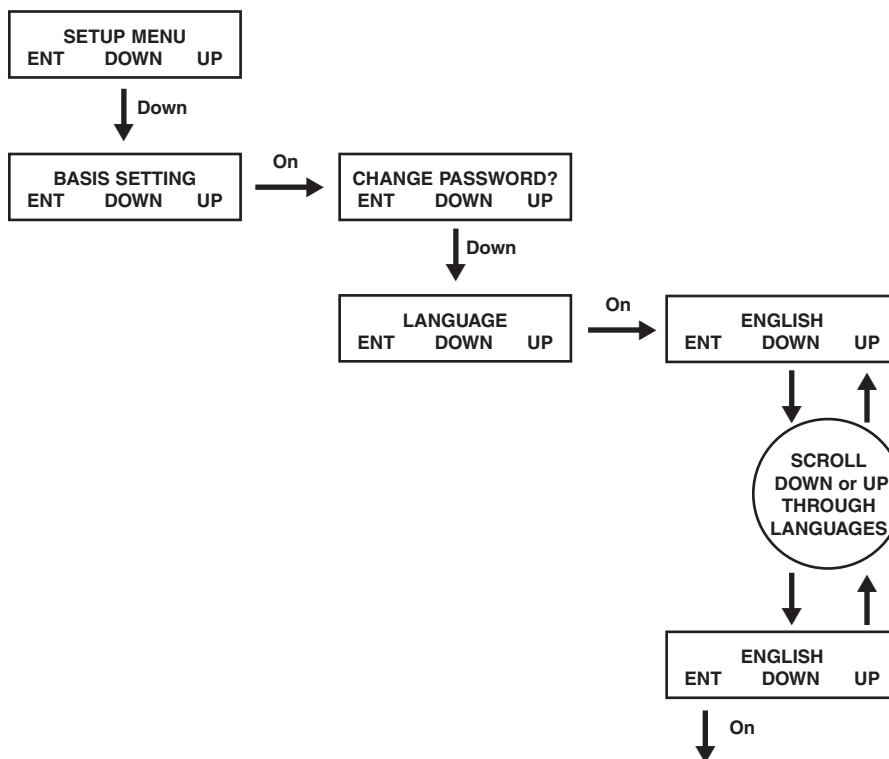
Changing the Password

To change the password, scroll DOWN↓ from the SETUP MENU screen to the BASIS SETTING screen. From here, press ON for the CHANGE PASSWORD screen. From this screen press ON and follow the previously described actions to set your password. When set, press ON to move to the SAVING screen. Scroll DOWN↓ to the SAVING: YES screen and press ON to save. Scrolling back UP↑ will return you to the SETUP MENU.



Selecting Screen Language

To select a screen language, scroll DOWN↓ to the BASIS SETTING screen. Press ON to get to the CHANGE PASSWORD screen and DOWN↓ to get to the LANGUAGE screen. From here, press ON. You can then scroll DOWN↓ or UP↑ through languages until you find your desired language. Press ON to save your selection.



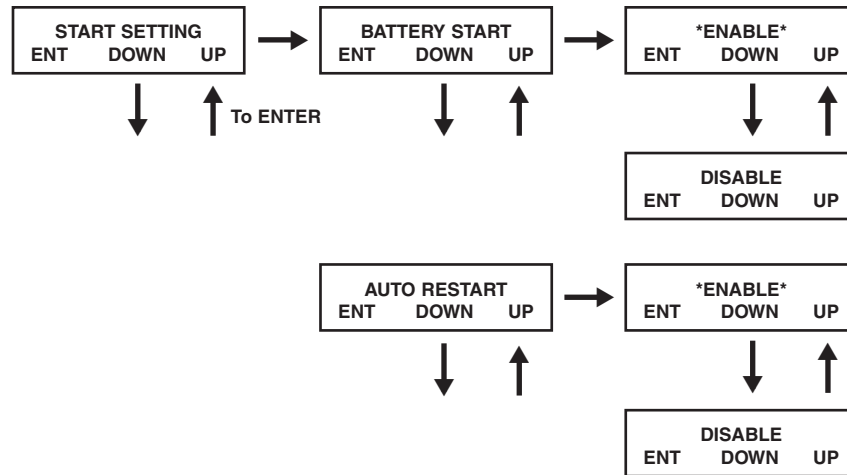
Operation (continued)

Start Settings

The UPS can start up through the battery without AC power. The DEFAULT is ENABLE. When the UPS switches to battery it can AUTO RESTART to work in an On-Line Mode when AC power is restored. DEFAULT is ENABLE.

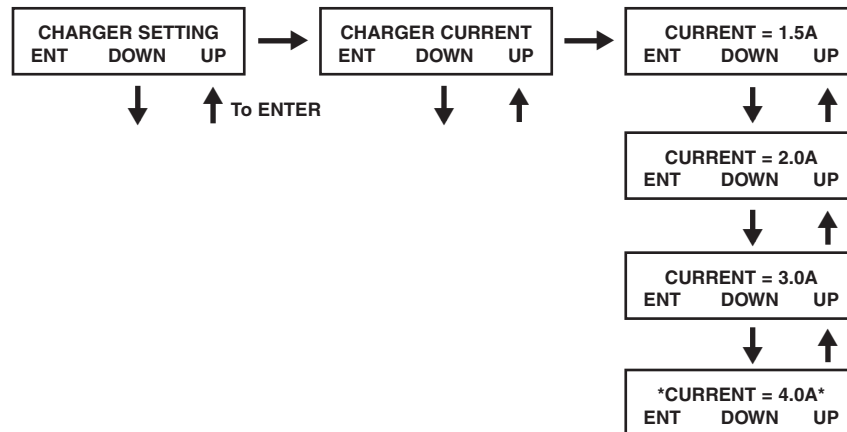
From the SETUP MENU screen, scroll DOWN↓ to the START SETTING screen. From here, press the ON button for the BATTERY START screen. From this screen, pressing ON moves you to a ENABLE screen. Pressing ON will enable, while scrolling DOWN↓ takes you to a DISABLE screen. From here, press ON to DISABLE this function.

From the BATTERY START screen, pressing DOWN↓ will take you to an AUTO RESTART screen. Pressing ON takes you to an ENABLE screen; press ON to ENABLE. Pressing DOWN↓ takes you to a DISBALE screen. Press ON to DISBALE this function.



Charger Settings

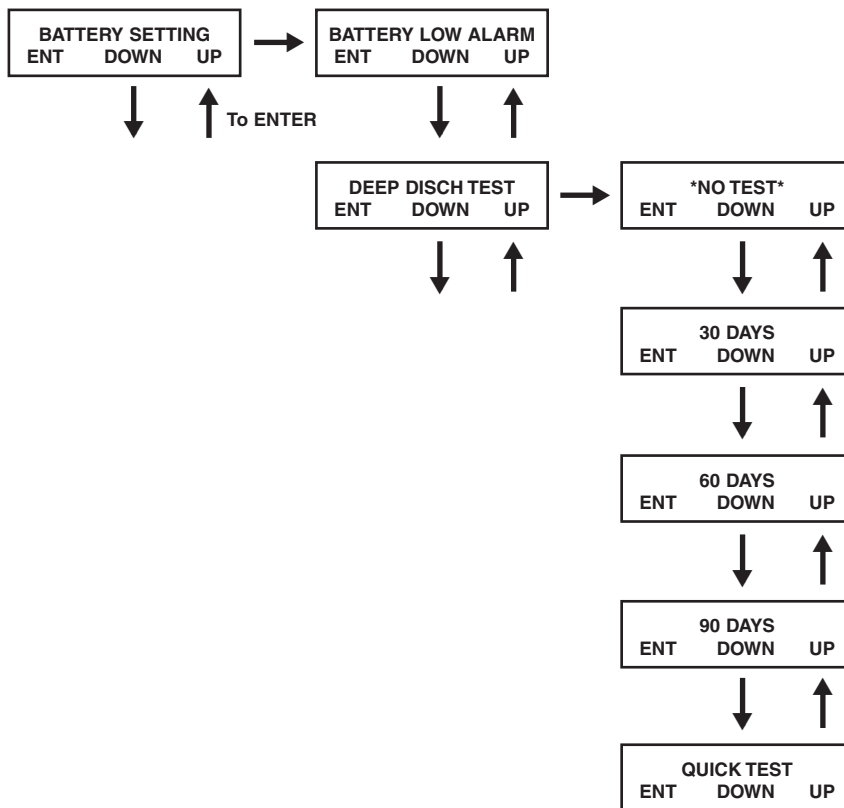
From the SETUP MENU screen, scroll DOWN↓ until you reach the CHARGER SETTING screen. From here, press ON to get to the CHARGER CURRENT screen. Press ON again. From here, you can scroll DOWN↓ or UP↑ to select current values between 1.5 and 4.0A. Press ON to save your desired value.



Operation (continued)

Battery Settings

Deep Discharge Test: used to set the time period for deep discharge tests. From the SETUP MENU screen, scroll DOWN↓ until you reach the BATTERY SETTING screen. Press ON for the BATTERY LOW ALARM screen and scroll DOWN↓ until you reach the DEEP DISCH TEST screen. Here, press ON. Now you can scroll DOWN↓ or UP↑ between NO TEST, 30, 60, 90 days and QUICK TEST. When you reach your desired time length, press ON to save. The DEFAULT is NO TEST.



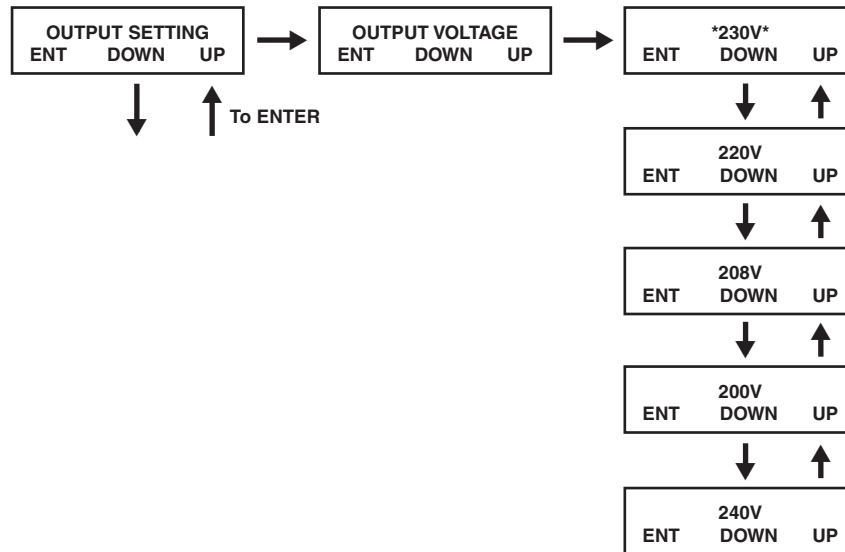
Operation (continued)

Output Settings

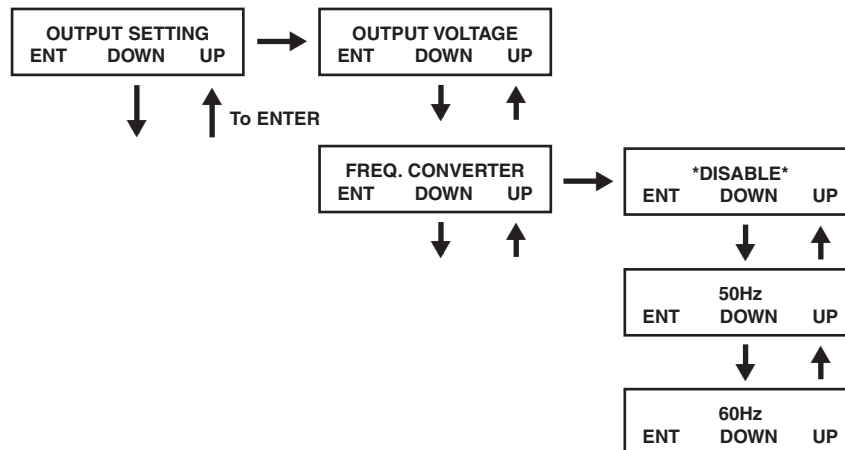
Note: Any Output Setting changes require a UPS power cycle.

Output Voltage: used to set the UPS' output voltage rating. From the SETUP MENU screen, scroll DOWN↓ until you reach the OUTPUT SETTING screen. Press ON to reach an OUTPUT VOLTAGE screen and ON again. You can now scroll DOWN↓ or UP↑ between 5 voltage values: 200/208/220/230/240V. Press ON to save your desired voltage.

DEFAULT: 208V



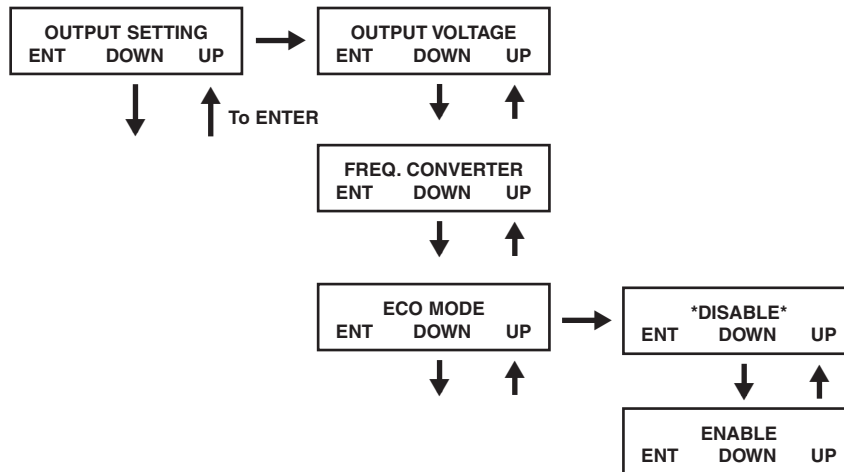
Frequency Converter: used to set the Frequency Converter Mode. From the SETUP MENU screen, scroll DOWN↓ until you reach the OUTPUT SETTING screen. Press ENTER for the OUTPUT VOLTAGE screen and DOWN↓ to access the FREQ CONVERTER screen. Here, press ON. Now you can scroll DOWN↓ or UP↑ between DISABLE, 50 and 60 Hz. Press ON to save your selection. When on DISABLE, the UPS will automatically detect input frequency and select 50 or 60 Hz accordingly. The DEFAULT selection is DISABLE.



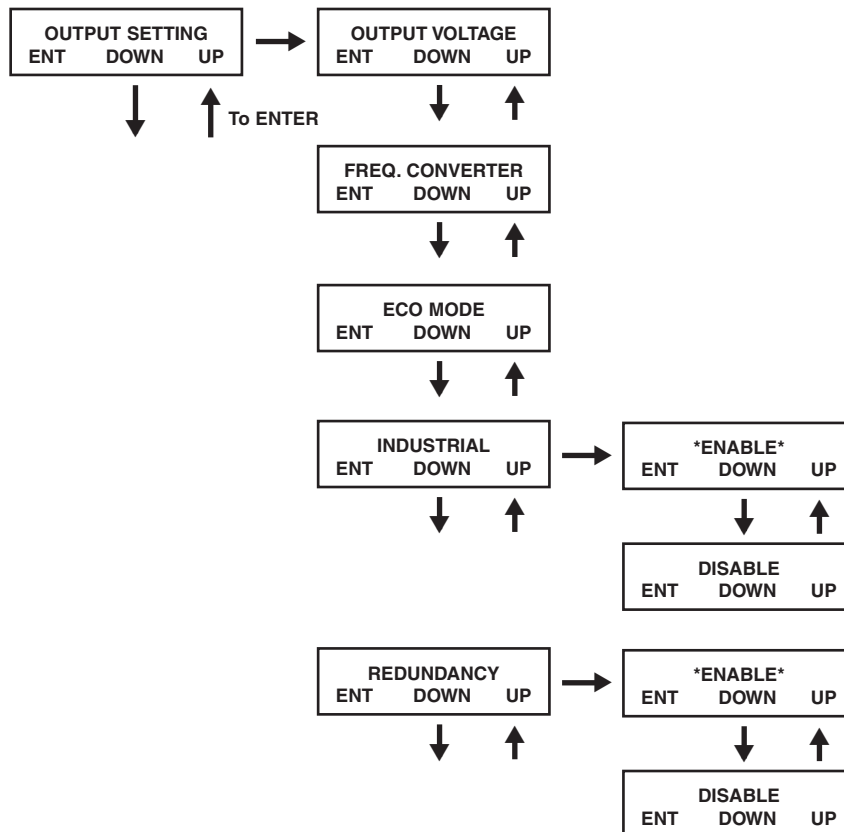
Operation (continued)

Output Settings

ECO Mode: used to set the UPS' ability to work in the energy saving Economy Mode. When input voltage is in a + or - range of 10% of the overall voltage rating, the UPS will transfer into an Economy Mode to improve the efficiency of the UPS. From the SETUP MENU screen, scroll DOWN↓ until you reach the OUTPUT SETTING screen. From here, press ON for the OUTPUT VOLTAGE screen, and DOWN↓ through the FREQ CONVERTER screen until you reach the ECO MODE screen. From here, press ON and now you can scroll DOWN↓ or UP↑ between DISABLE and ENABLE. Press ON to save your selection. The DEFAULT setting is DISABLE.

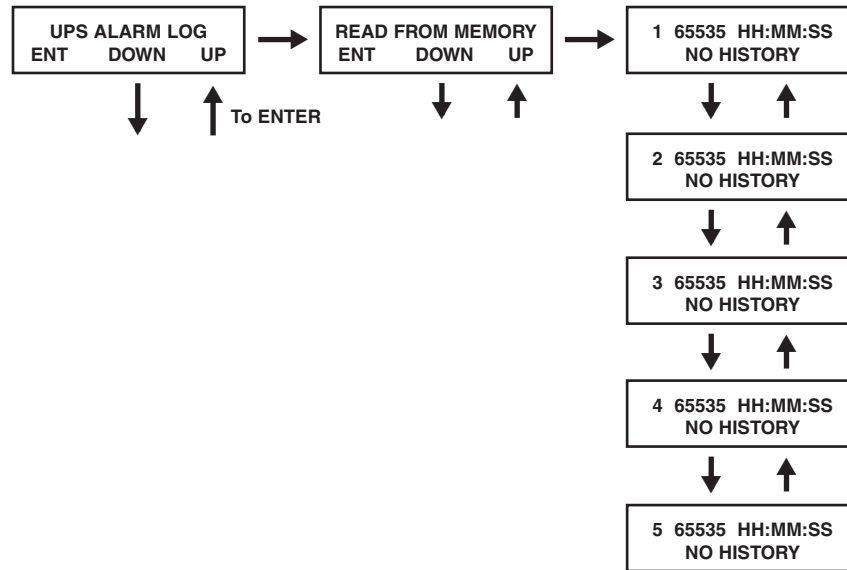


Industrial: used to set the UPS' voltage protection. If enabled, and receiving AC power with input voltage and frequency within a normal range the UPS will work in an On-Line mode. If the UPS detects an output voltage fluctuation more than 5 ms, the UPS will transfer to Bypass Mode, returning to On-Line Mode when the output is back to normal. From the STARTUP MENU screen, scroll DOWN↓ until you reach the OUTPUT SETTING screen. From here, press ON to reach the OUTPUT VOLTAGE screen, and DOWN↓ until you reach the INDUSTRIAL screen. From here, press ON and you can now scroll DOWN↓ or UP↑ for ENABLE or DISABLE. Press ON to save your selection. The DEFAULT is DISABLE. Scrolling DOWN from the INDUSTRIAL screen will take you to a REDUNDANCY screen. From here, press ON and you can now scroll DOWN or UP for ENABLE or DISABLE. The DEFAULT setting is DISABLE.



Operation (continued)

UPS Alarm Log

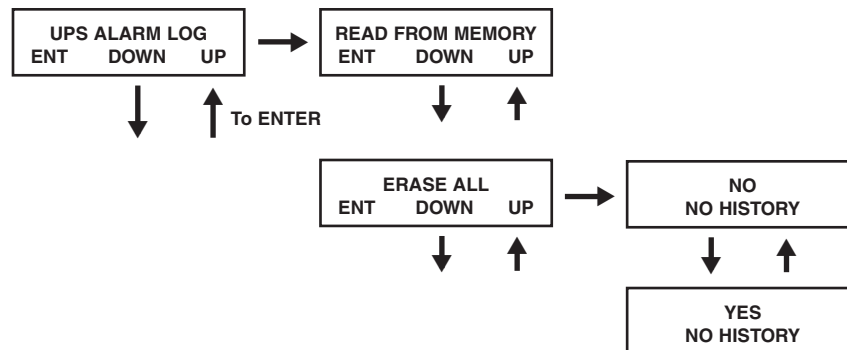


Read From Memory: records the last 5 fault events from the EEPROM. See the Fail Event List below:

Fail Event List		
DC BUS FAIL	CHARGER BATTERY FAIL	OUTPUT FUSE FAIL
SHORT CIRCUIT	BYPASS SCR SHORT FAIL	DC BUS OVP FAIL
INVERTER FAIL	INPUT SCR SHORT FAIL	INPUT HVP RELAY SHORT FAIL
OVER TEMPERATURE	DERATE SHUTDOWN	INPUT HVP RELAY OPEN FAIL
OUTPUT SCR FAIL	ENERGY SAVING	NTC OPEN FAIL
OVERLOAD	OUTPUT HAS VOLTAGE	LOW TEMP FAIL
FAN FAIL	INPUT FUSE FAIL	

From the SETUP MENU screen, scroll DOWN↓ until you reach the UPS ALARM LOG screen. Press ON to enter the READ FROM MEMORY screen and ON again. Here, you can scroll DOWN↓ or UP↑ to read the last 5 fault events. Press ON to exit this menu.

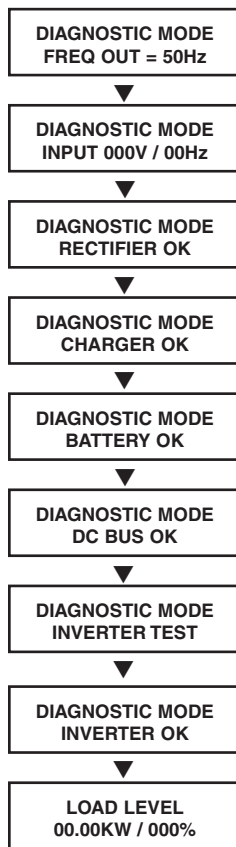
Erase All: used to clear the Fault Event Log. From the STARTUP MENU, scroll DOWN↓ until you reach the UPS ALARM LOG screen. From here, press ON to reach the READ FROM MEMORY screen and press DOWN↓ for the ERASE ALL screen. From here you can scroll DOWN↓ or UP↑ between Yes and No. Press ON to save your selection. You will now be presented with a SURE? screen. Press ON to save or scroll for more options.



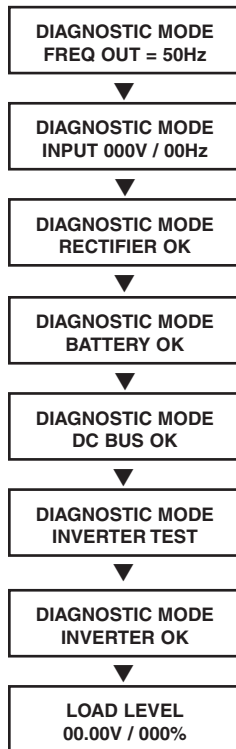
Operation (continued)

Self Diagnosis Information

When starting with AC power, you will see the following sequence display:



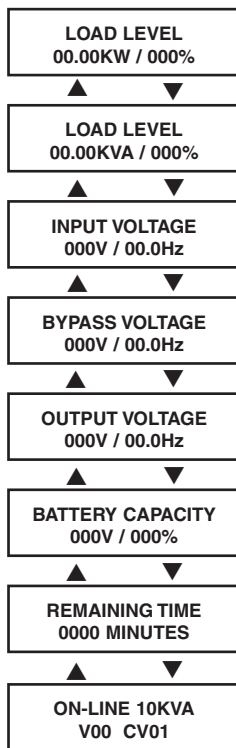
When starting on battery power, you will see the following sequence display:



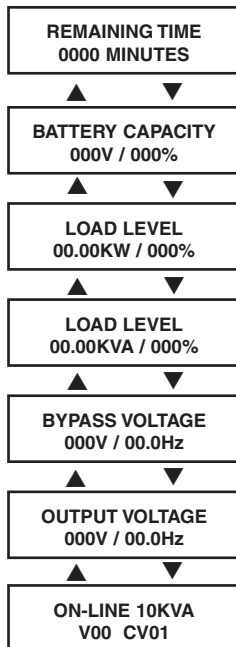
Operation (continued)

Display Information-Online Mode

When operating in Online Mode with AC power present, you will see the following sequence display:



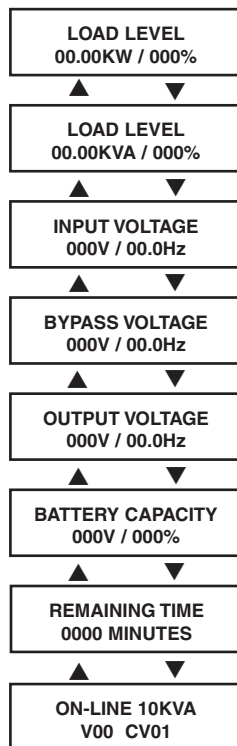
When operating in Online Mode under battery power, you will see the following sequence display:



Operation (continued)

Display Information-Bypass Mode

When operating in Bypass Mode, you will see the following sequence display:



UPS Fault Shutdown Messages

CONDITION	LCD DISPLAY MESSAGES
+BUS >450V	+ DC BUS HIGH SHUTDOWN
Load <100%: +BUS <320V Load >100%: +BUS <290V	+ DC BUS LOW SHUTDOWN
-BUS >450V	- DC BUS HIGH SHUTDOWN
Load <100%: -BUS <320V Load >100%: -BUS <290V	- DC BUS LOW SHUTDOWN
BUS Voltage Over 500	BUS OVP FAIL SHUTDOWN
Output Short	OUTPUT SHORT SHUTDOWN
UPS Over Temperature	OVER TEMPERATURE SHUTDOWN
Output SCR Open Failure	OUTPUT SCR FAIL SHUTDOWN
Output Overload	OVERLOAD SHUTDOWN
Bypass SCR Short	BYPASS SCR FAIL SHUTDOWN
Input SCR Rectifier Failure	RECTIFIER FAIL SHUTDOWN
Inverter Output Voltage Failure	INVERTER SHUTDOWN
Input Fuse Open	I / P FUSE BROKEN SHUTDOWN
Output Fuse Open	O / P FUSE BROKEN SHUTDOWN
Parallel ID Lost	PARALLEL FAULT SHUTDOWN

Operation (continued)

On Battery Alarm

When in the On Battery mode, the UPS power module will beep to inform you that it is using battery power to support connected equipment. If its connected batteries are at more than half capacity, it will beep every two seconds. If its connected batteries are below half capacity, it will beep twice a second. If its connected batteries are nearly depleted, the UPS power module will beep continuously.

To silence the On Battery Alarm, press the “ON/MUTE” button.

Overload Messages

When the UPS detects an output overload, its LCD will switch to the following display:

OVERLOAD! LOAD = XXX% X.XXKW

The UPS will then begin a countdown. If the UPS is still overloaded at the end of the countdown, the UPS will automatically go to Bypass Mode to protect its inverter. The duration of the countdown varies with the severity of the overload, as follows:

Overload Condition	Countdown Duration
106% - 125%	1 minute
126% - 150%	30 seconds
>150%	Immediate

Bypass Messages

While in Bypass Mode, the UPS monitors its input voltage and passes that input power along to connected equipment. The UPS will not provide battery backup in Bypass Mode.

If the output voltage deviates from an acceptable range (between 15% higher and 20% lower than nominal), the UPS displays the condition on its LCD and stops supplying output power to its load. If power levels return to an acceptable level, the UPS resumes supplying power to the load, and its LCD reports that output voltage was too high or too low at one time, but has returned to nominal.

BYPASS VOLTAGE CONDITIONS	LCD DISPLAY MESSAGES	
>15% Higher Than Nominal	<table border="1"><tr><td>BYPS OUT OF VOLT XXXV / XX.X HZ</td></tr></table>	BYPS OUT OF VOLT XXXV / XX.X HZ
BYPS OUT OF VOLT XXXV / XX.X HZ		
>20% Lower Than Nominal	<table border="1"><tr><td>BYPS OUT OF VOLT XXXV / XX.X HZ</td></tr></table>	BYPS OUT OF VOLT XXXV / XX.X HZ
BYPS OUT OF VOLT XXXV / XX.X HZ		

Operation (continued)

Shutdown Messages

Your UPS will shut down and the LCD will display a message if it detects one of the following conditions. Note: During all these conditions, the “Input,” “Output” and “Bypass” LEDs will be illuminated.

SHUTDOWN CONDITIONS	LCD DISPLAY MESSAGES
Extended Overload	SHUT DOWN OVERLOAD XXX%
Output Short Circuit	SHUT DOWN O/P SHORT CIRCUIT
Remote Shutdown Command (Via DB9)	SHUT DOWN REMOTE COMMAND
Remote Shutdown Command (Via EPO)	SHUT DOWN EMERGENCY STOP!
Internal Faults	SHUT DOWN + DC BUS HIGH
	SHUT DOWN + DC BUS LOW
	SHUT DOWN - DC BUS HIGH
	SHUT DOWN - DC BUS LOW
	SHUT DOWN OVERTEMPERATURE

Storage and Service

Storage

Before storing your UPS, turn it completely OFF. If you store your UPS for an extended period of time, recharge the UPS batteries for 4 to 6 hours once every three months. Note: after you connect the UPS to utility power, it will automatically begin charging its batteries. If you leave your UPS batteries discharged for an extended period of time, they will suffer a permanent loss of capacity.

Service

Your SmartOnline UPS is covered by the 2-year limited warranty period described below. A variety of Extended Warranty and On-Site Service Programs are also available from Tripp Lite. For more information on service, visit www.tripplite.com/support. Before returning your UPS for service, follow these steps:

1. Review the installation and operation procedures in this manual to insure that the service problem does not originate from a misreading of the instructions.
2. If the problem continues, do not contact or return the UPS to the dealer. Instead, visit www.tripplite.com/support
3. If the problem requires service, visit www.tripplite.com/support and click the Product Returns link. From here you can request a Returned Material Authorization (RMA) number, which is required for service. This simple on-line form will ask for your unit's model and serial numbers, along with other general purchaser information. The RMA number, along with shipping instructions will be emailed to you. Any damages (direct, indirect, special or consequential) to the UPS incurred during shipment to Tripp Lite or an authorized Tripp Lite service center is not covered under warranty. UPS systems shipped to Tripp Lite or an authorized Tripp Lite service center must have transportation charges prepaid. Mark the RMA number on the outside of the package. If the UPS system is within the 2-year warranty period, enclose a copy of your sales receipt. Return the UPS for service using an insured carrier to the address given to you when you request the RMA.

Warranty and Warranty Registration

2-Year Limited Warranty

TRIPP LITE warrants its products including batteries to be free from defects in materials and workmanship for a period of two years from the date of initial purchase. After 90 days from the date of purchase, TRIPP LITE's obligation under this warranty is limited to replacing parts on such defective products. To obtain service under this warranty, you must call TRIPP LITE or an authorized TRIPP LITE service center. Products must be returned to TRIPP LITE or an authorized TRIPP LITE service center with transportation charges prepaid and must be accompanied by a brief description of the problem encountered and proof of date and place of purchase. This warranty does not apply to equipment which has been damaged by accident, negligence or misapplication or has been altered or modified in any way. This warranty applies only to the original purchaser who must have properly registered the product within 10 days of purchase.

The warranties of all TRIPP LITE surge suppressors are null and void if they have been connected to the output of any UPS system. The warranties of all TRIPP LITE UPS Systems are null and void if a surge suppressor has been connected to its output receptacles.

EXCEPT AS PROVIDED HEREIN, TRIPP LITE MAKES NO WARRANTIES, EXPRESS OR IMPLIED, INCLUDING WARRANTIES OF MERCHANTABILITY AND FITNESS FOR A PARTICULAR PURPOSE. Some states do not permit limitation or exclusion of implied warranties; therefore, the aforesaid limitation(s) or exclusion(s) may not apply to the purchaser.

EXCEPT AS PROVIDED ABOVE, IN NO EVENT WILL TRIPP LITE BE LIABLE FOR DIRECT, INDIRECT, SPECIAL, INCIDENTAL OR CONSEQUENTIAL DAMAGES ARISING OUT OF THE USE OF THIS PRODUCT, EVEN IF ADVISED OF THE POSSIBILITY OF SUCH DAMAGE. Specifically, TRIPP LITE is not liable for any costs, such as lost profits or revenue, loss of equipment, loss of use of equipment, loss of software, loss of data, costs of substitutes, claims by third parties, or otherwise.

WARRANTY REGISTRATION

Visit www.tripplite.com/warranty today to register the warranty for your new Tripp Lite product. You'll be automatically entered into a drawing for a chance to win a FREE Tripp Lite product!* * No purchase necessary. Void where prohibited. Some restrictions apply. See website for details.

FCC Part 68 Notice (United States Only)

If your Modem/Fax Protection causes harm to the telephone network, the telephone company may temporarily discontinue your service. If possible, they will notify you in advance. If advance notice isn't practical, you will be notified as soon as possible. You will be advised of your right to file a complaint with the FCC. Your telephone company may make changes in its facilities, equipment, operations or procedures that could affect the proper operation of your equipment. If it does, you will be given advance notice to give you an opportunity to maintain uninterrupted service. If you experience trouble with this equipment's Modem/Fax Protection, please visit www.tripplite.com/support for repair/warranty information. The telephone company may ask you to disconnect this equipment from the network until the problem has been corrected or you are sure the equipment is not malfunctioning. There are no repairs that can be made by the customer to the Modem/Fax Protection. This equipment may not be used on coin service provided by the telephone company. Connection to party lines is subject to state tariffs. (Contact your state public utility commission or corporation commission for information.)

Regulatory Compliance Identification Numbers

For the purpose of regulatory compliance certifications and identification, your Tripp Lite product has been assigned a unique series number. The series number can be found on the product nameplate label, along with all required approval markings and information. When requesting compliance information for this product, always refer to the series number. The series number should not be confused with the marking name or model number of the product.

WEEE Compliance Information for Tripp Lite Customers and Recyclers (European Union)

Under the Waste Electrical and Electronic Equipment (WEEE) Directive and implementing regulations, when customers buy new electrical and electronic equipment from Tripp Lite they are entitled to:

- Send old equipment for recycling on a one-for-one, like-for-like basis (this varies depending on the country)
- Send the new equipment back for recycling when this ultimately becomes waste

The policy of Tripp Lite is one of continuous improvement. Specifications are subject to change without notice.



1111 W. 35th Street, Chicago, IL 60609 USA
www.tripplite.com/support

Manual del propietario

SmartOnline™ monofásico de 8 kVA-10 kVA

Sistemas de alimentación ininterrumpida (UPS)
inteligentes realmente en línea (montaje en bastidor/torre)

- Incluye módulo de energía, módulo de batería externa y unidad de distribución de energía (PDU)
 - La PDU desmontable incorpora salidas e interruptor de sobrepaso para mantenimiento*
 - Apto para montaje en bastidor o torre

* Disponible PDU opcional desmontable con conexión por cable. Para más información, póngase en contacto con Tripp Lite.

No conveniente para los usos móviles.

Advertencias de seguridad importantes	28
Montaje	29
Características	30
Conexión	32
Conexión opcional	34
Procedimiento de derivación manual	35
Especificaciones	37
Funcionamiento	38
Almacenamiento y servicio	52
Garantía	52
English	1
Français	53
Русский	79



1111 W. 35th Street, Chicago, IL 60609 USA
www.tripplite.com/support

Copyright © 2011 Tripp Lite. Todos los derechos reservados. SmartOnline es una marca comercial de Tripp Lite.

Advertencias de seguridad importantes



CONSERVE ESTAS INSTRUCCIONES. Este manual contiene instrucciones y advertencias importantes que deben seguirse durante la instalación y el mantenimiento de todos los sistemas UPS SmartOnline de Tripp Lite de montaje en torre o en bastidor, y de sus baterías. La falta de observar estas advertencias podría afectar su garantía.

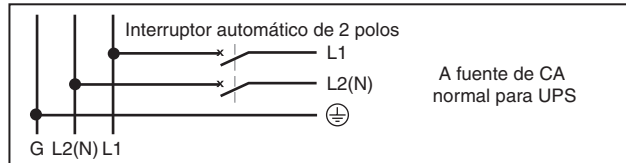
Advertencias sobre la ubicación del UPS

- Instale el UPS en interiores, lejos del exceso de humedad o calor, la luz solar directa, el polvo o los contaminantes conductores.
- Instale el UPS en una zona estructuralmente segura. El UPS es muy pesado, por lo que debe tener cuidado al moverlo o levantarlo.
- Haga funcionar el UPS únicamente a temperaturas de interior de entre 0 y 40 °C. Para obtener los mejores resultados, mantenga una temperatura de interior de entre 17 y 29 °C.
- Deje suficiente espacio alrededor de todo el UPS para que pueda ventilarse de forma adecuada.
- No instale el UPS cerca de medios de almacenamiento magnéticos, ya que esto podría dañar los datos.
- **No monte esta unidad con el panel frontal o con el panel trasero hacia abajo (Bajo ningún ángulo o inclinación). Si lo monta de esta manera, inhibirá seriamente el sistema de enfriamiento interno de la unidad; lo que finalmente causará daños al producto que no están cubiertos por la garantía.**

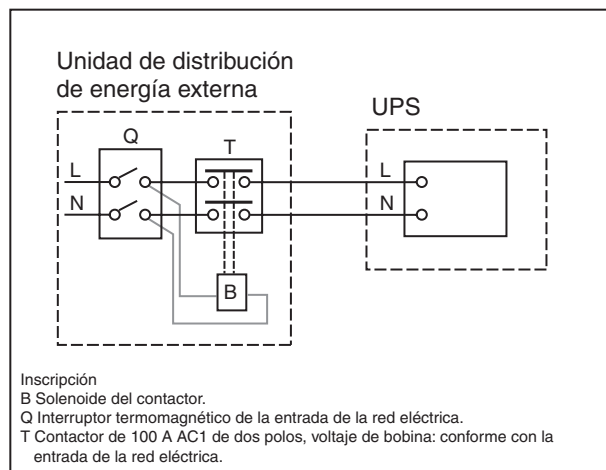
Advertencias sobre la conexión del UPS

- Aísle el UPS antes de trabajar en su circuito.
- Dispositivos de protección requeridos y cortes transversales del cable. Protección recomendada para contra-corriente.

Capacidad de potencia del UPS	Interruptor automático de contracorriente
8kVA	D curva -63A
10kVA	D curva -83A



- La fuente de alimentación de esta unidad debe ser monofásica y coincidente con las especificaciones de la placa de datos del equipo, y estar puesta a tierra adecuadamente.



Observación: Q necesita usar el componente aprobado de Safety Certification.

Advertencias sobre la conexión del equipo

- El uso de este equipo en aplicaciones de soporte de vida en donde la falla de este equipo pueda razonablemente hacer suponer que causará fallas en el equipo de soporte de vida o afecte significativamente su seguridad o efectividad, no está recomendado. No use este equipo en la presencia de una mezcla anestésica inflamable con aire, oxígeno u óxido nitroso.
- Conecte el terminal de tierra del módulo de energía del UPS a un conductor electródico de puesta a tierra.
- El UPS está conectado a una fuente de energía de corriente continua (batería). Los terminales de salida pueden tener corriente cuando el UPS no esté conectado a una fuente de corriente alterna.

Advertencias de mantenimiento

- Ni el módulo de energía ni los módulos de batería del UPS requieren un mantenimiento de rutina. No los abra bajo ningún concepto. No contienen piezas reparables por el usuario.

Advertencias sobre la batería

- No haga funcionar el UPS sin conectarlo a un módulo de batería externa.
- Conecte únicamente módulos de batería Tripp Lite al conector de baterías externas del módulo de energía del UPS.
- Tome las precauciones adecuadas, ya que las baterías pueden suponer un peligro de descarga eléctrica y quemaduras por las altas corrientes de cortocircuito. No arroje las baterías al fuego. No abra el UPS ni las baterías, ni puentee o ponga en derivación los terminales de la batería con ningún objeto. Apague y desenchufe el UPS antes de sustituir la batería y utilice herramientas con mangos aislados. El UPS no contiene piezas reparables por el usuario. Las baterías sólo deben ser sustituidas por personal técnico autorizado, utilizando el mismo número y tipo de baterías (plomo-ácido selladas). Las baterías son reciclables. Consulte la reglamentación local para conocer los requisitos de eliminación de residuos. Si se encuentra en España, puede llamar al teléfono 915 976 000 del Ministerio de Medio Ambiente y Medio Rural y Marino, o visitar www.mma.es/portal/secciones/calidad_contaminacion/residuos/ para obtener información relativa al reciclado. Tripp Lite ofrece una línea completa de cartuchos de sustitución para baterías de sistemas UPS. Visite la página web www.tripplite.com/support/battery/index.cfm para encontrar una batería de sustitución específica para su UPS.
- No abra las baterías ni las mutilé. El electrolito liberado es nocivo para la piel y los ojos, y puede ser tóxico.
- Los fusibles sólo deben ser sustituidos por personal autorizado por la fábrica. Los fusibles fundidos sólo deben sustituirse por otros del mismo número y tipo.
- El servicio y la reparación sólo deben llevarse a cabo por personal cualificado. Durante cualquier trabajo por parte del servicio técnico, el UPS debe apagarse o derivarse de forma manual mediante el transformador. Tenga en cuenta que esta unidad contiene voltajes que podrían causar la muerte mientras se encuentra conectada la alimentación a la batería.
- No conecte ni desconecte los módulos de batería mientras ésta sea la fuente de alimentación del UPS, o cuando la PDU desmontable no esté en modo derivación.
- Durante la sustitución de un módulo de batería "en caliente", el UPS no puede proporcionar una batería de reserva en caso de producirse un fallo en el servicio eléctrico.
- Conecte únicamente módulos de batería compatibles.

Montaje (bastidor)

Monte su equipo en un bastidor o en una caja de bastidor de 2 ó 4 postes. El usuario debe determinar la idoneidad de los materiales y los procedimientos antes del montaje. Si los materiales y procedimientos no son adecuados para su aplicación, póngase en contacto con el fabricante del bastidor o caja de bastidor. Los procedimientos descritos en este manual están indicados para bastidores o cajas de bastidores comunes, y podrían no ser apropiados para todas las aplicaciones.

Nota: El módulo de energía y el módulo de batería deben instalarse en estantes separados.

Montaje de 4 postes

1 Las espigas de plástico incluidas **A** sostienen temporalmente los anaqueles vacíos de montaje en bastidor **B** mientras instala las piezas de montaje permanentes. Introduzca una espiga cerca del centro de las abrazaderas delantera y trasera de cada anaquel, tal como se muestra (las abrazaderas delanteras tienen 6 orificios y las traseras 3). Las espigas se fijarán en su posición.

Después de instalar las espigas, extienda los anaqueles hasta adecuarlos a la profundidad de los rieles del bastidor. Las espigas encajarán a través de los orificios cuadrados de los rieles del bastidor para sostener los anaqueles. Consulte las etiquetas del bastidor para confirmar que los anaqueles se encuentran nivelados en todas las direcciones. **Nota: Los bordes de apoyo de los anaqueles deben mirar hacia dentro.**

2 Fije los anaqueles **B** de forma permanente a los rieles utilizando los tornillos y las arandelas acopadas **C** incluidos, tal como se muestra.

- Para el montaje de equipos en 2U, coloque 4 tornillos en total en la parte delantera y 4 en total en la trasera.
- Para el montaje de equipos en 3U, coloque 6 tornillos en total en la parte delantera y 4 en total en la trasera.

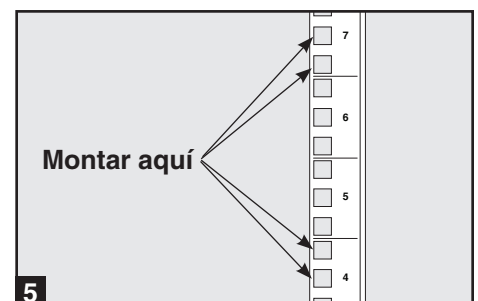
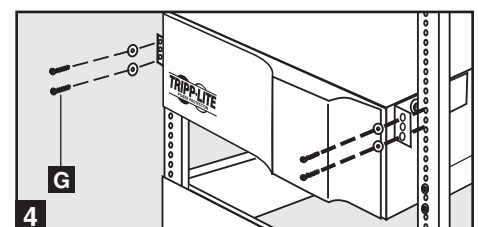
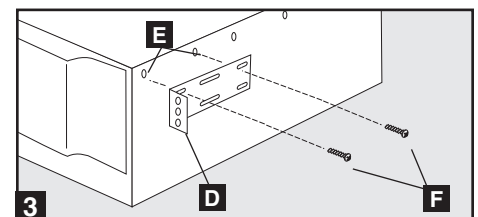
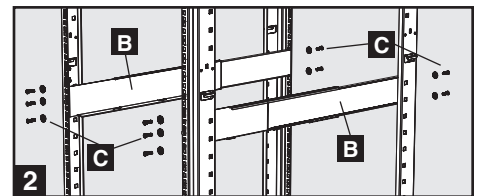
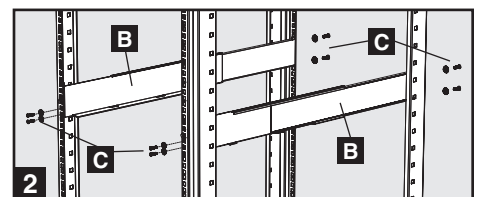
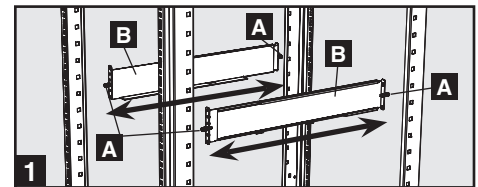
Apriete todos los tornillos antes de continuar.

Advertencia: No intente instalar el equipo hasta que haya introducido y apretado los tornillos necesarios. Las espigas de plástico no están preparadas para soportar el peso del equipo.

3 Fije las orejas de montaje **D** a los orificios de montaje delanteros del equipo **E** utilizando los tornillos suministrados **F**. Las orejas deben mirar hacia adelante.

4 Con la ayuda de otra persona, levante el equipo y deslícelo en los anaqueles de montaje. Fije el equipo al bastidor pasando los tornillos, las tuercas y las arandelas (suministrados por el usuario) **G** a través de las orejas de montaje y dentro de los rieles del bastidor.

5 (Opcional) Fije 2 abrazaderas de soporte para la PDU en el lateral derecho del riel de montaje trasero utilizando los tornillos y las tuercas de jaula incluidos. Importante: el lugar de fijación de las abrazaderas de soporte para la PDU depende de la configuración del bastidor. En general se recomienda montar la abrazadera superior en los dos orificios cuadrados inferiores del espacio U en el que están montados el UPS y la PDU. La segunda abrazadera debe instalarse a 3U menos y colocarse en los dos orificios cuadrados superiores de la U. Por ejemplo, si la PDU y el UPS están montados en 7U, la primera abrazadera se instalará en los dos orificios cuadrados inferiores de 7U, y la segunda en los dos orificios cuadrados superiores de 4U.



Montaje de 2 postes (opcional)

Para montar el equipo en un bastidor de 2 postes, debe adquirir un kit de instalación de Tripp Lite para montaje en bastidor de 2 postes (modelo 2POSTRMKITWM, se vende por separado) para cada módulo instalado. Consulte el manual del propietario del kit de instalación para obtener las instrucciones de montaje completas.

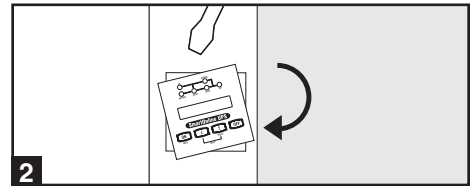
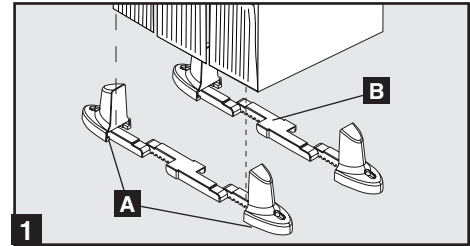
Montaje (torre)

Monte todos los módulos en una posición vertical, de torre, utilizando las plataformas incluidas. El usuario debe determinar la idoneidad de los materiales y los procedimientos antes del montaje.

1 El sistema UPS se entrega con dos juegos de patas de plástico **A** y extensiones **B** que pueden usarse para montar en torre el módulo de energía del UPS, un módulo de batería y un segundo módulo de batería (total 9U).

Ajuste el pie a una anchura de 26 cm si va a instalar un módulo de energía y un módulo de batería, o bien a una anchura de 39 cm si necesita instalar tres unidades. Alinee las patas en la zona de instalación, con una distancia de unos 26 cm de separación. Pida a una o más personas que lo ayuden a colocar de forma adosada las unidades en las patas. El panel de control del UPS debe estar situado en la esquina superior del mismo, y mirar hacia fuera.

2 Gire el panel de control del módulo de energía para verlo mejor mientras el UPS esté montado en torre. Introduzca un pequeño destornillador u otra herramienta en las ranuras de cualquiera de los lados del panel de control, saque el panel, gírelo y vuelva a colocarlo en su sitio.

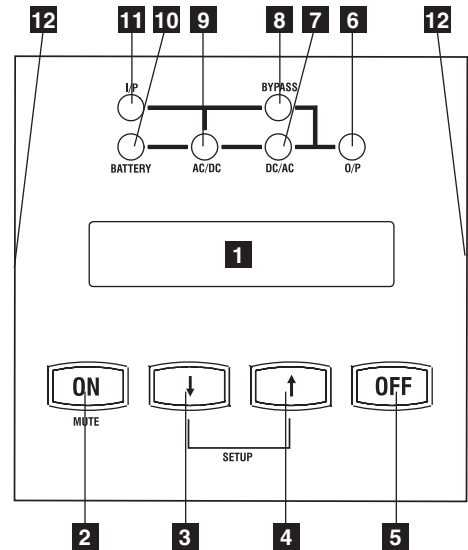


Características

Antes de instalar y poner en marcha el UPS, familiarícese con la ubicación y el cometido de los elementos de cada componente.

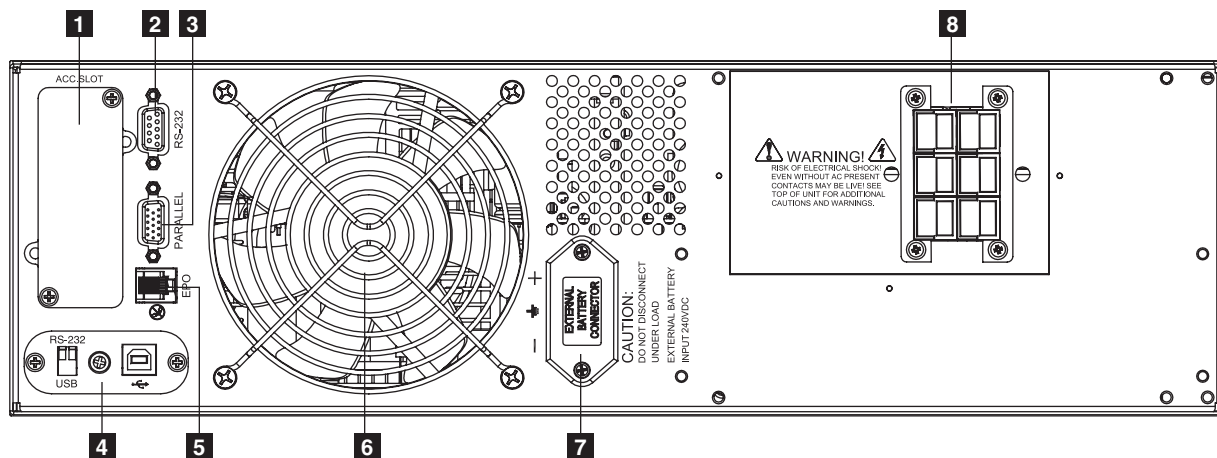
Controles del panel frontal del módulo de energía

- 1 PANTALLA LCD:** esta pantalla de matriz de puntos retroiluminada (16 x 2 caracteres) indica una amplia gama de condiciones de funcionamiento y datos de diagnóstico del UPS. También muestra la configuración y las opciones del UPS cuando éste se encuentra en modo de configuración.
- 2 BOTÓN ON/MUTE (encendido/silencio):** mantenga este botón pulsado hasta escuchar un pitido para encender el inversor del UPS. Si suena la alarma de la batería del UPS, pulse este botón para silenciarla.
- 3 BOTÓN DESPLAZAR HACIA ABAJO/SALIR DE LA CONFIGURACIÓN:** este botón le permite desplazarse por las distintas opciones y lecturas de energía en la pantalla LCD. Si lo pulsa momentáneamente, la pantalla LCD muestra una lectura de energía diferente (véase "Funcionamiento", página 38). Si lo pulsa junto con el botón DESPLAZAR HACIA ARRIBA, el UPS pasa al modo de configuración, donde este botón se utiliza para desplazarse por las opciones de configuración y para salir del modo de configuración.
- 4 BOTÓN DESPLAZAR HACIA ARRIBA/SELECT (seleccionar):** este botón le permite desplazarse por las diferentes opciones y lecturas de energía en la pantalla LCD. Si lo pulsa momentáneamente, la pantalla LCD muestra una lectura de energía diferente. Si lo pulsa junto con el botón DESPLAZAR HACIA ABAJO, el UPS pasa al modo de configuración, donde este botón se utiliza para seleccionar las opciones de configuración.
- 5 BOTÓN OFF (apagado):** pulse este botón hasta escuchar un pitido para apagar el inversor del UPS.
- 6 LED O/P (salida):** esta luz verde se ilumina para indicar que el UPS está suministrando energía de corriente alterna al equipo conectado.
- 7 LED DC/AC (CC/CA - inversor):** esta luz verde se ilumina para indicar que el inversor de CC/CA del UPS está activado.
- 8 LED BYPASS (derivación):** esta luz verde se ilumina cuando el UPS está proporcionando alimentación de red filtrada sin comprometer al convertidor ni al inversor. Cuando este LED está iluminado, el equipo conectado no recibe energía de la batería en caso de producirse un fallo en el servicio eléctrico, a menos que el modo ECO se encuentre habilitado.
- 9 LED AC/DC (CA/CC - convertidor):** esta luz verde se ilumina para indicar que el convertidor de CA/CC está cargando los grupos de baterías conectados.
- 10 LED BATTERY (batería):** esta luz verde se ilumina cuando el UPS está descargando la batería para proporcionar energía de corriente alterna al equipo conectado. Suena una alarma que puede silenciarse pulsando el botón ON/MUTE. El LED permanece iluminado después de silenciarse la alarma.
- 11 LED I/P (entrada):** esta luz verde se ilumina para indicar que existe un suministro de entrada de corriente alterna.
- 12 RANURAS DE ACCESO:** para girar los controles, introduzca un destornillador de cabeza plana en estas ranuras y extraiga suavemente el panel haciendo palanca. Con cuidado de no torcer o tirar excesivamente de los cables que conectan los controles al resto del UPS, gire los controles hasta la orientación deseada e introdúzcalos nuevamente.

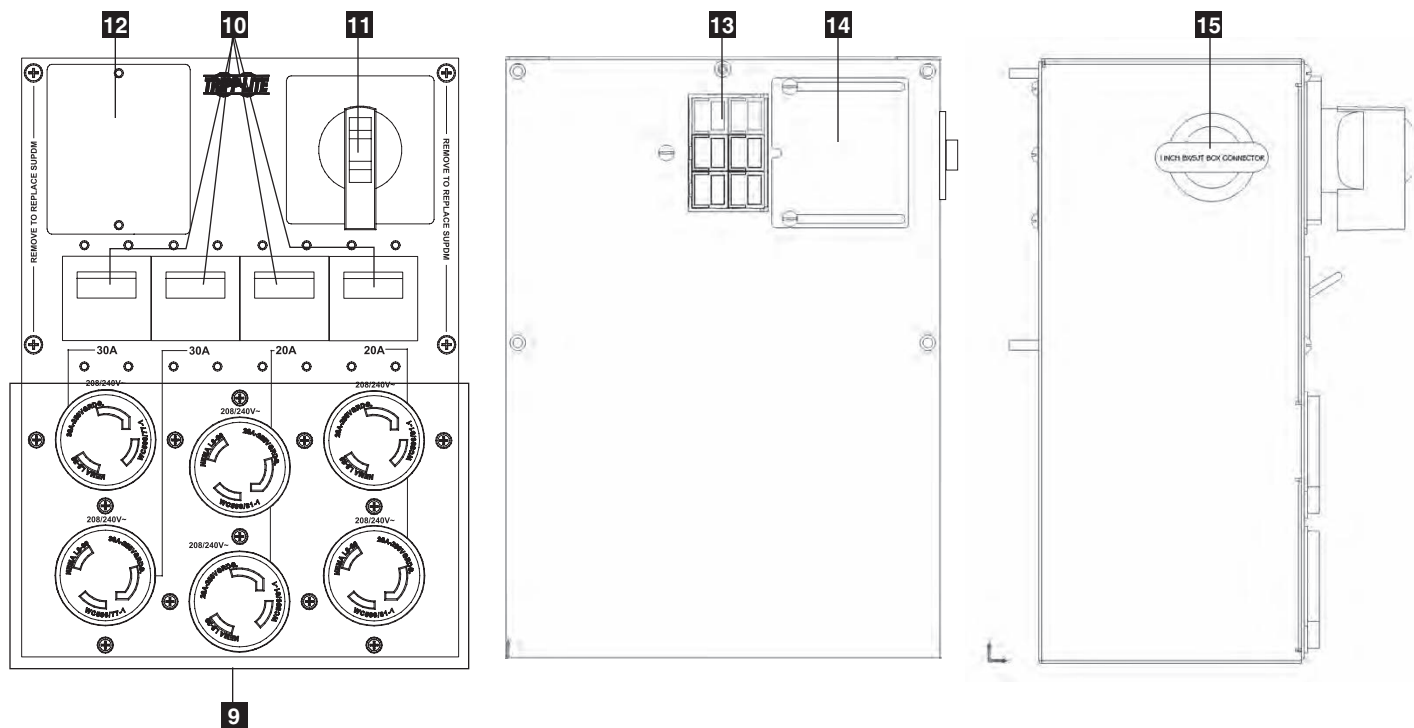


Características (panel trasero). Vea una descripción de los elementos en la página 32

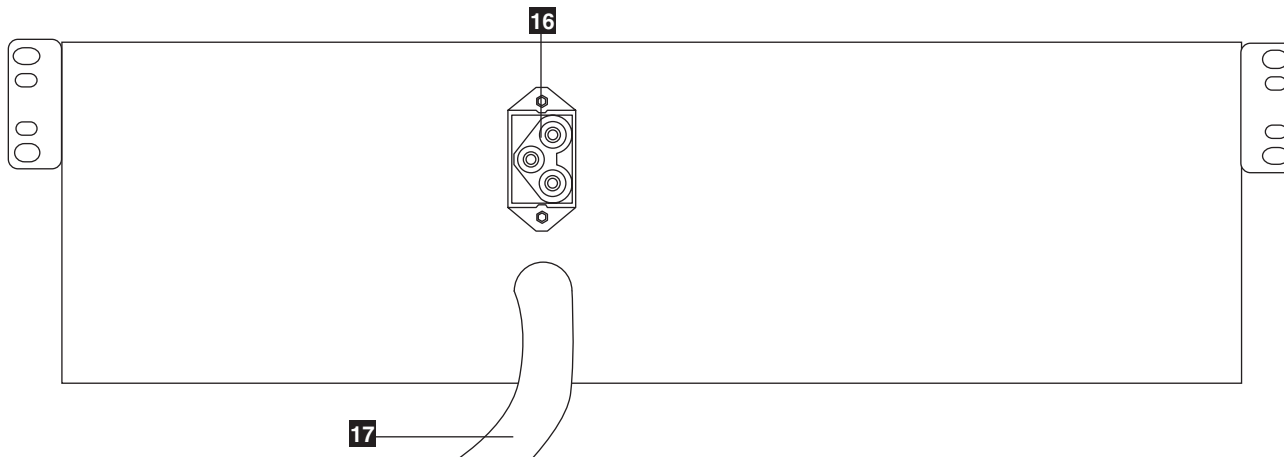
Módulo de energía de 8 kVA/10kVA



Unidad desmontable de distribución de energía



Módulo de batería



Características (panel trasero)

Descripción de los elementos del módulo de energía

- 1 Zócalo de accesorios:** retire el pequeño panel de cubierta para instalar accesorios opcionales que le permitan manejar y controlar el UPS de forma remota. Visite la página web de Tripp Lite (www.tripplite.com) para obtener más información sobre los productos de conectividad, administración de redes y protocolo simple para administración de redes (SNMP) que se encuentran disponibles para su instalación en este zócalo.
- 2 Puerto de comunicaciones RS-232:** este puerto serie DB9 hembra puede usarse para conectar el UPS a una estación de trabajo o un servidor, y utiliza el protocolo RS-232 para comunicarse con el ordenador conectado. Se emplea con el software de Tripp Lite y el cable serie incluido para controlar y administrar el UPS de forma remota en una red, así como para guardar automáticamente los archivos abiertos y apagar el equipo durante un fallo en el servicio eléctrico. Para obtener más información, consulte “Conexión opcional”. En caso de ser necesario, hay disponible una tarjeta de cierre de contactos opcional (N.º de parte Tripp Lite RELAYIOCARD).
- 3 Conector paralelo:** se utiliza para la comunicación en paralelo del UPS.
- 4 Puerto de comunicaciones USB:** el puerto USB puede usarse para conectar el UPS a una estación de trabajo o un servidor. Se emplea con el software de Tripp Lite y el cable USB incluido para controlar y administrar el UPS de forma remota en una red, así como para guardar automáticamente los archivos abiertos y apagar el equipo durante un fallo en el servicio eléctrico. Para obtener más información, consulte “Conexión opcional”. Para las comunicaciones USB, ambos conmutadores DIP deben estar en posición ON, lo cual deshabilita el puerto RS-232.
- 5 Puerto EPO (apagado de emergencia):** se utiliza para conectar el módulo de energía a un conmutador de cierre de contactos, de modo que se habilite el apagado de emergencia. Para obtener más información, consulte “Conexión opcional”.
- 6 Ventilador extractor:** refrigera y ventila el interior del módulo de energía.
- 7 Conector de batería externa:** utilícelo para conectar uno o más módulos de batería de Tripp Lite al módulo de energía. Para acceder a él, retire la cubierta. El módulo de energía no arranca si no está conectado a un módulo de batería cargada. Consulte el manual del propietario del módulo de batería para obtener instrucciones sobre la conexión y advertencias de seguridad.
- 8 Bloque de terminales de entrada:** utilice estos terminales para conectar el módulo de energía a la PDU desmontable.

Descripción de los elementos de la unidad desmontable de distribución de energía

- 9 Tomas de salida de CA:** admiten la conexión directa de enchufes de equipos NEMA L6-30P o NEMA L6-20P.
- 10 Interruptores de salida de CA:** controlan la energía que sale hacia las tomas de salida de CA de la PDU.
- 11 Interruptor de sobrepaso para mantenimiento:** permite al personal cualificado del servicio técnico quitar la PDU del módulo de energía para realizar labores rutinarias de mantenimiento sin interrumpir el paso de energía a la carga. Cuando este interruptor se pone en BYPASS, la carga recibe energía no filtrada de corriente alterna de la red, y la energía de la batería de reserva deja de estar disponible en caso de producirse un fallo en el servicio eléctrico. Si desea obtener información detallada sobre los procedimientos de derivación manual, consulte la sección “Procedimiento de derivación manual”. **¡ADVERTENCIA! Sólo para personal cualificado del servicio técnico. Si no se sigue el procedimiento completo de derivación (véase “Procedimiento de derivación manual”, página 36), el UPS no se apaga de forma adecuada y puede suponer un peligro de muerte o lesión grave debido al contacto con el alto voltaje.**
- 12 Bloque de terminales de entrada de energía de la red:** utilice estos terminales para conectar la PDU a la energía de la red. Para acceder a los terminales, desatornille y retire la cubierta del bloque de terminales.
- 13 Caja de terminales de entrada del módulo de energía:** utilice estos terminales para conectar la PDU al módulo de energía.
- 14 Cubierta deslizante para los terminales de entrada del módulo de energía:** deslice esta cubierta sobre los terminales una vez haya separado la PDU del módulo de energía durante el procedimiento de derivación manual (página 36).
- 15 Acceso a los cables del bloque de terminales de entrada:** se encuentra ubicado en el lateral izquierdo de la PDU.

Descripción de los elementos del módulo de batería

- 16 Conector de entrada:** utilice este conector para conectar otros módulos de batería al primer módulo en una cadena tipo margarita. Para acceder a él, retire el panel de cubierta. Consulte el manual del propietario del módulo de batería para obtener instrucciones sobre la conexión y advertencias de seguridad.
- 17 Cable de salida:** utilice este cable para conectar el módulo de batería al módulo de energía o a otro módulo de batería. El módulo de energía no arranca si no está conectado a un módulo de batería cargada. Consulte el manual del propietario del módulo de batería para obtener instrucciones sobre la conexión y advertencias de seguridad.

Conexión

Precauciones con el cableado físico

- El cableado debe ser realizado por un electricista cualificado.
- Al realizar las conexiones de cableado, cumpla siempre la normativa de conexión de cables correspondiente a su zona. Asegúrese de instalar en el cableado físico un interruptor de desconexión fácilmente accesible, de modo que pueda cortar la entrada de corriente alterna al UPS durante un incendio u otras emergencias. Asegúrese de que los cables estén revestidos y sujetos por abrazaderas de conexión. Tense las conexiones con una torsión no inferior a 2,7-3,2 N.m.
- Asegúrese de que el equipo esté puesto a tierra adecuadamente.
- El uso de cables de un calibre no adecuado puede dañar el equipo y provocar riesgo de incendio. Elija cables adecuados y circuitos de protección para hacer las conexiones de cableado. Los conductores de tierra deben ser del mismo tipo y calibre que los conductores de energía utilizados.
- Consulte la normativa aplicable para obtener información sobre los calibres adecuados y los requisitos de los circuitos de protección de salida.

Valores nominales de entrada y salida

Modelo	Voltaje de entrada	Corriente de entrada nominal máxima	Corriente de salida nominal máxima	Calibre típico del cable
8kVA	208-240V (L - N)	46 A	40 A	8mm ² =8 AWG
10kVA	208-240V (L - N)	56 A	50 A	8mm ² =8 AWG

Conexión

Conexión de módulos entre sí, a la energía de la red y al equipo

1 Conecte la PDU al módulo de energía y al módulo de batería.

Alinee y conecte los terminales de entrada del módulo de energía de la PDU con los terminales de la parte trasera del módulo de energía. Fije la PDU al módulo de energía con cuatro tornillos **A**. Antes de continuar, asegúrese de que el interruptor de sobrepaso esté puesto en NORMAL. Retire la cubierta del bloque de terminales de entrada de energía de la red **B**.

2 Conecte físicamente la PDU a una fuente de energía de la red.

Pase un cable suministrado por el usuario a través del orificio ciego situado en el lateral izquierdo de la PDU **C** y conéctelo a los terminales de entrada de la misma **D**. Vuelva a colocar la cubierta del bloque de terminales. Conecte el otro extremo del cable a una fuente de energía de la red.

3 Conecte el módulo de batería al módulo de energía.

Consulte el manual del propietario suministrado con el módulo de batería. Introduzca completamente el conector del extremo del cable del módulo de batería **E** en el conector del panel trasero del módulo de energía **F**. Pueden producirse pequeñas chispas; esto es normal. NOTA: el módulo de energía no contiene baterías internas y no se pone en marcha hasta que no se conecta un módulo de batería. Los módulos de batería se cargan completamente antes de su envío. Sin embargo, antes de esperar una capacidad plena de reserva (especialmente si el módulo de batería ha estado almacenado mucho tiempo) tras la conexión del UPS a una fuente de energía de la red, deje que el módulo se recargue durante 12 horas. Una vez operativo, el UPS carga las baterías y mantiene el nivel de carga automáticamente. En caso necesario, conecte módulos de batería adicionales mediante conexiones de tipo margarita, introduciendo el cable de cada módulo en el conector del módulo anterior **G**.



Contactos del módulo de energía/batería

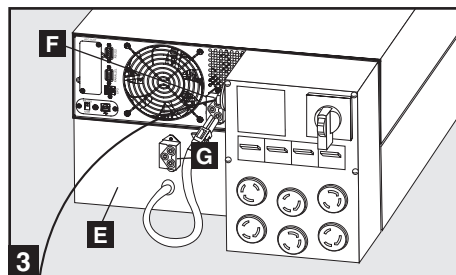
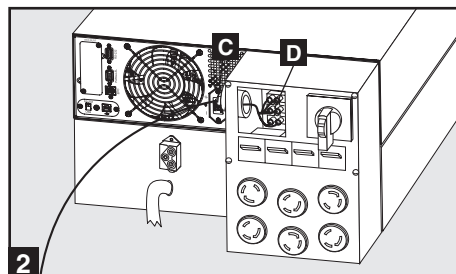
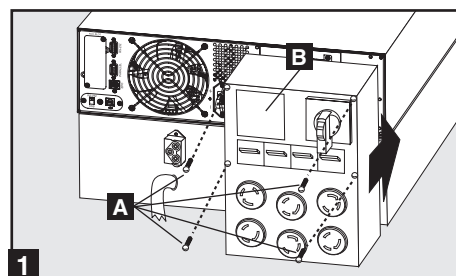
**¡ADVERTENCIA! ¡Alto voltaje!
¡Peligro de descarga eléctrica!**

Debido a la presencia de baterías internas de alto voltaje, estos contactos tienen corriente incluso sin presencia de CA. ¡No deje que estos contactos toquen ninguna superficie!



Contactos de la PDU desmontable ¡ADVERTENCIA! ¡Alto voltaje! ¡Peligro de descarga eléctrica!

Estos contactos tienen corriente si hay CA y el interruptor de sobrepaso está puesto en BYPASS. ¡No deje que estos contactos toquen ninguna superficie!



4 Encienda el UPS

Nota: El sistema UPS funcionará adecuadamente desde la puesta en marcha inicial, no obstante, la autonomía máxima de la batería de la unidad solo se alcanzará después de que se haya cargado durante 24 horas.

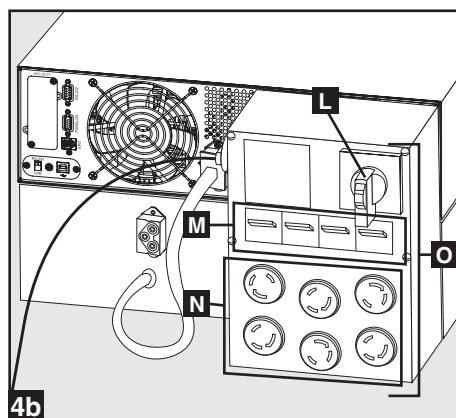
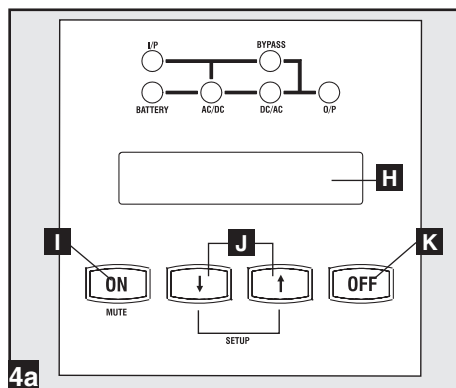
- Encienda el interruptor del UPS de la fuente de energía de la red. Esto dará corriente al módulo de energía del UPS y en la pantalla LCD del panel de control **H** aparecerá MODO DERIVACIÓN.
- Asegúrese de que el interruptor de sobrepaso manual del módulo PDU **L** esté puesto en NORMAL.
- Encienda los interruptores de los circuitos de salida de la PDU **M**.
- Ponga el UPS en MODO CONFIGURACIÓN. Inicie el MODO CONFIGURACIÓN manteniendo pulsados ambos botones de desplazamiento **J** al mismo tiempo.
- Desplácese por las opciones de configuración (utilizando los botones de desplazamiento **J**) y pulse el botón SELECT **I** para elegir los ajustes adecuados:

Voltaje de entrada y salida: seleccione 200, 208, 220, 230 ó 240 V CA.

Frecuencia de salida: el UPS seleccionará de forma automática 50 ó 60 Hz para que coincida con la entrada.

Modo ECO (ahorro): el UPS puede ofrecer un funcionamiento en línea con un tiempo de transferencia cero. También puede funcionar en un modo interactivo con la línea, con mayor eficiencia energética. Seleccione ACTIVAR ECO para elegir el modo interactivo con la línea, o bien DESACTIVAR ECO para elegir el modo en línea.

- Después de configurar las opciones, salga del MODO CONFIGURACIÓN utilizando los botones de desplazamiento **J**.
- Pulse el botón ON **I** del panel de control hasta que el UPS emita un pitido y, a continuación, suelte el botón.
- El UPS realizará una breve prueba de autocomprobación y mostrará los resultados en los LED del panel de control y en la pantalla LCD **H**. Para ver la secuencia de visualización, vea "Autocomprobación de arranque" en la sección "Funcionamiento".
- Una vez completada la autocomprobación, la pantalla LCD **H** muestra MODO EN LÍNEA o MODO ECO, en función de la opción seleccionada. Ahora el UPS está encendido.



Conexión

5 Conecte el equipo a las tomas de la PDU.

El UPS ha sido diseñado para admitir únicamente equipos electrónicos. Si los valores nominales totales de VA de todos los equipos conectados superan la capacidad de salida del UPS, éste sufrirá una sobrecarga. No conecte electrodomésticos ni impresoras láser a las tomas del UPS. Para averiguar los valores nominales de VA de sus equipos, consulte sus placas de datos. Si la capacidad del equipo viene indicada en amperios, multiplique el número de amperios por el voltaje de entrada (240 V o 208 V) para calcular los VA (por ejemplo, 1 amperio x 120 voltios = 120 VA).

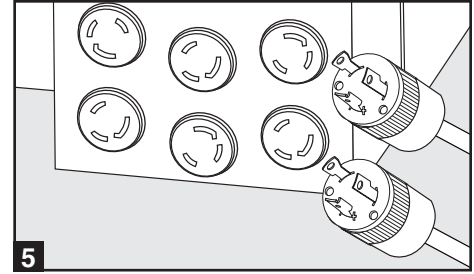
6 Apague el UPS (opcional)

1. Pulse el botón OFF **K** del panel de control hasta escuchar un pitido y, a continuación, suelte el botón. En la pantalla LCD **H** aparecerá MODO DERIVACIÓN. Ahora el inversor está apagado, pero el UPS no está completamente desactivado y la carga sigue teniendo corriente.
2. Apague los interruptores de los circuitos de salida **M** situados en la PDU desmontable. Ahora la carga ya no tendrá corriente y la pantalla LCD **H** quedará oscura.
3. Apague el interruptor del UPS de la fuente de energía de la red. Ahora el UPS está apagado y la pantalla LCD **H** quedará oscura.

7 Arranque en frío del UPS (opcional)

Durante un fallo en el servicio eléctrico o cualquier otro problema de entrada de energía, el UPS puede arrancarse en frío desde la batería (la batería debe estar cargada al menos parcialmente). **Nota: la configuración de salida del UPS no puede ajustarse mientras se encuentra funcionando con batería, por lo que usará la configuración de salida que ya se ha establecido previamente.**

1. Asegúrese de que el interruptor de sobrepaso manual de los módulos PDU **L** se encuentre en posición NORMAL.
2. Encienda los interruptores de los circuitos de salida del módulo PDU **M**.
3. Pulse el botón ON del panel de control **I** hasta que el UPS emita un pitido y, a continuación, suelte el botón. El inversor del UPS empezará a funcionar **H**. **Nota: algunos equipos electrónicos mueven más corriente durante el arranque. Al arrancar desde la batería, considere la conveniencia de reducir la carga inicial.**
4. El UPS realizará una breve prueba de autocomprobación y mostrará los resultados en los LED del panel de control y en la pantalla LCD. Para ver la secuencia de visualización, vea "Autocomprobación de arranque" en la sección "Funcionamiento".
5. Una vez completada la autocomprobación, la pantalla LCD **H** muestra MODO EN BATERÍA y se oye una alarma.
6. Ahora el UPS proporcionará energía a los equipos conectados hasta que la batería se haya descargado.



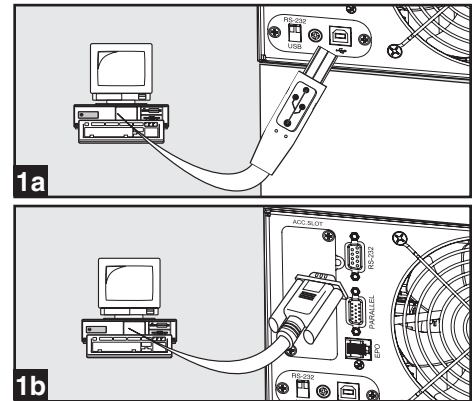
Conexión opcional

Las siguientes conexiones son opcionales. El UPS puede funcionar correctamente sin ellas.

1 Conexión de comunicación en serie USB y RS-232

Utilice el cable USB incluido **1a** y/o el cable serie RS-232 DB9 **1b** para conectar el puerto de comunicaciones de su ordenador al puerto de comunicaciones del UPS. Instale en su ordenador el software Tripp Lite PowerAlert adecuado para su sistema operativo. Para obtener más información, consulte el manual de PowerAlert.

Nota sobre el puerto de comunicaciones USB: el puerto USB puede usarse para conectar el UPS a una estación de trabajo o un servidor. Se emplea con el software de Tripp Lite y el cable USB incluido para controlar y administrar el UPS de forma remota en una red, así como para guardar automáticamente los archivos abiertos y apagar el equipo durante un fallo en el servicio eléctrico. Para obtener más información, consulte "Conexión opcional". Para las comunicaciones USB, ambos conmutadores DIP deben estar en posición ON, lo cual deshabilita el puerto RS-232.



Conexión opcional

2 Conexión de puerto EPO

Esta característica opcional es únicamente para aquellas aplicaciones que requieran conexión a un circuito de Apagado de Emergencia (EPO) de la instalación. Cuando se conecta el UPS a este circuito, permite el apagado de emergencia del inversor del UPS e inhibe la transferencia a un rodeo interno. Usando el cable proporcionado, conecte el puerto EPO de su UPS (ver **2a**) a un interruptor, proporcionado por el usuario, normalmente abierto o normalmente cerrado de acuerdo con el diagrama de circuito (ver **2b**).

Nota:

1. Si se usa un cable diferente al suministrado, éste no debe exceder 107m [350 pies] o tener una resistencia superior a 10 ohms.
2. Si se usa un interruptor de EPO sin seguro, el interruptor EPO deberá sujetarse por un mínimo de 1 segundo. Ésto no aplica a un interruptor EPO con seguro.

PRECAUCIÓN: El puerto EPO no es un supresor de sobretensiones de línea telefónica; no conecte una línea telefónica a este puerto.

Estado del UPS cuando activa EPO con línea CA presente:

LEDs	Salidas	Ventiladores	Serial	SNMP	USB	Pantalla LCD
Apagados	Apagadas	Apagados	Apagado	Apagado	Apagado	“Parada de Emergencia”

Para reiniciar el UPS después que se activa EPO con línea CA presente:

1. Verifique que la activación de EPO se ha eliminado o borrado.
2. Elimine la alimentación de línea CA a la unidad UPS.
3. Reconecte la energía de línea CA. Ahora el UPS comenzará el respaldo en el modo de Rodeo, y la pantalla LCD mostrará “BYPASS MODE” [Modo de Rodeo].

Estado del UPS cuando activa EPO sin línea CA presente:

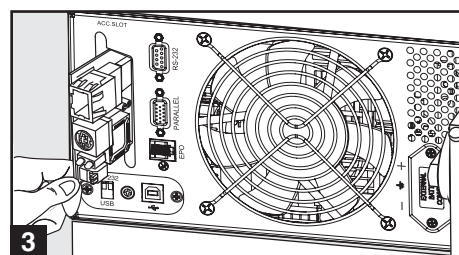
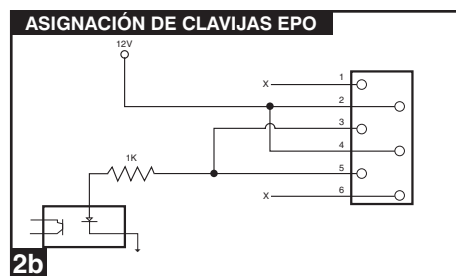
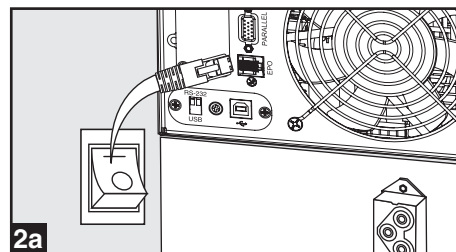
LEDs	Salidas	Ventiladores	Serial	SNMP	USB	Pantalla LCD
Apagados	Apagadas	Apagados	Apagado	Apagado	Apagado	“Parada de Emergencia”

Para reiniciar el UPS después que se activa EPO sin energía de línea CA:

1. Verifique que la activación de EPO se ha eliminado o borrado.
2. Reconecte la alimentación de línea CA al UPS. Ahora el UPS comenzará el respaldo en el modo Bypass, y la pantalla LCD mostrará “BYPASS MODE” [Modo de Rodeo].

3 Inserción de la tarjeta interna SNMP/WEB

Retire el pequeño panel de cubierta del zócalo de accesorios para utilizar accesorios opcionales que le permitan manejar y controlar el UPS de forma remota. Para obtener más información, póngase en contacto con el servicio de atención al cliente de Tripp Lite en el teléfono 914 850 243, donde le atenderán y le proporcionarán una lista de los productos de conectividad, administración de redes y SNMP que se encuentran disponibles.



Procedimiento de derivación manual (para el mantenimiento o sustitución del módulo de energía)

El UPS incluye un módulo de energía/batería autónomo, además de una PDU independiente y desmontable con un interruptor de sobrepaso. Este interruptor permite al personal del servicio cualificado quitar la PDU desmontable del módulo de energía/batería para realizar labores rutinarias de mantenimiento sin interrumpir el paso de energía a la carga conectada. Cuando este interruptor se pone en BYPASS, el equipo conectado recibe energía no filtrada de corriente alterna de la red, pero no recibe energía de la batería en caso de producirse un fallo en el servicio eléctrico.

Nota: existe también una PDU desmontable alámbrica opcional de Tripp Lite que se puede adquirir por separado. Para obtener más información póngase en contacto con Tripp Lite.

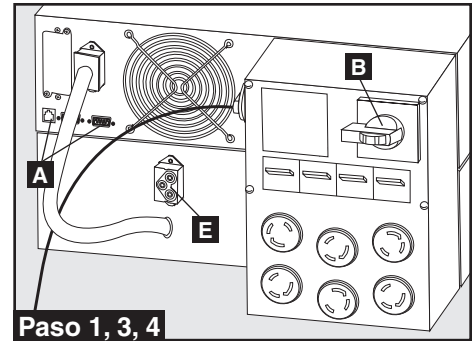
(Opcional: durante una conexión en caliente, la PDU puede alojarse en la parte posterior de la estructura del bastidor utilizando las abrazaderas de soporte y piezas metálicas suministradas al efecto. Para ver las instrucciones de montaje, consulte el PASO 5 en la página 29).

¡ADVERTENCIA! Sólo para personal cualificado del servicio técnico. Si no se sigue completamente el procedimiento de derivación, el módulo de energía/batería del UPS no se apaga de forma adecuada, y puede suponer un peligro de muerte o lesión debido al posible contacto con el alto voltaje. El módulo de energía/batería del UPS y la PDU desmontable son muy pesados, por lo que este procedimiento precisa de varias personas para su ejecución.

Procedimiento de derivación manual (para el mantenimiento o sustitución del módulo de energía)

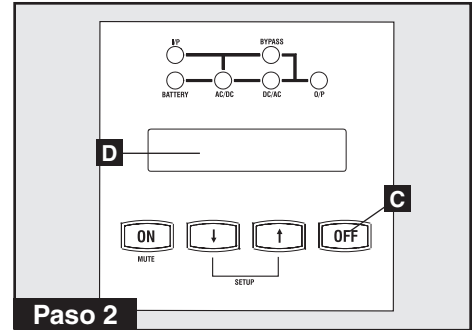
Desmontaje del módulo de energía/batería del UPS

- PASO 1.** Deshabilite el software PowerAlert y desconecte los cables de comunicación de los puertos de comunicaciones **A** del módulo de energía/batería del UPS.
- PASO 2.** Si el UPS se encuentra encendido **C**, mantenga pulsado el botón OFF hasta escuchar un pitido y ver el mensaje MODO DERIVACIÓN en la pantalla LCD.
- PASO 3.** Ponga el interruptor de sobrepasso de la PDU desmontable **B** en la posición BYPASS.
- PASO 4.** Si hay conectado al UPS un módulo de batería externa **E**, desconéctelo del UPS.
Ahora el módulo de energía/batería del UPS se habrá apagado de forma segura, y puede separarse de la PDU para llevar a cabo las tareas de mantenimiento o sustitución.

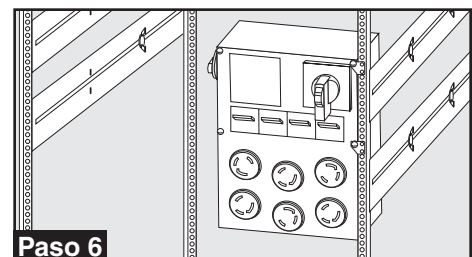
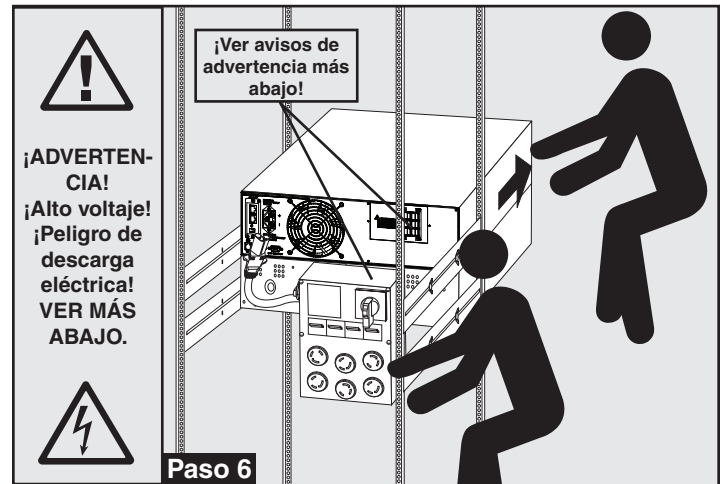
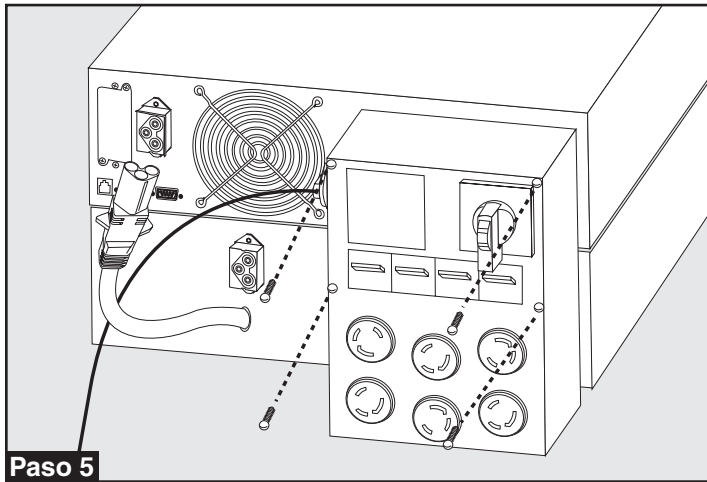


¡ADVERTENCIA! ¡Alto voltaje! ¡Peligro de descarga eléctrica! VER MÁS ABAJO.

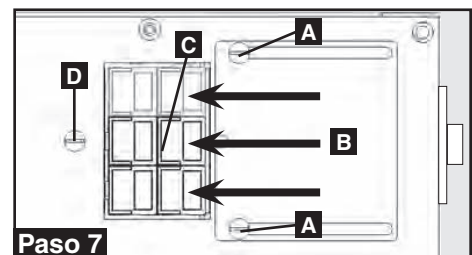
- PASO 5.** Retire los cuatro tornillos que sujetan la PDU desmontable al módulo de energía/batería.
- PASO 6.** Con la ayuda de varias personas en cada extremo, extraiga con cuidado la PDU desmontable del módulo de energía/batería. Durante este proceso, asegúrese de que todas las partes se encuentren bien apoyadas después de haberlas separado. Si las partes se separan en una aplicación de montaje en bastidor, asegúrese de que todas permanecen bien apoyadas en los rieles de montaje en bastidor del UPS. Retire del panel frontal del UPS las piezas metálicas de montaje en bastidor, deslice hacia delante los módulos de energía y batería y retírelos. Si desea dejar en el bastidor la PDU desmontable, cuelgue la unidad en la parte posterior del bastidor, en los soportes para PDU instalados, por medio de los tornillos utilizados para fijar la PDU al UPS (para obtener instrucciones sobre la instalación de las abrazaderas de soporte de la PDU, consulte la página 29).



Si las partes se separan en una aplicación de montaje en torre, asegúrese de que la PDU permanece bien apoyada en las patas de la torre del UPS. Ajuste las patas de la torre para que queden lo menos separadas que sea posible.



- PASO 7.** Afloje los tornillos **A** de la cubierta de contacto **B**. Deslice la cubierta sobre los contactos **C** y apriete el tornillo **D** para fijarla. Advertencia: emplee la máxima precaución al manejar la PDU. No deje que los contactos toquen ninguna superficie.
Para volver a montar la PDU, invierta el mencionado proceso.



Procedimiento de derivación manual (para el mantenimiento o sustitución del módulo de energía)



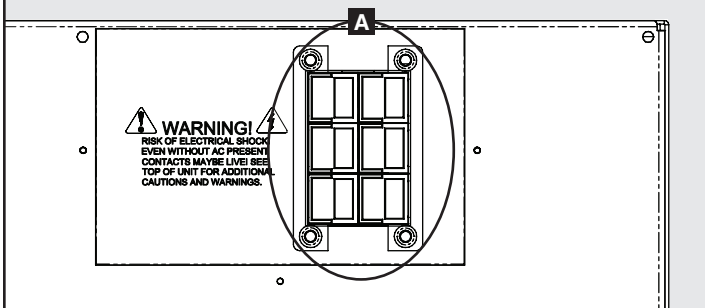
Advertencias sobre el alto voltaje



Contactos del módulo de energía/batería

¡ADVERTENCIA! ¡Alto voltaje!
¡Peligro de descarga eléctrica!

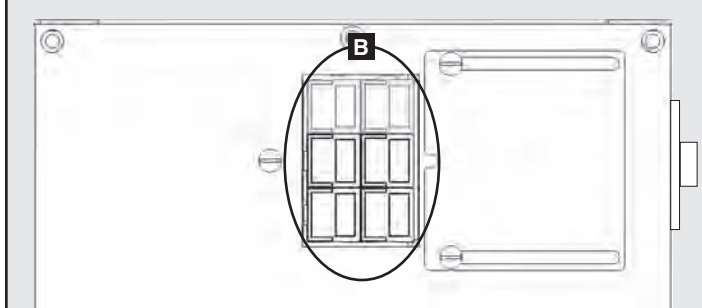
¡Debido a la presencia de baterías internas de alto voltaje, estos contactos **A** tienen corriente incluso sin corriente alterna! ¡No deje que estos contactos toquen ninguna superficie!



Contactos de la PDU desmontable

¡ADVERTENCIA! ¡Alto voltaje!
¡Peligro de descarga eléctrica!

¡Estos contactos **B** tienen corriente si hay corriente alterna y el interruptor de sobrepaso está puesto en BYPASS! ¡No deje que estos contactos toquen ninguna superficie!



Especificaciones

Los modelos que se enumeran a continuación incluyen un módulo de energía, uno o dos módulos de batería y un módulo PDU.

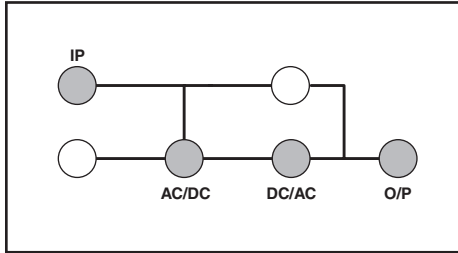
Información del modelo

Modelo # (S)	8kVA	10kVA
Entrada		
Tipo de conexión de entrada	Conector de alimentación Anderson 75A (3 polos)	Conector de alimentación Anderson 75A (3 polos)
Gama de voltajes de entrada	156~280V Monofásico	156~280V Monofásico
Voltaje de entrada de los módulos	200/208/220/230/240V AC	200/208/220/230/240V AC
Frecuencia de entrada	50/60Hz (40~70Hz)	50/60Hz (40~70Hz)
Corriente de entrada	46.0/44.2/41.8/40.0/38.3 (Máximo)	56.1/54.0/51.0/48.8/46.8 (Máximo)
Corriente de irrupción	<200A	<200A
Factor de potencia (plena carga)	>0.98	>0.98
Eficiencia (plena carga/en línea)	90%	90%
Disyuntor del módulo de potencia	No se aplica	No se aplica
Modelo de batería	BP240V10RT-3U; 20 x 12V9Ah	BP240V10RT-3U; 20 x 12V9Ah
Salida		
VA	8000	10000
Vatios (coeficiente de potencia: 0,9)	7200	9000
Tipo de conexión de salida	Conector de alimentación Anderson 75A (3 pole)	Conector de alimentación Anderson 75A (3 pole)
Configuración de onda (en línea)	Onda sinusoidal	Onda sinusoidal
Configuración de onda (en batería)	Onda sinusoidal	Onda sinusoidal
Voltaje de salida (RMS)	200/208(predeterminado)/ 220/230/240Vac (Monofásico)	200/208(predeterminado)/ 220/230/240Vac (Monofásico)
Frecuencia de salida	50/60Hz ± 0.05Hz	50/60Hz ± 0.05Hz
Regulación de voltaje	±2%	±2%
Distorsión armónica máxima (plena carga lineal)	<2%	<2%
Distorsión armónica máxima (plena carga no lineal)	<3%	<3%
Capacidad de sobrecarga	105% (Continuo), 106%-125% (1 Minuto), 126%-150% (30 segundos), >150% (Inmediato)	105% (Continuo), 106%-125% (1 Minuto), 126%-150% (30 segundos), >150% (Inmediato)
Capacidad de cortocircuito		
Factor de amplitud	2.7:1	2.7:1
Funcionamiento		
Tiempo de transferencia en línea (de línea a batería, de batería a línea)	0 ms.	0 ms.
Ruido audible (en plena carga, a 1 m)	60dBA	60dBA
Indicadores	Incluye una pantalla LCD y varios LED: I/P, BATTERY, AC/DC, BYPASS y O/P.	
Comunicaciones	Incluye un RS-232, un conector paralelo, un conector USB, un conector EPO y un zócalo de accesorios.	
Especificaciones físicas		
Dimensiones de la unidad (alto x ancho x fondo)	25.82 x 17.5 x 5.14 in. [665.8 x 444.5 x 130.5 mm]	25.82 x 17.5 x 5.14 in. [665.8 x 444.5 x 130.5 mm]
Módulo de energía		
Módulo PDU	20.54 x 6.96 x 4.49 in. [521.8 x 176.8 x 114 mm]	20.54 x 6.96 x 4.49 in. [521.8 x 176.8 x 114 mm]
Peso de embarque		
Peso de embarque	66 lb. [30 kg.]	66 lb. [30 kg.]
Módulo de energía		
PDU Módulo PDU		

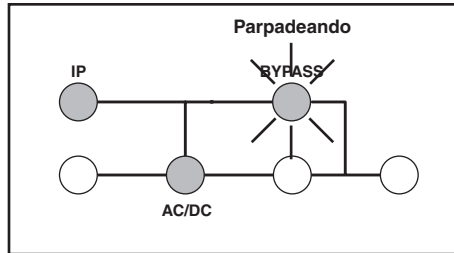
Funcionamiento

Información de los LED

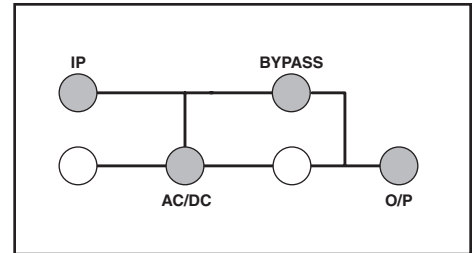
Modo CA: voltaje de entrada de CA en gama normal: 156-280 V.



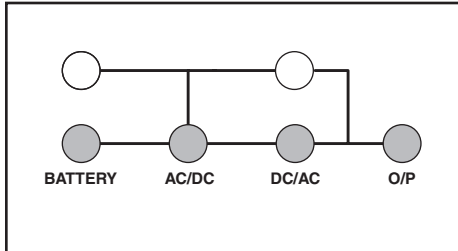
Modo derivación: voltaje de entrada de CA en una gama de -20 a +15% del voltaje nominal; modo derivación habilitado.



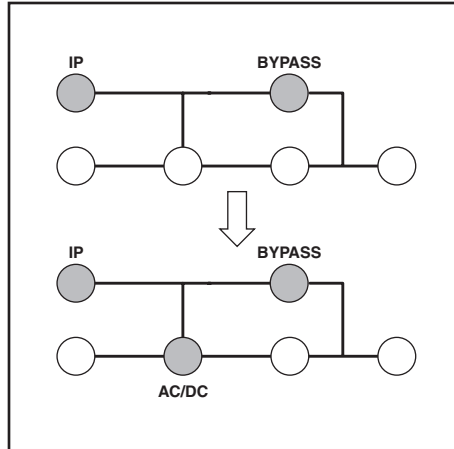
Modo ECO: voltaje de entrada de CA en una gama de -10 a +10% del voltaje nominal; modo ECO habilitado.



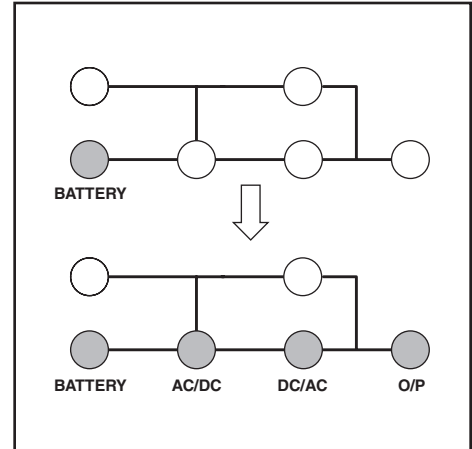
Arranque en frío/modo batería: con un arranque en frío en modo batería, verá la siguiente secuencia de indicadores LED:



Arranque en frío con energía de CA: con un arranque en frío con energía de CA, verá la siguiente secuencia de indicadores LED:

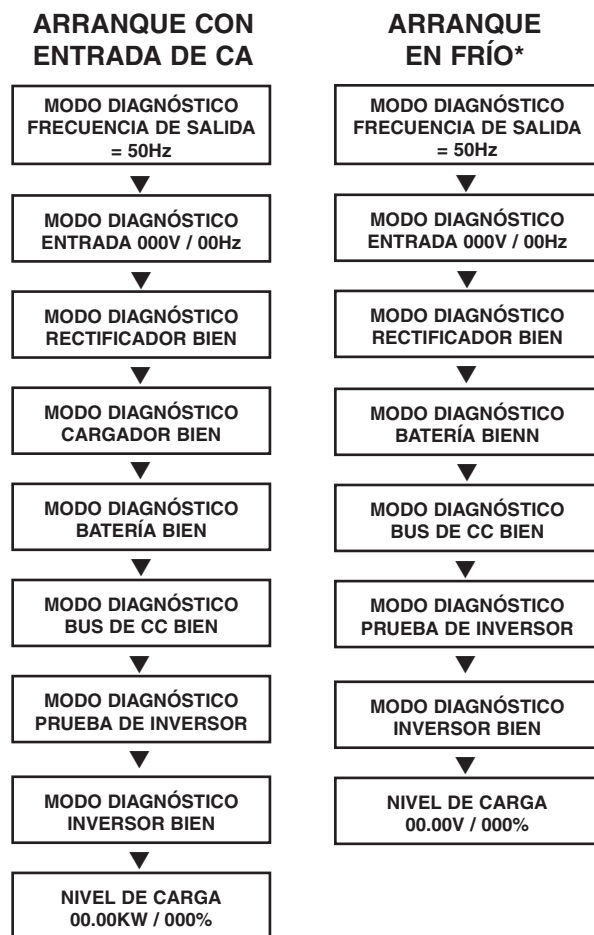


Arranque en frío: con un arranque en frío, verá la siguiente secuencia de indicadores LED:



Autocomprobación de arranque

Al encenderse, el UPS pasa a modo de diagnóstico y lleva a cabo una breve prueba de autocomprobación que dura aproximadamente 15 segundos. Los resultados de esta autocomprobación se muestran en la pantalla LCD con la secuencia que se indica a continuación.



* Nota: si el UPS se arranca en frío, se ilumina el LED BATTERY.

Autocomprobación fallida

Si se detecta un problema durante la prueba de autocomprobación, se muestra un mensaje de error en la pantalla. Si el UPS muestra en la pantalla alguno de los mensajes que se indican a continuación, llame al servicio de asistencia técnica de Tripp Lite al teléfono 914 850 243 para solicitar ayuda.



Funcionamiento

Funcionamiento normal

Durante el funcionamiento normal, la primera línea de la pantalla LCD muestra el modo operativo en el que se encuentra el UPS: en línea, ECO, en batería o derivación.

Modo en línea: el UPS proporciona energía de CA mientras haya suministro de energía de la red, y cambia al modo en batería de forma instantánea (tiempo de transferencia cero) si se interrumpe la energía de CA.

Modo ECO: el UPS proporciona energía de CA con un alto rendimiento mientras la energía de la red esté dentro de un intervalo del +/-10% del voltaje nominal de entrada de CA, y cambia al modo en batería (tiempo de transferencia cero) si se interrumpe la energía de CA.

Modo industrial: cuando el UPS detecta una fluctuación del voltaje de salida superior a 5 ms, pasa al modo derivación, y vuelve al modo en línea una vez que la salida se haya normalizado.

Modo en batería: el UPS proporciona energía de CA de la batería de reserva mientras dure la energía de la batería. Pasa al modo en línea o ECO cuando hay energía de la red disponible, y se apaga cuando la energía de la batería se agota.

Modo derivación: el UPS proporciona energía de CA mientras haya energía de la red disponible, y se apaga si la energía de CA se interrumpe.

La segunda línea de la pantalla LCD muestra las condiciones básicas de energía. Pulse los botones de desplazamiento para moverse por estas condiciones básicas de energía que se indican a continuación.



Menú de configuración del UPS

Pulse los botones ARRIBA ↑ y ABAJO ↓ de forma simultánea durante 3 segundos hasta que aparezca la pantalla MENÚ DE CONFIGURACIÓN, tal como se indica a continuación:

UPS CONFIGURACIÓN
SALIR ENTRAR

Pulse el botón ARRIBA ↑ para entrar en el modo de configuración.

Para entrar en el modo de configuración se le pedirá que introduzca una contraseña.

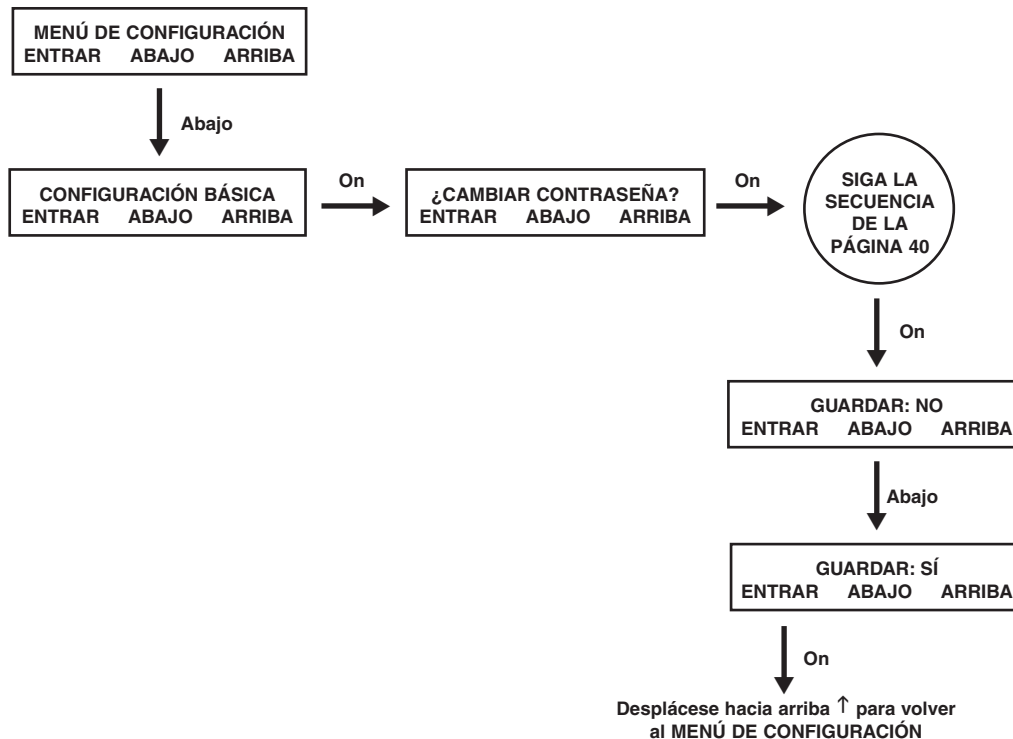
CONTRASEÑA
ENTRAR ABAJO ARRIBA ~

Cada vez que pulse el botón ARRIBA ↑ o ABAJO ↓, la cifra se incrementará o disminuirá en un número (0-9). Desplácese arriba y abajo hasta seleccionar el primer número y, a continuación, pulse el botón ON. El primer número se guardará y pasará al siguiente de la secuencia. El número de la contraseña puede estar entre 0000 y 9999, y es el administrador quien debería cambiarla. La contraseña predeterminada es 1234.

Funcionamiento

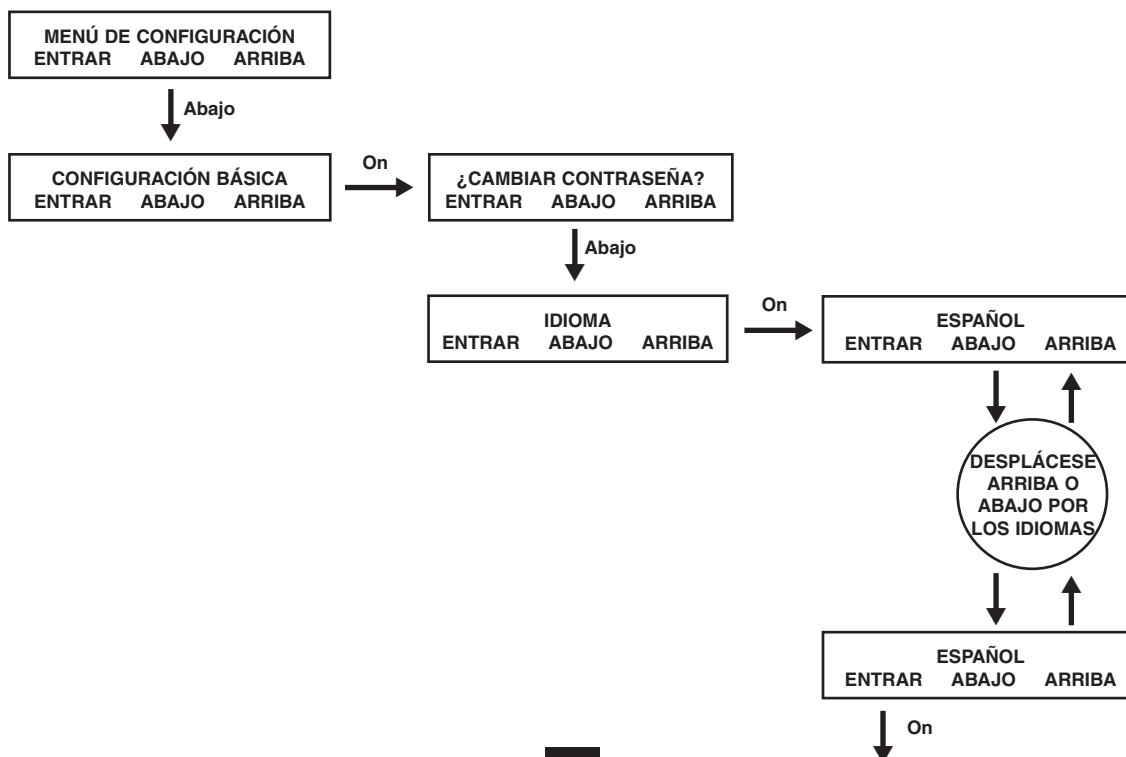
Cambio de contraseña

Para cambiar la contraseña, desplácese hacia ABAJO ↓ desde la pantalla MENÚ DE CONFIGURACIÓN hasta llegar a la pantalla CONFIGURACIÓN BÁSICA. Una vez aquí, pulse ON para pasar a la pantalla CAMBIAR CONTRASEÑA. Desde esta pantalla, pulse ON y siga los pasos descritos anteriormente para establecer la contraseña. Una vez establecida, pulse ON para pasar a la pantalla GUARDAR. Desplácese hacia ABAJO ↓ hasta llegar a la pantalla GUARDAR: SÍ y pulse ON para guardarla. Desplácese de nuevo hacia ARRIBA ↑ para volver al MENÚ DE CONFIGURACIÓN.



Selección del idioma de pantalla

Para seleccionar un idioma de pantalla, desplácese hacia ABAJO ↓ hasta la pantalla BASIS SETTING (configuración básica). Pulse ON para pasar a la pantalla CHANGE PASSWORD (cambiar contraseña) y, a continuación, desplácese hacia abajo ↓ hasta llegar a la pantalla LANGUAGE (idioma). Una vez aquí, pulse ON y, a continuación, desplácese hacia arriba ↑ o hacia abajo ↓ por la lista hasta encontrar el idioma deseado. Pulse ON para guardar su selección.



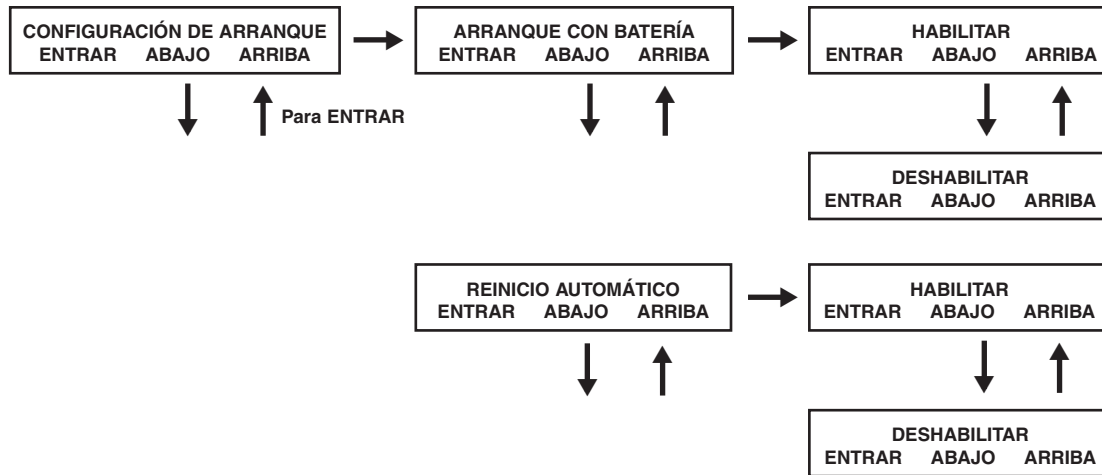
Funcionamiento

Configuración de arranque

El UPS puede arrancar mediante batería sin necesidad de energía de CA. De forma predeterminada, esta opción viene configurada como habilitada. Cuando el UPS pasa a funcionar con batería, puede reiniciarse de forma automática cuando la energía se restablezca para trabajar en modo en línea. De forma predeterminada, esta opción viene configurada como habilitada.

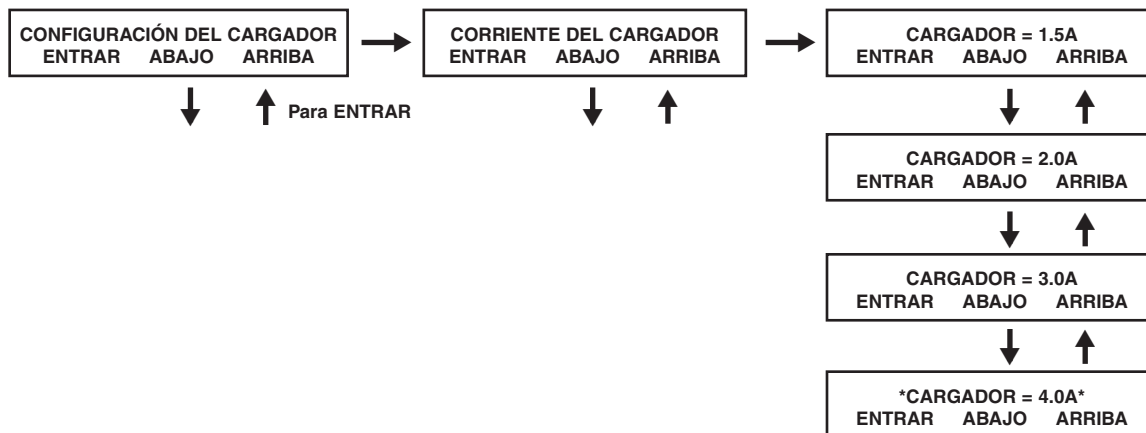
Desde la pantalla MENÚ DE CONFIGURACIÓN, desplácese hacia ABAJO ↓ hasta llegar a la pantalla CONFIGURACIÓN DE ARRANQUE. Una vez aquí, pulse el botón ON para pasar a la pantalla ARRANQUE CON BATERÍA. Desde aquí, pulse el botón ON para pasar a la pantalla HABILITAR. Si pulsa ON habilitará esta función; si lo que desea es deshabilitarla, desplácese hacia ABAJO ↓ hasta llegar a la pantalla DESHABILITAR. Una vez en ella, pulse ON para deshabilitar esta función.

Desde la pantalla ARRANQUE CON BATERÍA, pulse ABAJO ↓ para desplazarse hasta la pantalla REINICIO AUTOMÁTICO. Si pulsa ON pasará a la pantalla HABILITAR; una vez en ella, vuelva a pulsar ON para habilitar esta función. Si por el contrario pulsa ABAJO ↓, pasará a la pantalla DESHABILITAR. Una vez en ella, pulse ON para deshabilitarla.



Configuración del cargador

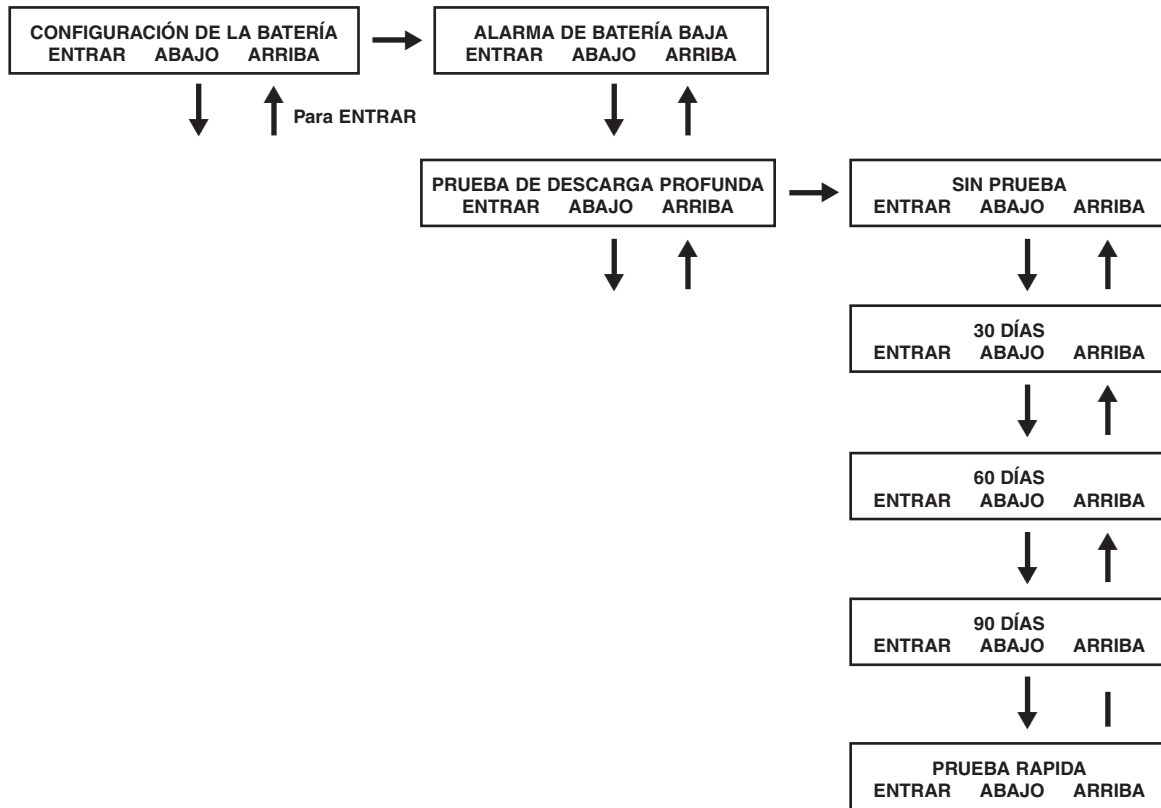
Desde la pantalla MENÚ DE CONFIGURACIÓN, desplácese hacia ABAJO ↓ hasta llegar a la pantalla CONFIGURACIÓN DEL CARGADOR. Una vez aquí, pulse ON para pasar a la pantalla CORRIENTE DEL CARGADOR. Vuelva a pulsar ON. Desde aquí, puede desplazarse ARRIBA ↑ o ABAJO ↓ para seleccionar los valores de corriente, entre 1,5 y 4,0A. Pulse ON para guardar el valor deseado.



Funcionamiento

Configuración de la batería

Prueba de descarga profunda: se utiliza para establecer el periodo de tiempo para las pruebas de descarga profunda. Desde la pantalla MENÚ DE CONFIGURACIÓN, desplácese hacia ABAJO ↓ hasta llegar a la pantalla CONFIGURACIÓN DE LA BATERÍA. Pulse ON para pasar a la pantalla ALARMA DE BATERÍA BAJA y, a continuación, desplácese hacia ABAJO ↓ hasta llegar a la pantalla PRUEBA DE DESCARGA PROFUNDA. Una vez aquí, pulse ON. Desplácese ARRIBA ↑ o ABAJO ↓ para elegir entre SIN PRUEBA, 30, 60, 90 días o PRUEBA RAPIDA. Una vez elegido el periodo de tiempo deseado, pulse ON para guardarlo. La opción configurada de forma predeterminada es SIN PRUEBA.



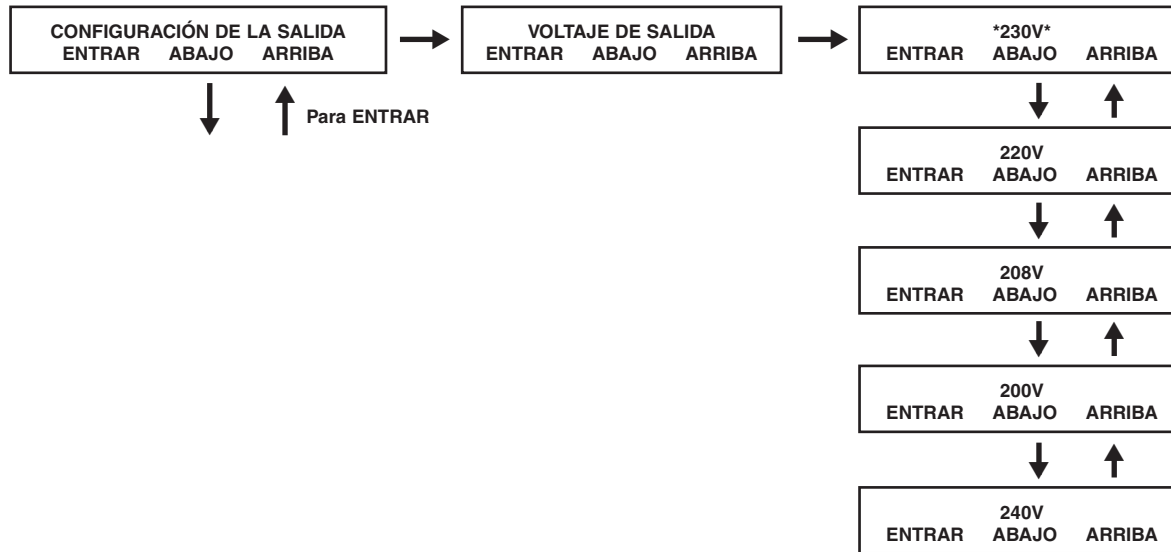
Funcionamiento

Configuración de la salida

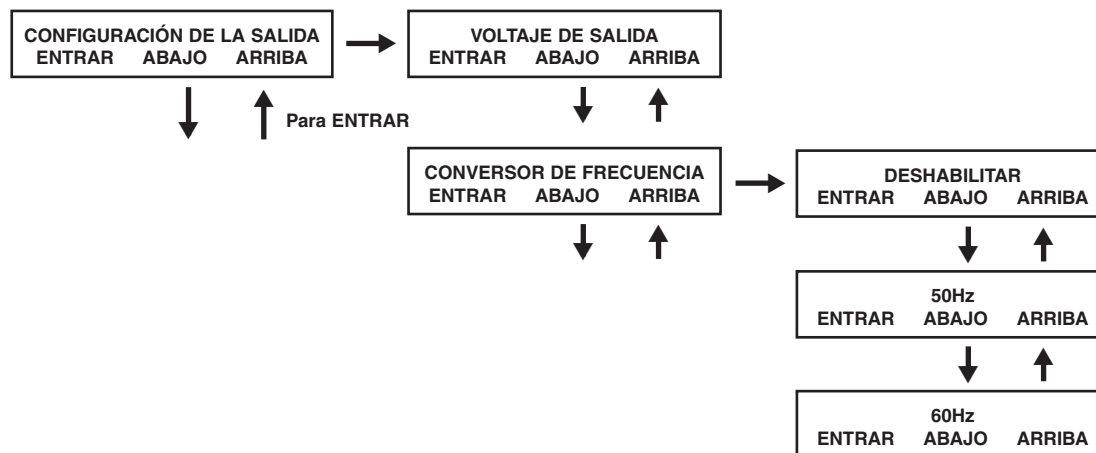
Nota: todos los cambios de configuración de la salida requieren un ciclo de trabajo del UPS.

Voltaje de salida: se utiliza para establecer el voltaje nominal de salida del UPS. Desde la pantalla MENÚ DE CONFIGURACIÓN, desplácese hacia ABAJO ↓ hasta llegar a la pantalla CONFIGURACIÓN DE LA SALIDA. Pulse ON para pasar a la pantalla VOLTAJE DE SALIDA y, a continuación, vuelva a pulsar ON. Desplácese ARRIBA ↑ o ABAJO ↓ por los 5 valores de voltaje: 200/208/220/230/240 V y pulse ON para guardar el voltaje deseado.

El valor predeterminado: 208V



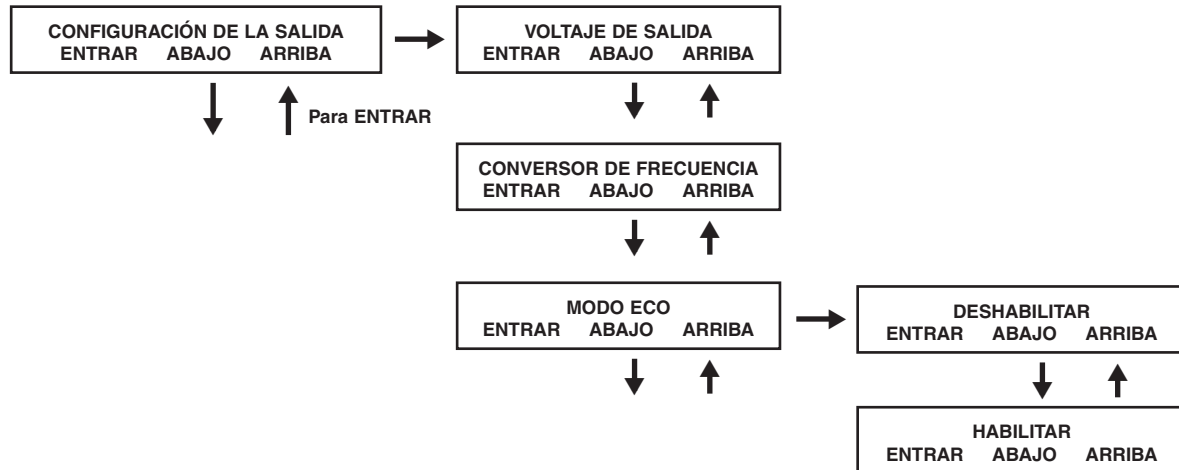
Convertor de frecuencia: se utiliza para establecer el modo de convertor de frecuencia. Desde la pantalla MENÚ DE CONFIGURACIÓN, desplácese hacia ABAJO ↓ hasta llegar a la pantalla CONFIGURACIÓN DE LA SALIDA. Pulse ENTRAR para pasar a la pantalla VOLTAJE DE SALIDA, y ABAJO ↓ para acceder a la pantalla CONVERTOR DE FRECUENCIA. Una vez aquí, pulse ON. Ahora puede desplazarse ARRIBA ↑ o ABAJO ↓ y elegir entre DESHABILITAR, 50 ó 60 Hz. Pulse ON para guardar su selección. Cuando esta opción se deshabilita, el UPS detecta automáticamente la frecuencia de entrada y selecciona 50 ó 60 Hz en función de la frecuencia detectada. De forma predeterminada, esta opción se encuentra deshabilitada.



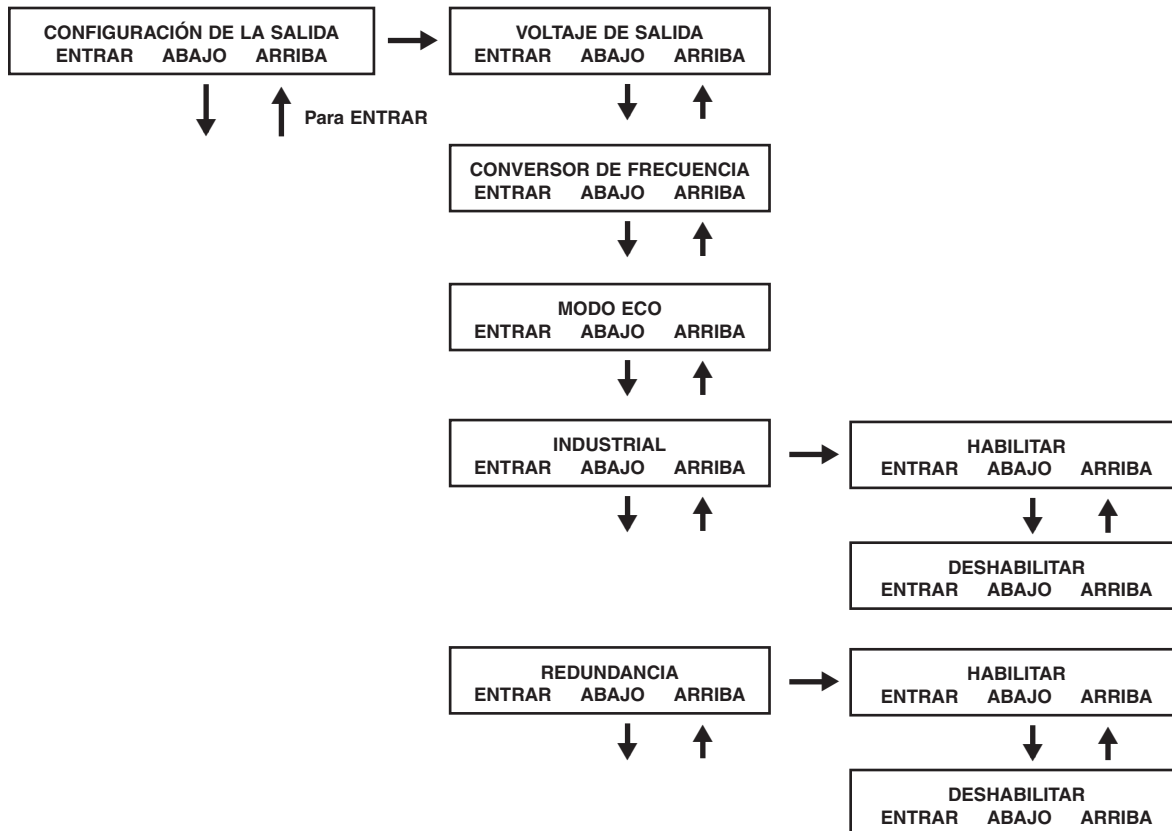
Funcionamiento

Configuración de la salida

Modo ECO (ahorro): se utiliza para establecer la capacidad del UPS de funcionar en el modo de ahorro energético. Cuando el voltaje de entrada se encuentra dentro de un intervalo de +/-10% del voltaje nominal global, el UPS pasa a modo ECO para mejorar su eficiencia. Desde la pantalla MENÚ DE CONFIGURACIÓN, desplácese hacia ABAJO ↓ hasta llegar a la pantalla CONFIGURACIÓN DE LA SALIDA. Una vez aquí, pulse ON para pasar a la pantalla VOLTAJE DE SALIDA y desplácese hacia ABAJO ↓ por la pantalla CONVERTOR DE FRECUENCIA hasta llegar a MODO ECO. A continuación, pulse ON y podrá desplazarse ARRIBA ↑ o ABAJO ↓ para elegir entre DESHABILITAR o HABILITAR. Pulse ON para guardar su selección. De forma predeterminada, esta opción se encuentra deshabilitada.

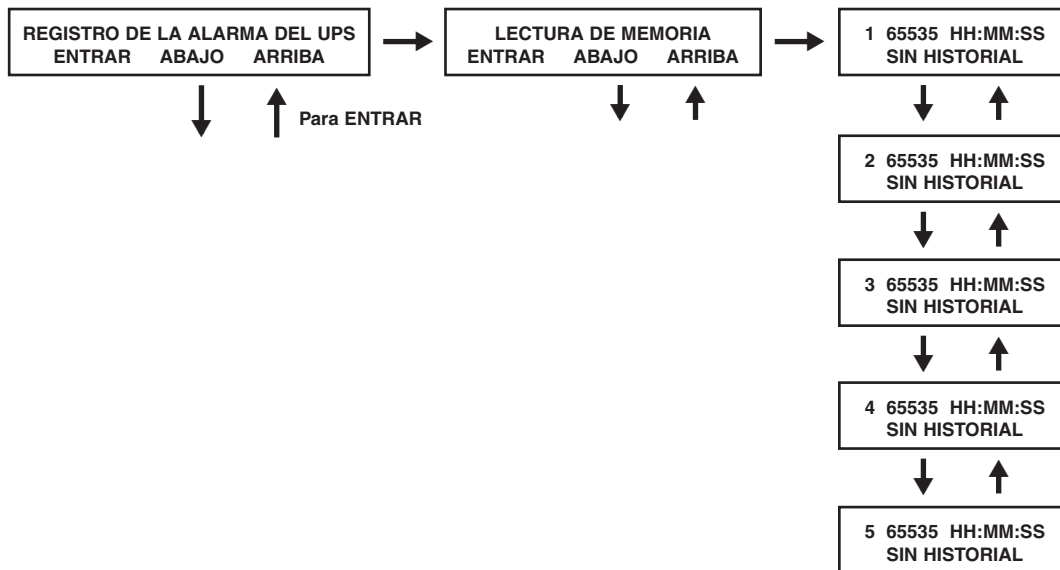


Industrial: se utiliza para establecer el dispositivo de protección voltimétrico del UPS. Si está habilitado y se recibe una energía de CA con una frecuencia y un voltaje de entrada dentro de unos valores normales, el UPS funciona en modo en línea. Si el UPS detecta una fluctuación del voltaje de salida superior a 5 ms, pasa al modo derivación, y vuelve al modo en línea una vez que la salida se haya normalizado. Desde la pantalla MENÚ DE CONFIGURACIÓN, desplácese hacia ABAJO ↓ hasta llegar a la pantalla CONFIGURACIÓN DE LA SALIDA. Una vez aquí, pulse ON para pasar a la pantalla VOLTAJE DE SALIDA, y ABAJO hasta llegar a la pantalla INDUSTRIAL. A continuación, pulse ON y podrá desplazarse ARRIBA ↑ o ABAJO ↓ para elegir entre HABILITAR o DESHABILITAR. Pulse ON para guardar su selección. De forma predeterminada, esta opción viene configurada como deshabilitada. Si se desplaza hacia ABAJO ↓ desde la pantalla INDUSTRIAL, pasará a la pantalla REDUNDANCIA. Una vez aquí, pulse ON y podrá desplazarse ARRIBA ↑ o ABAJO ↓ para elegir entre HABILITAR o DESHABILITAR. De forma predeterminada, esta opción se encuentra deshabilitada.



Funcionamiento

Registro de la alarma del UPS

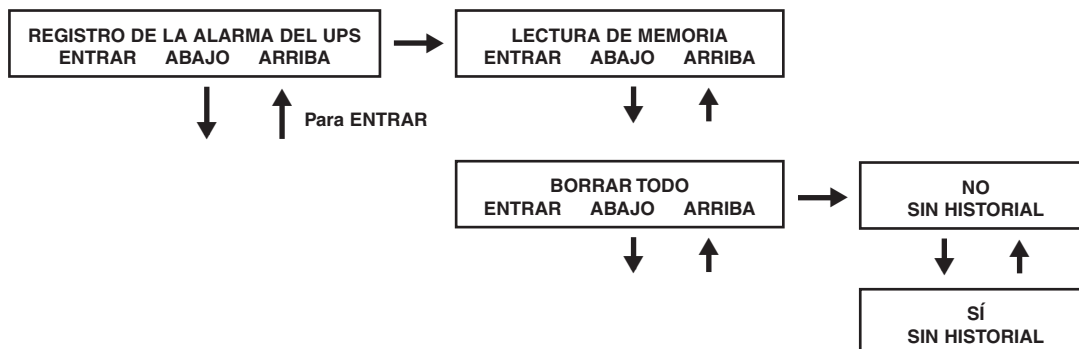


Lectura de memoria: graba los 5 últimos eventos de error de la memoria EEPROM. Véase la lista de eventos de error que se muestra a continuación:

Lista de eventos de error		
ERROR DE BUS DE CC	ERROR DE BATERÍA DE CARGADOR	ERROR DE FUSIBLE DE SALIDA
CORTOCIRCUITO	ERROR DE CORTOCIRCUITO DE SCR DE DERIVACIÓN	ERROR DE OVP DEL BUS DE CC
ERROR DE INVERSOR	ERROR DE CORTOCIRCUITO DE SCR DE ENTRADA	ERROR DE CORTOCIRCUITO DE RELÉ DE HVP DE ENTRADA
SOBRETENPERATURA	REDUCCIÓN DE POTENCIA APAGADO	ERROR ABIERTO DE RELÉ DE HVP DE ENTRADA
ERROR DE SCR DE SALIDA	AHORRO DE ENERGÍA	ERROR ABIERTO DE NTC
SOBRECARGA	SALIDA CON VOLTAJE	ERROR DE TEMPERATURA BAJA
ERROR DE VENTILADOR	ERROR DE FUSIBLE DE ENTRADA	

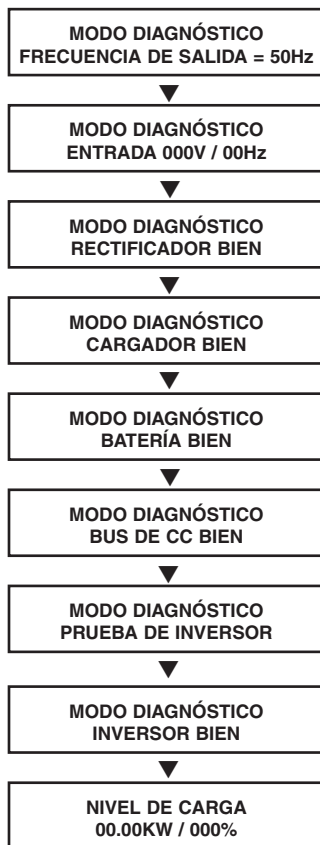
Desde la pantalla MENÚ DE CONFIGURACIÓN, desplácese hacia ABAJO ↓ hasta llegar a la pantalla REGISTRO DE LA ALARMA DEL UPS. Pulse ON para pasar a la pantalla LECTURA DE MEMORIA y vuelva a pulsar ON. Una vez aquí, puede desplazarse ARRIBA ↑ o ABAJO ↓ para leer los 5 últimos eventos de error. Pulse ON para salir de este menú.

Borrar todo: se utiliza para borrar el registro de eventos de error. Desde el MENÚ DE CONFIGURACIÓN, desplácese hacia ABAJO ↓ hasta llegar a la pantalla REGISTRO DE LA ALARMA DEL UPS. Una vez aquí, pulse ON para pasar a la pantalla LECTURA DE MEMORIA y, a continuación, pulse ABAJO ↓ para acceder a la pantalla BORRAR TODO. Aquí podrá desplazarse ARRIBA ↑ o ABAJO ↓ para elegir entre SÍ o NO. Pulse ON para guardar su selección. A continuación aparecerá la pantalla ¿SEGURO? Pulse ON para guardar o desplácese para buscar otras opciones.

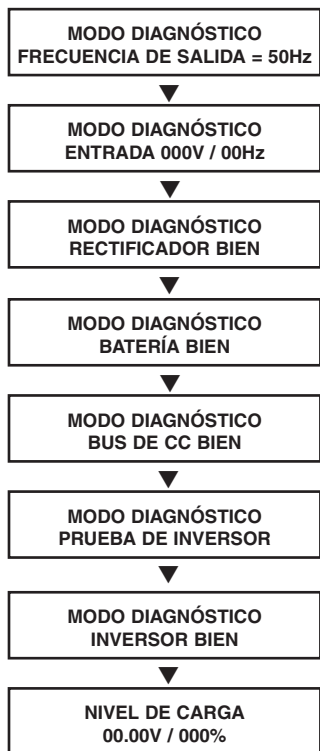


Información de autodiagnóstico

Al arrancar con energía de corriente alterna, verá en la pantalla la siguiente secuencia:



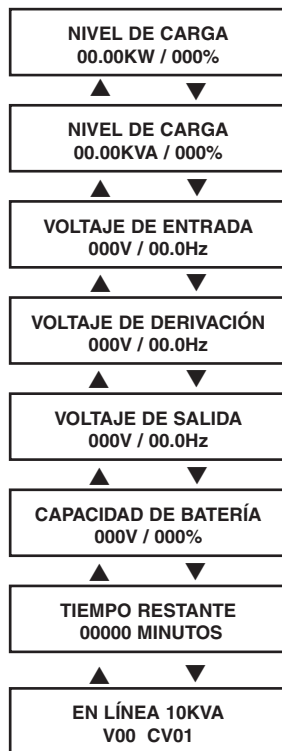
Al arrancar con energía de batería, verá en la pantalla la siguiente secuencia:



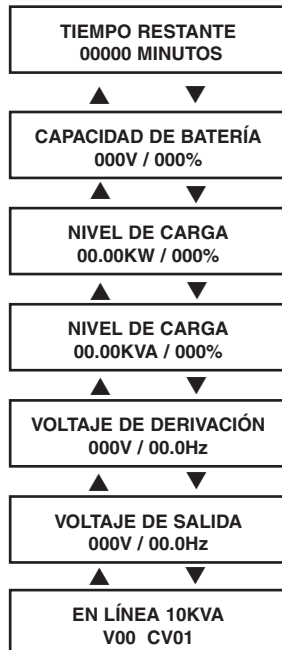
Funcionamiento

Información en pantalla: modo en línea

Al funcionar en modo en línea con energía de corriente alterna, verá en la pantalla la siguiente secuencia:



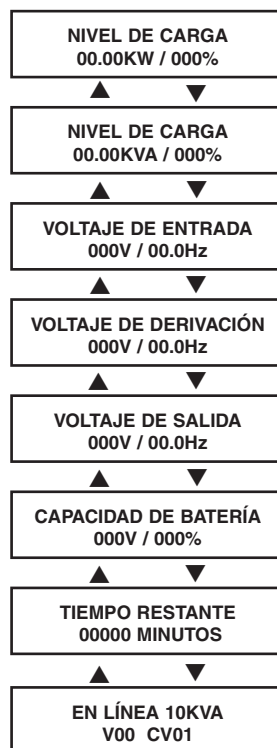
Al funcionar en modo en línea con energía de batería, verá en la pantalla la siguiente secuencia:



Funcionamiento

Información en pantalla: modo derivación

Al funcionar en modo derivación, verá en la pantalla la siguiente secuencia:



Mensajes de apagado por error en el UPS

CONDICIÓN	MENSAJES EN LA PANTALLA LCD
+BUS >450V	+ BUS DE CC ALTO APAGADO
Carga <100%: +BUS < 320V Carga >100%: +BUS <290V	- BUS DE CC BAJO APAGADO
-BUS >450V	+ BUS DE CC ALTO APAGADO
Carga <100%: -BUS <320V Carga >100%: -BUS <290V	- BUS DE CC BAJO APAGADO
Voltaje del bus superior a 500	ERROR DE OVP DEL BUS APAGADO
Cortocircuito de salida	CORTOCIRCUITO DE SALIDA APAGADO
Sobretemperatura del UPS	SOBRETENPERATURA APAGADO
Error abierto del SCR de salida	ERROR DE SCR DE SALIDA APAGADO
Sobrecarga de salida	SOBRECARGA APAGADO
Cortocircuito del SCR de derivación	ERROR DE SCR DE DERIVACIÓN APAGADO
Error del rectificador del SCR de entrada	ERROR DE RECTIFICADOR APAGADO
Error de voltaje de salida del inversor	INVERSOR APAGADO
Fusible de entrada abierto	FUSIBLE DE ENTRADA ROTO APAGADO
Fusible de salida abierto	FUSIBLE DE SALIDA ROTO APAGADO
ID paralelo perdida	ERROR DE PARALELO APAGADO

Funcionamiento

Alarma del modo en batería

Cuando se encuentra en modo en batería, el módulo de energía del UPS emite un pitido para informarle de que está utilizando la energía de la batería para suministrar al equipo conectado. Si las baterías conectadas están a más de la mitad de su capacidad, el pitido se emite cada dos segundos; si están a menos de la mitad de su capacidad, se emite dos veces por segundo. Si las baterías conectadas están casi agotadas, el pitido se emite de forma continua.

Para silenciar esta alarma, pulse el botón ON/MUTE.

Mensajes de sobrecarga

Cuando el UPS detecta una sobrecarga de salida, la pantalla LCD pasa a mostrar lo siguiente:

¡SOBRECARGA!
CARGA = XXX% X.XXXKW

En este momento comienza una cuenta atrás. Si tras la cuenta atrás el UPS sigue sobrecargado, pasa automáticamente a modo derivación para proteger el inversor. El tiempo de duración de la cuenta atrás depende de la gravedad de la sobrecarga, tal como se muestra a continuación:

Condición de sobrecarga	Duración de la cuenta atrás
106% - 125%	1 minuto
126% - 150%	30 segundos
>150%	Inmediato

Mensajes de derivación

Cuando se encuentra en modo derivación, el UPS controla el voltaje de entrada y pasa esa energía de entrada al equipo conectado. El UPS no proporciona batería de reserva en el modo derivación.

Si el voltaje de salida se desvía de un intervalo aceptable (entre un 15% por encima y un 20% por debajo del valor nominal), el UPS muestra esta circunstancia en la pantalla LCD y deja de suministrar energía de salida a la carga. Cuando el nivel vuelve a ser aceptable, el UPS reanuda el suministro de energía a la carga y la pantalla LCD informa de que el voltaje de salida fue demasiado alto o demasiado bajo en un momento dado, pero ya se ha normalizado.

CONDICIONES DE VOLTAJE DE DERIVACIÓN	MENSAJES EN PANTALLA LCD
>15% superior al normal	DERIVACIÓN FUERA DE VOLTAJE XXXV / XX.X HZ
>20% inferior al nominal	DERIVACIÓN FUERA DE VOLTAJE XXXV / XX.X HZ

Mensajes de apagado

El UPS se apaga y la pantalla LCD muestra un mensaje cuando se detecta alguna de las condiciones que se muestran a continuación. Nota: durante todas estas condiciones, los LED I/P, O/P y BYPASS se iluminan.

CONDICIONES DE APAGADO	MENSAJES EN PANTALLA LCD
Sobrecarga prolongada	APAGADO SOBRECARGA XXX%
Cortocircuito de salida	APAGADO CORTOCIRCUITO DE SALIDA
Comando de apagado remoto (vía DB9)	APAGADO COMANDO REMOTO
Comando de apagado remoto (vía EPO)	APAGADO ¡PARADA DE EMERGENCIA!
Errores internos	APAGADO BUS DE DC + ALTO
	APAGADO BUS DE DC + BAJO
	APAGADO BUS DE DC - ALTO
	APAGADO BUS DE DC - BAJO
	APAGADO SOBRETENPERATURA

Almacenamiento y servicio

Almacenamiento

Antes de almacenar el UPS, apáguelo completamente. Si va a tenerlo almacenado mucho tiempo, recargue las baterías durante 4-6 horas una vez cada tres meses. Nota: después de conectar el UPS a la energía de la red, las baterías empiezan a cargarse automáticamente. Si las deja descargadas durante mucho tiempo, sufrirán una pérdida de capacidad permanente.

Servicio

Su producto Tripp Lite está cubierto por la garantía que se describe en este manual. Tripp Lite también tiene disponibles una serie de programas de garantía extendida y de servicio de atención a domicilio. Para obtener más información acerca del servicio, visite www.tripplite.com/support. Antes de enviar su producto al servicio, siga estos pasos:

1. Revise la instalación y los procedimientos de funcionamiento de este manual para asegurarse de que el origen del problema no está en una interpretación incorrecta de las instrucciones.
2. Si el problema persiste, visite www.tripplite.com/support en lugar de ponerse en contacto con el distribuidor o devolver el producto.
3. Si el problema requiere del servicio de asistencia técnica, visite www.tripplite.com/support y haga clic en el enlace Devoluciones de productos. Una vez aquí, podrá solicitar un número RMA (autorización de devolución de mercancía), necesario para la prestación de asistencia. El sencillo formulario en línea le pedirá el modelo y los números de serie de la unidad, además de otros datos generales del comprador. Recibirá el número RMA por correo electrónico junto con las instrucciones para el envío. La garantía no cubre los daños (directos, indirectos, especiales o resultantes) causados al producto durante el transporte del mismo a Tripp Lite o a un centro de servicio autorizado por Tripp Lite. Los productos enviados a Tripp Lite o a un centro de servicio autorizado por Tripp Lite deben despacharse con portes pagados. Marque el número RMA en la parte exterior del paquete. Si el producto se encuentra dentro del periodo de garantía, adjunte una copia de su factura de compra. Utilice una empresa de transportes con envío asegurado para devolver el producto a la dirección facilitada al solicitar el número RMA.

Garantía

Garantía limitada de 2 años

Tripp Lite garantiza que sus productos, incluidas baterías, están libres de defectos en materiales y mano de obra durante un periodo de dos años desde la fecha de compra inicial. Transcurridos 90 días desde la fecha de compra, la responsabilidad de Tripp Lite de acuerdo con esta garantía se limita a la sustitución de piezas en los productos defectuosos. Para obtener servicio de asistencia de acuerdo con esta garantía, debe llamar a TRIPP LITE o a un centro de servicio autorizado por TRIPP LITE. Los productos devueltos a TRIPP LITE o a un centro de servicio autorizado por TRIPP LITE deben enviarse con portes pagados y acompañarse de una breve descripción del problema detectado, además de un comprobante del lugar y la fecha de compra. Esta garantía no es de aplicación a los equipos que han sido dañados accidentalmente, por negligencia o por uso inadecuado, o que han sido alterados o modificados de alguna forma. Esta garantía es de aplicación únicamente al comprador original, que debe haber registrado el producto correctamente dentro de un plazo de 10 días desde la fecha de compra.

Las garantías de todos los supresores de sobrevoltaje TRIPP LITE carecen de fuerza legal si estos dispositivos se han conectado a la salida de cualquier sistema UPS. Las garantías de todos los sistemas UPS de TRIPP LITE carecen de fuerza legal si se ha conectado a sus tomas de salida un supresor de sobrevoltaje.

SALVO POR LO ESTABLECIDO EN ESTE DOCUMENTO, TRIPP LITE NO EXPRESA NINGUNA GARANTÍA, EXPLÍCITA O IMPLÍCITA, INCLUIDAS GARANTÍAS DE COMERCIALIZACIÓN O IDONEIDAD PARA UN PROPÓSITO CONCRETO. Algunos estados no permiten limitaciones o exclusiones de las garantías implícitas; por lo tanto, las limitaciones o exclusiones mencionadas anteriormente podrían no ser de aplicación al comprador.

SALVO POR LO ESTABLECIDO ANTERIORMENTE, TRIPP LITE NO SERÁ EN NINGÚN CASO RESPONSABLE DE DAÑOS DIRECTOS, INDIRECTOS, ESPECIALES, FORTUITOS O RESULTANTES CONSECUENCIA DEL USO DE ESTE PRODUCTO, INCLUSO EN EL CASO DE HABERSE INFORMADO DE LA POSIBILIDAD DE DICHOS DAÑOS. Específicamente, TRIPP LITE no es responsable de ningún coste, como pérdida de beneficios o ingresos, pérdida de equipos, pérdida de uso de equipos, pérdida de software, pérdida de datos, coste de sustituciones, reclamaciones de terceros o lo que corresponda.

Cumplimiento de las normas de los números de identificación

Para fines de identificación y certificación del cumplimiento de las normas, su producto Tripp Lite tiene asignado un número de serie único. Puede encontrar el número de serie en la etiqueta de la placa de identificación del producto, junto con los símbolos de aprobación e información requeridos. Al solicitar información sobre el cumplimiento de las normas para este producto, siempre mencione el número de serie. El número de serie no debe ser confundido con el nombre de identificación ni con el número de modelo del producto.

Información de sobre Cumplimiento de la WEEE para Clientes de Tripp Lite y Recicladores (Unión Europea)

Según la Directiva de Residuos de Aparatos Eléctricos y Electrónicos (Waste Electrical and Electronic Equipment, WEEE) y sus reglamentos, cuando los clientes compran nuevos equipos eléctricos y electrónicos a Tripp Lite, tienen derecho a:

- Enviar equipos antiguos para reciclaje según una base de uno por uno, entre productos similares (esto varía dependiendo del país)
- Enviar el equipo nuevo de vuelta para reciclaje cuando este se convierta finalmente en desecho

Tripp Lite tiene una política de mejoramiento continuo. Las especificaciones están sujetas a cambio sin previo aviso.



1111 W. 35th Street, Chicago, IL 60609 USA
www.tripplite.com/support

Manuel de l'utilisateur

SmartOnline™ monophasé 8kVA—10kVA

Systèmes UPS intelligents à double conversion (montage en rack/tour)

- Comprend un module d'alimentation, un module de batterie externe et un PDU
- PDU amovible qui présente des boîtes de sortie et un commutateur de dérivation de maintenance *
 - Montage en rack et compatible avec montage en tour

* PDU amovible câblé en option disponible ; veuillez contacter Tripp Lite pour plus de renseignements.

Non approprié aux applications mobiles.

Avertissements de sécurité importants	54
Montage	55
Caractéristiques	56
Raccordement	58
Raccordement facultatif	60
Dérivation manuelle	61
Spécifications	63
Utilisation	64
Stockage et entretien	78
Garantie	78
English	1
Español	27
Русский	79



1111 W. 35th Street, Chicago, IL 60609 USA
www.tripplite.com/support

Copyright © 2011 Tripp Lite. Tous droits réservés. SmartOnline est une marque déposée de Tripp Lite.

Avertissements de sécurité importants



VEUILLEZ CONSERVER CES INSTRUCTIONS. Le présent manuel contient des consignes et avertissements importants qui doivent être suivis tout au long de l'installation et des travaux de maintenance de tous Systèmes UPS Tripp Lite SmartOnline, en montage en rack/tour, et de leurs batteries. Ne pas tenir compte de ces mises en garde pourrait affecter votre garantie.

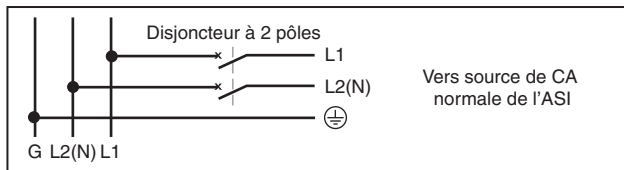
Avertissements concernant l'emplacement de l'UPS

- Installez votre UPS à l'intérieur, évitez toute exposition excessive à l'humidité et à la chaleur, à la lumière du soleil directe, à la poussière et aux impuretés conductrices.
- Installez votre UPS dans un endroit sain. Votre UPS est extrêmement lourd ; soyez prudents lorsque vous déplacez ou soulevez l'unité.
- Utilisez votre UPS uniquement à une température ambiante entre 32° F et 104° F (entre 0° C et 40° C). Pour de meilleurs résultats, maintenez la température ambiante entre 62° F et 84° F (entre 17° C et 29° C).
- Laissez suffisamment d'espace tout autour de l'UPS pour maintenir une bonne ventilation.
- N'installez pas l'UPS à proximité de supports magnétiques, car vous pourriez corrompre vos données.
- **Ne pas monter l'unité avec son panneau avant ou arrière à l'envers (quelque soit l'angle). Monter de cette façon va entraver sérieusement le refroidissement interne de l'unité, endommageant le produit non couvert sous garantie.**

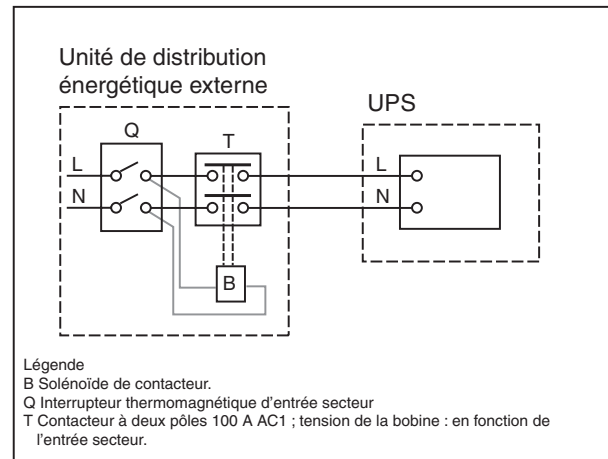
Avertissements concernant le raccordement de l'UPS

- Isolez l'ASI avant de travailler sur ce circuit.
- Traverses de câbles et dispositifs de protection requis. Protection en amont recommandée.

évaluation de l'énergie de l'ASI	Coupe-circuit en amont
8kVA	D courbe -63A
10kVA	D courbe -83A



- Cette unité doit être alimentée par un courant monophasé réglé en fonction de la plaque signalétique de l'équipement. Elle doit également être raccordée à la terre.



Légende
B Solénoïde de contacteur.
Q Interrupteur thermomagnétique d'entrée secteur
T Contacteur à deux pôles 100 A AC1 ; tension de la bobine : en fonction de l'entrée secteur.

Remarque : Q il faut utiliser le composant approuvé par la Certification de sécurité.

Avertissements concernant le raccordement de l'équipement

- Il est déconseillé d'utiliser cet équipement dans des applications médicales où une panne de cet équipement pourrait normalement provoquer la panne de l'équipement de survie ou altérer notablement sa sécurité ou son efficacité. Ne pas utiliser cet équipement en présence d'un mélange anesthésique inflammable avec de l'air, de l'oxygène ou de l'oxyde nitreux.
- Raccordez la borne de terre du module d'alimentation de votre UPS à un conducteur d'électrodes de terre.
- L'UPS est raccordé à une source d'énergie en CC (batterie). Il se peut que les bornes de sortie soient sous tension même lorsque l'UPS n'est pas raccordé à un courant CA.

Avertissements concernant la maintenance

- Le module d'alimentation de votre UPS et les module(s) de batterie ne nécessitent pas d'entretien régulier. Ne les ouvrez en aucune circonstance. Aucune pièce ne peut être réparée par l'utilisateur.

Avertissements concernant la batterie

- N'utilisez pas votre UPS sans le raccorder à un module de batterie externe.
- Seuls les modules de batterie Tripp Lite doivent être raccordés au connecteur de batterie externe du module d'alimentation de votre UPS.
- Les batteries peuvent présenter un risque de choc électrique et surchauffer à la suite d'un court-circuit. Soyez particulièrement prudents. Ne jetez pas les batteries au feu. N'ouvrez ni l'UPS ni les batteries. N'établissez pas de court-circuit ou de pont entre les bornes de la batterie et un objet quelconque. Débranchez et mettez votre UPS sous tension avant de remplacer les batteries. Utilisez des batteries ayant des poignées isolées. Aucune pièce ne peut être réparée par l'utilisateur. Le remplacement des batteries doit être effectué uniquement par un technicien autorisé. Les batteries de remplacement doivent être de même numéro et du même type (batteries acide plomb scellées). Les batteries sont recyclables. Consultez la législation locale en matière d'élimination des déchets ou si vous êtes aux États-Unis, appelez le 1-800-SAV-LEAD ou 1-800-8-BATTERY (1-800-822-8837) ou rendez-vous sur www.rbr.com pour toute information relative au recyclage. Tripp Lite propose une gamme complète de cartouches de batterie de remplacement pour les Systèmes UPS (R.B.C.). Venez retrouver Tripp Lite sur le Web à l'adresse www.tripplite.com/support/battery/index.cfm afin de trouver les batteries de remplacement spécifiques à votre UPS.
- N'ouvrez pas ou n'endommagez pas les batteries. La libération d'électrolytes est dangereuse pour la peau et les yeux, et peut même s'avérer toxique.
- Les fusibles doivent être remplacés uniquement par un technicien autorisé de l'usine. Les fusibles grillés doivent être remplacés uniquement par le même numéro de fusibles du même type.
- Les travaux d'entretien et de réparation doivent être effectués uniquement par un technicien formé. Tous travaux de réparation sur l'UPS doivent être réalisés hors tension ou après avoir été dérivé manuellement via le transformateur. Veuillez noter qu'il est possible que la tension de cette unité atteigne un niveau excessif (voire mortel) tant que la batterie est raccordée au courant.
- Le(s) module(s) de batterie ne doivent être ni raccordés ni retirés tant que l'UPS est en service à partir de la batterie ou si le PDU amovible n'est pas en mode dérivation.
- Au cours du remplacement « à chaud » du module de batterie, votre UPS ne sera pas en mesure de vous fournir une batterie de secours en cas de panne.
- Ne raccordez que le(s) module(s) de batterie compatible(s).

Montage (en rack)

Installez votre équipement sur un rack à quatre ou à deux montants ou dans la baie. Il incombe à l'utilisateur de déterminer la compatibilité du matériel et des procédures avant de commencer le montage. Si le matériel ou les procédures ne correspondent pas à votre application, veuillez contacter le fabricant de votre rack ou de la baie. Les procédures décrites dans le présent manuel sont prévues pour les types de racks et baies couramment utilisés et il se peut qu'elles ne conviennent pas à toutes les applications.

Remarque : le module d'alimentation et le module de batterie doivent être installés sur différentes étagères.

4-Montage des montants

1 Les chevilles **A** en plastique qui sont fournies soutiendront provisoirement les étagères **B** vides du rack pendant que vous installez les pièces de montage permanentes. Insérez une cheville près du centre de l'équerre avant et arrière de chaque étagère comme indiqué. (Chaque équerre avant présente 6 trous et chaque équerre arrière 3.) Les chevilles se mettront en place.

Après avoir installé les chevilles, étendez chaque étagère pour qu'elles correspondent à la profondeur des rails de votre rack. Disposez les chevilles dans les trous carrés des rails du rack pour soutenir les étagères. Référez-vous aux étiquettes de chaque rack pour vérifier que les étagères soient au même niveau. **Remarque : le rebord de support de chaque étagère doit être dirigé vers l'intérieur.**

2 Fixez solidement les étagères **B** sur les rails de montage de manière permanente à l'aide des vis et rondelles cuvettes **C** fournies comme indiqué.

- Pour le montage d'un équipement à 2U, placez 4 vis devant et 4 vis derrière.
- Pour le montage d'un équipement à 3U, placez 6 vis devant et 4 vis derrière.

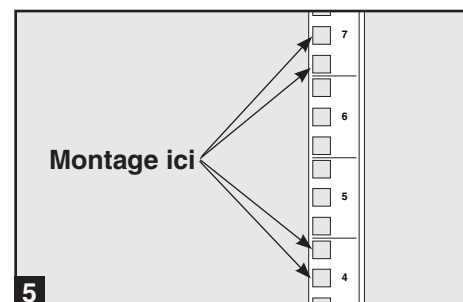
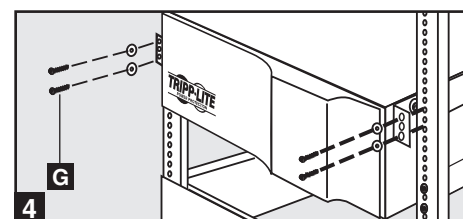
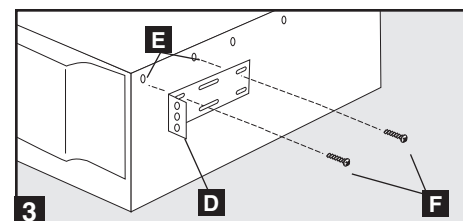
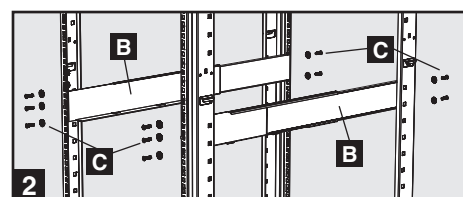
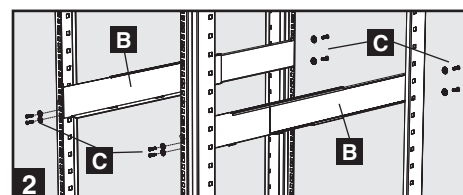
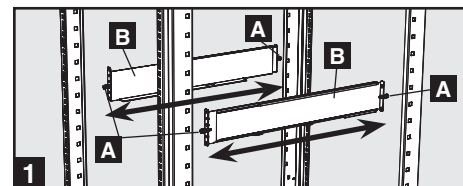
Serrez bien toutes les vis avant de continuer.

Avertissement : n'essayez pas d'installer votre équipement avant d'avoir inséré et serré correctement les vis. Les chevilles en plastique ne pourront pas supporter le poids de votre équipement.

3 Attachez les étriers de montage **D** sur le devant des œillets de montage de votre équipement **E** à l'aide des vis **F** fournies. Les étriers doivent être dirigés vers l'avant.

4 À l'aide d'un assistant, soulevez l'équipement et faites-le glisser sur les étagères de montage. Attachez votre équipement sur le rack en passant les vis, les écrous et les rondelles **G** (fournis par l'utilisateur) à travers les étriers de montage et dans les rails du rack.

5 (Facultatif) Attachez deux équerres de fixation du PDU du côté droit, sur le rail de montage arrière à l'aide des vis et des écrous cage fournis. Important : l'emplacement des équerres de fixation de votre PDU dépendra de la configuration de votre rack. En général, il est conseillé de monter l'équerre supérieure dans les deux trous carrés du bas de l'espace en U sur lequel l'UPS et le PDU sont installés. La deuxième équerre doit être installée 3U plus bas et placée au dessus des deux trous carrés de l'U. (Par exemple : si le PDU et l'UPS sont montés en 7U, la première équerre devra être montée en bas des deux trous carrés de 7U, et la deuxième au-dessus des deux trous carrés de 4U.



Montage à 2 montants (facultatif)

Pour monter votre équipement sur un rack à deux montants, vous devez acquérir un Kit d'installation Tripp Lite pour le montage en rack à deux montants (modèle : 2POSTRMKITWM, vendu séparément) pour chaque module installé. Voir le manuel de l'utilisateur du kit d'installation pour obtenir l'intégralité des consignes de montage.

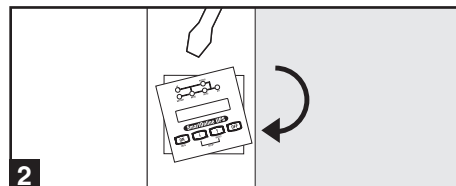
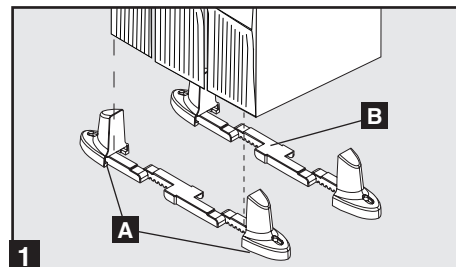
Montage (en tour)

Montez tous les modules en position tour, à la verticale, à l'aide des supports de base fournis. Il incombe à l'utilisateur de déterminer la compatibilité du matériel et des procédures avant de commencer le montage.

1 Avec le Système UPS sont fournis deux ensembles de pieds en plastique **A** et d'extensions **B** qui peuvent être utilisés pour effectuer le montage en tour du module d'alimentation de l'UPS, un module de batterie et un deuxième module de batterie (9U au total).

Ajustez le pied pour atteindre une largeur de 10,25 pouces (26 cm) pour le module d'alimentation et le module de batterie d'un UPS, ou une largeur de 15,375 pouces (39 cm) pour trois unités. Alignez les pieds dans votre zone d'installation, à environ 10 pouces (26 cm). Faites-vous aider d'un ou plusieurs assistant(s) pour mettre les unités en place sur les pieds. Le panneau de contrôle de l'UPS doit se trouver sur le coin supérieur de l'UPS et être dirigé vers l'extérieur.

2 Faites pivoter le module d'alimentation du Panneau de contrôle pour pouvoir le voir plus facilement lorsque l'UPS est monté en tour. Introduisez un petit tournevis, ou autre outil, dans les fentes qui se situent sur le côté du Panneau de contrôle. Faites sortir le panneau ; faites-le pivoter ; et remettez le panneau en place.

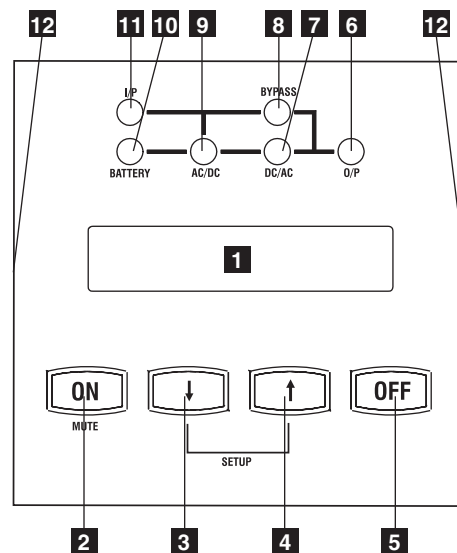


Caractéristiques

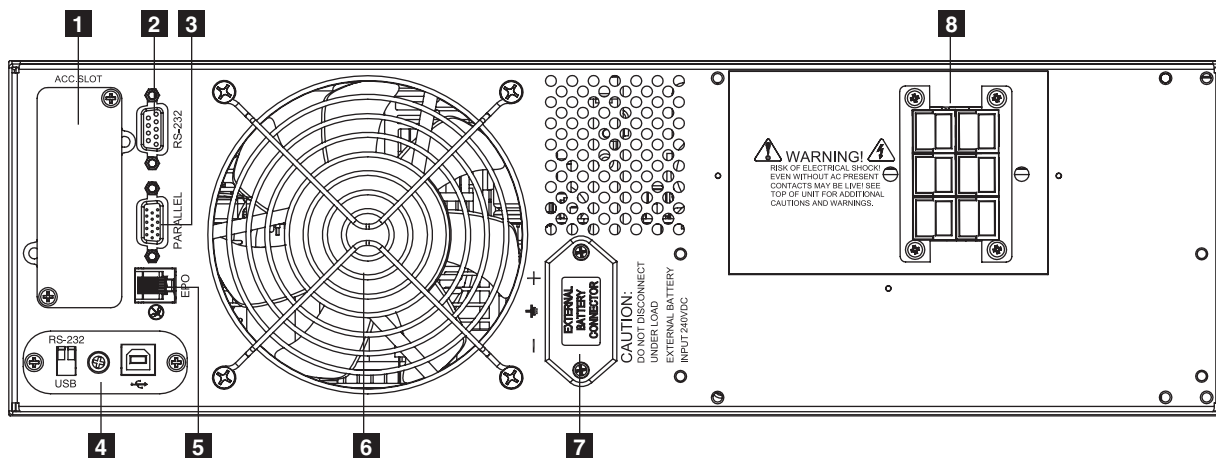
Avant d'installer et de mettre votre UPS en service, familiarisez-vous avec l'emplacement et la fonction des caractéristiques de chaque composant.

Commandes du Panneau avant du module d'alimentation

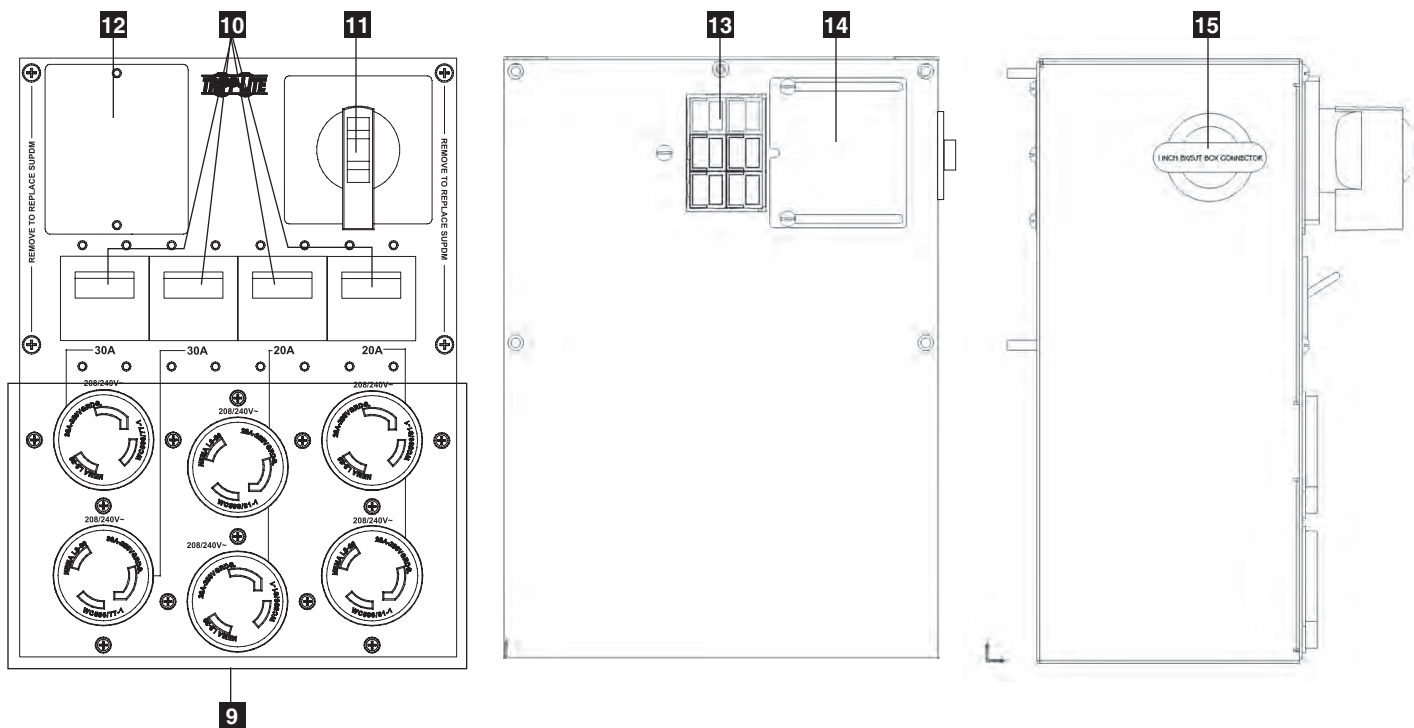
- 1** **Affichage À cristaux liquides (LCD)** : cet affichage à matrice à points lumineux (16 × 2 caractères) indique une large gamme de conditions de fonctionnement et de données de diagnostic afférant à votre UPS. Il présente également les paramètres et options de l'UPS lorsque celui-ci est en mode configuration.
- 2** **BOUTON « ON/MUTE »** : appuyez sur ce bouton et maintenez la pression jusqu'à ce que vous entendiez un bip. L'onduleur du système UPS est alors sur ON. Si l'alarme de la batterie de l'UPS sonne, appuyez sur ce bouton pour l'arrêter.
- 3** **BOUTON « SCROLL DOWN/EXIT SETUP »** : ce bouton vous permet de parcourir les différentes options et de voir la puissance sur l'affichage LCD. Lorsque vous appuyez sur ce bouton et le relâchez, l'écran LCD affiche les différents niveaux de puissance (voir « Utilisation » page 64). Lorsque vous appuyez dessus en même temps que sur le bouton « SCROLL UP », l'UPS entre en mode configuration, et dans ce cas, ce bouton est utilisé pour faire défiler les options de configuration et pour sortir du mode configuration.
- 4** **BOUTON « SCROLL UP/SELECT »** : ce bouton vous permet de parcourir les différentes options et de voir la puissance sur l'affichage LCD. Lorsque vous appuyez sur ce bouton et le relâchez, l'écran LCD affiche les différents niveaux de puissance. Lorsque vous appuyez dessus en même temps que sur le bouton « SCROLL DOWN », l'UPS entre en mode configuration, et dans ce cas, ce bouton est utilisé pour sélectionner les options de configuration.
- 5** **BOUTON « OFF »** : appuyez sur ce bouton jusqu'à ce que vous entendiez un bip. L'onduleur du système UPS est alors sur OFF.
- 6** **DEL « O/P » (sortie)** : cette lumière verte s'allumera pour indiquer que votre UPS fournit un courant CA à l'équipement raccordé.
- 7** **DEL « DC/AC » (onduleur – CC/CA)** : cette lumière verte s'allumera pour indiquer que l'onduleur CC/CA de l'UPS est activé.
- 8** **DEL « BYPASS » (dérivation)** : cette lumière verte s'allumera lorsque l'UPS fournit une alimentation secteur filtrée sans passer par son convertisseur ou onduleur. Si cette DEL s'allume, l'équipement raccordé ne recevra aucune alimentation par batterie en cas de panne, à moins que le Mode économie d'énergie n'ait été activé.
- 9** **DEL « AC/DC » (convertisseur – CA/CC)** : cette lumière verte s'allumera pour indiquer la mise en charge des bloc-batteries raccordés par le biais du convertisseur CA/CC de l'UPS.
- 10** **DEL « BATTERY » (batterie)** : cette lumière verte s'allumera lorsque l'UPS décharge la batterie pour fournir à l'équipement raccordé un courant CA. Une alarme se mettra en route. Vous pouvez l'éteindre en appuyant sur le bouton « ON/MUTE ». Cette DEL restera allumée après que l'alarme a cessé de sonner.
- 11** **DEL I/P (entrée)** : cette lumière verte s'allumera pour indiquer que l'alimentation d'entrée CA est présente.
- 12** **FENTES ACCESSOIRES** : pour changer de commandes, introduisez un tournevis à tête plate dans ces fentes et soulevez doucement le panneau. En prenant soin de ne pas tordre de manière excessive ou d'arracher les câbles lorsque vous raccordez les commandes au reste de l'UPS, tourner les commandes jusqu'à ce que vous soyez satisfaits et remettez-les en place.



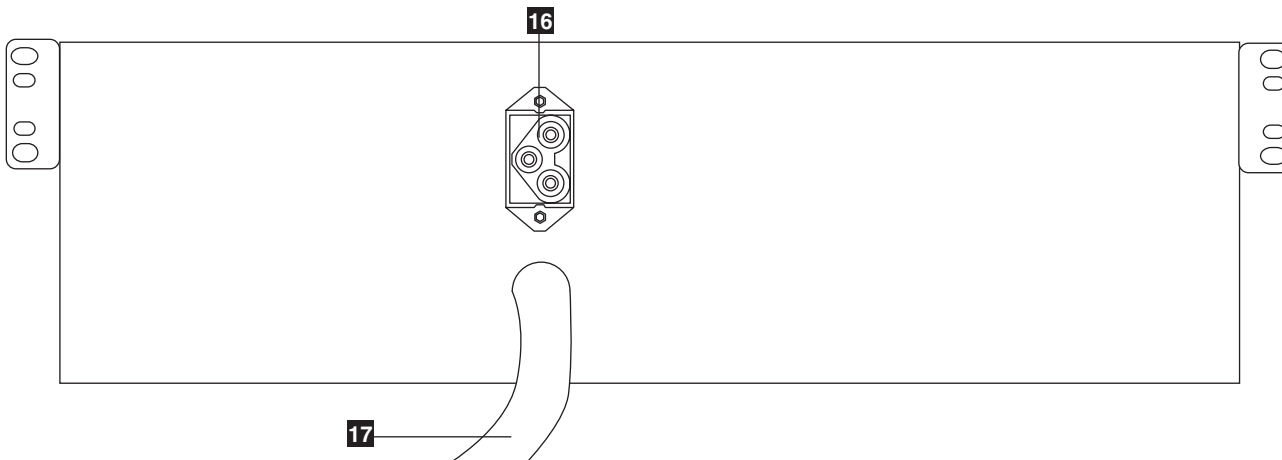
Module d'alimentation 8kVA/10kVA



Distributeur d'alimentation amovible



Module de batterie



Caractéristiques (Panneau arrière)

Description des caractéristiques du module d'alimentation

- 1 Fente accessoire :** Retirez la petite plaque de revêtement pour installer les accessoires facultatifs permettant de contrôler et de surveiller à distance votre Système UPS. Rendez-vous sur le site Internet de Tripp Lite (www.tripplite.com) pour obtenir plus d'informations, notamment la liste des SNMP et des produits de gestion de réseau et de connectivité qui peuvent être installés dans cette fente.
- 2 Port de communication RS-232 :** ce port de série femelle DB9 peut être utilisé pour raccorder votre UPS à une station de travail ou à un serveur. Il utilise un protocole RS-232 pour communiquer avec un ordinateur raccordé. Il est utilisé avec le logiciel de Tripp Lite et le câble série fourni pour surveiller et gérer l'UPS à distance sur un réseau et pour sauvegarder automatiquement des fichiers ouverts et éteindre l'équipement en cas de panne. Voir « Raccordement optionnel » pour plus de détails. Une carte de fermeture de circuit en option est disponible s'il y a lieu (no de pièce Tripp Lite RELAYIOCARD).
- 3 Connecteur parallèle :** pour une communication UPS en parallèle.
- 4 Port de Communication USB :** le port USB peut être utilisé pour raccorder votre UPS à une station de travail ou à un serveur. Il est utilisé avec le logiciel de Tripp Lite et le câble USB fourni pour surveiller et gérer l'UPS à distance sur un réseau et pour sauvegarder automatiquement des fichiers ouverts et éteindre l'équipement en cas de panne. Voir « Raccordement optionnel » pour plus de détails. Pour des communications en USB, les deux commutateurs DIP doivent être sur ON, afin de désactiver le port RS-232.
- 5 Port EPO (Emergency Power Off – arrêt d'urgence) :** utilisé pour raccorder le module d'alimentation au commutateur avec fermeture à contact pour permettre l'arrêt d'urgence. Voir la section « Raccordement optionnel » pour plus de détails.
- 6 Ventilateur :** ce dispositif permet de refroidir et de ventiler l'intérieur d'un module d'alimentation.
- 7 Connecteur de batterie externe :** utilisez ce connecteur pour raccorder un ou plusieurs module(s) de batterie Tripp Lite au module d'alimentation. Retirez la protection pour faciliter l'accès. Le module d'alimentation ne se mettra pas en marche s'il n'est pas raccordé à un module de batterie chargé. Consultez le manuel de l'utilisateur relatif au module de batterie pour obtenir les consignes de raccordement et les avertissements de sécurité.
- 8 Bloc de branchement d'entrée :** utilisez ces bornes pour raccorder votre module d'alimentation au PDU amovible.

Description des caractéristiques du distributeur d'alimentation amovible

- 9 Prises de sortie CA :** compatibles avec un raccordement direct à la prise des fiches des équipements NEMA L6-30P ou NEMA L6-20P.
- 10 Disjoncteurs de sortie CA :** contrôle l'alimentation de sortie vers les prises de sortie CA du PDU.
- 11 Commutateur de dérivation de maintenance :** permet au technicien qualifié de retirer le PDU du module d'alimentation pour effectuer les travaux de maintenance réguliers sans interrompre l'alimentation vers la charge. Lorsque ce commutateur est positionné sur « BYPASS » (dérivation), la charge recevra le courant de service CA et aucune batterie de secours ne sera disponible en cas de panne. Voir la section « Utilisation en dérivation manuelle » pour obtenir davantage de détails sur les procédures de dérivation manuelle. **ATTENTION ! Destiné aux techniciens spécialisés uniquement. Si vous ne suivez pas l'intégralité de la procédure de dérivation (voir « Utilisation en dérivation manuelle » page 62), l'UPS ne s'éteindra pas correctement, ce qui peut présenter un danger de mort ou de préjudice grave en cas de contact avec une haute tension.**
- 12 Bloc de branchement d'entrée :** utilisez ces bornes pour raccorder le PDU au courant de service. Pour accéder aux bornes, dévissez et retirez la protection du bloc de branchement.
- 13 Boîte de raccordement d'entrée du module d'alimentation :** utilisez ces bornes pour raccorder le PDU au Module d'alimentation.
- 14 Couvercle coulissant pour les bornes d'entrée du module d'alimentation :** faites glisser le couvercle sur les bornes après avoir retiré le PDU du Module d'alimentation au cours de l'Utilisation en dérivation manuelle (p. 62).
- 15 Accès aux câbles du bloc de branchement d'entrée :** sur la gauche du PDU.

Description des caractéristiques du Module de batterie

- 16 Connecteur d'entrée :** utilisez ce connecteur pour monter en série les modules de batterie supplémentaires sur le premier. Retirez la plaque de protection pour vous faciliter l'accès. Consultez le manuel de l'utilisateur relatif au module de batterie pour obtenir les consignes de raccordement et les avertissements en termes de sécurité.
- 17 Câble de sortie :** utilisez ce câble pour raccorder le module de batterie au module d'alimentation ou à un autre module de batterie. Le module d'alimentation ne se mettra pas en marche s'il n'est pas raccordé à un module de batterie chargé. Consultez le manuel de l'utilisateur relatif au module de batterie pour obtenir les consignes de raccordement et les avertissements en termes de sécurité.

Raccordement

Précautions concernant le câblage

- Le câblage doit être effectué par un électricien qualifié.
- Lorsque vous effectuez les raccordements de câbles, veuillez respecter les réglementations en matière de raccordement des câbles en vigueur dans votre région [par exemple, le Code national de l'électricité est en vigueur aux États-Unis] à tout moment. Veillez à installer un interrupteur général facilement accessible dans votre câblage afin de pouvoir couper le courant CA de l'UPS en cas d'incendie ou autres cas d'urgence. Assurez-vous que les câbles sont chemisés et sont fixés par les crochets du connecteur. Serrez les raccordements à la torque d'au moins 24-28 pouces-livres (2,7-3,2 NM).
- Assurez-vous que votre équipement est relié correctement à la terre.
- L'utilisation de câbles dont les dimensions ne sont pas adaptées peut endommager votre équipement et vous exposer au risque d'incendie. Veillez à choisir les câbles et les circuits de protection qui conviennent pour effectuer le raccordement de vos câbles. Les conducteurs de terre doivent être de la même taille et du même type que les conducteurs d'alimentation utilisés.
- Consultez les directives du Code national de l'électricité pour en savoir plus sur les exigences en termes de calibre à fils approprié et de circuit de protection de sortie.

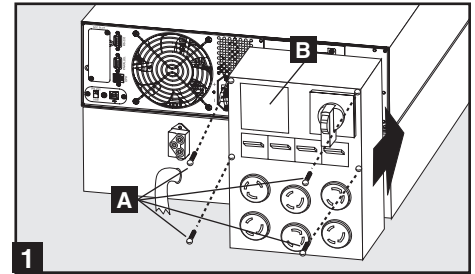
Tension nominale d'entrée et de sortie				
Modèle	Tension d'entrée	Courant nominal d'entrée maximum	Courant nominal de sortie maximum	Taille type des câbles
8kVA	208-240V (L - N)	46 A	40 A	8mm ² =8 AWG
10kVA	208-240V (L - N)	56 A	50 A	8mm ² =8 AWG

Raccordement

Raccordement entre les modules, au courant de service et à l'équipement

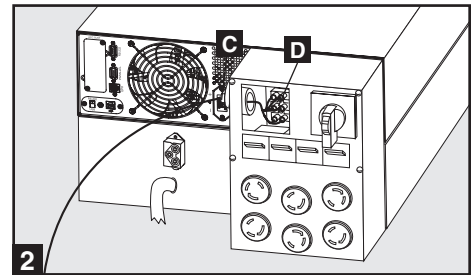
1 Fixez le PDU au module d'alimentation et au module de batterie.

Alignez et raccordez les bornes d'entrée du module d'alimentation du PDU sur les bornes situées à l'arrière du module d'alimentation. Fixez le PDU au module d'alimentation à l'aide des quatre vis **A**. Avant d'aller plus loin, assurez-vous que le commutateur de dérivation est en position « NORMAL ». Retirez la protection **B** du bloc de branchement d'entrée.



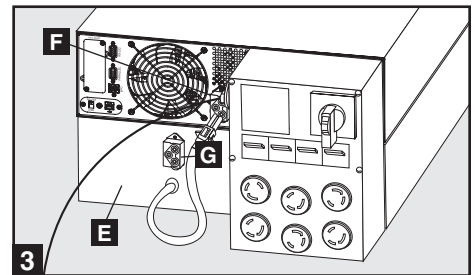
2 Raccordez le PDU à la source d'alimentation du courant de service à l'aide d'un câble.

Passez un câble (fourni par l'utilisateur) à travers l'entrée sectionnable sur le côté gauche du PDU **C** et raccordez-le aux bornes d'entrée **D** du PDU. Remettez la protection du bloc de branchement en place. Raccordez l'autre extrémité du câble à la source d'alimentation du courant de service.



3 Raccordez le module de batterie au module d'alimentation.

Consultez le manuel de l'utilisateur fourni avec votre module de batterie. Insérez complètement le connecteur de l'extrémité du câble **E** du module de batterie dans le connecteur qui se trouve sur le panneau arrière du module d'alimentation **F**. Il se peut que de petites étincelles apparaissent, c'est normal. REMARQUE : le module d'alimentation ne contient pas de batteries internes et ne se mettra en service que lorsqu'il sera raccordé à un module de batterie. Les modules sont chargés à fond avant d'être expédiés. Toutefois, pour une capacité maximum de sauvegarde (d'autant plus si le module de batterie a été stocké pendant une longue période) après que le système UPS ait été raccordé à la source d'alimentation du courant de service, laissez le module de batterie charger pendant 12 heures. Lorsque vous mettez votre système UPS en marche, il chargera les batteries et maintiendra automatiquement le niveau de charge. Si nécessaire, installez les modules de batterie supplémentaires en série en prenant soin d'insérer le câble de chaque module dans le connecteur **G** du module précédent.



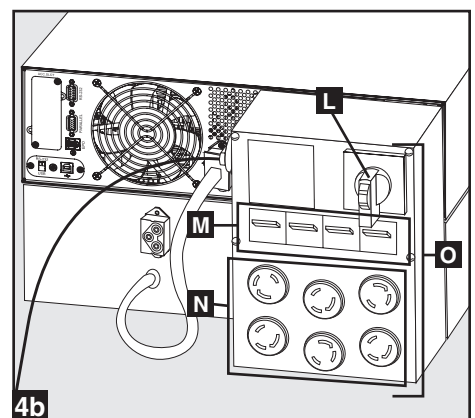
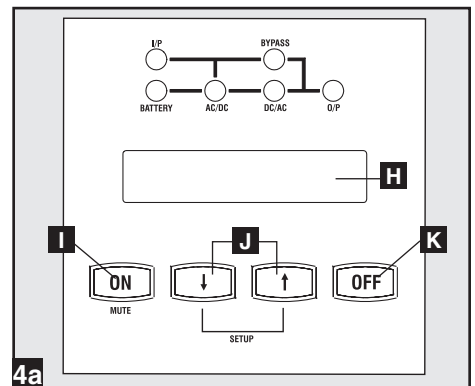
Contacts sur le module de batterie/ d'alimentation
ATTENTION ! Haute tension !
Risque de choc électrique !
 En raison de la présence de batteries internes à haute tension, même en l'absence de CA, ces contacts sont sous tension !
 Ne laissez ces contacts toucher aucune surface !

Contacts sur le PDU amovible
ATTENTION ! Haute tension !
Risque de choc électrique !
 En présence de CA et si le Commutateur de dérivation est sur « Bypass » (dérivation), ces contacts sont sous tension !
 Ne laissez ces contacts toucher aucune surface !

4 Mettez l'UPS sur ON

Note: L'onduleur fonctionnera correctement dès le démarrage d'initialisation, cependant le fonctionnement maximum de la batterie de l'unité ne sera accessible qu'après avoir été rechargée durant 24 heures.

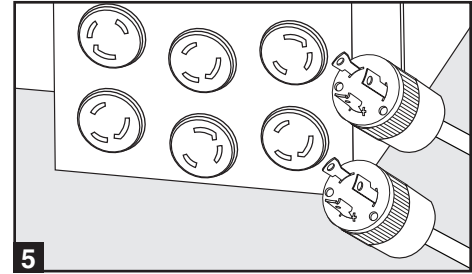
- Allumez le disjoncteur de la source d'alimentation du courant de service de l'UPS. Ceci mettra sous tension le module d'alimentation de l'UPS et l'écran LCD **H** du panneau de contrôle affichera « BYPASS MODE » (mode dérivation).
- Veillez à ce que le commutateur de dérivation manuel **L** du module du PDU soit en position « NORMAL ».
- Allumez les disjoncteurs **M** du circuit de sortie du PDU.
- Configurez le système UPS en « SETUP MODE » (mode configuration). Passez en mode configuration en appuyant sur les deux boutons **J** en même temps.
- Faites défiler les options de configuration (à l'aide des boutons **J**) et appuyez sur le bouton « SELECT » **I** pour choisir les paramètres appropriés :
 - « **Input & Output Voltage** » (tension d'entrée & de sortie) : sélectionnez 200, 208, 220, 230, ou 240V AC (CA).
 - « **Output Frequency** » (fréquence de sortie) : le système UPS choisira automatiquement 50 ou 60 Hz pour s'aligner sur la puissance d'entrée.
 - « **Economy Mode** » (mode économie d'énergie) : le système UPS peut fonctionner à double conversion sans aucun temps de transfert. Il peut également fonctionner en mode encore plus économique et interactif. Sélectionnez « ECONOMY ON » pour le mode interactif. Sélectionnez « ECONOMY OFF » pour le mode à double conversion.
- Après avoir configuré les options, sortez du mode configuration à l'aide des boutons **J**.
- Appuyez sur le bouton **I** « ON » du panneau de contrôle jusqu'à ce que le système UPS fasse un bip, puis relâchez le bouton.
- Le système UPS procédera à une auto-vérification rapide et affichera les résultats sur les DEL du panneau de contrôle et l'écran LCD **H**. Voir « Auto-vérification de démarrage » dans la section « Utilisation » pour la séquence d'affichage.
- Une fois l'auto-vérification terminée, l'écran LCD **H** devrait afficher « ONLINE MODE » (mode à double conversion) ou « ECONOMY MODE » (mode économie d'énergie), selon l'option que vous avez choisie. Le système UPS est maintenant en service.



Raccordement

5 Branchez votre équipement dans les boîtes de sortie du PDU

Votre UPS est conçu pour être compatible uniquement avec un équipement électronique. Vous surchargez votre UPS si le total de la valeur nominale en VA de l'ensemble de l'équipement raccordé dépasse la capacité de sortie de l'UPS. Ne raccordez pas d'appareils ménagers ou d'imprimantes laser aux boîtes de sortie de l'UPS. Pour connaître la valeur nominale de votre équipement en VA, consultez la plaque signalétique. Si l'équipement est affiché en ampères, multipliez le nombre d'ampères par la tension d'entrée (240V, ou 208V) vous obtiendrez des VA (par exemple : 1 ampère × 120 = 120 VA).



6 Mettez l'UPS sur OFF (facultatif)

1. Appuyez sur le bouton **K** « OFF » du panneau de contrôle jusqu'à ce que vous entendiez un bip, puis relâchez. L'écran LCD **H** affichera « BYPASS MODE » (mode dérivation). L'onduleur est maintenant éteint, mais le système UPS n'est pas encore totalement désactivé et la charge est encore sous tension.
2. Éteignez les disjoncteurs **M** du circuit de sortie situés sur le PDU amovible. La charge cessera d'être sous tension et l'écran LCD **H** sera noir.
3. Éteignez le disjoncteur pour désactiver la source d'alimentation du courant de service de l'UPS. Le système UPS est alors éteint et l'écran LCD **H** va devenir noir.

7 Départ à froid de l'UPS (facultatif)

Au cours d'une panne ou de toute autre défaillance de l'alimentation d'entrée, le système UPS peut être « démarré à froid » à partir de la batterie. (À condition que la batterie soit partiellement chargée.) **Remarque : les paramètres de sortie du système UPS ne peuvent pas être configurés lorsque l'utilisation est effectuée à partir de la batterie. Le système utilisera les paramètres de sortie configurés précédemment.**

1. Assurez-vous que le commutateur de dérivation **L** des modules du PDU est en position « NORMAL ».
2. Allumez les disjoncteurs du circuit de sortie du module **M** du PDU.
3. Appuyez sur le bouton **I** « ON » du panneau de contrôle jusqu'à ce que le système USP fasse un bip, puis relâchez le bouton. L'onduleur du système UPS se mettra en route. **Remarque : certains équipements électroniques nécessitent davantage de courant au démarrage. Lorsque vous effectuez le démarrage à partir de la batterie, pensez à réduire la charge initiale.**
4. Le système UPS procèdera à une auto-vérification rapide et affichera les résultats sur les DEL du panneau de contrôle et l'écran LCD **H**. Voir « Auto-vérification de démarrage » dans la section « Utilisation » pour la séquence d'affichage.
5. Une fois l'auto-vérification terminée, l'écran LCD **H** devrait afficher « ON BATTERY MODE » (sur mode batterie) et une alarme devrait sonner.
6. Le système UPS fournira désormais l'alimentation à l'équipement raccordé jusqu'à ce que la batterie soit déchargée.

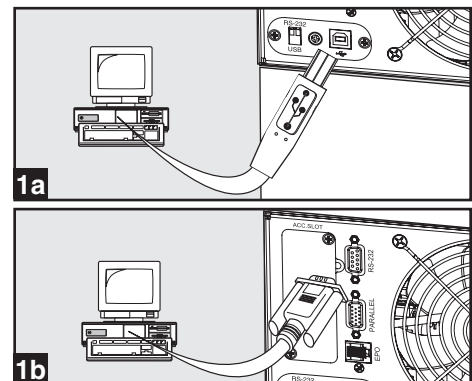
Raccordement facultatif

Les raccordements suivants sont facultatifs. Votre système UPS fonctionnera correctement sans ces raccordements.

1 Raccordement de communication en série USB et RS-232

Utilisez le câble USB fourni **1a** et/ou le câble en série **1b** RS-232 DB9 pour raccorder le port de communication de votre ordinateur au port de communication de votre UPS. Installez sur votre ordinateur le logiciel Tripp Lite PowerAlert adapté à votre système d'exploitation. Consultez votre manuel PowerAlert pour plus d'informations.

Remarque concernant le port de communication USB : le port USB peut être utilisé pour raccorder votre UPS à une station de travail ou à un serveur. Il est utilisé avec le logiciel de TrippLite et le câble USB fourni pour surveiller et gérer l'UPS à distance sur un réseau et pour sauvegarder automatiquement des fichiers ouverts et éteindre l'équipement en cas de panne. Voir « Raccordement optionnel » pour plus de détails. Pour des communications en USB, les deux commutateurs DIP doivent être sur ON, afin de désactiver le port RS-232.



Raccordement facultatif

2 Raccordement du port EPO

Cette caractéristique en option est seulement pour les applications qui nécessitent une connexion à un circuit de mise hors tension d'urgence (EPO) d'une installation. Lorsque l'ASC est connectée à ce circuit, elle permet la fermeture d'urgence de l'inverseur de l'ASC et empêche le transfert à une dérivation interne. À l'aide du câble fourni, brancher le port EPO à l'ASC (voir **2a**) à un commutateur, fourni par l'utilisateur, normalement fermé ou normalement ouvert selon le diagramme du circuit (voir **2b**).

Remarque :

1. Si un câble autre que celui fourni est utilisé, le câble ne devrait pas excéder 106 mètres (350 pieds) ou avoir une résistance supérieure à 10 ohms.
2. Si un commutateur EPO sans maintien est utilisé, l'EPO doit être maintenu pendant au moins 1 seconde. Cela ne s'applique pas à un commutateur EPO avec maintien.

MISE EN GARDE : Le port EPO n'est pas un parasurtenseur de ligne téléphonique; ne pas brancher une ligne téléphonique à ce port.

État de l'unité d'ASC en affirmant l'EPO en présence d'une ligne c.a. :

DEL	Sortie	Ventila-teurs	Série	SNMP	USB	Écran ACL
OFF (hors tension)	OFF (hors tension)	OFF (hors tension)	OFF (hors tension)	OFF (hors tension)	OFF (hors tension)	« Arrêt d'urgence »

Pour redémarrer l'unité d'ASC après avoir affirmé l'EPO en présence d'une ligne c.a. :

1. Vérifier que l'assertion de l'EPO a été enlevée ou supprimée.
2. Enlever la ligne d'alimentation c.a. de l'unité d'ASC.
3. Remettre la ligne d'alimentation c.a. L'ASC va maintenant redémarrer en mode de dérivation et l'ACL affichera « BYPASS MODE » (mode de dérivation).

État de l'unité d'ASC en affirmant l'EPO sans ligne d'alimentation c.a. :

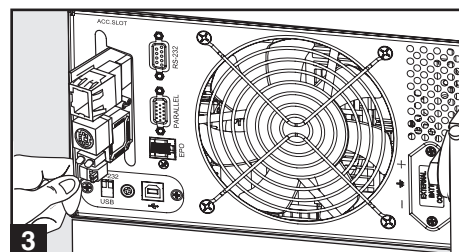
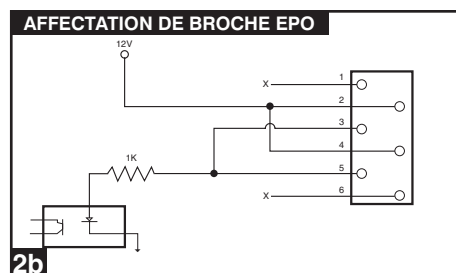
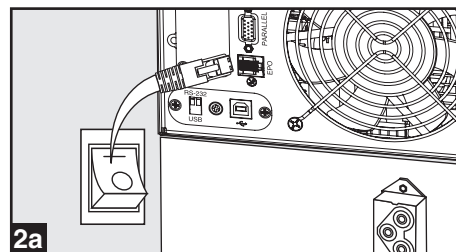
DEL	Sortie	Ventila-teurs	Série	SNMP	USB	Écran ACL
OFF (hors tension)	OFF (hors tension)	OFF (hors tension)	OFF (hors tension)	OFF (hors tension)	OFF (hors tension)	« Arrêt d'urgence »

Pour redémarrer l'unité d'ASC après l'assertion de l'EPO sans ligne d'alimentation c.a. :

1. Vérifier que l'assertion de l'EPO a été enlevée ou supprimée.
2. Remettre la ligne d'alimentation c.a. sur l'unité d'ASC. L'ASC va maintenant redémarrer en mode de dérivation et l'ACL affichera « BYPASS MODE » (mode de dérivation).

3 Insertion de la carte interne SNMP/WEB

Retirez le petit panneau protecteur de la fente accessoire avant d'utiliser les accessoires optionnels pour pouvoir surveiller et contrôler votre UPS à distance. N'hésitez pas à contacter le service d'assistance au client de Tripp Lite au (773) 869-1234 pour obtenir plus d'informations, notamment la liste des SNMP et des produits de gestion de réseau et de connectivité disponibles.



Dérivation manuelle (pour l'entretien ou le remplacement du module d'alimentation)

Le système UPS comprend un module d'alimentation/de batterie autonome en plus d'un PDU indépendant et amovible doté d'un commutateur de dérivation. Ce commutateur permet au technicien qualifié de retirer le PDU du module d'alimentation/de batterie pour effectuer les travaux de maintenance réguliers sans interrompre l'alimentation vers les charges raccordées. Lorsque ce commutateur est positionné sur « BYPASS » (dérivation), l'équipement raccordé recevra le courant de service CA, mais ne pourra pas recevoir l'alimentation de la batterie en cas de panne.

Remarque : si vous le souhaitez, vous pouvez également vous procurer un PDU amovible câblé optionnel auprès de Tripp Lite. N'hésitez pas à contacter Tripp Lite pour plus de détails.

(Facultatif : au cours du remplacement à chaud, le PDU peut être logé au fond de la configuration du rack à l'aide des équerres de fixation et du matériel fourni avec le PDU. Voir l'ÉTAPE 5 page 55 pour les consignes de montage)

ATTENTION ! Réservé aux techniciens qualifiés uniquement. Si vous ne respectez pas la procédure de dérivation à la lettre, le module d'alimentation/de batterie de l'UPS ne s'éteindra pas correctement, ce qui peut présenter un danger de mort ou de préjudice grave en cas de contact avec une haute tension. Le module d'alimentation/de batterie de l'UPS et le PDU amovible sont extrêmement lourds. L'exécution de cette procédure requiert plusieurs personnes.

Dérivation manuelle (pour l'entretien ou le remplacement du module d'alimentation)

Retrait du module d'alimentation/de batterie de l'UPS

ÉTAPE 1. Désactivez le logiciel PowerAlert et retirez les câbles de communication des ports de communication **A** du module d'alimentation/de batterie de l'UPS.

ÉTAPE 2. Appuyez sur le bouton **D** « OFF » de l'UPS, si l'UPS est en marche, jusqu'à ce que vous entendiez un bip et voyez apparaître « BYPASS MODE » (mode dérivation) sur l'écran LCD.

ÉTAPE 3. Positionnez le commutateur de dérivation **B** du PDU amovible sur « BYPASS » (dérivation).

ÉTAPE 4. Si un module de batterie externe est raccordé à l'UPS **E**, déconnectez-le de l'UPS.

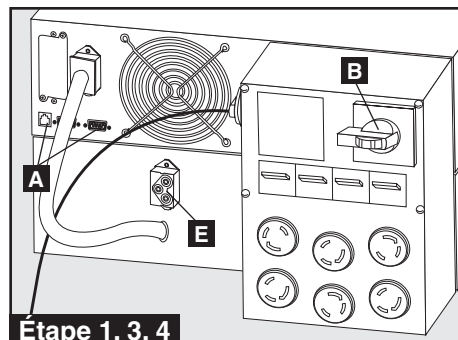
Le module d'alimentation/de batterie de l'UPS est désormais éteint correctement et il peut être retiré du PDU pour effectuer les travaux de maintenance/le remplacement.

⚠ ATTENTION ! Haute tension ! Risque de choc électrique ! VOIR CI-DESSOUS. ⚠

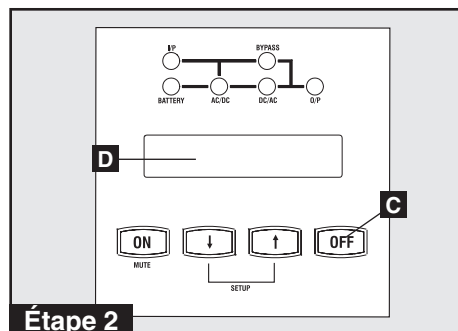
ÉTAPE 5. Retirez les quatre vis qui maintiennent le PDU amovible au module d'alimentation/de batterie.

ÉTAPE 6. À l'aide d'un assistant à chaque extrémité, retirez avec soin le PDU amovible du module d'alimentation/de batterie. Pendant cette manœuvre, assurez-vous que chaque section est correctement soutenue après avoir été séparées. Si les sections sont isolées dans une application de montage en rack, veuillez à ce que chaque section reste soutenue correctement par les rails du montage en rack de l'UPS. Retirez le matériel du montage en rack du panneau avant de l'UPS ; faites glisser les modules d'alimentation et de batterie vers l'avant et retirez-les. Si vous préférez laisser le PDU isolé sur le rack, accrochez l'unité en bas du rack sur les étriers installés du PDU à l'aide des vis utilisées pour attacher le PDU au système UPS. (Voir page 55 pour l'installation des équerres de fixation du PDU).

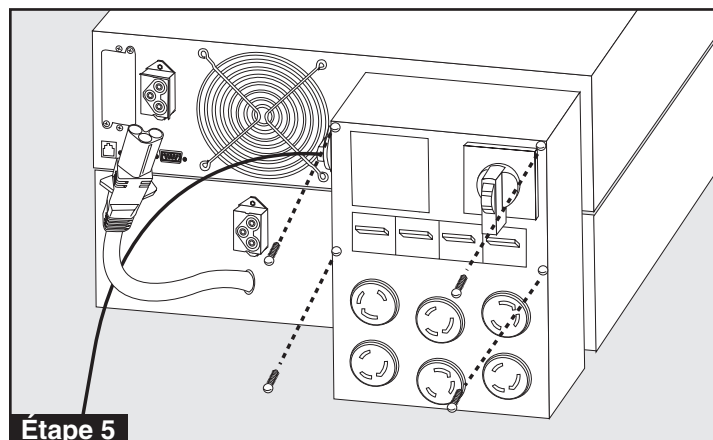
Si les sections sont isolées dans une application en tour, veuillez à ce que le PDU soit soutenu par les pieds de la tour de l'UPS. Ajustez les pieds de la tour pour qu'ils soient aussi proches que possible.



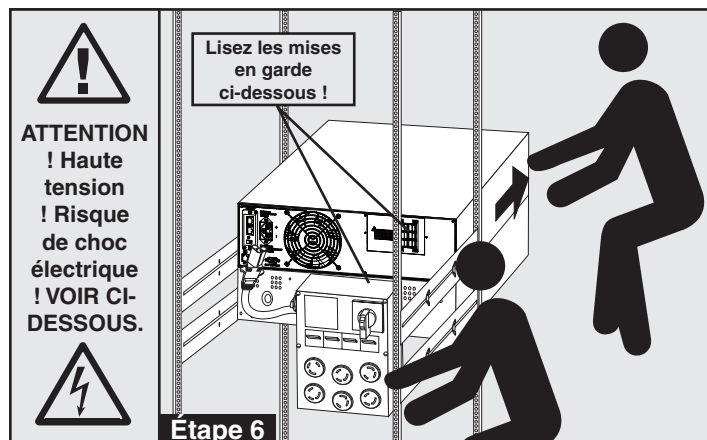
Étape 1, 3, 4



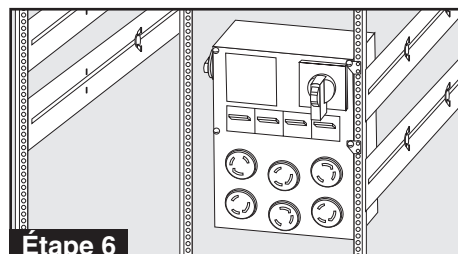
Étape 2



Étape 5



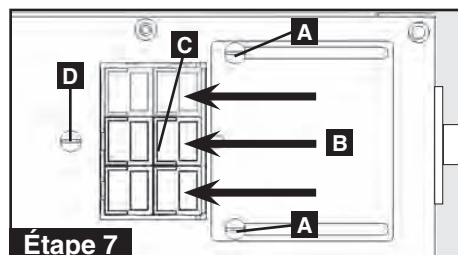
Étape 6



Étape 6

ÉTAPE 7: Desserrez les vis **A** de la protection **B**. Faites glisser la protection sur les contacts **C**. Serrez la vis **D** pour fixer la protection. Attention : soyez extrêmement prudents lorsque vous manipulez le PDU. Ne laissez pas les contacts toucher quelque surface.

Pour rattacher le PDU, suivez les étapes ci-dessus dans le sens inverse.



Étape 7

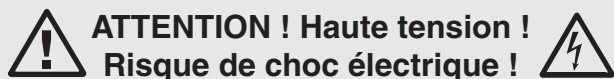
Dérivation manuelle (pour l'entretien ou le remplacement du module d'alimentation)



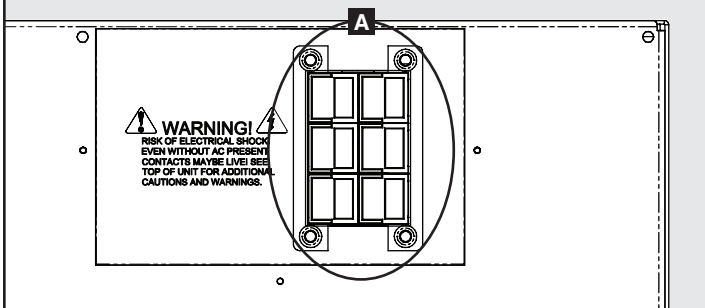
Avertissement concernant la haute tension



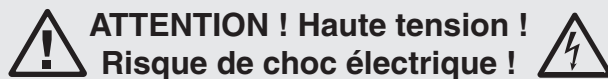
Contacts sur le Module d'alimentation/de batterie



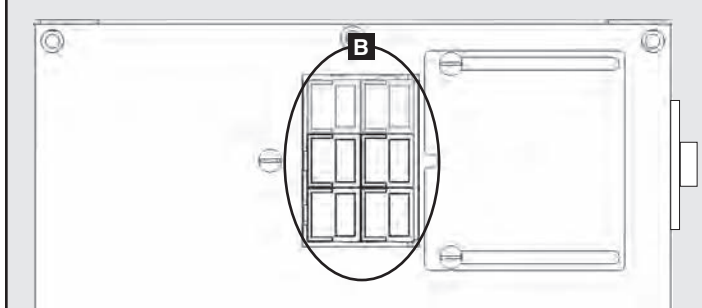
En raison de la présence de batteries internes à haute tension, même en l'absence de CA, ces contacts **A** sont sous tension ! Ne laissez ces contacts toucher aucune surface !



Contacts sur le PDU amovible



En présence de CA et si le commutateur de dérivation est sur « Bypass » (dérivation), ces contacts **B** sont sous tension ! Ne laissez ces contacts toucher aucune surface !



Spécifications

Les modèles ci-dessous comprennent un module d'alimentation, un ou deux modules de batterie, et un module PDU.

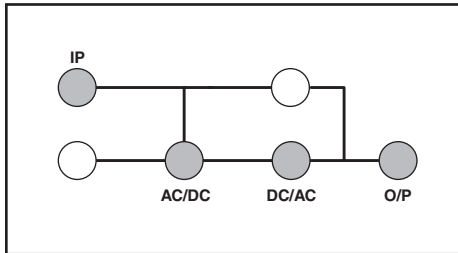
Renseignements sur le modèle

Modèle # (S)	8kVA	10kVA
Puissance d'entrée		
Type de raccordement d'entrée	Connecteur Anderson 75A (3 pôles)	Connecteur Anderson 75A (3 pôles)
Plage de tension d'entrée	156~280V Monophasé	156~280V Monophasé
Tension d'entrée du module	200/208/220/230/240V AC	200/208/220/230/240V AC
Fréquence d'entrée	50/60Hz (40~70Hz)	50/60Hz (40~70Hz)
Courant d'entrée	46.0/44.2/41.8/40.0/38.3 (Maximum)	56.1/54.0/51.0/48.8/46.8 (Maximum)
Courant d'appel	<200A	<200A
Facteur de puissance (pleine charge)	>0.98	>0.98
Efficacité (pleine charge/à double conversion)	90%	90%
Disjoncteur du circuit du Module d'alimentation	Sans objet	Sans objet
Modèle de batterie	BP240V10RT-3U; 20 x 12V9Ah	BP240V10RT-3U; 20 x 12V9Ah
Puissance de sortie		
VA	8000	10000
Watts (Facteur de puissance : 0,9)	7200	9000
Type de raccordement de sortie	Connecteur Anderson 75A (3 pôles)	Connecteur Anderson 75A (3 pôles)
Oscillogramme (à double conversion)	Puissance sinusoïdale	Puissance sinusoïdale
Oscillogramme (sur batterie)	Puissance sinusoïdale	Puissance sinusoïdale
Tension de sortie (RMS)	200/208(défaillance)/220/230/240Vac (Monophasé)	200/208(défaillance)/220/230/240Vac (Monophasé)
Fréquence de sortie	50/60Hz ± 0.05Hz	50/60Hz ± 0.05Hz
Régulation de tension électrique	±2%	±2%
Distorsion harmonique maximum (pleine charge linéaire)	<2%	<2%
Distorsion harmonique maximum (pleine charge non linéaire)	<3%	<3%
Capacités de surcharge	105% (Continu), 106%-125% (1 Minute), 126%-150% (30 secondes), >150% (Immédiat)	105% (Continu), 106%-125% (1 Minute), 126%-150% (30 secondes), >150% (Immédiat)
Capacités de court-circuit		
Facteur de crête	2.7:1	2.7:1
Utilisation		
Temps de transfert à double conversion (de et vers la batterie)	0 ms.	0 ms.
Bruit audible (pleine charge à 1m)	60dBA	60dBA
Indicateurs	Comprend un écran LCD et des DEL (i/P (entrée), BATTERIE, CA/CC, DÉRIVATION CC/CA, O/P (sortie).	
Communications	Comprend un RS-232, un connecteur parallèle, un connecteur USB, un connecteur EPO et une fente accessoire.	
Caractéristiques physiques		
Dimensions de l'unité (H x L x P)	25.82 x 17.5 x 5.14 in. [665.8 x 444.5 x 130.5 mm]	25.82 x 17.5 x 5.14 in. [665.8 x 444.5 x 130.5 mm]
Module d'alimentation		
Module du PDU	20.54 x 6.96 x 4.49 in. [521.8 x 176.8 x 114 mm]	20.54 x 6.96 x 4.49 in. [521.8 x 176.8 x 114 mm]
Poids à la livraison		
Poids à la livraison	66 lb. [30 kg.]	66 lb. [30 kg.]
Module d'alimentation		
Module du PDU		

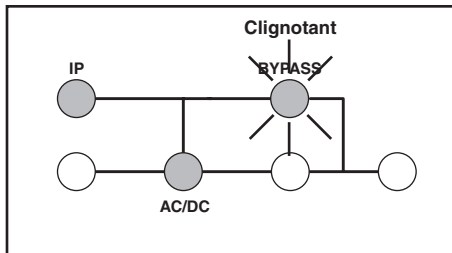
Utilisation

Informations sur l'affichage des DEL

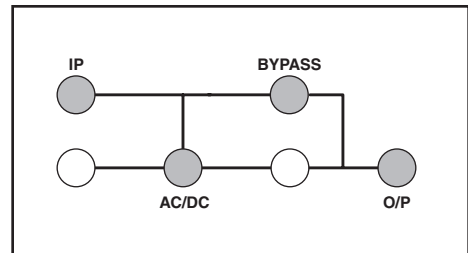
Mode CA : tension d'entrée CA, plage normale : 156-280V.



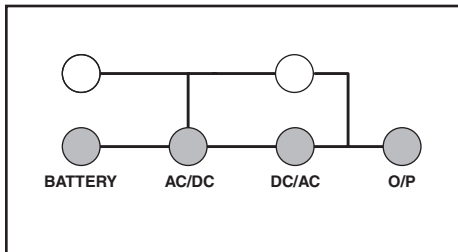
Mode dérivation : tension d'entrée CA, plage de : -20 à +15% de la tension nominale ; mode dérivation activé.



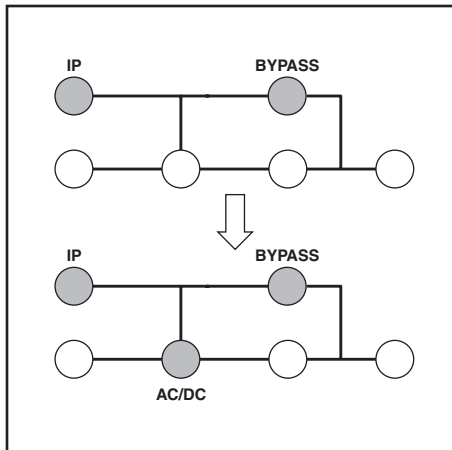
Mode économie d'énergie : tension d'entrée CA, plage entre -10 et +10% de la tension nominale ; mode économie d'énergie activé.



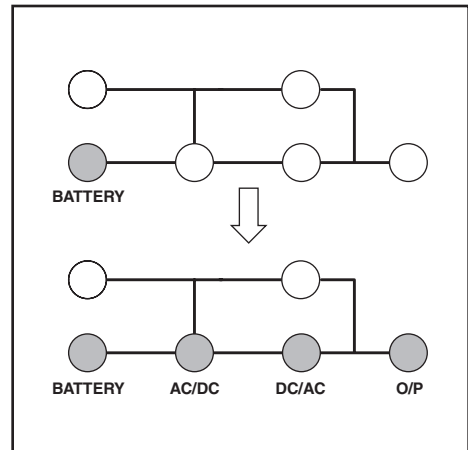
Mode démarrage à froid/batterie : si vous démarrez à froid en mode batterie, voici ce que vous verrez sur l'affichage DEL :



Démarrage en courant CA : en démarrant en courant CA, voici la séquence DEL que vous obtiendrez :

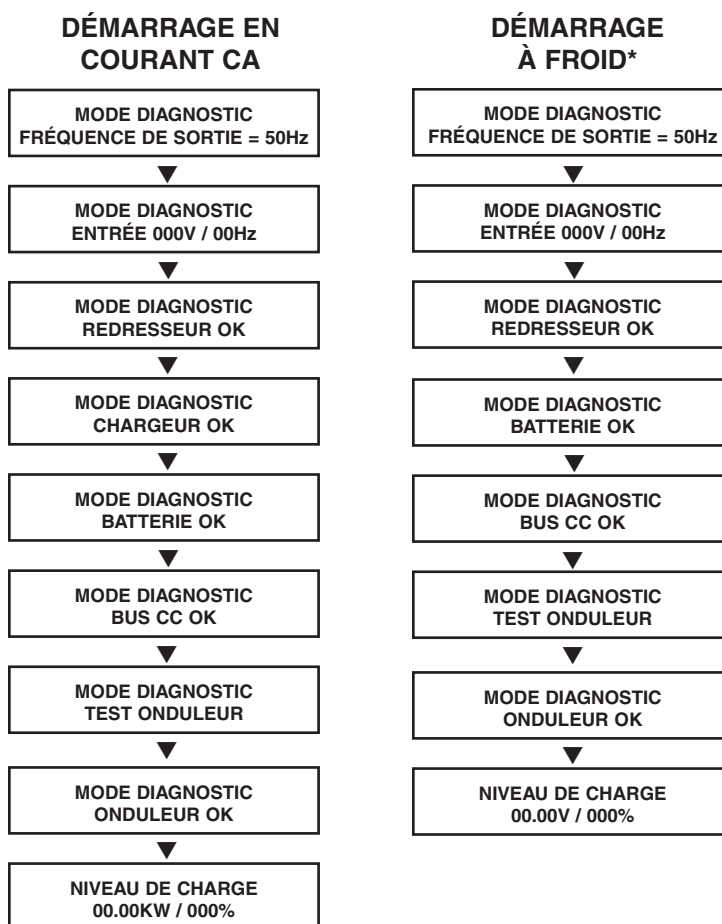


Démarrage à froid : en démarrant à froid, voici la séquence DEL que vous obtiendrez :



Auto-vérification de démarrage

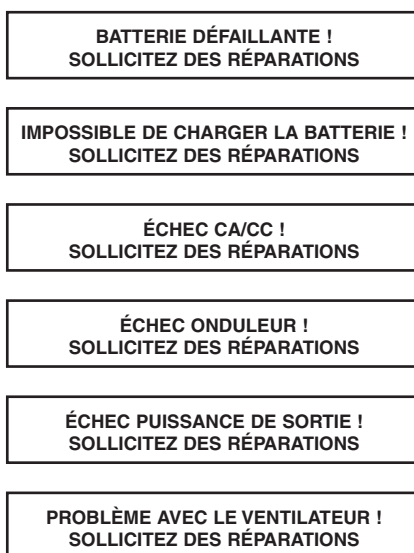
Lorsque vous mettez l'UPS sur ON, il entrera en Mode diagnostic et effectuera une brève auto-vérification d'environ 15 secondes. Les résultats de l'auto-vérification sont indiqués sur l'écran LCD dans la séquence ci-dessous.



* Remarque : si l'UPS a été démarré à froid, sa DEL de BATTERIE s'allumera.

Échec de l'auto-vérification

En cas de problème au cours de l'auto-vérification, l'écran LCD affichera un message d'erreur. Si votre UPS affiche l'un des messages suivants sur le LCD, appelez le service d'assistance technique de Tripp Lite au (773) 869-1234.



Utilisation

Fonctionnement normal

En fonctionnement normal, la première ligne de votre écran LCD montre sur quel mode de fonctionnement est votre UPS : à double conversion, en économie d'énergie, sur batterie ou en dérivation.

Mode à double conversion : l'UPS fournit un courant CA tant que le courant de service est disponible et bascule en mode Batterie instantanément (temps de transfert nul) si le courant CA est interrompu.

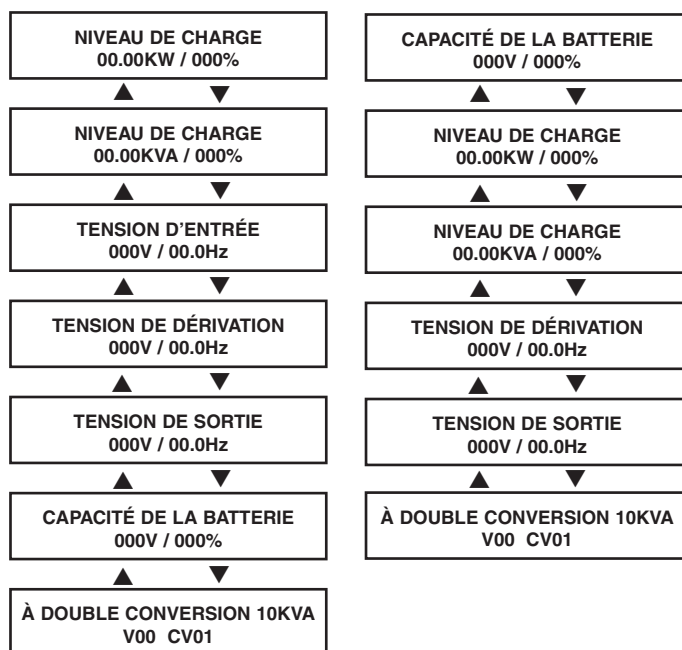
Mode économie : l'UPS fournit un courant CA à haut rendement tant que le courant de service est compris dans +/- 10% de la tension nominale d'entrée CA et bascule en mode Batterie (temps de transfert nul) si le courant CA est interrompu.

Mode industriel : si l'UPS détecte une fluctuation de la tension de sortie de plus de 5 ms, l'UPS basculera en mode dérivation, et retournera en mode à double conversion lorsque la puissance de sortie sera redevenue normale.

Mode batterie : l'UPS fournit un courant CA à partir de la batterie de secours tant qu'elle est chargée. Elle bascule à nouveau vers le mode à double conversion ou économie d'énergie si le courant de service est disponible et s'éteint si elle est déchargée.

Mode dérivation : l'UPS fournit un courant CA tant que le courant de service est disponible. L'UPS s'éteint dès que le courant CA est interrompu.

La seconde ligne de l'écran LCD affiche les paramètres du courant de base. Appuyez sur les boutons « SCROLL » pour faire défiler ces paramètres dans l'ordre indiqué ci-dessous.



Menu de configuration de l'UPS

Appuyez sur les boutons « UP↑ » et « DOWN↓ » simultanément pendant 3 secondes jusqu'à ce que le « SETUP MENU » (menu de configuration) s'affiche comme indiqué ci-dessous :

UPS CONFIGURATION
QUITTER ENTRER

Appuyez sur le bouton « UP↑ » pour entrer dans le Mode configuration.

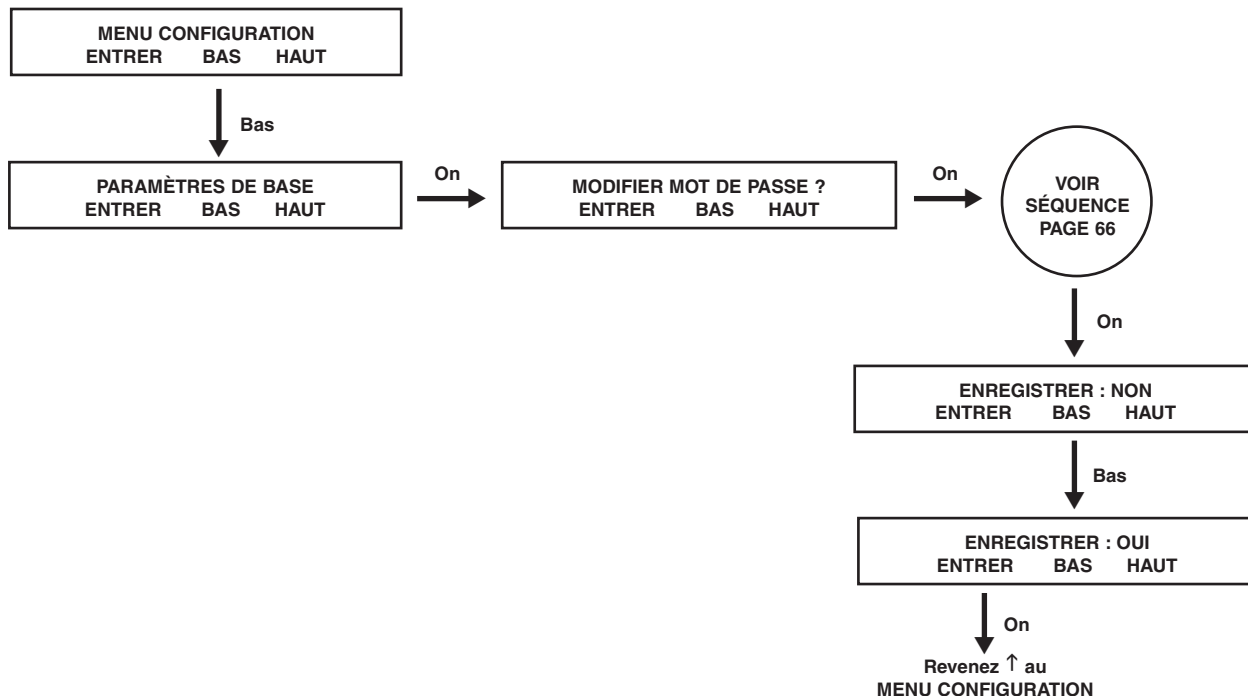
Pour y accéder, vous devrez saisir un mot de passe.

MOT DE PASSE : 0000
ENTRER BAS HAUT ↵

Lorsque vous appuyez sur les boutons « UP↑ » h et « DOWN↓ » i (0-9), les chiffres augmenteront ou diminueront de 1. Faites défiler pour sélectionner le premier numéro, puis appuyez sur le bouton « ON ». Ceci mémorisera le premier chiffre et vous emmènera à la séquence suivante. Votre mot de passe doit être compris dans la plage 0000-9999 et doit être modifié par l'administrateur. Le mot de passe par DÉFAUT est 1234.

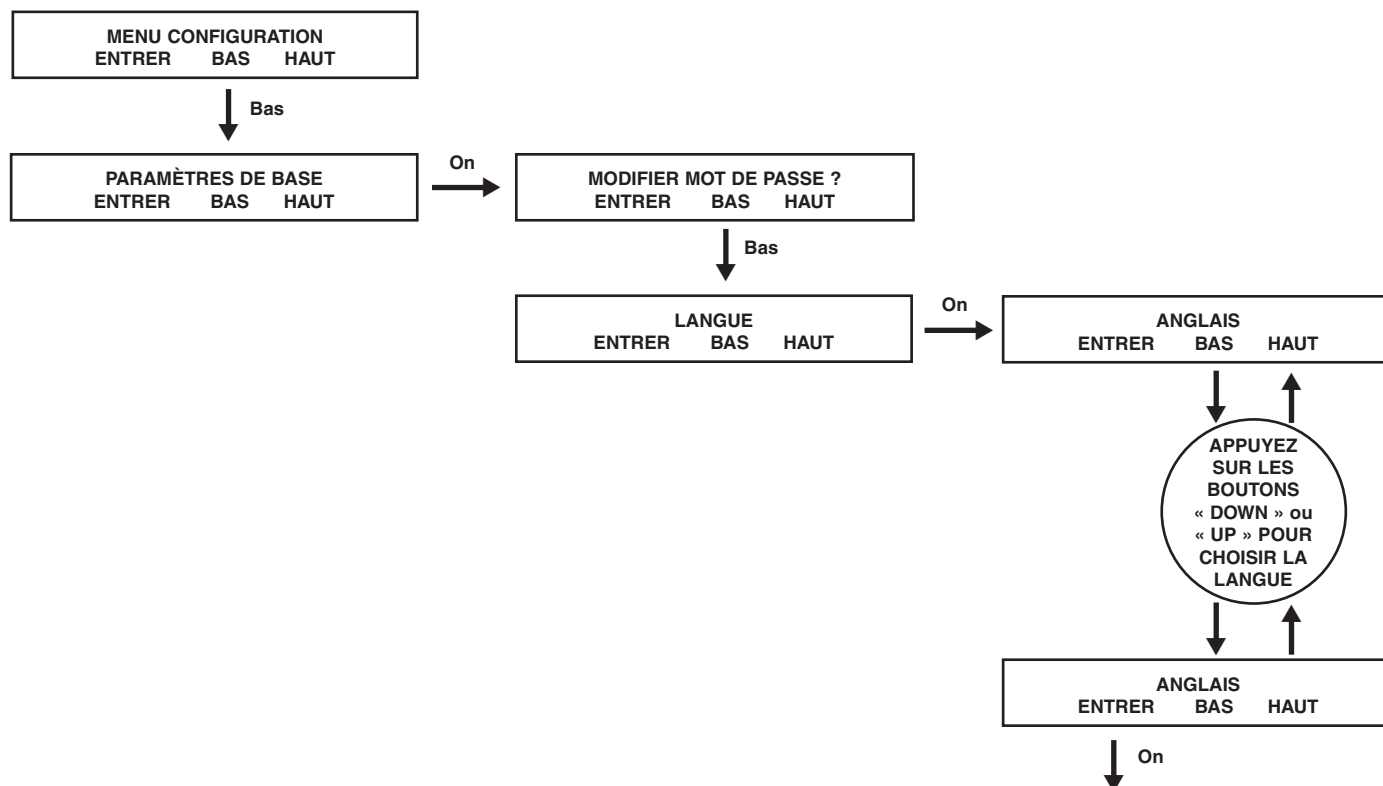
Modifier le mot de passe

Pour modifier le mot de passe, faites défiler vers le bas (bouton « DOWN↓») sur l'écran « SETUP MENU » (menu configuration) vers l'écran « BASIS SETTING » (paramètres de base). À partir de là, appuyez sur « ON » pour arriver sur l'écran « CHANGE PASSWORD » (modifier le mot de passe). Sur cet écran, appuyez sur « ON » et suivez les étapes décrites précédemment pour créer votre mot de passe. Lorsque vous avez terminé, appuyez sur « ON » pour passer à l'écran « SAVING » (enregistrer). Faites défiler vers le bas (bouton « DOWN↓») jusqu'à l'écran « SAVING:YES » et appuyez sur « ON » pour enregistrer. À l'aide du bouton « UP↑», revenez au « SETUP MENU » (menu configuration).



Sélectionner la langue

Pour sélectionner la langue, appuyez sur le bouton « DOWN↓ » pour descendre jusqu'à l'écran « BASIS SETTING » (paramètres de base). Appuyez sur « ON » pour voir à l'écran « CHANGE PASSWORD » (modifier mot de passe) et descendez jusqu'à l'écran « LANGUAGE » (langue). Ensuite, appuyez sur « ON ». Vous pouvez ensuite parcourir les différentes options de langue à l'aide des boutons « DOWN↓ » et « UP↑ » et choisir celle qui vous convient. Appuyez sur « ON » pour enregistrer votre sélection.



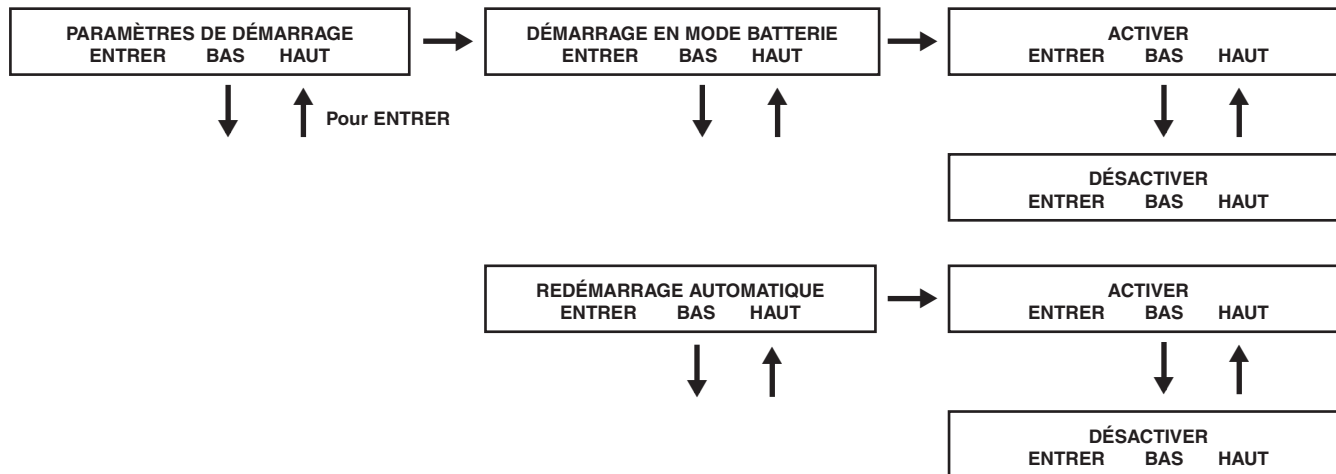
Utilisation

Paramètres de démarrage

L'UPS peut démarrer en utilisant la batterie sans avoir recours au courant CA. L'option par DÉFAUT est « ENABLE » (activé). Lorsque l'UPS passe sur la batterie, il peut effectuer un REDÉMARRAGE AUTOMATIQUE pour fonctionner en mode à double conversion dès que le courant CA est rétabli. L'option par DÉFAUT est « ENABLE » (activé).

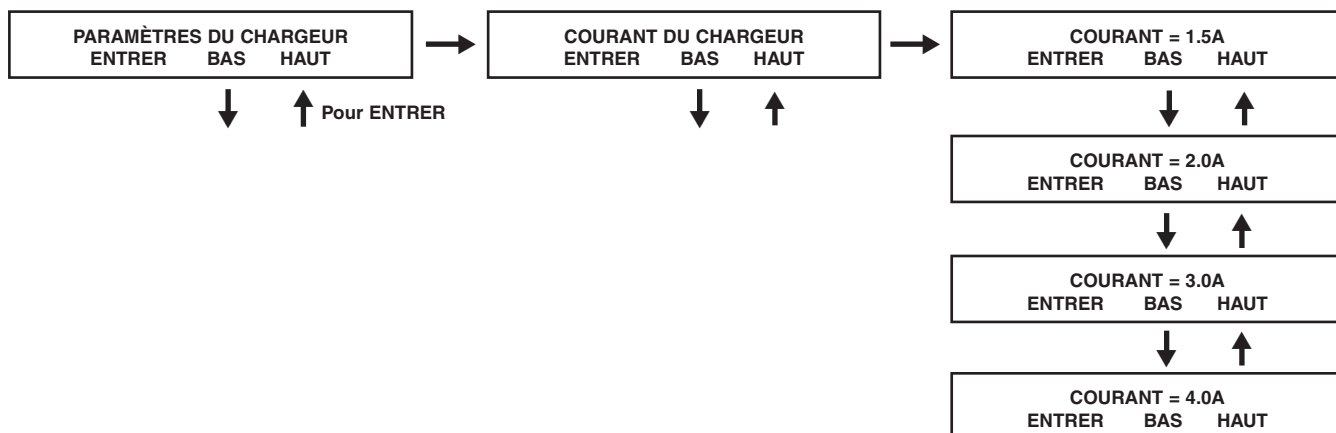
À partir de l'écran « SETUP MENU » (menu configuration), descendez à l'aide du bouton « DOWN↓ » jusqu'à l'écran « START SETTING » (paramètres de démarrage). Ensuite, appuyez sur le bouton « ON » pour atteindre l'écran « BATTERY START » (démarrage en mode batterie). Appuyez ensuite sur « ON » pour voir l'écran « ENABLE » (activer) et appuyez à nouveau pour confirmer ou sur « DOWN↓ » pour passer à l'écran « DISABLE » (désactiver) et appuyez sur « ON » pour confirmer.

Sur l'écran « BATTERY START » (démarrage en mode batterie), appuyez sur le bouton « DOWN » pour atteindre l'écran « AUTO RESTART » (redémarrage automatique). En appuyant sur « ON », vous arriverez à l'écran « ENABLE » (activer) ; appuyez sur « ON » pour ACTIVER. Appuyez sur « DOWN↓ » pour arriver à l'écran « DISABLE » (désactiver). Appuyez sur « ON » pour confirmer.



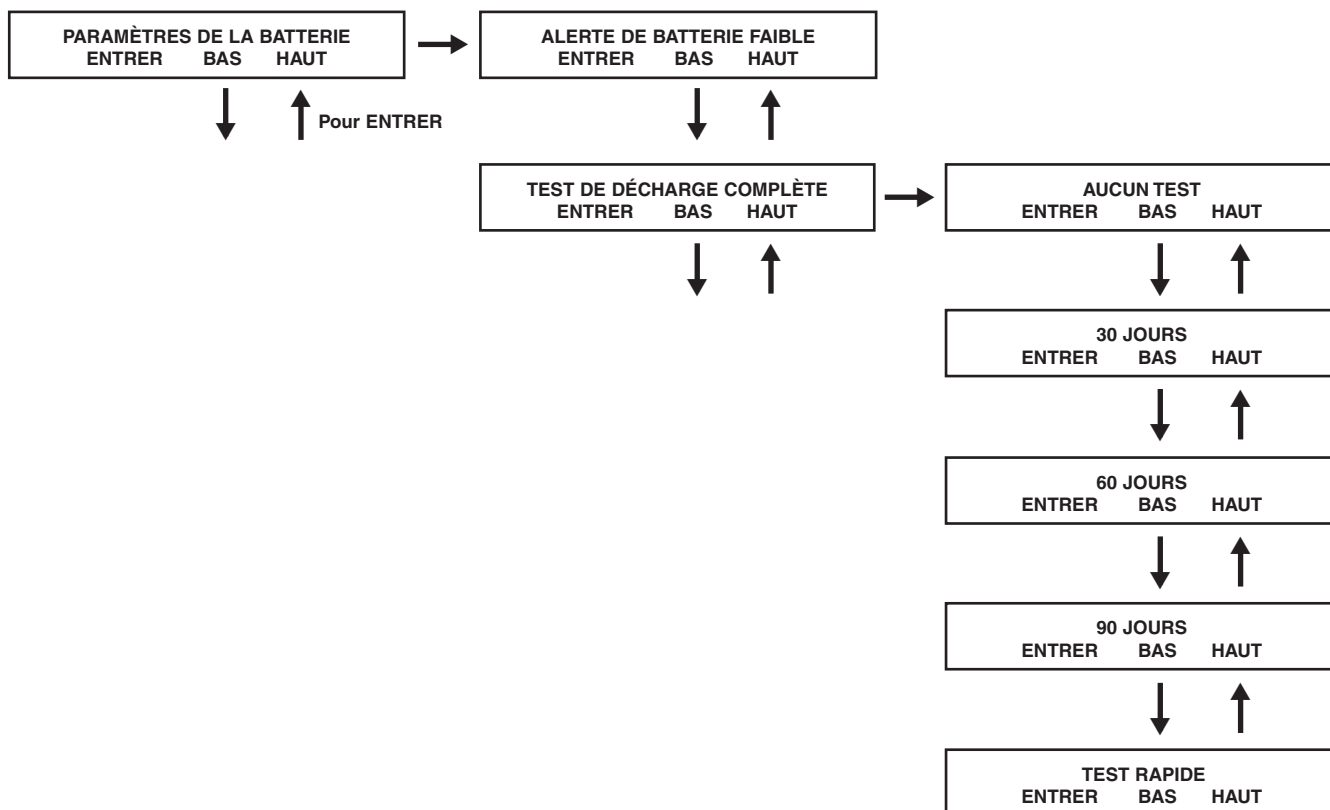
Paramètres du chargeur

Sur l'écran « SETUP MENU » (menu configuration), appuyez sur « DOWN↓ » jusqu'à ce que vous voyiez « CHARGER SETTING » (paramètres du chargeur). Appuyez ensuite sur « ON » pour atteindre l'écran « CHARGER CURRENT » (courant du chargeur). Appuyez à nouveau sur « ON ». Vous pouvez ensuite utiliser les boutons « DOWN↓ » et « UP↑ » pour sélectionner les valeurs de courant entre 1,5 et 4,0A. Appuyez sur « ON » pour enregistrer la valeur que vous avez choisie.



Paramètres de la batterie

Test de décharge complète : utilisé pour déterminer la durée des tests de décharge complète. Sur l'écran « SETUP MENU » (menu configuration), appuyez sur « DOWN↓ » jusqu'à ce que vous voyez l'écran « BATTERY SETTING » (paramètres de la batterie). Appuyez sur « ON » pour atteindre « BATTERY LOW ALARM » (alerte de batterie faible) et appuyez sur « DOWN↓ » jusqu'à ce que vous voyez l'écran « DEEP DISCH TEST » (test de décharge complète). Appuyez alors sur ON. Vous pouvez maintenant appuyer sur « DOWN↓ » ou « UP↑ » pour choisir entre NO TEST (aucun test), 30, 60, 90 jours et QUICK TEST (test rapide). Lorsque vous avez trouvé la durée qui vous convient, appuyez sur « ON » pour enregistrer votre sélection. La valeur par DÉFAUT est « NO TEST » (aucun test).

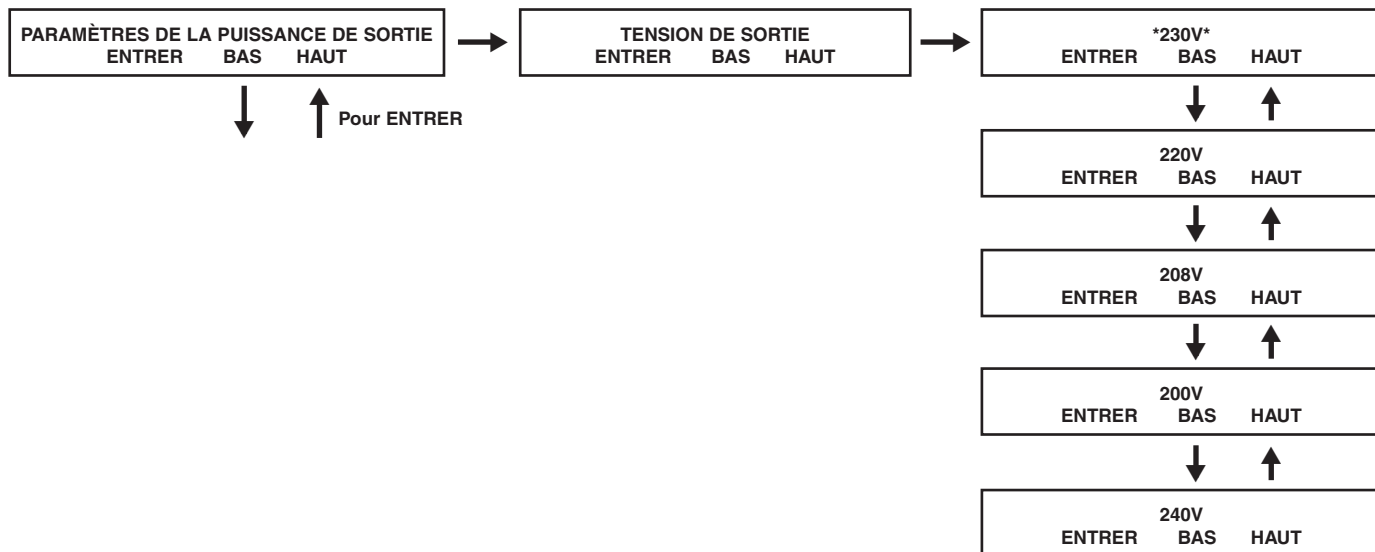


Paramètres de la puissance de sortie

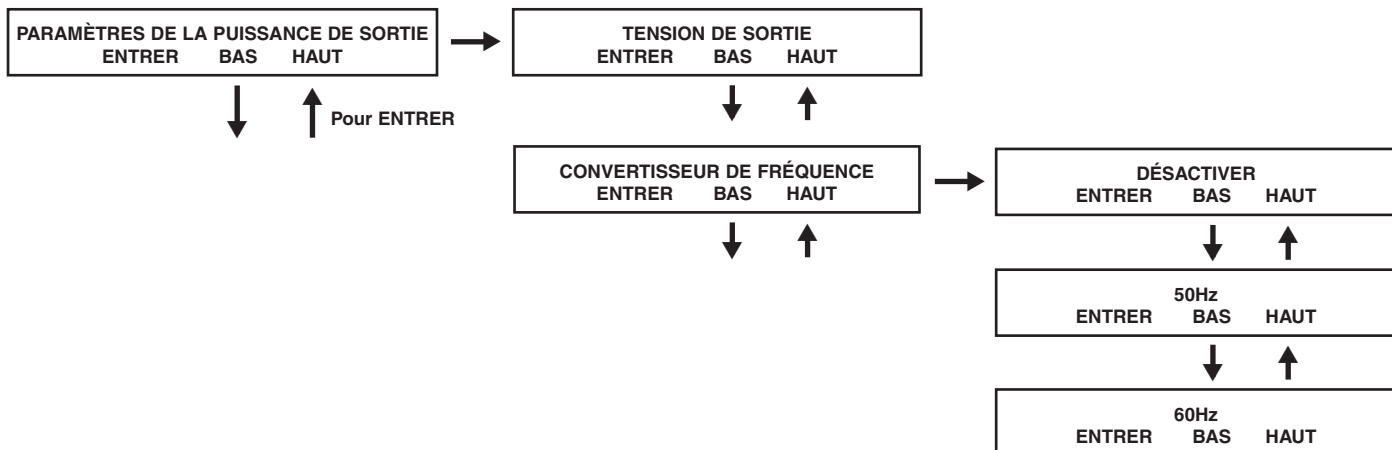
Remarque : pour modifier les paramètres de la puissance de sortie, vous aurez besoin du cycle électrique de l'UPS.

Tension de sortie : pour déterminer la valeur nominale de la tension de sortie de l'UPS. Sur l'écran « SETUP MENU » (menu configuration), appuyez sur « DOWN↓ » jusqu'à ce que vous voyez l'écran « OUTPUT SETTING » (paramètres de la puissance de sortie). Appuyez sur « ON » pour atteindre l'écran « OUTPUT VOLTAGE » (tension de sortie) et appuyez à nouveau sur « ON ». Vous pouvez alors appuyer sur les boutons « DOWN↓ » ou « UP↑ » pour choisir entre les 5 valeurs de tension : 200/208/220/230/240V. Appuyez sur « ON » pour enregistrer votre sélection.

Valeur par défaut : 208V.

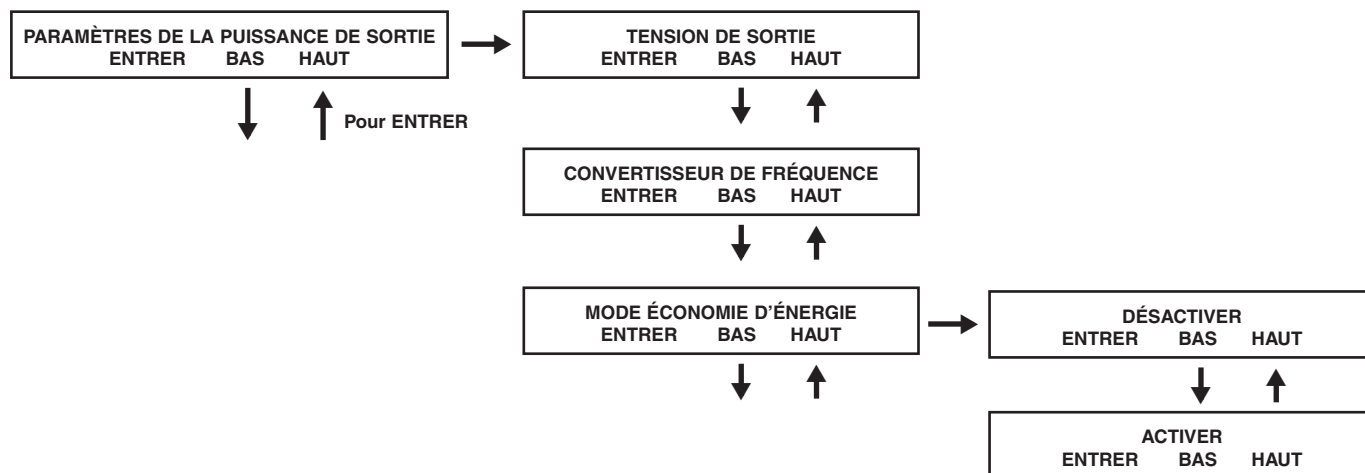


Convertisseur de fréquence : utilisé pour paramétrer le Mode convertisseur de fréquence. Sur l'écran « SETUP MENU » (menu configuration), appuyez sur « DOWN↓ » jusqu'à ce que vous voyez l'écran « OUTPUT SETTING » (paramètres de la puissance de sortie). Appuyez sur « ENTER » pour voir apparaître l'écran « OUTPUT VOLTAGE » (tension de sortie) et sur « DOWN↓ » pour accéder à l'écran « FREQ CONVERTER » (convertisseur de fréquence). Appuyez sur « ON », à l'aide des boutons « DOWN↓ » et « UP↑ », choisissez entre DISABLE (désactiver), 50 et 60 Hz. Appuyez sur « ON » pour enregistrer votre sélection. Lorsque vous êtes sur « DISABLE », l'UPS détectera automatiquement la fréquence d'entrée et sélectionnera 50 ou 60 Hz en conséquence. La sélection par défaut est « DISABLE » (désactivé).

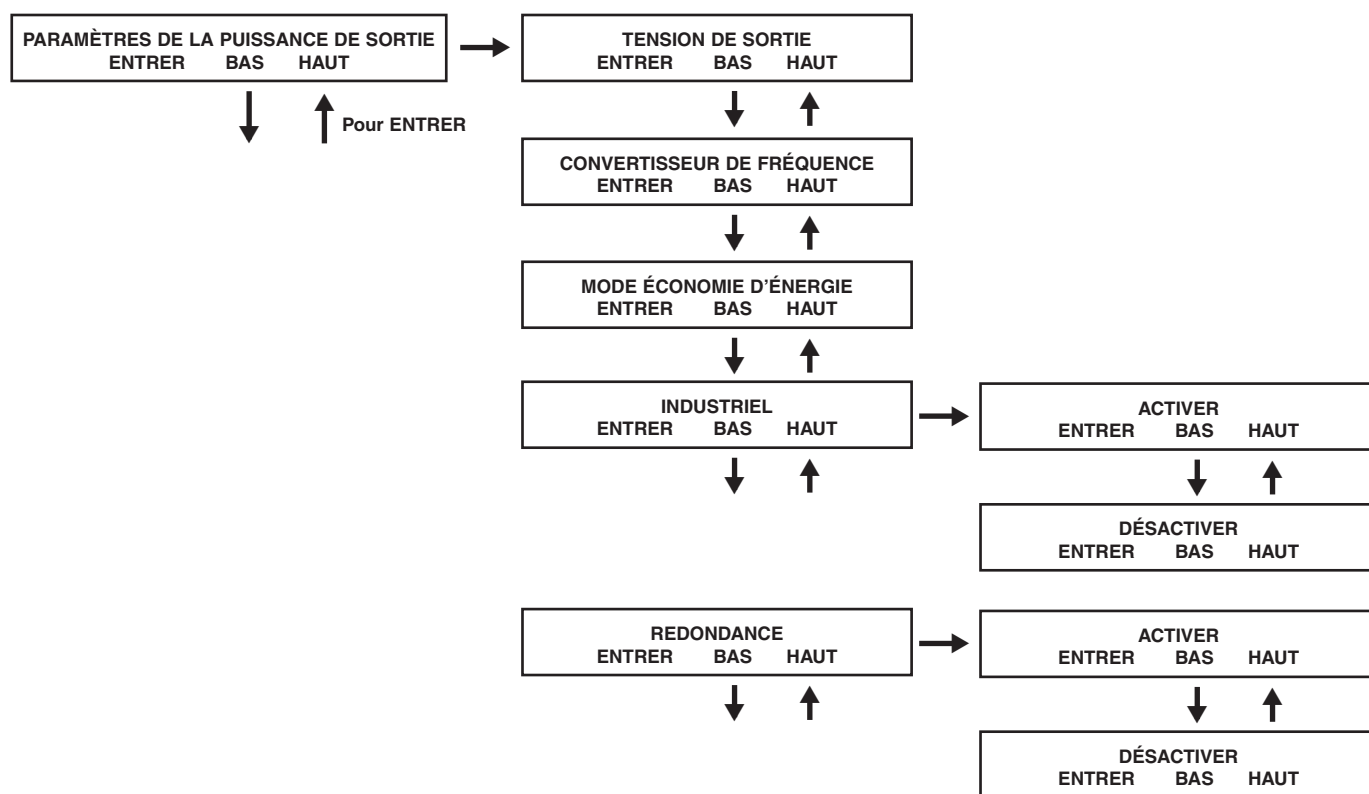


Paramètres de la puissance de sortie

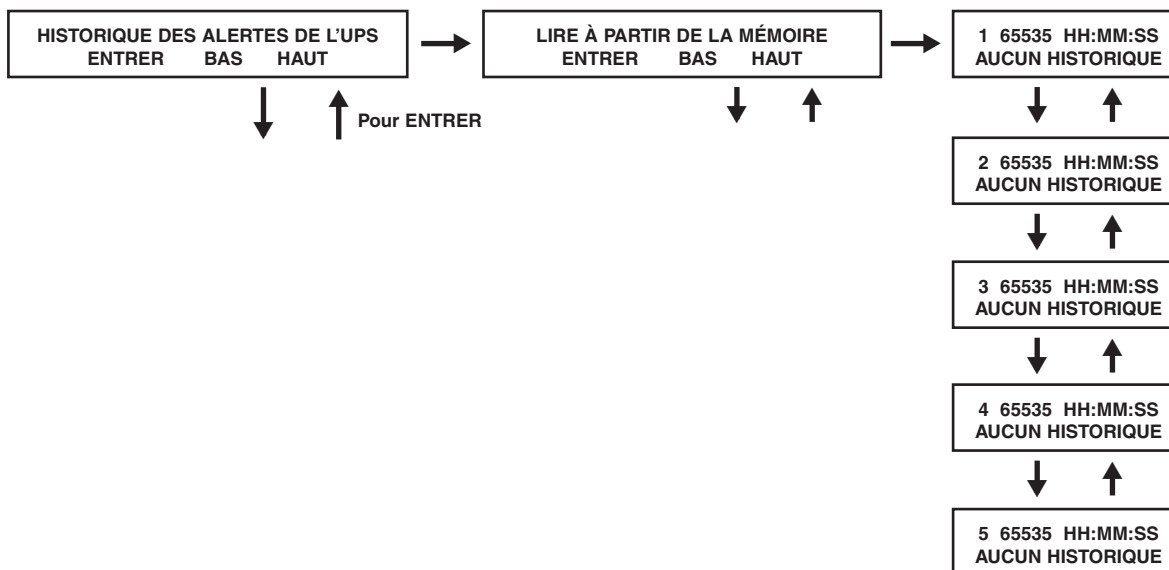
Mode économie d'énergie : utilisé pour déterminer la capacité de l'UPS à travailler en mode économie d'énergie. Lorsque la tension d'entrée est comprise plus ou moins dans une tranche de 10% de la valeur nominale globale, l'UPS basculera en Mode économie d'énergie pour améliorer l'efficacité de l'UPS. Sur l'écran « SETUP MENU » (menu configuration), appuyez sur « DOWN↓ » jusqu'à ce que vous voyez l'écran « OUTPUT SETTING » (paramètres de la puissance de sortie). Appuyez ensuite sur « ON » pour obtenir l'écran « OUTPUT VOLTAGE » (tension de sortie), puis sur « DOWN↓ » en passant par l'écran « FREQ CONVERTER » (convertisseur de fréquence) jusqu'à l'écran « ECO MODE » (mode économie d'énergie). Appuyez ensuite sur « ON » et, à l'aide des boutons « DOWN↓ » et « UP↑ », choisissez entre « DISABLE » (désactiver) et « ENABLE » (activer). Appuyez sur « ON » pour enregistrer votre sélection. Les paramètres par défaut sont sur « DISABLE ».



Industriel : utilisé pour déterminer la protection contre les surtensions de l'UPS. Si vous l'activez et que vous recevez un courant CA dont la tension et la fréquence d'entrée sont comprises dans une plage normale, l'UPS fonctionnera en mode à double conversion. Si l'UPS détecte une fluctuation de la tension de sortie de plus de 5 ms, l'UPS basculera en Mode dérivation, pour retourner au Mode à double conversion lorsque la puissance de sortie est rétablie. Sur l'écran « STARTUP MENU » (menu démarrage), appuyez sur « DOWN↓ » jusqu'à ce que vous obteniez l'écran « OUTPUT SETTING » (paramètres de la puissance de sortie). Appuyez ensuite sur « ON » pour arriver à l'écran « OUTPUT VOLTAGE » (tension de sortie), puis sur « DOWN↓ » jusqu'à ce que vous voyez l'écran « INDUSTRIAL ». Appuyez alors sur « ON » et, à l'aide des boutons « DOWN↓ » ou « UP↑ », vous pouvez maintenant ACTIVER OU désactiver. Appuyez sur « ON » pour enregistrer votre sélection. La valeur par Défaut est « DISABLE » (désactivé). Lorsque vous êtes sur l'écran « INDUSTRIAL », appuyez sur « DOWN↓ » pour arriver sur l'écran « REDUNDANCY » (redondance). Ensuite, appuyez sur « ON ». Puis, à l'aide des boutons « DOWN↓ » et « UP↑ », choisissez soit « ENABLE » (activé) soit « DISABLE » (désactivé). La valeur par défaut est « DISABLE » (désactivé).



Historique des alertes de l'UPS

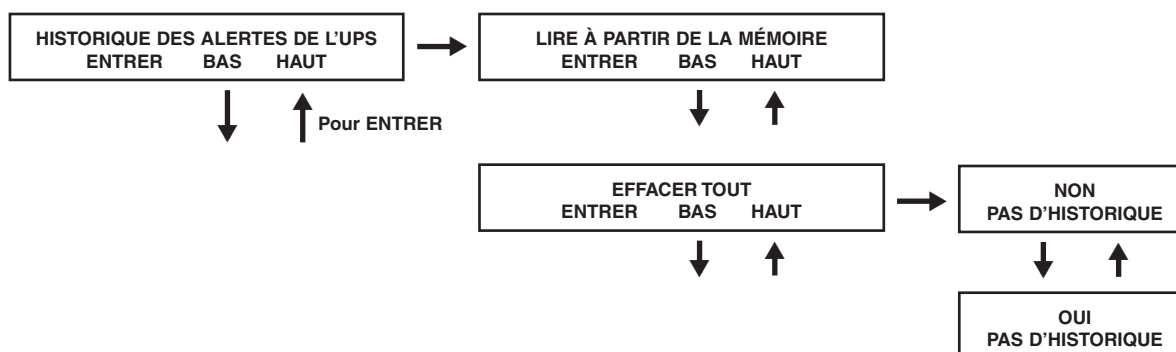


Lire à partir de la mémoire : enregistre les 5 dernières défaillances de la mémoire EEPROM. Voir la liste des défaillances ci-dessous :

LISTE DES DÉFAILLANCES		
ÉCHEC BUS CC	ÉCHEC BATTERIE DU CHARGEUR	ÉCHEC FUSIBLE DE SORTIE
COURT-CIRCUIT	ÉCHEC SCR DÉRIVATION	ÉCHEC PROTECTION CONTRE LES SURTENSIONS BUS CC
ÉCHEC DE L'ONDULATEUR	ÉCHEC SCR D'ENTRÉE EN POSITION COURTE	ÉCHEC RELAIS FUSIBLE POUR HAUTE TENSION D'ENTRÉE EN POSITION COURTE
SURCHAUFFE	DÉRATAGE ARRÊT	ÉCHEC RELAIS FUSIBLE POUR HAUTE TENSION D'ENTRÉE EN POSITION OUVERTE
ÉCHEC SCR DE SORTIE	ÉCONOMIE D'ÉNERGIE	ÉCHEC CTN EN POSITION OUVERTE
SURCHARGE	PUISSANCE DE SORTIE SOUS TENSION	ÉCHEC BASSE TEMP
PROBLÈME AVEC LE VENTILATEUR	ÉCHEC FUSIBLE D'ENTRÉE	

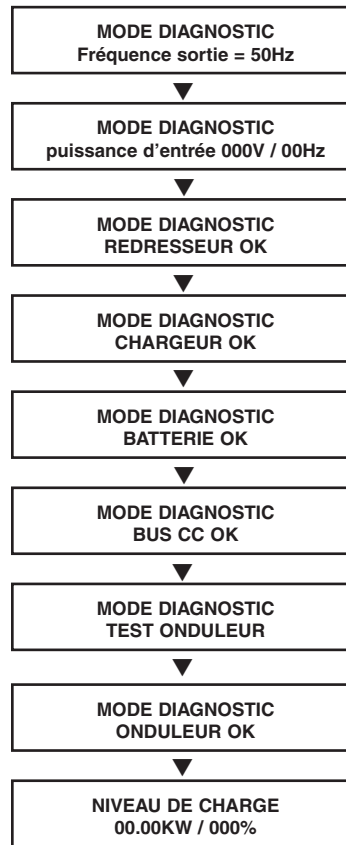
Sur l'écran « SETUP MENU » (menu configuration), appuyez sur « DOWN↓ » jusqu'à ce que vous arriviez à l'écran « UPS ALARM LOG » (historique des alertes de l'UPS). Appuyez alors sur « ON » pour entrer dans « READ FROM MEMORY » (lire à partir de la mémoire) et appuyez à nouveau sur « ON ». À l'aide des boutons « DOWN↓ » et « UP↑ », vous pouvez afficher les 5 dernières défaillances. Appuyez sur « ON » pour quitter le menu.

Effacer tout : sert à effacer l'historique des défaillances. Sur « STARTUP MENU » (menu de démarrage), appuyez sur « DOWN↓ » jusqu'à ce que vous arriviez sur l'écran « UPS ALARM LOG » (historique des alertes de l'UPS). Puis appuyez sur « ON » pour obtenir l'écran « READ FROM MEMORY » (lire à partir de la mémoire) et appuyez sur « DOWN↓ » pour atteindre l'écran « ERASE ALL » (effacer tout). Appuyez ensuite sur « DOWN↓ » ou « UP↑ » pour choisir entre Oui et Non. Appuyez sur « ON » pour enregistrer votre sélection. Un écran « SURE? » va apparaître, appuyez sur « ON » pour confirmer ou voir d'autres options.

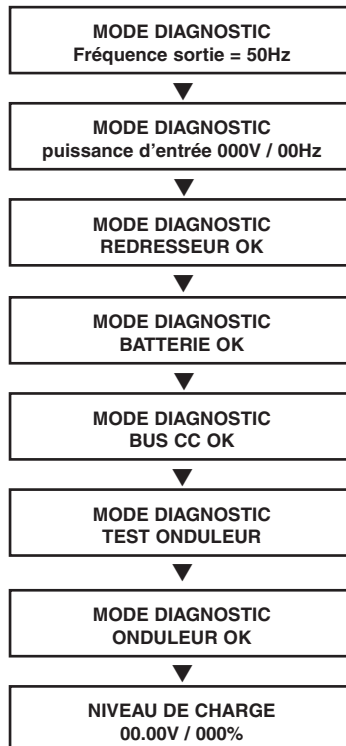


Informations relatives à l'autodiagnostic

Lorsque vous démarrez avec un courant CA, vous verrez apparaître la séquence suivante :

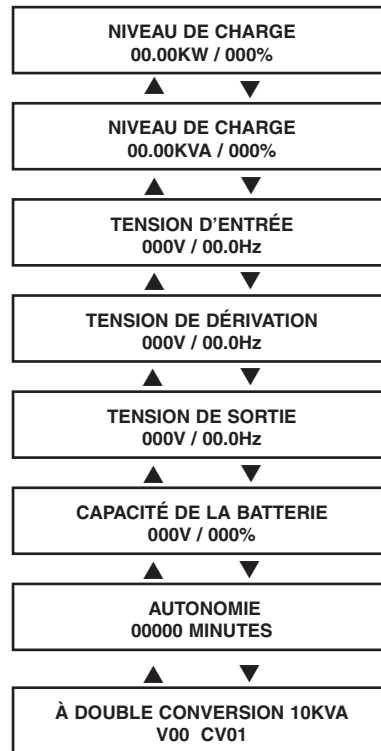


Lorsque vous démarrez en utilisant l'alimentation de la batterie, vous verrez apparaître la séquence suivante :

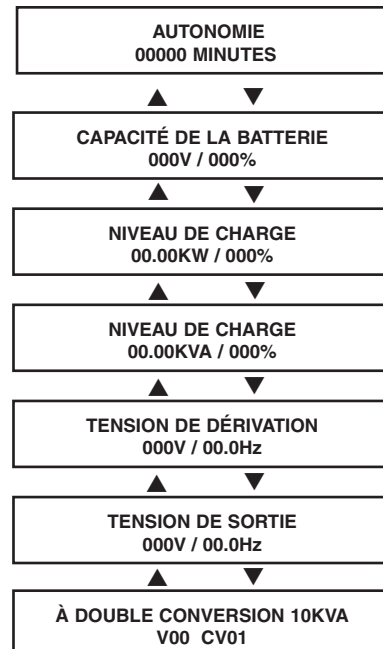


Informations affichage – mode à double conversion

Lorsque vous êtes en Mode à double conversion en présence d'un courant CA, vous verrez s'afficher les éléments suivants :



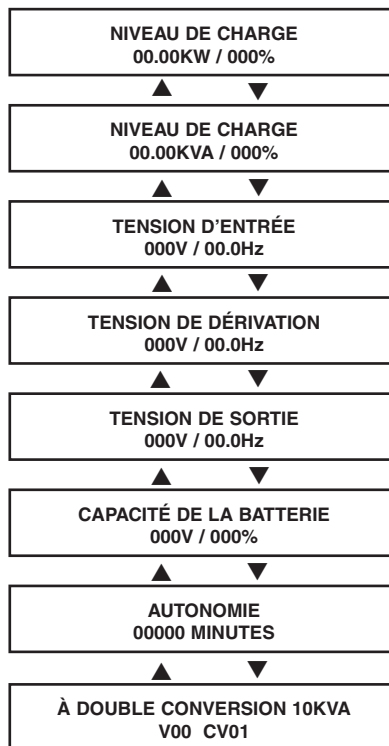
Lorsque vous êtes en Mode à double conversion en utilisant l'alimentation de la batterie, vous verrez apparaître la séquence suivante :



Utilisation

Informations affichage – Mode dérivation

Lorsque vous êtes en Mode dérivation, vous verrez apparaître la séquence suivante :



Messages d'arrêt de l'UPS pour défaillance

CONDITION	MESSAGES de l'affichage LCD
+BUS >450V	+ arrêt en cas de tension trop élevée dU BUS CC
Charge <100%: +BUS <320V Charge >100%: +BUS <290V	+ arrêt en cas de tension trop basse du BUS cc
-BUS >450V	- arrêt en cas de tension trop élevée dU BUS CC
Charge <100%: -BUS <320V Charge >100%: -BUS <290V	- arrêt en cas de tension trop basse du BUS cc
Tension du BUS supérieure à 500	arrêt en cas de défaillance de protection contre les surtensions DU BUS
Puissance de sortie en position courte	arrêt en cas de puissance de sortie en position courte
Surchauffe de l'UPS	arrêt en cas de surchauffe
Défaillance en position ouverte du SCR (redresseur commandé au silicium) de sortie	arrêt en cas de défaillance DU SCR de sortie
Surcharge de la puissance de sortie	arrêt en cas de surcharge
SCR en dérivation en position courte	arrêt en cas de défaillance du SCR en dérivation
Défaillance du Redresseur de SCR d'entrée	arrêt en cas de défaillance du redresseur
Défaillance de la tension de sortie de l'onduleur	arrêt de l'onduleur
Fusible d'entrée en position ouverte	arrêt en cas de fusible I/P grillé
Fusible de sortie en position ouverte	arrêt en cas de fusible O/P grillé
Perte de l'ID parallèle	arrêt en cas de défaillance PARALLÈle

Utilisation

Alerte batterie

Lorsque vous êtes en mode batterie, le module d'alimentation de l'UPS fera un bip pour vous informer que l'alimentation de la batterie est utilisée pour approvisionner l'équipement raccordé. Si la capacité des batteries raccordées est supérieure à la moitié de son potentiel, l'alarme bipera toutes les deux secondes. Si la capacité des batteries raccordées est inférieure à la moitié de son potentiel, l'alarme bipera à chaque seconde. Si les batteries sont presque épuisées, le module d'alimentation de l'UPS bipera en permanence.

Pour éteindre l'alarme de la batterie, appuyez sur le bouton « ON/MUTE ».

Messages de surcharge

Lorsque l'UPS détecte une surcharge de sortie, vous verrez apparaître sur l'écran LCD :

SURCHARGE !
CHARGE = XXX% X.XXKW

L'UPS va mettre un compte à rebours en route. Si l'UPS demeure en surcharge à la fin du compte à rebours, il passera automatiquement en Mode dérivation pour protéger son onduleur. La durée du compte à rebours varie en fonction de la gravité de la surcharge :

Condition de surcharge	Durée du compte à rebours
106% - 125%	1 minute
126% - 150%	30 secondes
>150%	Immédiat

Messages dérivation

Lorsque vous êtes en Mode dérivation, l'UPS contrôle sa tension d'entrée et transmet cette puissance d'entrée à l'équipement raccordé. L'UPS ne sera pas en mesure de fournir une batterie de secours en Mode dérivation.

Si la tension de sortie dépasse la plage acceptable (entre 15% supérieur à et 20% inférieur à la valeur nominale), l'UPS affichera les paramètres sur l'écran LCD et cessera d'alimenter la charge. Si le niveau de puissance redevient acceptable, l'UPS réalimentera la charge et l'écran LCD indiquera que la tension de sortie était trop élevée ou trop faible à un moment donné, mais qu'elle est à présent équivalente à la valeur nominale.

Paramètres de la tension de dérivation	MESSAGES DE L'ÉCRAN LCD
>15% supérieur à la normale	dérivation hors tension XXXV / XX.X HZ
>20% inférieur à la normale	dérivation hors tension XXXV / XX.X HZ

Messages d'arrêt

Votre UPS va s'éteindre et l'écran LCD affichera un message s'il détecte l'un des paramètres suivants. Remarque : dans tous les cas, les DEL « Input » (entrée), « Output » (sortie) et « Bypass » (dérivation) seront allumées.

PARAMÈTRES D'ARRÊT	MESSAGES DE L'ÉCRAN LCD
Surcharge prolongée	CESSER surcharge XXX%
Court-circuit de sortie	CESSER court-circuit O/P
Commande d'arrêt à distance (Via DB9)	CESSER commande à distance
Commande d'arrêt à distance (Via EPO)	CESSER arrêt d'urgence STOP !
Défaillances internes	CESSER arrêt + BUS CC trop élevée
	CESSER arrêt + BUS CC trop faible
	CESSER arrêt - BUS CC trop élevée
	CESSER arrêt - BUS CC trop faible
	CESSER surchauffe

Stockage et entretien

Stockage

Avant de stocker votre UPS, éteignez-le complètement. Si vous stockez votre UPS pendant une période prolongée, rechargez les batteries de l'UPS pendant 4 à 6 heures une fois tous les trois mois. Remarque : lorsque vous raccordez l'UPS à un courant de service, il commencera automatiquement à charger les batteries. Si vous laissez les batteries de votre UPS déchargées pendant une période prolongée, elles perdront leur capacité de manière permanente.

Réparations

Votre produit Tripp Lite est couvert par la garantie décrite dans le présent manuel. Tripp Lite propose également un éventail de formules de garanties prolongées et de programmes de réparation sur place. Pour plus d'informations sur les réparations possibles, rendez-vous sur www.tripplite.com/support. Avant de renvoyer votre produit pour le faire réparer, suivez les démarches suivantes :

1. Revoyez les procédures d'installation et d'utilisation du présent manuel pour vous assurer que le problème n'est pas survenu en raison d'une mauvaise lecture des consignes.
2. Si le problème persiste, inutile de contacter votre revendeur ou de lui renvoyer le produit, adressez-vous directement à Tripp Lite via notre site Internet www.tripplite.com/support.
3. Si des réparations sont nécessaires, allez sur notre site Internet à l'adresse www.tripplite.com/support et cliquez sur le lien « Product Returns » (retours produits). Vous pourrez alors faire la demande d'un numéro ARM (formulaire d'Autorisation de retour de marchandises), qui est nécessaire pour effectuer les réparations. Ce formulaire en ligne vous demandera simplement le modèle de votre produit et les numéros de série, ainsi que d'autres renseignements généraux sur l'acheteur. Le numéro ARM vous sera envoyé par e-mail accompagné des consignes de livraison. Toute avarie (directe, indirecte, spéciale ou consécutive) sur le produit encourue durant le transport à destination de Tripp Lite ou d'un centre de réparation autorisé par Tripp Lite n'est pas couverte par la garantie. Les produits envoyés à Tripp Lite ou à un centre de réparation autorisé par Tripp Lite doivent être affranchis à l'avance. Indiquez le numéro ARM sur le colis. Si le produit est renvoyé durant la période de garantie, veuillez joindre une copie de votre reçu. Tout renvoi à des fins de réparation doit être effectué par l'intermédiaire d'un transporteur assuré à l'adresse indiquée dans les consignes de livraison susmentionnées.

Garantie

Garantie limitée de 2 ans

TRIPP LITE garantie que ses produits, notamment les batteries, sont libres de tout défaut de matériau ou de main d'œuvre. Cette garantie est valable pendant deux ans à compter de la date de l'achat initial. Dans un délai de 90 jours à compter de la date d'achat, l'obligation de TRIPP LITE en vertu de la présente garantie est limitée aux pièces de rechange sur lesdits produits défectueux. Afin de faire valoir votre garantie à des fins de réparation, vous devez contacter TRIPP LITE ou un centre de réparation autorisé par TRIPP LITE. Les produits doivent être renvoyés à TRIPP LITE ou au centre de réparation autorisé par TRIPP LITE, dans un colis affranchi à l'avance, et doivent être accompagnés d'une brève description du problème rencontré, ainsi que du justificatif d'achat (sur lequel figurent la date et le lieu). La présente garantie ne s'applique pas aux équipements ayant été endommagés par accident, négligence ou mauvaise utilisation, ou ayant été modifiés de quelque sorte que ce soit. La présente garantie s'applique uniquement à l'acheteur original ayant enregistré son produit dans un délai de 10 jours à compter de la date d'achat.

Les garanties afférant à tous limiteurs de surtension TRIPP LITE sont nulles et non avenues dès lors que ceux-ci ont été raccordés à la puissance de sortie de tous systèmes UPS. Les garanties afférant à tous Systèmes UPS TRIPP LITE sont nulles et non avenues dès lors qu'un limiteur de surtension a été raccordé à ses prises. Sauf disposition expresse contraire prévue aux présentes, TRIPP LITE n'offre aucune garantie, EXPRESSE ou tacite, notamment aucune garantie de qualité marchande et compatibilité à aucune fin particulière. Certains états n'autorisent pas la limitation ou l'exclusion des garanties tacites ; par conséquent, il se peut que les limitation(s) ou exclusion(s) susmentionnées ne s'appliquent pas à l'acheteur.

sous réserve de ce qui précède, en aucun cas TRIPP LITE ne saurait être tenu responsable en cas de dommages DIRECTS, INDIRECTS, SPÉCIAUX, accessoires ou CONSÉCUTIFS du fait de l'utilisation du présent produit, y compris lorsque l'éventualité d'un tel dommage est connue. Plus particulièrement, TRIPP LITE décline toute responsabilité quant à tous coûts, notamment les pertes de bénéfices ou de recettes, perte d'un équipement, perte fonctionnelle d'un équipement, perte d'un logiciel, perte de données, coûts du produit de remplacement, réclamations de tiers ou autre.

Numéros d'identification de conformité aux règlements

À des fins de certification et d'identification de conformité aux règlements, votre produit Tripp Lite a reçu un numéro de série unique. Ce numéro se retrouve sur la plaque signalétique du produit, avec les inscriptions et informations d'approbation requises. Lors d'une demande d'information de conformité pour ce produit, utilisez toujours le numéro de série. Il ne doit pas être confondu avec le nom de la marque ou le numéro de modèle du produit.

L'information de conformité WEEE pour les clients de Tripp Lite et recycleurs (Union européenne)

Sous les directives et règlements de déchet d'équipements électrique et électronique (Waste Electrical and Electronic Equipment, WEEE), lorsque les clients achètent le matériel électrique et électronique neuf de Tripp Lite ils sont autorisés à :

- Envoyer le vieux matériel pour le recyclage sur une base de un-contre-un et en nature (ceci varie selon le pays)
- Renvoyer le matériel neuf pour recyclage quand ceci devient éventuellement un rebut

La politique de Tripp Lite est celle d'une amélioration continue. Les spécifications peuvent être modifiées sans préavis.



1111 W. 35th Street, Chicago, IL 60609 USA
www.tripplite.com/support

Руководство пользователя

Однофазные ИБП SmartOnline™ 8 кВА—10 кВА

Интеллектуальные интерактивные системы ИБП
(в стоечном/вертикальном исполнении)

- В комплект входит силовой модуль, блок внешней батареи и блок PDU
- Съемный блок PDU оснащен розетками и переключателем обходной цепи*
- Возможность монтажа в стойку или вертикальной установки

*Доступен дополнительный съемный блок PDU с проводным подключением; для получения подробной информации свяжитесь с компанией Tripp Lite.

Подходит только для стационарных установок.

Важные меры предосторожности	80
Монтаж	81
Свойства	82
Подключение	84
Дополнительные подключения	86
Работа в обход	87
Технические характеристики	89
Эксплуатация	90
Хранение и обслуживание	104
Гарантийные обязательства	104
English	1
Español	27
Français	53



1111 W. 35th Street, Chicago, IL 60609 USA
www.tripplite.com/support

Copyright © 2011 Tripp Lite. Все права защищены. SmartOnline является торговой маркой компании Tripp Lite.



СОХРАНИТЕ ЭТИ ПРАВИЛА. В данном руководстве содержатся важные инструкции и меры предосторожности, которые следует соблюдать во время установки и обслуживания всех систем ИБП Tripp Lite серии SmartOnline в стоечном/вертикальном исполнении и их батарей. Несоблюдение этих правил может повлиять на гарантию.

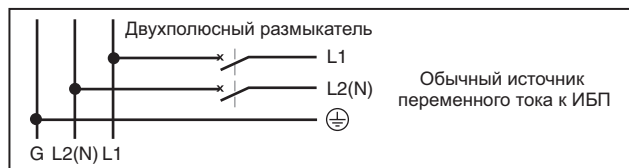
Правила безопасности при выборе места установки ИБП

- Система ИБП устанавливается в сухом помещении, которое не содержит токопроводящих веществ и пыли, вдали от источников тепла и вне зоны воздействия прямых солнечных лучей.
- ИБП должен устанавливаться в конструктивно надежном месте. ИБП имеет очень большую массу; соблюдайте осторожность при перемещении и подъеме устройства.
- Эксплуатация ИБП разрешается только в помещениях с температурой от 0 до 40°C. Лучше всего, если температура будет поддерживаться в пределах от 17 до 29°C.
- Нужно обеспечить свободное пространство вокруг ИБП, достаточное для обеспечения нормальной вентиляции.
- Не устанавливайте ИБП в непосредственной близости от магнитных устройств хранения, поскольку это может привести к порче данных.
- **Не монтируйте аппарат таким образом, чтобы его передняя или задняя панель были обращены вниз (под любым углом). Несоблюдение этого требования серьезно нарушит внутреннее охлаждение аппарата, что в конце концов приведет к его повреждению, на которое не распространяется гарантия.**

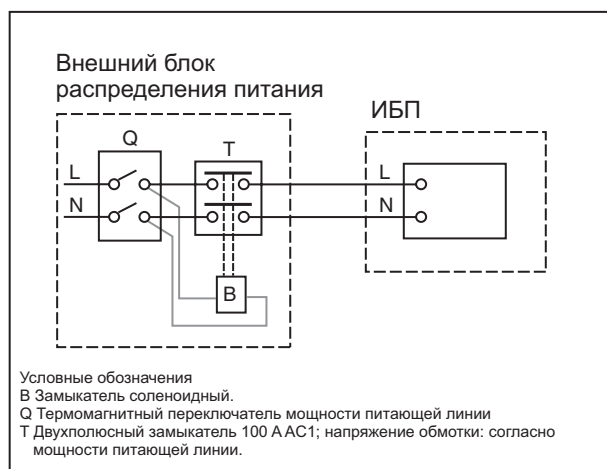
Правила безопасности при подключении ИБП

- Изолировать ИБП перед началом работы в данной цепи.
- Обязательные предохранительные устройства и сечения кабеля. Рекомендуемая защита входной цепи.

Номинальная мощность ИБП	Размыкатель входной цепи
8kVA	D Кривая -63A
10kVA	D Кривая -83A



- Источник электропитания для этого устройства должен быть однофазный, а его номинал согласуется с данными на заводской табличке оборудования. Он также должен быть соответствующим образом заземлен.



Условные обозначения
 B Замыкатель соленоидный.
 Q Термамагнитный переключатель мощности питающей линии
 T Двухполюсный замыкатель 100 А С1; напряжение обмотки: согласно мощности питающей линии.

Примечание: Q обязательно использование одобренного компонента Сертификации на соответствие требованиям безопасности.

Правила безопасности при подключении оборудования

- Не рекомендуется использовать данное оборудование в системах жизнеобеспечения в тех случаях, когда его сбой с большой вероятностью приведет к сбою оборудования жизнеобеспечения или значительному снижению его безопасности или эффективности. Запрещается использовать данное оборудование при наличии воспламеняющихся смесей анестетических газов с воздухом, кислородом или закисью азота.
- Подключить провод заземляющего электрода к клемме заземления силового модуля ИБП.
- ИБП подключен к источнику постоянного тока (батарея). Выходные клеммы могут быть под напряжением, когда ИБП не подключен к источнику переменного напряжения.

Меры предосторожности при обслуживании

- Силовой модуль и блок(и) батарей ИБП не требуют текущего технического обслуживания. Ни по каким причинам не открывайте их. Они не содержат частей, требующих обслуживания пользователем.

Правила безопасности при обращении с батареями

- Не эксплуатируйте ИБП без подключения его к блоку внешней батареи.
- К разъему внешних батарей ИБП можно подключать только блоки батарей производства компании Tripp Lite.
- Батареи могут представлять угрозу электрического удара и возгорания от большого тока при коротком замыкании. Следует соблюдать определенные меры предосторожности. Не бросать батареи в огонь. Не открывать ИБП или батареи. Не замыкать и не соединять клеммы батареи никакими предметами. Перед заменой батареи отключать и отсоединять ИБП от сети и нагрузки. Использовать инструмент с изолированными рукоятками. В ИБП не содержатся части, требующие обслуживания пользователем. Замена батарей должна выполняться только уполномоченным специалистом с использованием батарей того же типа и в том же количестве (герметизированная свинцово-кислотная батарея). Батареи подлежат переработке для использования вторичного сырья. Требования по утилизации описаны в местном законодательстве, а в США достаточно позвонить 1-800-SAV-LEAD или 1-800-8-BATTERY (1-800-822-8837) или посетить веб-сайт www.rbrc.com для получения информации по утилизации. Компания Tripp Lite предоставляет полную линейку сменных блоков батарей для систем ИБП. Для поиска конкретной сменной батареи для своего ИБП посетите веб-сайт компании Tripp Lite по адресу www.tripplite.com/support/battery/index.cfm.
- Не открывать и не разбивать батареи. Вытекший электролит опасен для кожи и глаз, он может быть токсичен.
- Замену предохранителей должен выполнять только уполномоченный производителем персонал. Перегоревшие предохранители нужно заменять предохранителями того же типа и номинала.
- Обслуживание и ремонт должны выполняться только обученным персоналом. Во время работ по обслуживанию ИБП он должен быть выключен или переведен в режим обходной цепи через трансформатор. Обратите внимание, что внутри этого устройства могут существовать потенциально смертельные напряжения все время, когда устройство подключено к батарее.
- Не подключать и не отключать блок(и) батарей во время работы ИБП от батарей, или когда съемный блок PDU не находится в режиме обходной цепи.
- Во время «горячей» замены блока батарей ИБП не сможет обеспечивать работу от батарей в случае отключения электроэнергии.
- Можно подключать только совместимый блок(и) батарей.

Монтаж (стойка)

Монтаж оборудования производится в стойку или шкаф с креплением на 4 или на 2 точки. Пользователь должен самостоятельно определить пригодность принадлежностей и процедур до начала монтажа. Если принадлежности и процедуры не подходят для вашего приложения, за решением нужно обратиться к производителю стойки или стоечного шкафа. Описанные в данном руководстве инструкции предназначены для общепринятых типов стоек и стоечных шкафов, поэтому могут не подходить для некоторых типов монтажа.

Примечание: Силовой модуль и блок батарей должны устанавливаться на отдельных полках.

Монтаж на 4 точки

1 Входящие в комплект пластмассовые штифты **A** будут временно удерживать направляющие **B** до установки постоянных креплений. Вставить по одному штифту около центра переднего и заднего кронштейна каждой полки, как показано. (Каждый передний кронштейн имеет 6 отверстий, а задний — 3 отверстия.) Штифты защелкнутся на месте.

После установки штифтов выдвинуть каждую полку до совпадения с вертикальными опорами вашей стойки. Штифты пройдут через квадратные отверстия в опорах стойки и примут на себя вес полок. Сравнить метки положения на стойках, чтобы убедиться, что полки выровнены по всем направлениям. **Примечание:** Несущий выступ каждой полки должен быть обращен внутрь стойки.

2 Привинтить полки **B** к монтажной направляющей постоянно, как показано, используя винты из комплекта и шайбы **C**.

- Для монтажа оборудования высотой 2U требуется всего 4 винта спереди и 4 винта сзади.
- Для монтажа оборудования высотой 3U требуется всего 6 винтов спереди и 4 винта сзади.

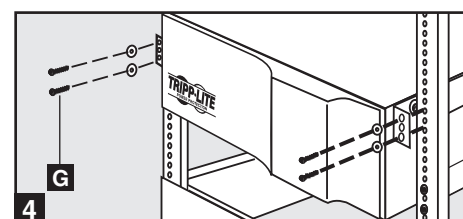
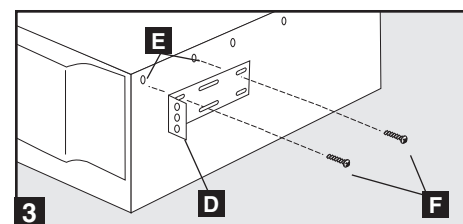
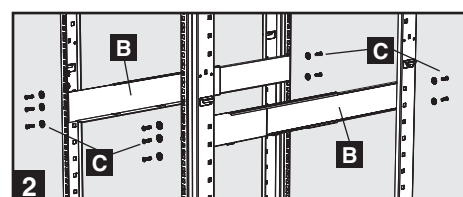
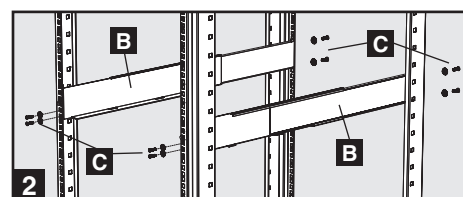
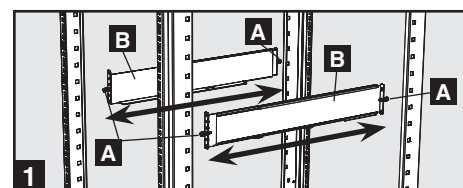
Перед продолжением работы затянуть все винты.

Предупреждение: Не пытайтесь устанавливать оборудование до того, как будут вставлены и затянуты необходимые винты. Пластмассовые штифты не способны выдержать вес оборудования.

3 Присоединить монтажные проушины **D** к передним монтажным отверстиям вашего оборудования **E**, используя винты **F** из комплекта. Прουшины должны быть обращены вперед.

4 Вдвоем с помощником поднять оборудование и задвинуть на несущие полки. Привинтить оборудование к стойке с помощью винтов, шайб и гаек **G** (предоставляются пользователем), пропустив винты через монтажные проушины и направляющие стойки.

5 (Дополнительно) Присоединить 2 монтажных кронштейна блока PDU к правой задней стойке с помощью винтов и специальных гаек из комплекта. Внимание: место крепления монтажных кронштейнов блока PDU будет зависеть от конфигурации оборудования в стойке. Обычно рекомендуется крепить верхний кронштейн на нижних два квадратных отверстия того монтажного места, в котором устанавливаются ИБП и блок PDU. Второй кронштейн должен устанавливаться на 3U ниже и занимать два верхних квадратных отверстия места U. (Например: если блок PDU и ИБП UPS монтируются в месте 7U, первый кронштейн будет установлен на нижних два квадратных отверстия места 7U. Второй кронштейн должен быть установлен на верхних два квадратных отверстия места 4U.)



Монтаж на 2 точки (опционально)

Для монтажа оборудования в стойку на 2 точки нужно заказать монтажный комплект Tripp Lite для монтажа на 2 точки (модель 2POSTRMKITWM, приобретается отдельно) для каждого устанавливаемого модуля. Полные инструкции по монтажу приведены в руководстве к монтажному комплекту.

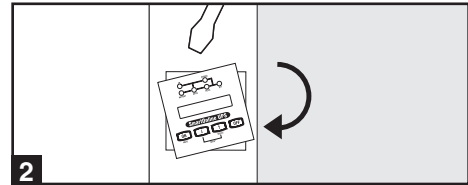
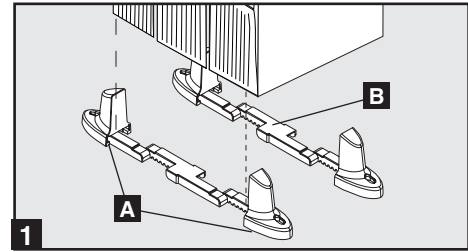
Монтаж (вертикальный)

Смонтировать все модули вертикально, используя опоры из комплекта. Пользователь должен самостоятельно определить пригодность принадлежностей и процедуру до начала монтажа.

1 Система ИБП поставляется с двумя наборами пластиковых опор **A** и расширителей **B**, которые могут применяться для вертикальной установки силового модуля ИБП, блока батарей и второго блока батарей (всего 9U).

Отрегулировать опоры на ширину 10,25 дюйма (26 см) для размещения силового модуля ИБП и блока батарей, или на ширину 15,375 дюйма (39 см) для трех блоков. Выставить опоры в месте установки на расстоянии примерно 10 дюймов (26 см) друг от друга. С помощью одного или нескольких помощников поместить блоки на свои места на опорах. Панель управления ИБП должна находиться в верхнем углу ИБП и быть направлена наружу.

2 Повернуть панель управления силового модуля, чтобы она была хорошо видна при вертикальной установке ИБП. Вставить тонкую отвертку или другой инструмент в проемы по бокам панели управления. Выдвинуть панель, повернуть ее и вставить обратно на место.

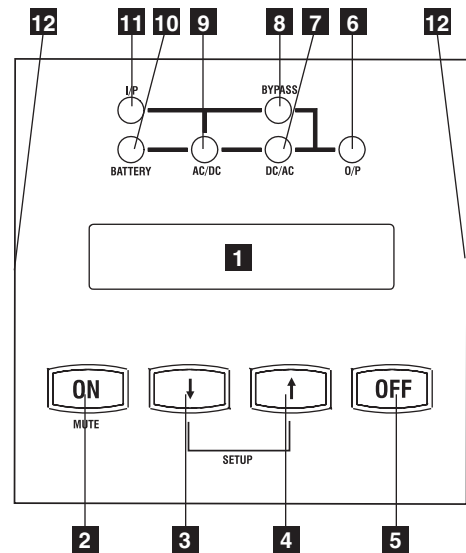


Свойства

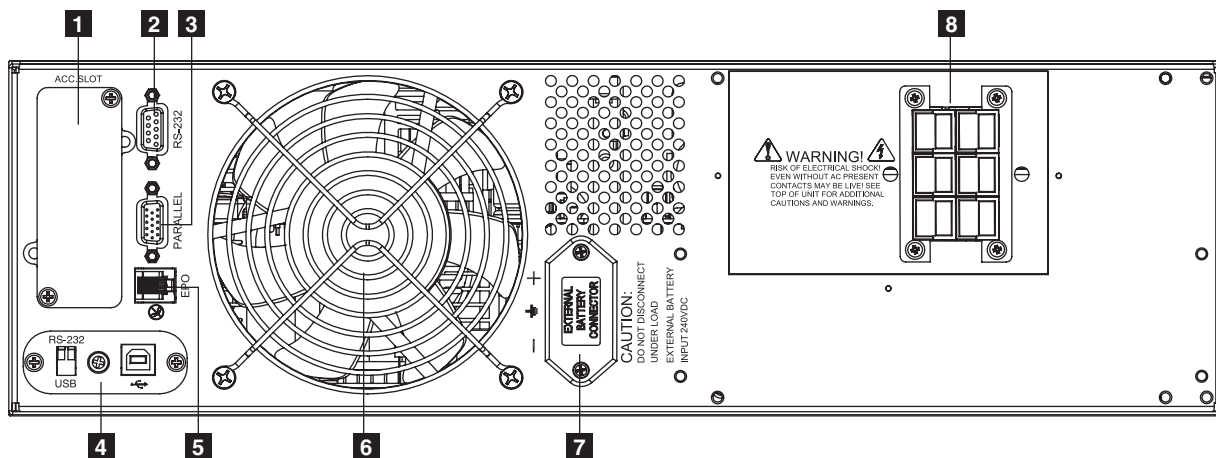
Перед установкой и началом эксплуатации ИБП нужно ознакомиться с расположением и работой каждого из компонентов.

Органы управления на передней панели силового модуля

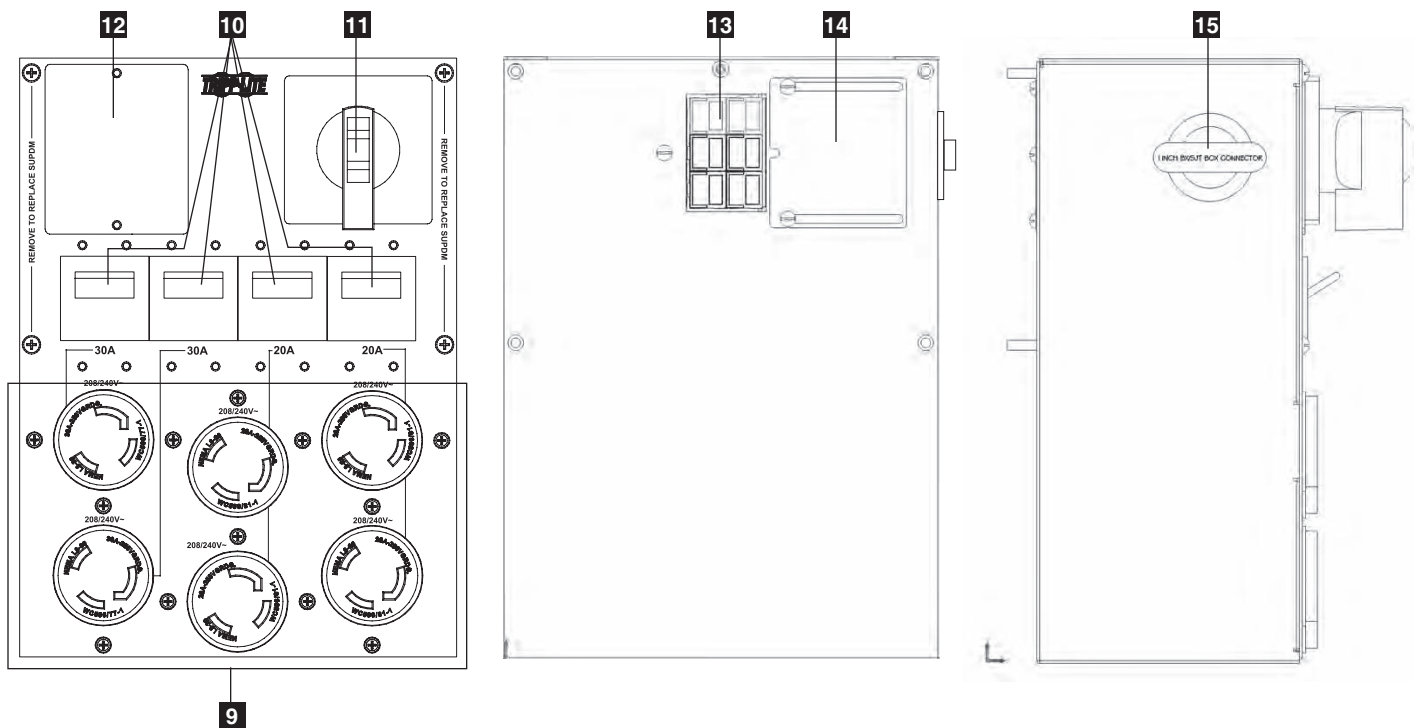
- 1** ЖК дисплей: Этот матричный дисплей с подсветкой (2 строки по 16 символов) предназначен для индикации обширного перечня рабочих состояний ИБП и диагностических данных. На нем также отображаются настройки и опции ИБП, когда устройство находится в режиме настройки.
- 2** Кнопка ON/MUTE (включить прибор/убрать звук): Чтобы включить преобразователь ИБП, нажать эту кнопку и удерживать ее, пока не прозвучит звуковой сигнал. Если во время работы звучит сигнал разряда батареи, нажать кнопку для отключения этого сигнала.
- 3** Кнопка SCROLL DOWN/EXIT SETUP (пролистывание вниз/выход из настройки): Эта кнопка позволяет пролистывать различные опции и данные о состоянии питания на ЖК дисплее. При коротком нажатии этой кнопки происходит смена информации на ЖК дисплее (см. раздел «Эксплуатация» на стр. 90). При одновременном нажатии этой кнопки и кнопки SCROLL UP (пролистывание вверх) ИБП переходит в режим настройки, где эта кнопка применяется для пролистывания опций настройки и выхода из режима настройки.
- 4** Кнопка SCROLL UP/SELECT BUTTON (пролистывание вверх/выбор): Эта кнопка позволяет пролистывать различные опции и данные о состоянии питания на ЖК дисплее. При коротком нажатии этой кнопки происходит смена информации на ЖК дисплее. При одновременном нажатии этой кнопки и кнопки SCROLL DOWN (пролистывание вниз) ИБП переходит в режим настройки, где эта кнопка применяется для выбора опций.
- 5** Кнопка OFF (выключить): Чтобы включить преобразователь ИБП, нажать эту кнопку и удерживать ее, пока не прозвучит звуковой сигнал.
- 6** Светодиод O/P (OUTPUT-выход): Этот зеленый светодиод включается, указывая, что ИБП подает питание на подключенное оборудование.
- 7** Светодиод DC/AC (инвертор): Этот зеленый светодиод будет светиться, указывая, что инвертор ИБП активен.
- 8** Светодиод «BYPASS» (обход): Этот зеленый светодиод будет светиться, когда ИБП обеспечивает передачу фильтрованного напряжения к нагрузке без использования своего преобразователя или инвертора. Если этот светодиод светится, подключенная нагрузка не будет получать питание от батарей в случае отключения электроэнергии, кроме случая, когда разрешен экономичный режим.
- 9** Светодиод AC/DC (преобразователь): Этот зеленый светодиод будет светиться, указывая, что преобразователь ИБП заряжает подключенный блок(и) батарей.
- 10** Светодиод BATTERY (батарея): Этот зеленый светодиод будет светиться, когда ИБП использует энергию батарей для питания подключенной нагрузки переменным напряжением. Будет звучать предупреждающий звуковой сигнал, который можно отключить нажатием кнопки ON/MUTE. Этот светодиод продолжает светиться и после отключения звукового сигнала.
- 11** Светодиод I/P (INPUT -вход): Этот зеленый светодиод будет светиться, указывая, что на входе есть переменное напряжение.
- 12** Разъемы для доступа: Чтобы повернуть панель управления, вставить плоскую отвертку в эти разъемы и осторожно вытащить панель. Также соблюдая осторожность, чтобы не сильно перекрутить и не порвать кабели, соединяющие панель управления со схемами ИБП, повернуть панель управления в нужное положение и установить ее на место.



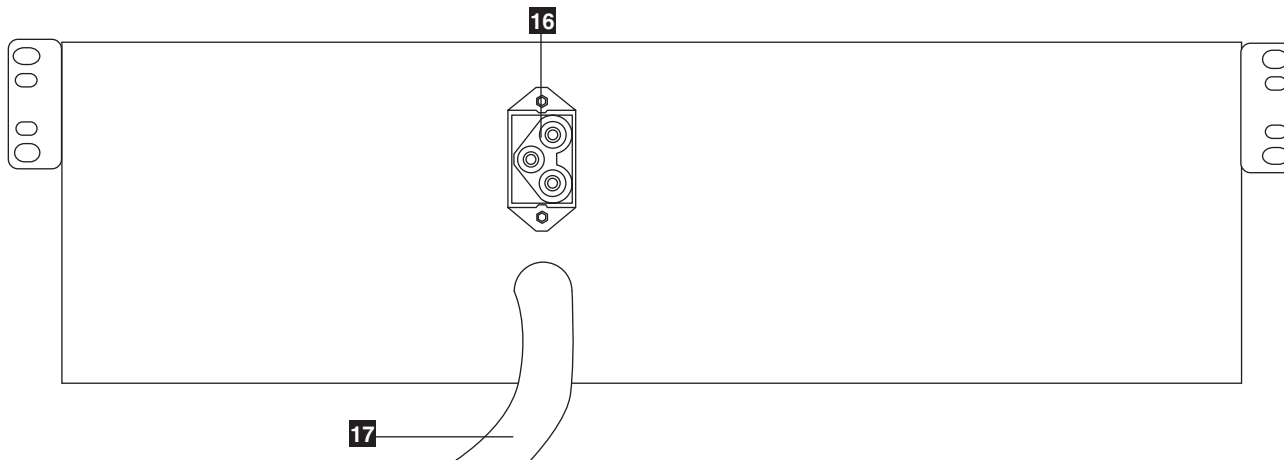
Силовой модуль 8 кВА/10 кВА



Съемный блок распределения питания



Блок аккумуляторных батарей



Свойства Элементы на задней панели

Силовой модуль. Описание элементов

- 1 Разъем для принадлежностей:** Снять небольшую крышку, чтобы установить дополнительные принадлежности, которые позволяют дистанционно управлять и контролировать систему ИБП. Чтобы узнать больше о доступных продуктах SNMP, управления по сети и коммутационных принадлежностях, которые можно установить в этот разъем, посетите веб-сайт компании Tripp Lite по адресу www.tripplite.com.
- 2 Порт связи RS-232:** Этот порт на разьеме DB9 может использоваться для подключения ИБП к рабочей станции или серверу. Для связи с подключенным компьютером используется протокол RS-232. Он используется с программным обеспечением Tripp Lite и последовательным кабелем из комплекта поставки для дистанционного контроля и управления системой ИБП по сети, что позволяет автоматически сохранять открытые файлы и выключать оборудование во время отключения электроэнергии. Подробная информация приведена в разделе «Дополнительные подключения». При необходимости, дополнительно доступна плата Contact-Closure (Tripp Lite элемент # RELAYIOCARD).
- 3 Разъем для параллельного подключения:** Для связи с параллельным ИБП.
- 4 Порт связи USB:** Порт USB может использоваться для подключения ИБП к рабочей станции или серверу. Он используется с программным обеспечением Tripp Lite и кабелем USB из комплекта поставки для дистанционного контроля и управления системой ИБП по сети, что позволяет автоматически сохранять открытые файлы и выключать оборудование во время отсутствия электроэнергии. Подробная информация приведена в разделе «Дополнительные подключения». Для связи по USB оба DIP-переключателя должны быть в положении ON. Этим самым отменяется использование порта RS-232.
- 5 Порт EPO (аварийное отключение питания):** Применяется для подключения силового модуля к релейному выключателю, чтобы выполнять аварийное отключение системы. Подробная информация приведена в разделе «Дополнительные подключения».
- 6 Вытяжной вентилятор:** Он охлаждает и вентилирует внутреннее пространство силового модуля.
- 7 Разъем подключения внешней батареи:** Используется для подключения к силовому модулю одного или нескольких блоков батарей Tripp Lite. Снять крышку для доступа. Силовой модуль не запустится без подключения заряженного блока батарей. С инструкциями по подключению и мерами предосторожности можно ознакомиться в руководстве по эксплуатации блока батарей.
- 8 Клеммный блок входа:** Эти клеммы используются для подключения силового модуля к съемному блоку PDU.

Съемный блок распределения питания. Описание элементов

- 9 Выходные розетки переменного напряжения:** Позволяют подключать оборудования с помощью вилок формата NEMA L6-30P или NEMA L6-20P.
- 10 Выходные автоматические выключатели:** Управление выходной мощностью на розетках блока PDU.
- 11 Переключатель обходной цепи:** Позволяет квалифицированному обслуживающему персоналу снимать блок PDU с силового модуля для текущего технического обслуживания без прекращения подачи электроэнергии к подключенной нагрузке. Когда этот переключатель в положении BYPASS, нагрузка будет получать нефильтованное переменное напряжение от сети и не сможет получать резервное питание от батарей в случае отключения электроэнергии. Более подробно процедуры переключения на обходную цепь описаны в разделе «Работа в обход». **Предупреждение! Только для квалифицированного обслуживающего персонала. Если не соблюдать полностью процедуру переключения на обходную цепь (см. «Работа в обход» на стр. 88), ИБП не будет правильно выключен, представляя угрозу получения серьезных травм или смертельного исхода от электрического удара высоким напряжением.**
- 12 Клеммный блок входа электросети:** Эти клеммы используются для подключения блока PDU к электросети. Чтобы получить доступ к клеммам, нужно отвинтить и снять крышку клеммного блока.
- 13 Клеммный блок входа силового модуля:** Эти клеммы используются для подключения блока PDU к силовому модулю.
- 14 Сдвигающаяся крышка для входных клемм силового модуля:** Сдвинуть эту крышку над клеммами после отсоединения блока PDU от силового модуля во время переключения на работу в обход (стр. 88).
- 15 Соединительный кабель входного клеммного блока:** Расположен на левой стороне блока PDU.

Блок батарей. Описание элементов

- 16 Входной разъем:** Этот разъем используется для каскадного подключения дополнительных блоков батарей к первому. Снять крышку для доступа. С инструкциями по подключению и мерами предосторожности можно ознакомиться в руководстве по эксплуатации блока батарей.
- 17 Выходной кабель:** Этот кабель используется для подключения блока батарей к силовому модулю или другому блоку батарей. Силовой модуль не запустится без подключения заряженного блока батарей. С инструкциями по подключению и мерами предосторожности можно ознакомиться в руководстве по эксплуатации блока батарей.

Подключение

Меры предосторожности при проводном подключении

- Проводные подключения должны выполняться квалифицированным электриком.
- При выполнении проводных подключений следует постоянно соблюдать нормативные документы по электротехническим работам, действующим в вашей местности, например, Правила устройства электроустановок (ПУЭ) в США. В обязательном порядке должен быть легко доступный разъединитель, чтобы можно было прервать подачу электроэнергии к ИБП при возгорании и других аварийных ситуациях. Кабели должны быть оснащены кабельными наконечниками и закреплены разъемами с защелками. Зажимать соединения с крутящим моментом не менее 2,7-3,2 Нм.
- Проверить надежность заземления оборудования.
- Использование кабелей неправильного сечения может привести к повреждению оборудования и стать причиной возгорания. Для выполнения кабельных подключений выбрать правильные кабели и защитные устройства. Проводники заземления должны быть того же сечения и типа, что и силовые.
- Для выбора правильного сечения проводов и выходного защитного оборудования обратитесь к Правилам устройства электроустановок.

Входные и входные номиналы				
Модель	Входное напряжение	Максимальный входной ток	Максимальный выходной ток	Обычное сечение провода
8kVA	208~240V (L - N)	46 А	40 А	8mm ² =8 AWG
10kVA	208- 240V (L- N)	56 А	50 А	8mm ² =8 AWG

Подключение

Соединение блоков друг с другом и подключение к сети электропитания и оборудованию

1 Подключить блок PDU к силовому модулю и блоку батарей.

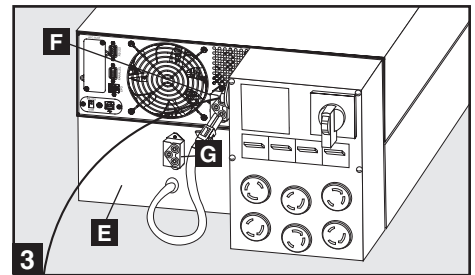
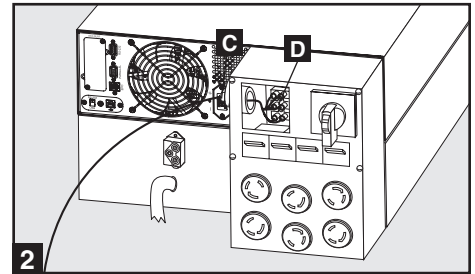
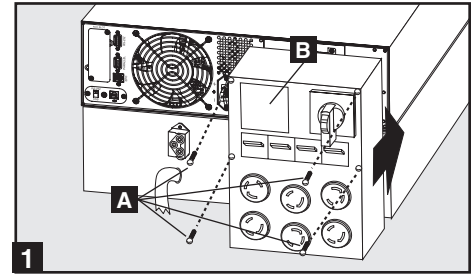
Сопоставить и соединить входные силовые клеммы блока PDU с клеммами на задней стороне силового модуля. Закрепить блок PDU к силовому модулю четырьмя винтами **A**. Перед тем, как продолжить, проверить, что переключатель обходной цепи находится в положении NORMAL. Снять крышку **B** клеммного блока входа сети.

2 Проводное подключение блока PDU к сети электроснабжения.

Пропустить кабель (предоставляется пользователем) через проштампованное отверстие **C** на левой стороне блока PDU и подключить его к входным клеммам **D** блока PDU. Вернуть крышку клеммного блока на место. Подключить другой конец кабеля к сети электроснабжения.

3 Подключить блок батарей к силовому модулю.

Свериться с руководством пользователя, которое поставляется с блоком батарей. Полностью вставить разъем на конце кабеля **E** от блока батарей в разъем **F** на задней панели силового модуля. Возможно небольшое искрение: это нормально. Примечание: в силовом модуле нет внутренних батарей и он не сможет запуститься без подключения блока батарей. Блоки батарей перед отгрузкой полностью заряжены. Тем не менее, чтобы добиться полной емкости для резервного питания (особенно, если блок батарей длительное время находился на хранении) после подключения системы ИБП к источнику электроэнергии, нужно дать блоку батарей зарядиться в течение 12 часов. После начала использования системы ИБП она будет автоматически заряжать батареи и поддерживать уровень заряда. При необходимости можно подключить дополнительные блоки батарей в цепочку. Для этого кабель каждого нового блока нужно соединить с разъемом **G** предыдущего блока.



Контакты на силовом модуле/блоке батарей Предупреждение! Высокое напряжение!

Угроза электрического удара!
За счет наличия внутренних батарей высокого напряжения, даже при отсутствии подачи электроэнергии от сети, эти контакты находятся под напряжением! Не позволяйте этим контактам касаться посторонних предметов!

Контакты на съемном блоке PDU Предупреждение! Высокое напряжение!

Угроза электрического удара!
Если присутствует напряжение сети и переключатель обходной цепи установлен в положение «Bypass», эти контакты находятся под напряжением! Не позволяйте этим контактам касаться посторонних предметов!

4 Включение ИБП

Примечание: Система ИБП будет исправно работать сразу же после первого запуска, однако максимальное время работы батареи, будет доступно только после зарядки батареи в течение 24 часов.

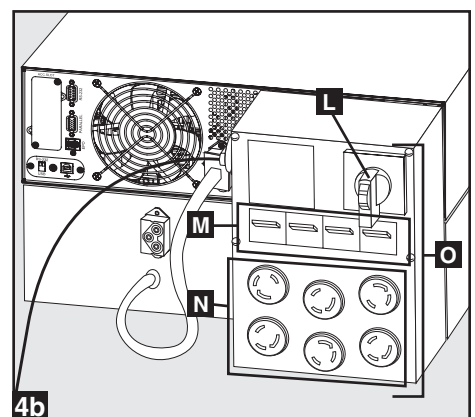
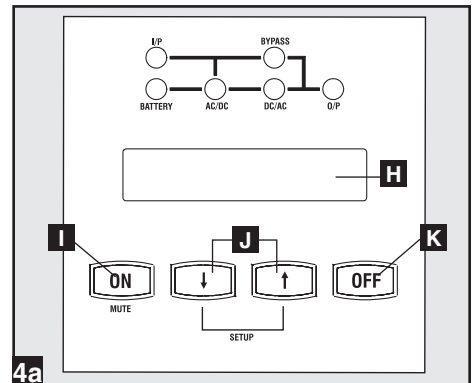
1. На источнике электроэнергии включить автоматический выключатель для системы ИБП. При этом будет подано электропитание на силовой модуль ИБП и на ЖК дисплей **H** панели управления появится надпись «BYPASS MODE».
2. Убедиться, что переключатель **L** обходной цепи блока PDU находится в положении «NORMAL».
3. Включить автоматические выключатели **M** выходных цепей блока PDU.
4. Сконфигурировать систему ИБП в режиме настройки (SETUP MODE). Для перехода в режим настройки одновременно нажать обе кнопки пролистывания **J**.
5. Пролить опции настройки (в помощью кнопок пролистывания **J**) и нажать кнопку «SELECT» (выбор) **I** для выбора соответствующих настроек:

Входное и выходное напряжение: Выбрать 200, 208, 220, 230 или 240 В.

Выходная частота: Система ИБП автоматически выберет 50 или 60 Гц в соответствии с частотой входного напряжения.

Экономичный режим: Система ИБП может обеспечивать интерактивный режим работы с нулевым временем переключения. Она также может работать в более экономичном по расходу электроэнергии режиме, который называется линейно-интерактивным. Для линейно-интерактивного режима выбрать опцию «ECONOMY ON». Для интерактивного режима выбрать опцию «ECONOMY OFF».

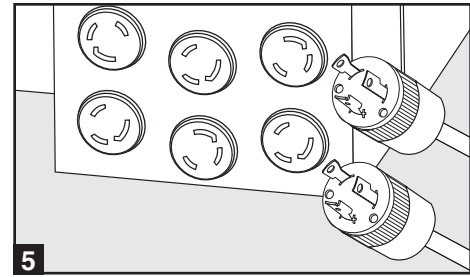
6. После конфигурирования опций выйти из режима настройки, нажав кнопку прокрутки **J**.
7. Нажать и удерживать на панели управления кнопку «ON» **I**, пока не прозвучит звуковой сигнал, затем отпустить кнопку.
8. Система ИБП выполнит короткую процедуру самотестирования и покажет результаты светодиодами и на ЖК-дисплее **H** панели управления. Последовательность отображения описана в пункте «Самотестирование при запуске» в разделе «Эксплуатация».
9. После завершения самотестирования на ЖК дисплее **H** должно появиться сообщение «ONLINE MODE» или «ECONOMY MODE» в зависимости от того, какой режим был выбран. Теперь система ИБП включена.



Подключение

5 Подключение оборудования к розеткам блока PDU

Система ИБП предназначена для питания только электронного оборудования. Если общая потребляемая мощность подключенного оборудования превышает нагрузочную способность ИБП, это приведет к его перегрузке. К выходу ИБП нельзя подключать бытовые приборы или лазерные принтеры. Мощность оборудования нанесена на его заводской табличке. Если для оборудования указан ток, следует перемножить число ампер на входное напряжение в вольтах (240 В или 208 В), чтобы определить мощность в ВА. (Например: 1 А x 120 В = 120 ВА).



6 Выключение ИБП (опционально)

1. Нажать и удерживать на панели управления кнопку «OFF» **К**, пока не прозвучит звуковой сигнал, затем отпустить кнопку. На ЖК дисплее **Н** будет показано сообщение «BYPASS MODE». Теперь инвертор выключен, но система ИБП не отключена полностью и подает питание на нагрузку.
2. Перевести автоматические выключатели **М**, расположенные на съемном блоке PDU, в выключенное положение. Нагрузка больше не будет получать электропитание и ЖК дисплей **Н** будет погашен.
3. На источнике электроэнергии выключить автоматический выключатель для системы ИБП. Система ИБП теперь будет выключена и ЖК дисплей **Н** будет погашен.

7 «Холодный» запуск ИБП (опционально)

Во время отключения электроэнергии или других отказов в подаче электропитания система ИБП может быть запущена «холодным» способом от батареи. (Батарея должна быть как минимум частично заряжена). **Примечание: При работе от батарей настройки выхода системы ИБП не могут быть сконфигурированы. Будут использованы ранее сконфигурированные настройки выхода.**

1. Убедиться, что переключатель **Л** обходной цепи блока PDU находится в положении «NORMAL».
2. Включить автоматические выключатели **М** выходных цепей блока PDU.
3. Нажать и удерживать на панели управления кнопку «ON» **П**, пока не прозвучит звуковой сигнал, затем отпустить кнопку. Инвертер системы ИБП начнет работать. **Примечание: Некоторые электронные приборы при запуске потребляют больший ток. При запуске от батареи рекомендуется снизить начальную нагрузку.**
4. Система ИБП выполнит короткую процедуру самотестирования и покажет результаты светодиодами и на ЖК-дисплее **Н** панели управления. Последовательность отображения описана в пункте «Самотестирование при запуске» в разделе «Эксплуатация».
5. После завершения самотестирования на ЖК дисплее **Н** должно появиться сообщение «ON BATTERY MODE» (режим работы от батарей) и должен звучать звуковой сигнал.
6. Теперь система ИБП будет обеспечивать питание подключенного оборудования до наступления разряда батареи.

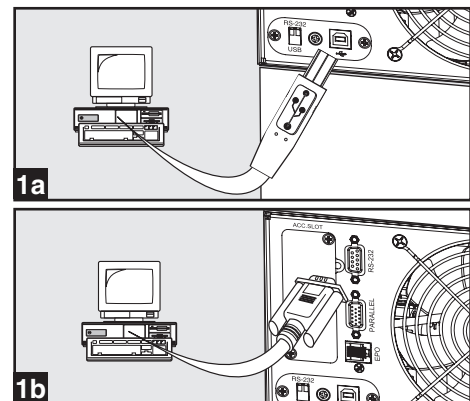
Дополнительные подключения

Следующие подключения являются опциональными. Система ИБП будет нормально работать даже без этих подключений.

1 Подключение порта связи USB и последовательного порта RS-232

С помощью комплектных USB кабеля **1a** и/или последовательного кабеля RS-232 с разъемом DB9 **1b** подключить порт связи компьютера к порту связи ИБП. Установить на компьютере программное обеспечение Tripp Lite PowerAlert соответственно используемой операционной системе. Более подробная информация приведена в руководстве по программному обеспечению PowerAlert.

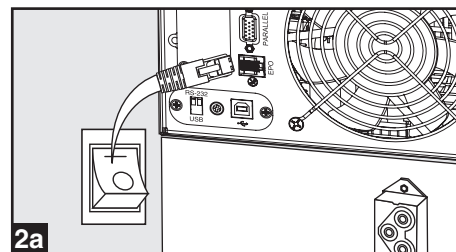
Замечание по использованию порта связи USB: Порт USB может использоваться для подключения ИБП к рабочей станции или серверу. Он используется с программным обеспечением Tripp Lite и кабелем USB из комплекта поставки для дистанционного контроля и управления системой ИБП по сети, что позволяет автоматически сохранять открытые файлы и выключать оборудование во время отключения электроэнергии. Подробная информация приведена в разделе «Дополнительные подключения». Для связи по USB оба DIP-переключателя должны быть в положении ON. Этим самым отменяется использование порта RS-232.



Дополнительные подключения

2 Подключение порта EPO

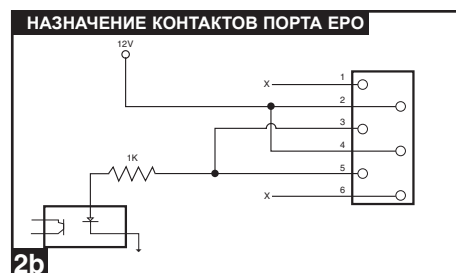
Эта дополнительная возможность предназначена только для тех приложений, в которых необходимо подключение к цепи аварийного отключения питания (EPO) объекта. Если ИБП подключен к этой цепи, то разрешается аварийное отключение его преобразователя и не допускается переключение на внутреннюю обходную цепь. Используя кабель из комплекта поставки, подключить порт EPO системы ИБП (рис. 2a) к переключателю с нормально замкнутыми или нормально разомкнутыми контактами, который приобретается пользователем, согласно схеме подключения (рис. 2b).



Примечание:

1. При использовании вместо поставляемого в комплекте кабеля другого, его длина не должна превышать 106 метров, или сопротивление должно быть не более 10 Ом.
2. Если используется переключатель EPO без фиксации, удержание сигнала должно составлять не менее 1 секунды. Это не относится к переключателям EPO с фиксацией.

Внимание: Порт EPO не предназначен для защиты телефонной линии от скачков напряжения; нельзя подключать к этому порту телефонную линию.



Состояние устройства ИБП, когда срабатывает EPO при наличии напряжения в сети электропитания:

Светодиоды	Выход	Вентиляторы	Последовательный интерфейс	SNMP	USB	ЖК-экран
OFF (ВЫКЛ)	OFF (ВЫКЛ)	OFF (ВЫКЛ)	OFF (ВЫКЛ)	OFF (ВЫКЛ)	OFF (ВЫКЛ)	“Аварийное отключение”

Процедура перезапуска ИБП после срабатывания EPO при наличии напряжения в сети электропитания:

1. Убедиться, что была устранена причина срабатывания EPO или неполадка исправлена.
2. Отключить ИБП от сети электропитания.
3. Снова подключить к сети электропитания. Теперь ИБП запустится как резервный источник в режиме обходной цепи и на ЖК-дисплее появится индикация “BYPASS MODE” (режим работы обходной цепи).

Состояние устройства ИБП, когда срабатывает EPO при отсутствии напряжения в сети электропитания:

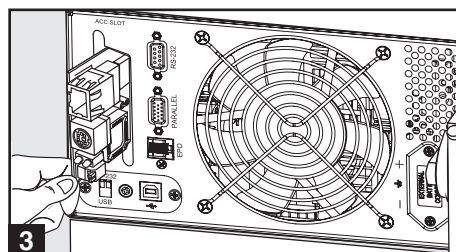
Светодиоды	Выход	Вентиляторы	Последовательный интерфейс	SNMP	USB	ЖК-экран
OFF (ВЫКЛ)	OFF (ВЫКЛ)	OFF (ВЫКЛ)	OFF (ВЫКЛ)	OFF (ВЫКЛ)	OFF (ВЫКЛ)	“Аварийное отключение”

Процедура перезапуска ИБП после срабатывания EPO при отсутствии напряжения в сети электропитания:

1. Убедиться, что была устранена причина срабатывания EPO или неполадка исправлена.
2. Подключить ИБП к сети электропитания. Теперь ИБП запустится как резервный источник в режиме обходной цепи и на ЖК-дисплее появится индикация “BYPASS MODE” (режим работы обходной цепи).

3 Установка внутренней карты SNMP/Web

Снять небольшую крышку с разъема принадлежностей, чтобы использовать дополнительные принадлежности для дистанционного управления и контроля ИБП. Для получения дополнительной информации, включая перечень доступных продуктов SNMP, коммутационных принадлежностей и принадлежностей для управления по сети, обратитесь в службу по работе с клиентами компании Tripp Lite по телефону (773) 869-1234.



Работа в обход (для обслуживания или замены силового модуля)

Система ИБП содержит полнокомплектный силовой/батарейный модуль вместе с независимым съемным блоком PDU с переключателем обходной цепи. Этот переключатель позволяет квалифицированному обслуживающему персоналу снимать блок PDU с силового/батарейного модуля для текущего технического обслуживания без прекращения подачи электроэнергии к подключенным нагрузкам. Когда этот переключатель находится в положении «BYPASS», подключенное оборудование будет получать нефилтрованное напряжение от сети, но не сможет получать энергию от батарей при отключении электроэнергии.

Примечание: При необходимости, дополнительный съемный блок PDU можно также приобрести отдельно у компании Tripp Lite. Для получения подробной информации свяжитесь с компанией Tripp Lite.

(Дополнение: во время «горячей» замены блок PDU может быть размещен на задней стороне стойки с помощью монтажных кронштейнов и крепежа для блока PDU из комплекта поставки. Более подробные инструкции по монтажу приведены в шаге 5 на стр. 81.)

Предупреждение! Только для квалифицированного обслуживающего персонала. Если не соблюдать полностью процедуру переключения на обходную цепь, силовой модуль/блок батарей ИБП не будет правильно выключен, представляя угрозу получения серьезных травм или смертельного исхода от электрического удара высоким напряжением. Силовой модуль/блок батарей ИБП и съемный блок PDU имеют очень большую массу. Для выполнения этой процедуры требуется участие нескольких людей.

Работа в обход (для обслуживания или замены силового модуля)

Снятие силового модуля/блока батарей ИБП

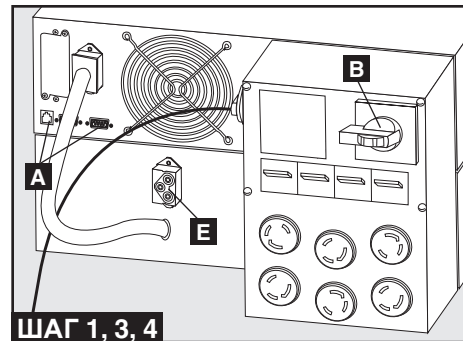
- ШАГ 1.** Отключить ПО PowerAlert и отсоединить кабели связи от портов связи **A** на силовом модуле /блоке батарей ИБП.
- ШАГ 2.** Нажать на ИБП кнопку «OFF» **C**, если ИБП включен, и удерживать, пока не прозвучит сигнал и на ЖК дисплее появится сообщение «BYPASS MODE».
- ШАГ 3.** Повернуть переключатель обходной цепи на съемном блоке PDU в положение **B** «BYPASS».
- ШАГ 4.** Если к разъему **E** на ИБП подключен блок внешней батареи, отключить его от ИБП.

Теперь силовой модуль/блок батарей ИБП надежно обесточен и его можно отключить от БРП для обслуживания или замены.

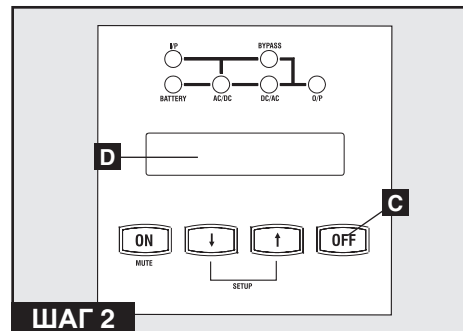
⚠ Предупреждение! Высокое напряжение! Угроза электрического удара! СМ. НИЖЕ. ⚠

- ШАГ 5:** Вывинтить четыре винта, которыми съемный блок PDU крепится к силовому модулю/блоку батарей.
- ШАГ 6:** Силами нескольких человек, взявшись с каждой стороны, осторожно отделить съемный блок PDU от силового модуля/блока батарей. Во время этой операции убедиться, что каждая секция надежно удерживается после отделения. Если секции отделяются при размещении оборудования в стойке, убедитесь, что у каждой секции есть надежная опора на монтажных направляющих для ИБП. Снять монтажные принадлежности с передней панели ИБП; сдвинуть вперед силовой модуль и блок батарей и снять его. Если желательно оставить съемный блок PDU в стойке, нужно подвесить блок на задней стороне стойки на установленные монтажные кронштейны с помощью винтов, применяемых для крепления блока PDU к системе ИБП. (Вернитесь к стр. 81, где описана установка монтажных кронштейнов блока PDU).

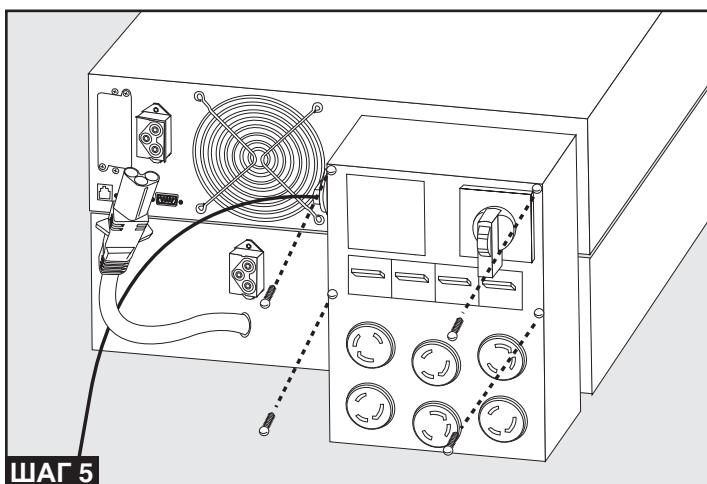
Если секции отделяются при размещении оборудования вертикально, убедитесь, что у каждой секции есть надежная опора на подставке. Отрегулируйте опоры, чтобы они плотно охватывали оставшиеся блоки.



ШАГ 1, 3, 4



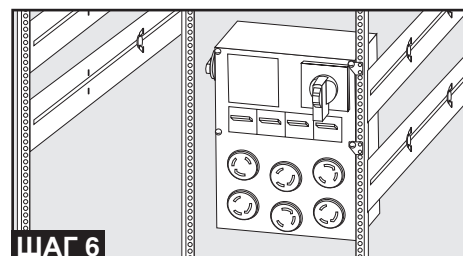
ШАГ 2



ШАГ 5



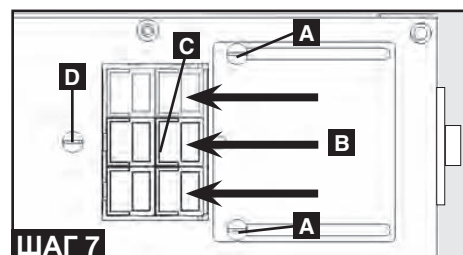
ШАГ 6



ШАГ 6

- ШАГ 7:** Ослабить винты **A** на крышке **B** контактного отсека. Сдвинуть крышку над контактами **C**. Затянуть винт **D** для закрепления крышки. Предупреждение: При обращении с блоком PDU следует соблюдать особую осторожность. Не позволяйте контактам касаться посторонних предметов.

Для крепления блока PDU выполнить описанные выше действия в обратном порядке.



ШАГ 7



Предупреждения о наличии высокого напряжения



Контакты на силовом модуле/блоке батарей

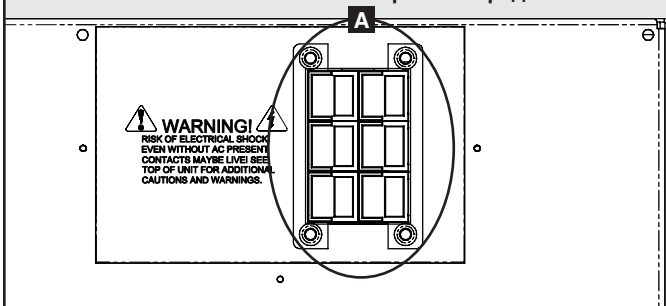


Предупреждение!
Высокое напряжение!



Угроза электрического удара!

За счет наличия внутренних батарей высокого напряжения, даже при отсутствии подачи электроэнергии от сети, эти контакты **A** находятся под напряжением! Не позволяйте этим контактам касаться посторонних предметов!



Контакты на съемном блоке PDU

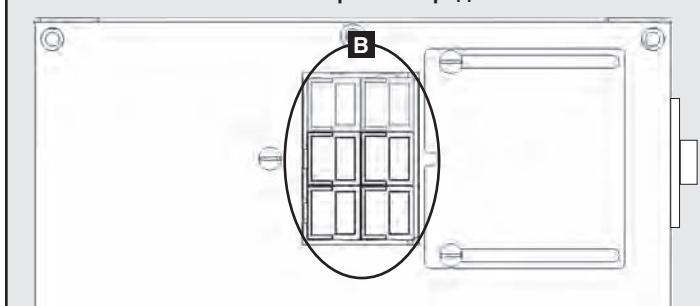


Предупреждение!
Высокое напряжение!



Угроза электрического удара!

Если присутствует напряжение сети и переключатель обходной цепи установлен в положение «Bypass», эти контакты **B** находятся под напряжением! Не позволяйте этим контактам касаться посторонних предметов!



Технические характеристики

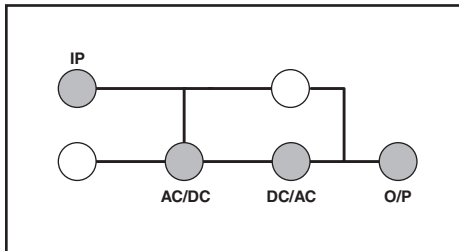
В состав приведенных ниже моделей входит силовой модуль, один или два блока батарей и блок PDU.

Информация по моделям

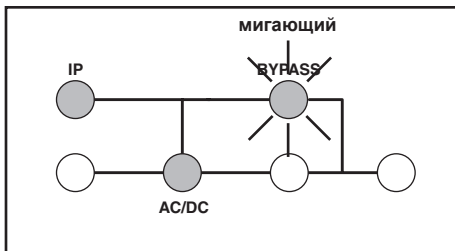
Информация # (S)	8kVA	10kVA
Вход		
Тип входного подключения	Разъем Anderson Power 75 A (3-х полюсный)	Разъем Anderson Power 75 A (3-х полюсный)
Диапазон входных напряжений	156~280V Одна фаза	156~280V Одна фаза
Входное напряжение модуля	200/208/220/230/240V AC	200/208/220/230/240V AC
Частота входного напряжения	50/60Hz (40~70Hz)	50/60Hz (40~70Hz)
Входной ток	46.0/44.2/41.8/40.0/38.3 (Максимум)	56.1/54.0/51.0/48.8/46.8 (Максимум)
Пусковой ток	<200A	<200A
Коэффициент мощности (при полной нагрузке)	>0.98	>0.98
Эффективность (полная нагрузка/интерактивный режим)	90%	90%
Автоматический выключатель силового модуля	Не применяется	Не применяется
Модель батарей	BP240V10RT-3U; 20 x 12V9Ah	BP240V10RT-3U; 20 x 12V9Ah
Выход		
VA	8000	10000
Мощность, Вт (коэффициент мощности: 0.9)	7200	9000
Тип выходного подключения	Разъем Anderson Power 75 A (3-х полюсный)	Разъем Anderson Power 75 A (3-х полюсный)
Форма напряжения (интерактивный режим)	Синусоида	Синусоида
Форма напряжения (при работе от батарей)	Синусоида	Синусоида
Выходное напряжение (RMS)	200/208(по умолчанию)/ 220/230/240Vac (Одна фаза)	200/208(по умолчанию)/ 220/230/240Vac (Одна фаза)
Частота выходного напряжения	50/60Hz ± 0.05Hz	50/60Hz ± 0.05Hz
Стабилизация напряжения	±2%	±2%
Максимальный коэффициент гармоник (при полной линейной нагрузке)	<2%	<2%
Максимальный коэффициент гармоник (при полной нелинейной нагрузке)	<3%	<3%
Способность к перегрузке	105% (Продолжительно), 106%-125% (1 минута), 126%-150% (30 секунд), >150% (Мгновенно)	105% (Продолжительно), 106%-125% (1 минута), 126%-150% (30 секунд), >150% (Мгновенно)
Стойкость к короткому замыканию		
Коэффициент амплитуды	2.7:1	2.7:1
Эксплуатационные показатели		
Время переключения в интерактивном режиме (от сети на батарею, от батареи на сеть)	0 ms.	0 ms.
Низкочастотный шум (при полной нагрузке на расстоянии 1 м)	60dBА	60dBА
Индикаторы	Имеется ЖК дисплей и светодиоды (i/P (вход), BATTERY, AC/DC, BYPASS DC/AC, O/P (выход).	
Связь	Имеется порт RS-232, соединитель для параллельной работы, разъем USB, разъем порта EPO и разъем для принадлежности.	
Физические характеристики		
Габаритные размеры (В x Ш x Г)	25.82 x 17.5 x 5.14 in. [665.8 x 444.5 x 130.5 mm]	25.82 x 17.5 x 5.14 in. [665.8 x 444.5 x 130.5 mm]
Силовой модуль		
Блок PDU	20.54 x 6.96 x 4.49 in. [521.8 x 176.8 x 114 mm]	20.54 x 6.96 x 4.49 in. [521.8 x 176.8 x 114 mm]
Масса при отгрузке		
Масса при отгрузке	66 lb. [30 kg.]	66 lb. [30 kg.]
Силовой модуль		
Блок PDU		

Информация на светодиодах

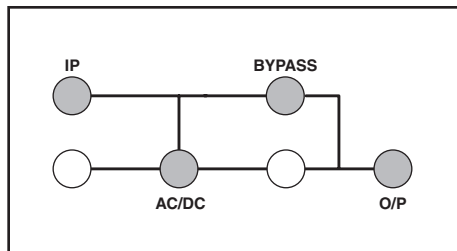
Режим работы от сети: Входное напряжение в нормальном диапазоне: 156–280 В.



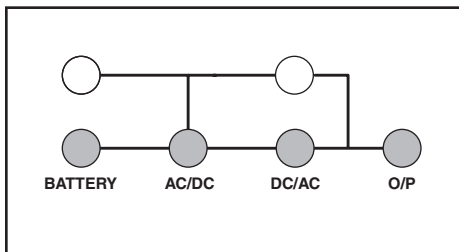
Режим работы обходной цепи: Входное напряжение в диапазоне: –20 до +15% от номинального напряжения; режим работы в обход разрешен.



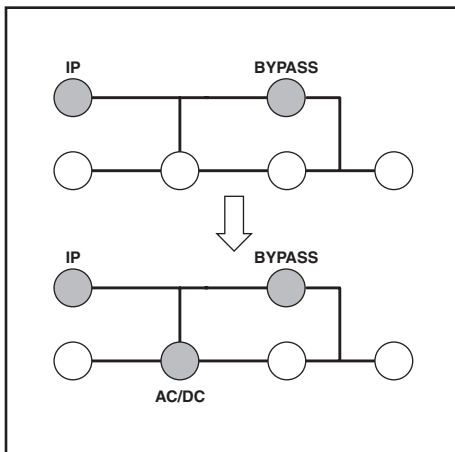
Экономичный режим: Входное напряжение в диапазоне от –10 до +10% от номинального напряжения; экономичный режим работы разрешен.



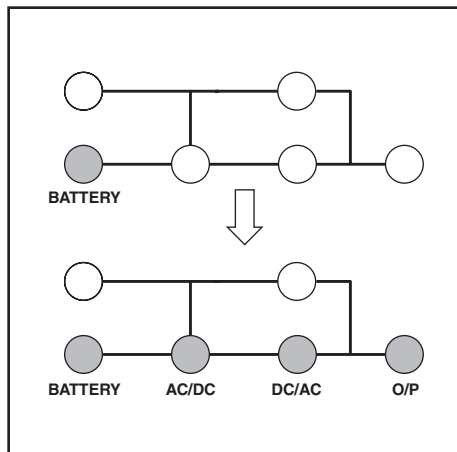
Режим «холодного» запуска/работа от батарей: При холодном запуске от батарей вы увидите следующую конфигурацию светодиодов:



Запуск при работе от сети: Во время запуска при работе от сети вы увидите следующую последовательность включения светодиодов:

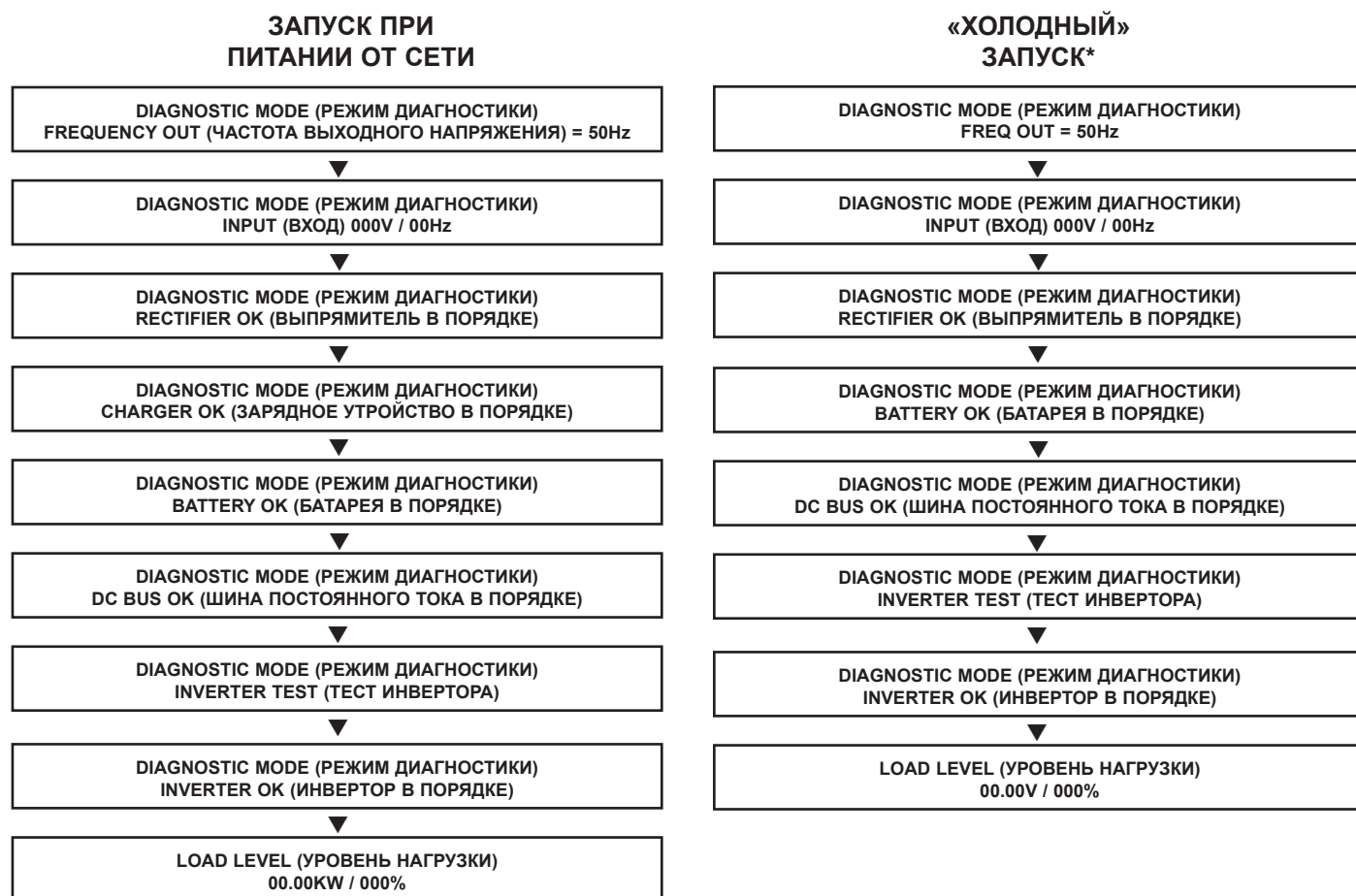


«Холодный» запуск: Во время «холодного» запуска вы увидите следующую последовательность включения светодиодов.



Внутренний тест при запуске

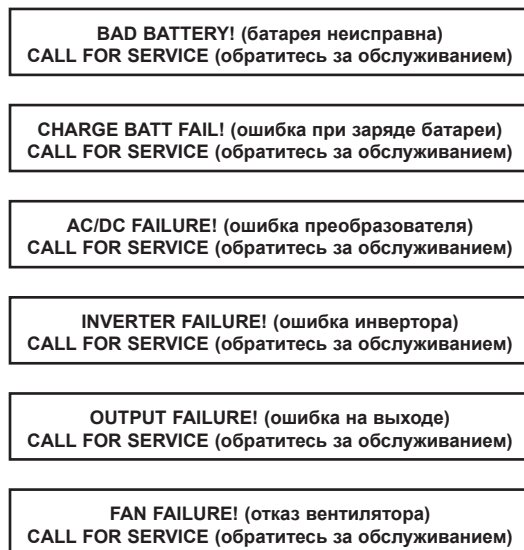
При включении ИБП он переходит в режим диагностики и выполняет короткий внутренний тест, который длится примерно 15 секунд. Результаты внутреннего тестирования отображаются на ЖК дисплее в следующем порядке.



* Примечание: Если ИБП выполняет «холодный» запуск, светодиод BATTERY будет гореть.

Ошибка при самотестировании

Если во время самотестирования обнаружена проблема, ЖК дисплей будет отображать сообщение об ошибке. Если на ЖК дисплее ИБП отображается любая из следующих ошибок, обратитесь за обслуживанием в службу технической поддержки компании Tripp Lite по телефону (773) 869-1234.



Эксплуатация

Нормальная работа

Во время нормальной работы первая строка ЖК дисплея отображает, в каком режиме работает ИБП: интерактивный, экономичный, от батарей или работа в обход.

Интерактивный режим: ИБП обеспечивает питание переменным напряжением во время наличия сетевого напряжения и мгновенно переключается в режим работы от батарей (нулевое время переключения), если прекращается подача электроэнергии.

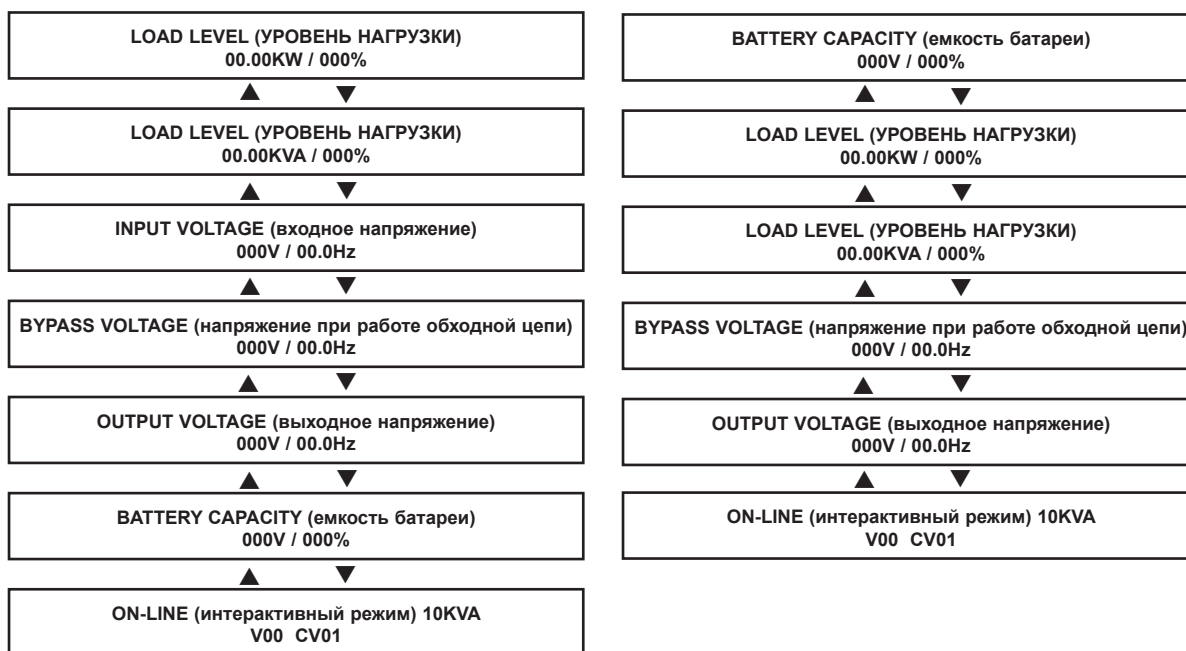
Экономичный режим: ИБП обеспечивает питание переменным напряжением с высокой эффективностью, пока сетевое напряжение находится в пределах $\pm 10\%$ от номинального и переключается в режим работы от батарей (нулевое время переключения), если прекращается подача электроэнергии.

Промышленный режим: Если ИБП обнаруживает колебания выходного напряжения дольше 5 мс, ИБП перейдет на режим работы в обход и снова вернется в интерактивный режим, когда восстановятся нормальные параметры выходного напряжения.

Режим работы от батарей: ИБП обеспечивает питание от батарей, насколько хватит их заряда. При возобновлении подачи электроэнергии он возвращается в нормальный или экономичный режим. Если энергия батарей исчерпана, а подача электроэнергии не возобновилась, ИБП выключается.

Режим работы обходной цепи: ИБП обеспечивает питание переменным напряжением, пока есть подача электроэнергии от сети. Если подача электроэнергии прекратится, ИБП выключается.

Вторая строка ЖК дисплея отображает базовые параметры электропитания. Нажать кнопку пролистывания для просмотра этих базовых параметров в указанном ниже порядке.



Меню настройки ИБП

Нажать кнопки со стрелками вверх и вниз одновременно в течение 3 секунд, пока на экране не появится меню настройки, показанное ниже:

UPS (ИБП) SETUP (настройка)
EXIT (выход) ENTER (войти)

Нажать кнопку со стрелкой вверх для входа в режим настройки.

Чтобы войти в режим настройки, понадобится ввести пароль.

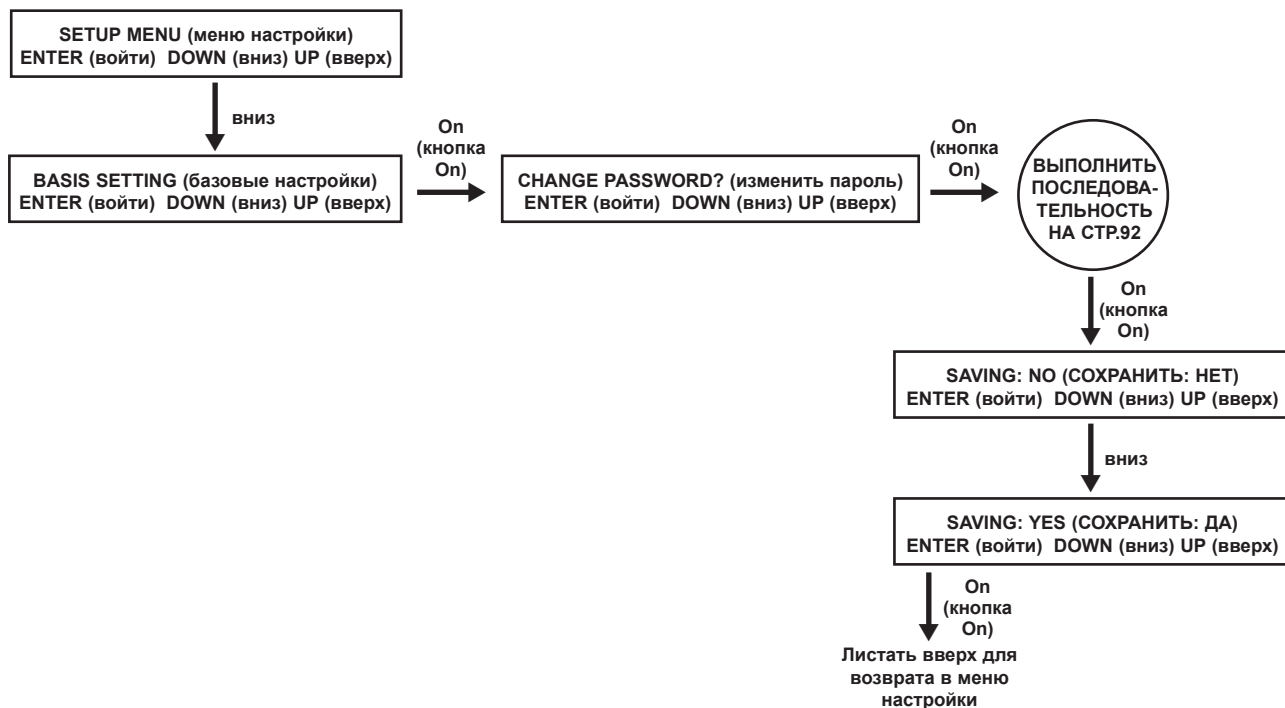
PASSWORD (пароль) : 0000
ENT (войти) DOWN (вниз) UP (вверх) ←

При нажатии кнопок со стрелками вверх или вниз числа увеличиваются или уменьшаются на 1 (от 0 до 9). Нажатием этих кнопок ввести первую цифру, затем нажать кнопку ON. Первая цифра сохранится и произойдет переход к следующей цифре пароля. Пароль лежит в диапазоне от 0000 до 9999 и должен меняться администратором. Пароль по умолчанию 1234.

Эксплуатация

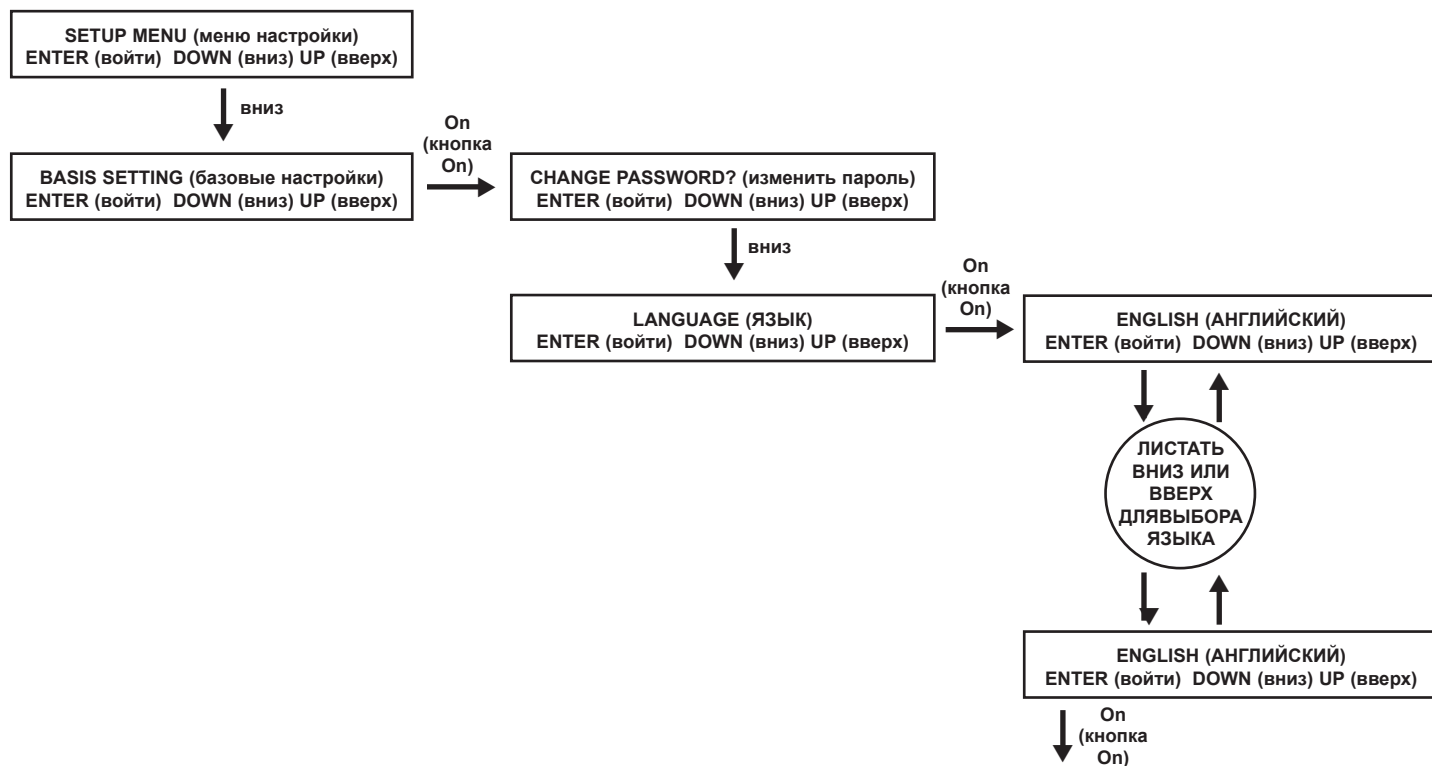
Изменение пароля

Чтобы изменить пароль, нужно перейти в меню настройки к экрану BASIS SETTING (базовые настройки). В этом меню нажать кнопку ON, чтобы высветить экран CHANGE PASSWORD (смена пароля). На этом экране нажать кнопку ON и выполнить ранее описанные действия для задания своего пароля. После ввода пароля нажать кнопку ON, чтобы перейти к экрану SAVING (сохранить пароль). Листать вниз, пока не отобразится экран SAVING: YES (сохранить: да) и нажать кнопку ON для сохранения. Листая вверх, вернуться в меню настройки.



Выбор языка отображения

Чтобы выбрать язык отображения, листать вниз для перехода к экрану BASIS SETTING (базовые настройки). Нажать кнопку ON, чтобы перейти к экрану CHANGE PASSWORD (смена пароля), и нажать стрелку вниз, чтобы перейти к экрану LANGUAGE (язык). Здесь нажать кнопку ON. Можно пролистывать вверх или вниз для поиска нужного языка. Для сохранения выбранного языка нажать кнопку ON.

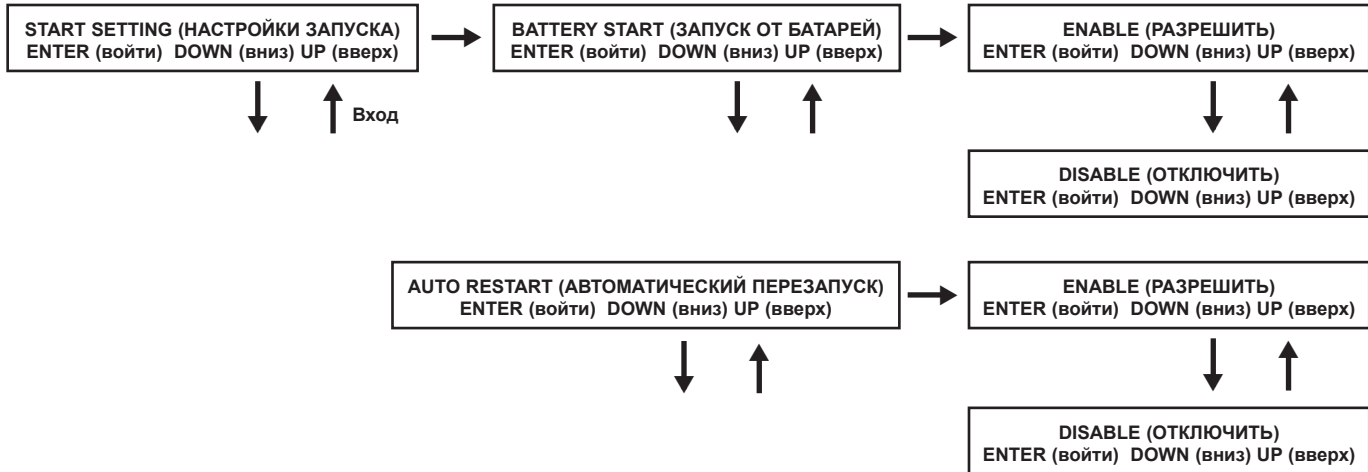


Настройки запуска

ИБП может запускаться от батарей при отсутствии напряжения в сети. По умолчанию эта опция включена. Когда ИБП переключается на батареи, он может выполнить автоматический перезапуск, чтобы работать в интерактивном режиме, когда восстановится подача электроэнергии. По умолчанию эта опция включена.

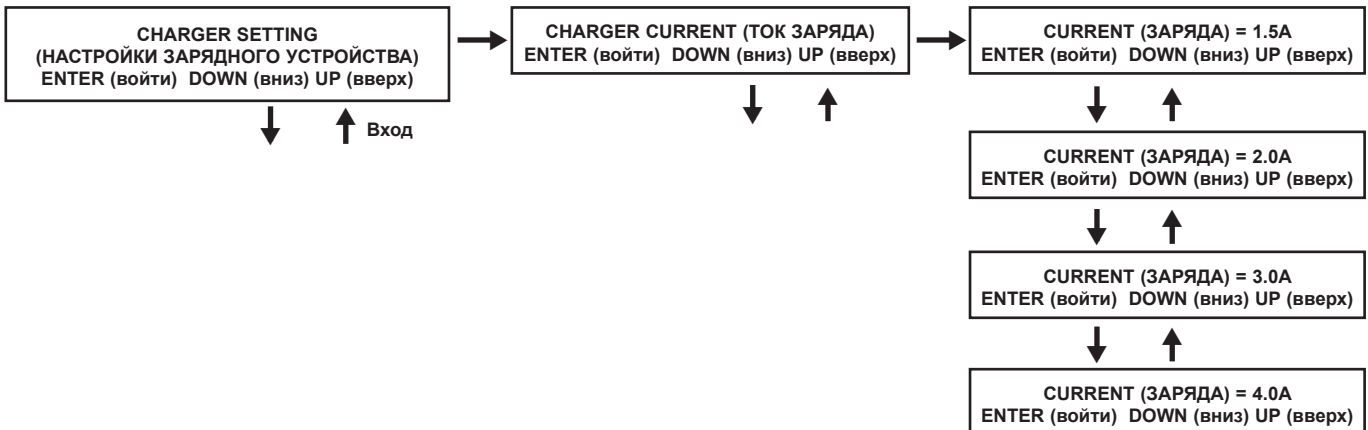
Из меню настройки SETUP MENU листать вниз для перехода к экрану START SETTING (настройки запуска). В этом меню нажать кнопку ON для перехода к экрану BATTERY START (запуск от батарей). При нажатии кнопки ON происходит переход к экрану ENABLE (разрешить). Если нажать ON, будет выбрана опция ENABLE (разрешить), а при листании вниз — опция DISABLE (отключить). При нажатии кнопки ON будет выбрана опция DISABLE, запрещающая данную функцию.

Из меню BATTERY START листать вниз, чтобы перейти к экрану AUTO RESTART. При нажатии ON происходит переход к экрану ENABLE; для выбора опции ENABLE еще раз нажать ON. Листать вниз для перехода к опции DISABLE. При нажатии кнопки ON будет выбрана опция DISABLE, запрещающая данную функцию.



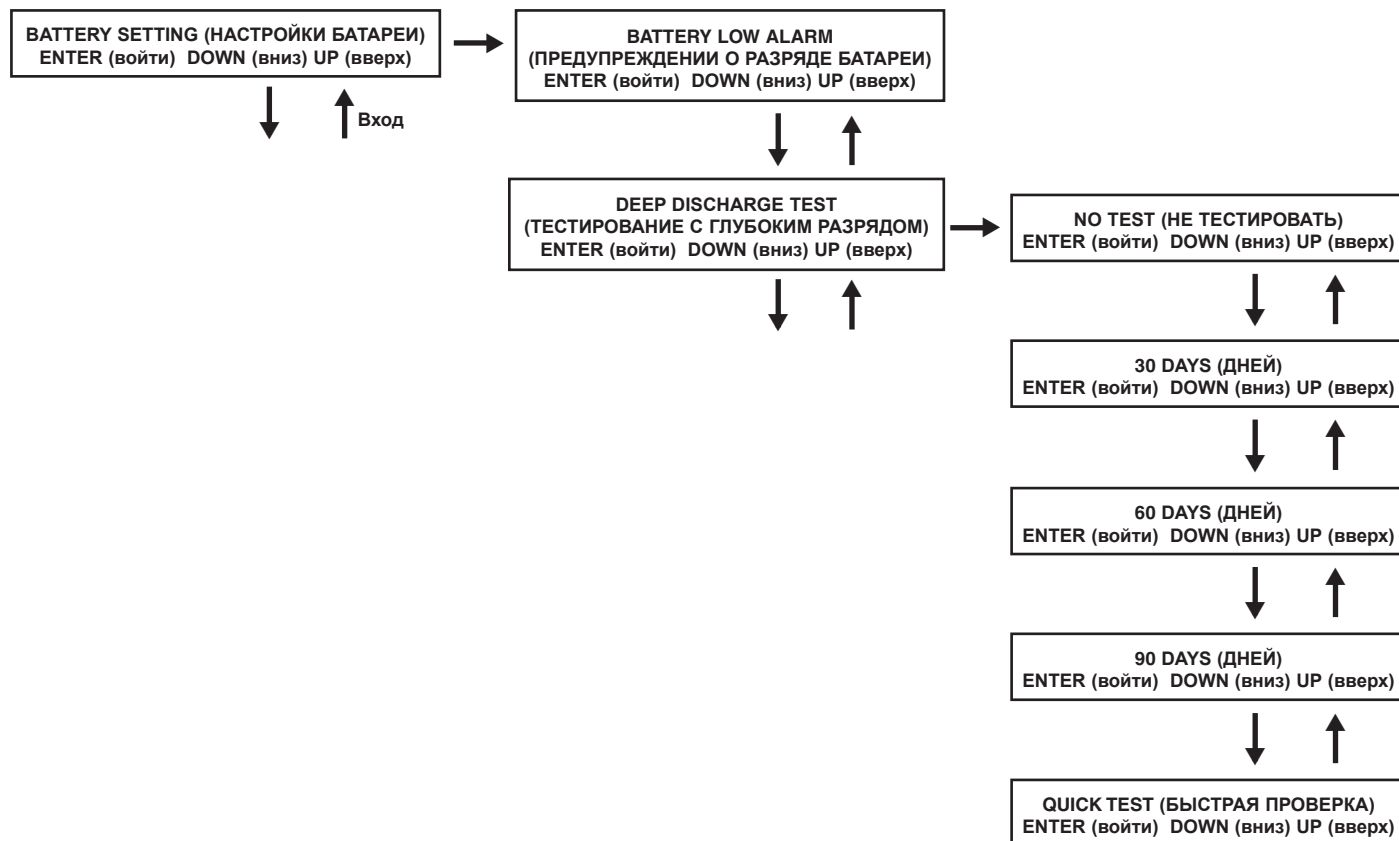
Настройки зарядного устройства

Из меню настройки SETUP MENU листать вниз для перехода к экрану CHARGER SETTING (настройки зарядного устройства). Из этого меню нажать кнопку ON для перехода к экрану CHARGER CURRENT (ток заряда). Снова нажать кнопку ON. Отсюда можно листать вниз или вверх, выбирая значения тока в пределах от 1,5 до 4,0А. Для сохранения нужного значения нажать кнопку ON.



Настройки батареи

Тестирование с глубоким разрядом: используется для задания периода времени, через который производится тестирование с глубоким разрядом батареи. Из меню настройки SETUP MENU листать вниз для перехода к экрану BATTERY SETTING (настройки батареи). На экране BATTERY LOW ALARM нажать кнопку ON и листать вниз для перехода к экрану DEEP DISCH TEST (тест с глубоким разрядом). Здесь нажать кнопку ON. Теперь можно листать вниз или вверх для выбора значения NO TEST (не тестировать), 30, 60, 90 дней и QUICK TEST. При выборе нужного временного интервала нажать ON для сохранения выбора. По умолчанию задано NO TEST.



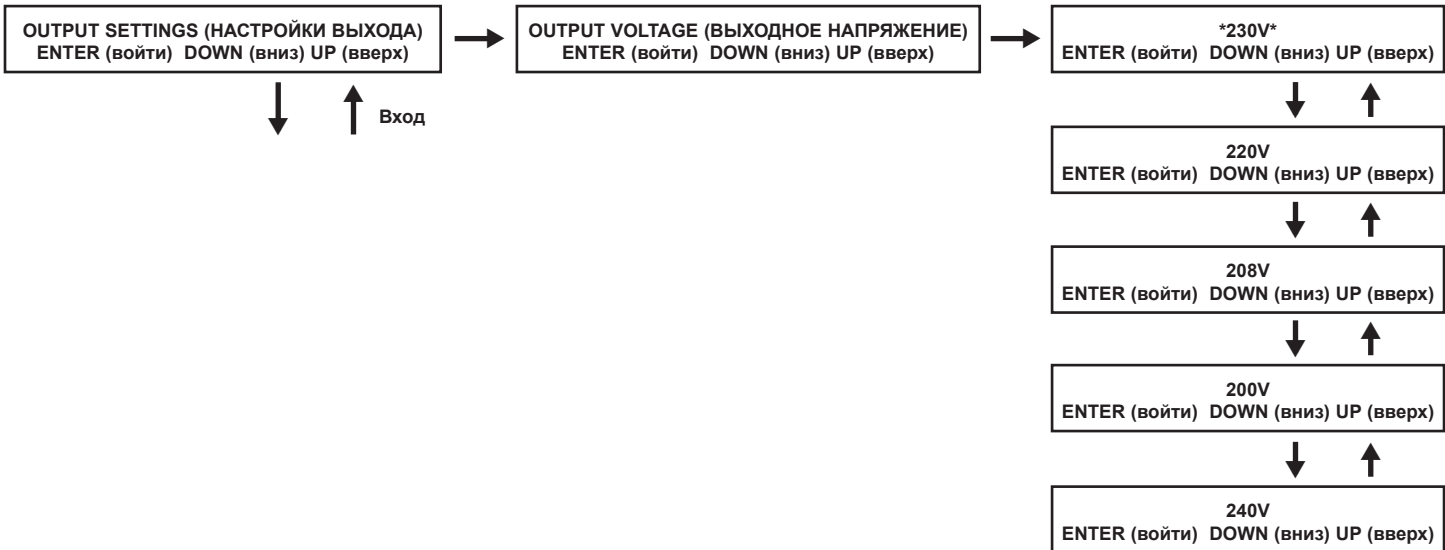
Эксплуатация

Настройки выхода

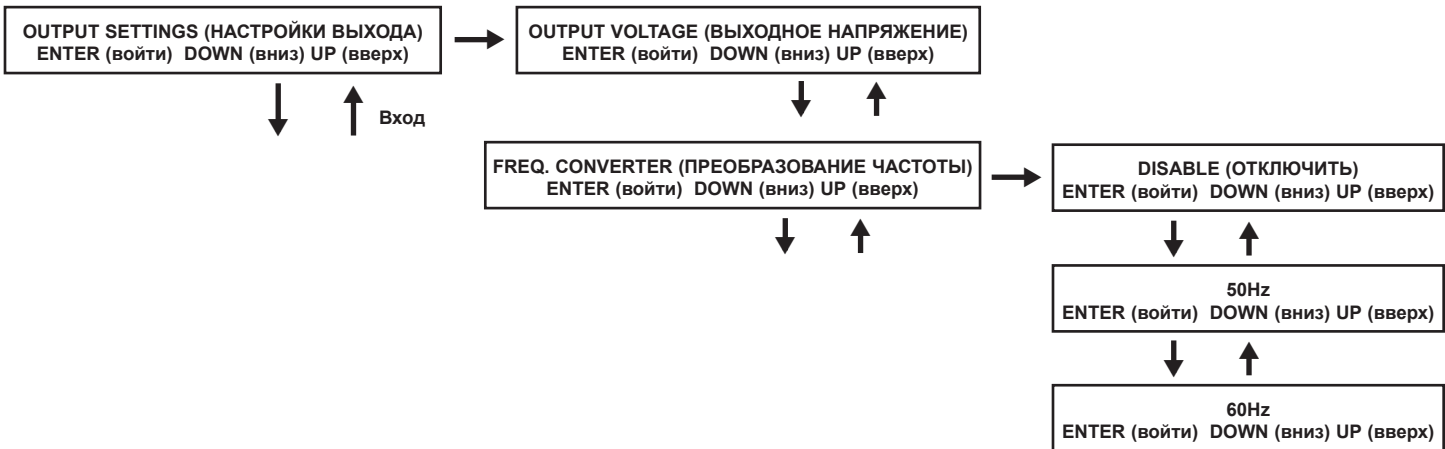
Примечание: При любых изменениях настроек выхода требуется выключение и включение ИБП.

Выходное напряжение: используется для задания номинального выходного напряжения ИБП. Из меню настройки SETUP MENU листать вниз для перехода к экрану OUTPUT SETTING (настройки выхода). Нажать кнопку ON для перехода к экрану OUTPUT VOLTAGE (выходное напряжение) и снова нажать ON. Листая вниз или вверх можно выбрать одно из пяти значений: 200/208/220/230/240 В. Для сохранения нужного напряжения нажать кнопку ON.

По умолчанию для выбирается: 208В.

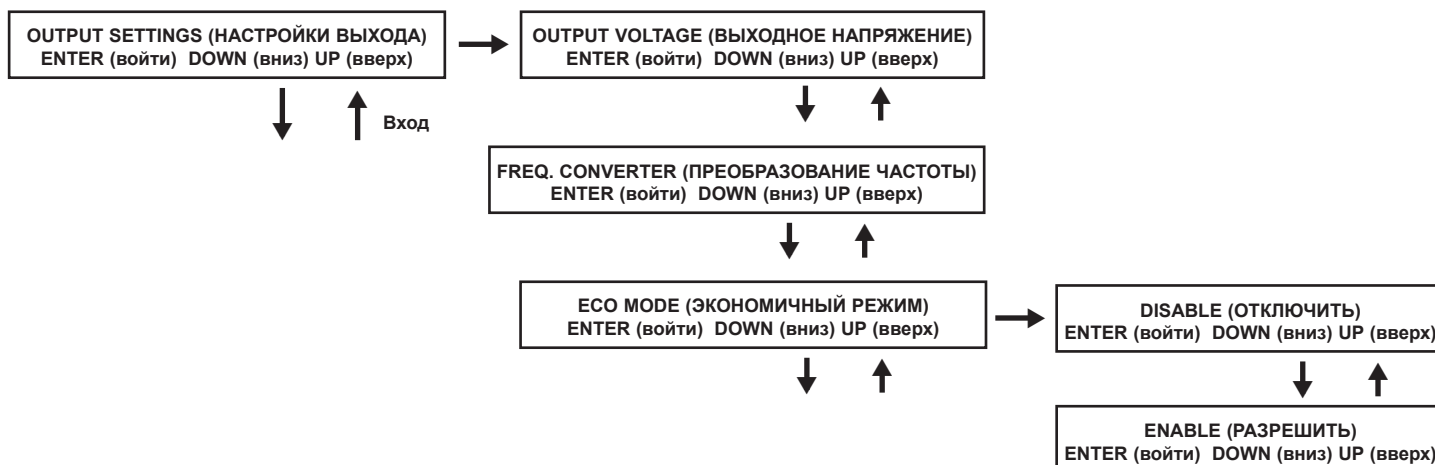


Преобразование частоты: используется для задания режима преобразователя частоты. Из меню настройки SETUP MENU листать вниз для перехода к экрану OUTPUT SETTING (настройки выхода). Нажать ENTER для перехода к экрану OUTPUT VOLTAGE (выходное напряжение) и листать вниз для перехода к экрану FREQ CONVERTER (преобразователь частоты). Здесь нажать кнопку ON. Теперь можно листать вниз или вверх для выбора значения DISABLE (отменить), 50 и 60 Гц. Для сохранения выбранного значения нажать кнопку ON. Когда выбрана опция DISABLE, ИБП будет автоматически определять частоту входного напряжения и соответственно выбирать 50 или 60 Гц. Выбор по умолчанию DISABLE.

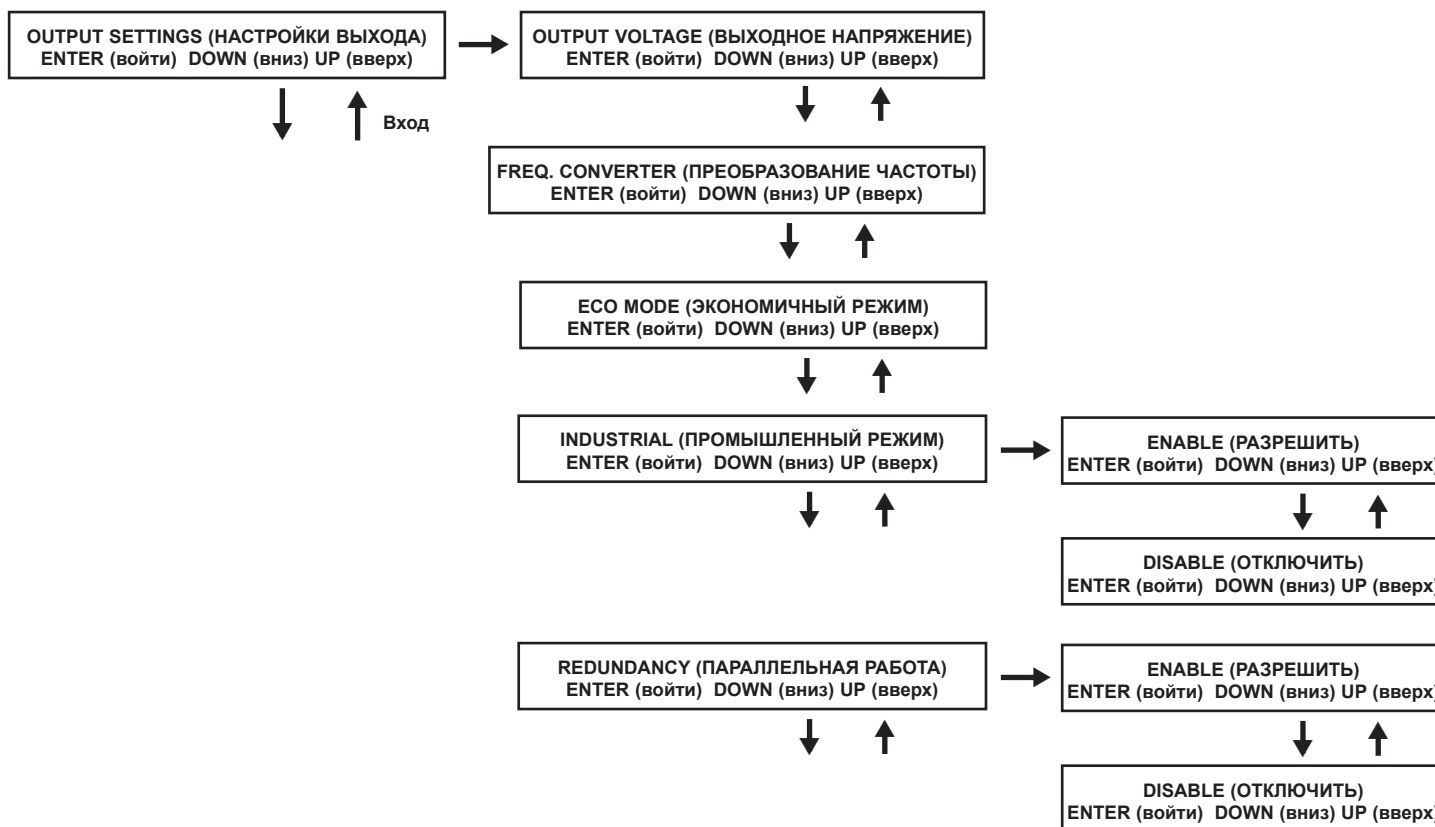


Настройки выхода

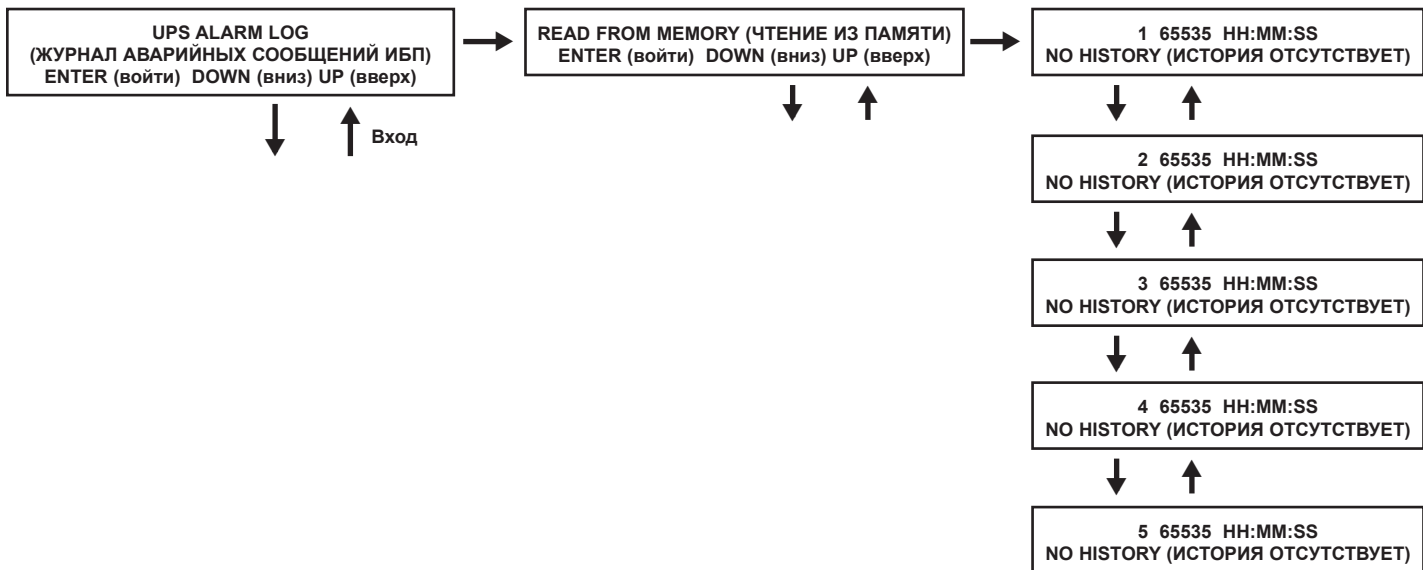
Экономичный режим: используется для разрешения ИБП работать в энергосберегающем режиме. Когда входное напряжение находится в диапазоне $\pm 10\%$ от номинального напряжения, ИБП будет переходить в экономичный режим, чтобы улучшить энергоэффективность ИБП. Из меню настройки SETUP MENU листать вниз для перехода к экрану OUTPUT SETTING (настройки выхода). Из этого меню нажать кнопку ON для перехода к экрану OUTPUT VOLTAGE (выходное напряжение), и листать вниз для перехода через экран FREQ CONVERTER (преобразователь частоты) к экрану ECO MODE (экономичный режим). Здесь нажать кнопку ON и можно листать вниз или вверх для выбора опции DISABLE (отключить) или ENABLE (разрешить). Для сохранения выбранного значения нажать кнопку ON. Установка по умолчанию DISABLE.



Промышленный режим: используется для задания защиты ИБП по напряжению. Если опция включена и поступающее от сети напряжение и частота находятся в нормальных пределах, ИБП будет работать в интерактивном режиме. Если ИБП обнаруживает колебания выходного напряжения дольше 5 мс, ИБП перейдет на режим работы в обход и снова вернется в интерактивный режим, когда восстановятся нормальные параметры выходного напряжения. Из меню настройки STARTUP MENU листать вниз для перехода к экрану OUTPUT SETTING (настройки выхода). Здесь нажать кнопку ON для перехода к экрану OUTPUT VOLTAGE (выходное напряжение), и листать вниз для перехода к экрану INDUSTRIAL (промышленный режим). Здесь нажать кнопку ON и можно листать вниз или вверх для выбора опции DISABLE (отключить) или ENABLE (разрешить). Для сохранения выбранного значения нажать кнопку ON. По умолчанию установлено DISABLE. Листая вниз с экрана INDUSTRIAL перейти к экрану REDUNDANCY (параллельная работа). Здесь нажать кнопку ON и можно листать вниз или вверх для выбора опции DISABLE (отключить) или ENABLE (разрешить). Установка по умолчанию DISABLE.



Журнал аварийных сообщений ИБП

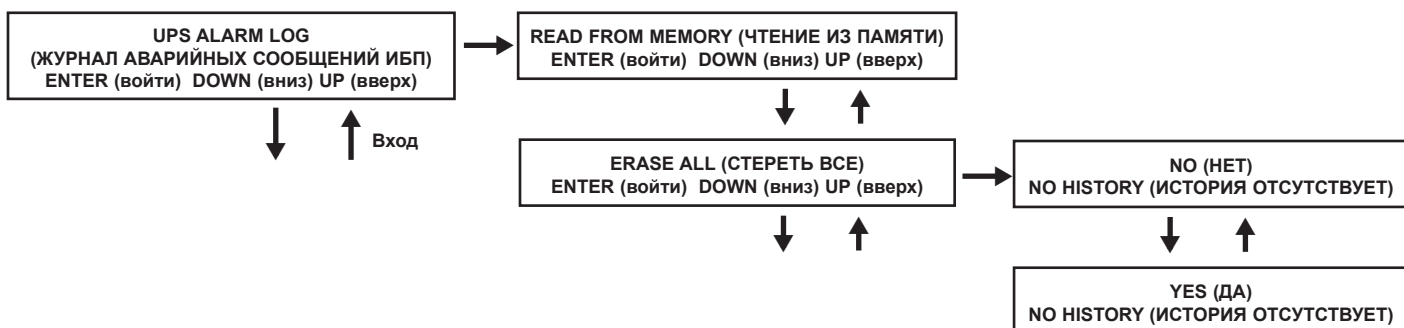


Читать из памяти: последние 5 сообщений об ошибках, прочитанные из энергонезависимой памяти EEPROM. Ниже приведен перечень регистрируемых событий отказов:

Перечень регистрируемых событий отказов		
DC BUS FAIL (отказ шины постоянного тока)	CHARGER BATTERY FAIL (ошибка зарядного устройства)	OUTPUT FUSE FAIL (отказ выходного предохранителя)
SHORT CIRCUIT (короткое замыкание)	BYPASS SCR SHORT FAIL (ошибка замыкания <SCR> обходной цепи)	DC BUS OVP FAIL (ошибка из-за перегрузки шины постоянного тока)
INVERTER FAIL (ошибка инвертора)	INPUT SCR SHORT FAIL (ошибка замыкания <SCR> входной цепи)	INPUT HVP RELAY SHORT FAIL (ошибка замыкания входного защитного реле)
OVER TEMPERATURE (перегрев)	DERATE SHUTDOWN (выключение из-за нарушения параметров)	INPUT HVP RELAY OPEN FAIL (ошибка размыкания входного защитного реле)
OUTPUT SCR FAIL (ошибка <SCR> выходной цепи)	ENERGY SAVING (экономия электроэнергии)	NTC OPEN FAIL (ошибка размыкания <NTC>)
OVERLOAD (Перегрузка)	OUTPUT HAS VOLTAGE (опасное выходное напряжение)	LOW TEMP FAIL (ошибка из-за низкой температуры)
FAN FAILURE (отказ вентилятора)	INPUT FUSE FAIL (отказ входного предохранителя)	

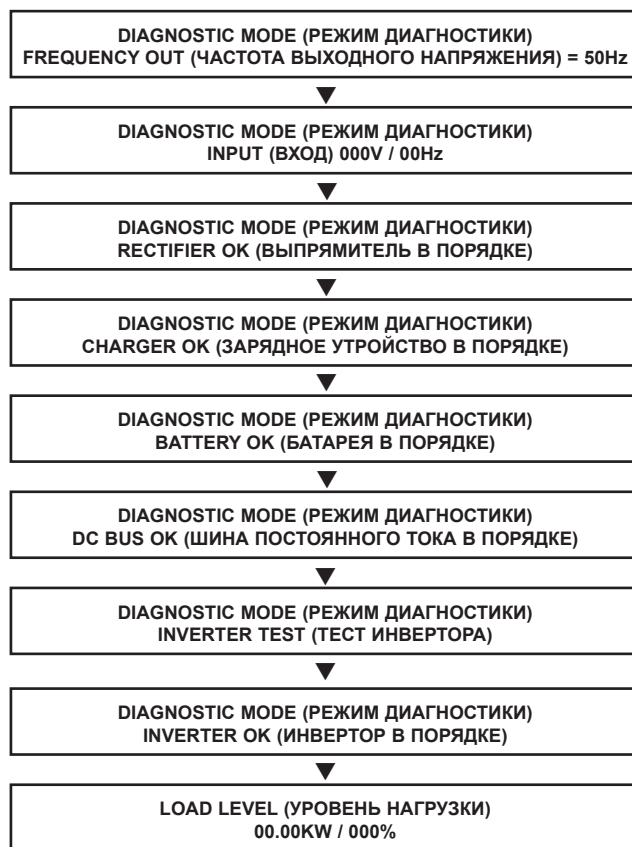
Из меню настройки SETUP MENU листать вниз для перехода к экрану UPS ALARM LOG (журнал аварийных сообщений ИБП). Нажать кнопку ON для перехода к экрану READ FROM MEMORY (чтение из памяти) и снова нажать ON. Здесь можно листать вниз или вверх, чтобы прочитать последние 5 сообщений об ошибках. Нажать кнопку ON для выхода из этого меню.

Стереть все: используется для удаления записей в журнале регистрации событий. Из меню настройки STARTUP MENU листать вниз для перехода к экрану UPS ALARM LOG (журнал аварийных сообщений ИБП). Из этого меню нажать кнопку ON для перехода к экрану READ FROM MEMORY (чтение из памяти) и листать вниз для выбора опции ERASE ALL (стереть все). Листая вниз или вверх можно выбрать вариант Yes (да) и No (нет). Для сохранения выбранного значения нажать кнопку ON. Будет показан экран подтверждения SURE? (уверены?). Нажать кнопку ON для сохранения или листать для выбора других опций.

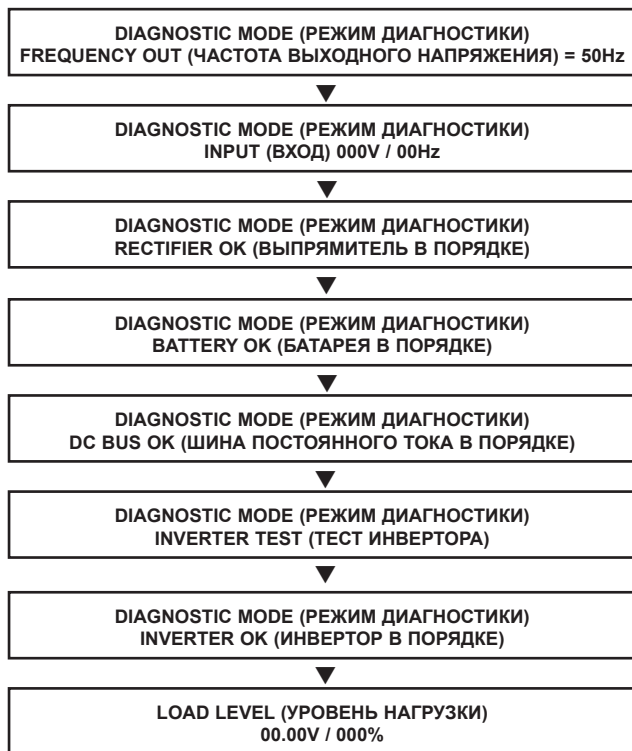


Информация автоматической диагностики

Во время запуска от сети будет показана следующая последовательность сообщений:

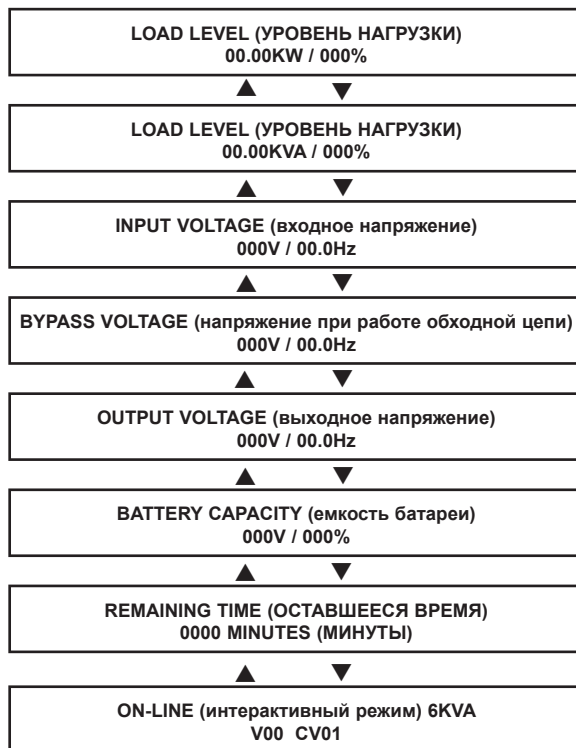


Во время запуска от батареи будет показана следующая последовательность сообщений:

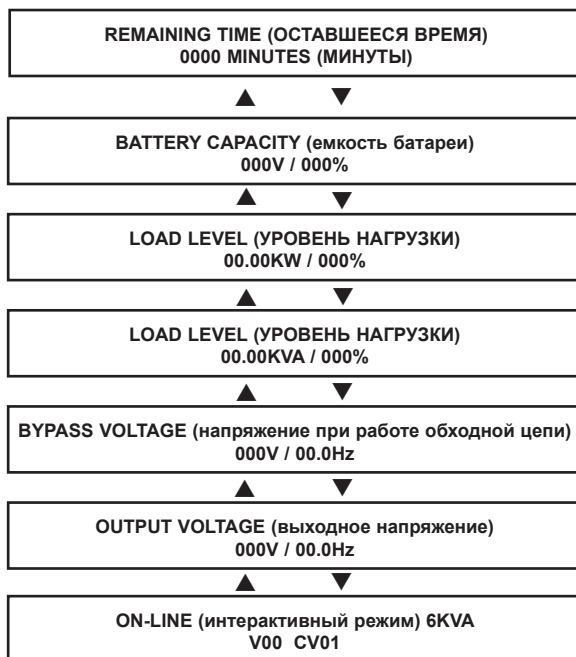


Отображаемая информация в интерактивном режиме

Во время работы в интерактивном режиме от сети будет показана следующая последовательность сообщений:

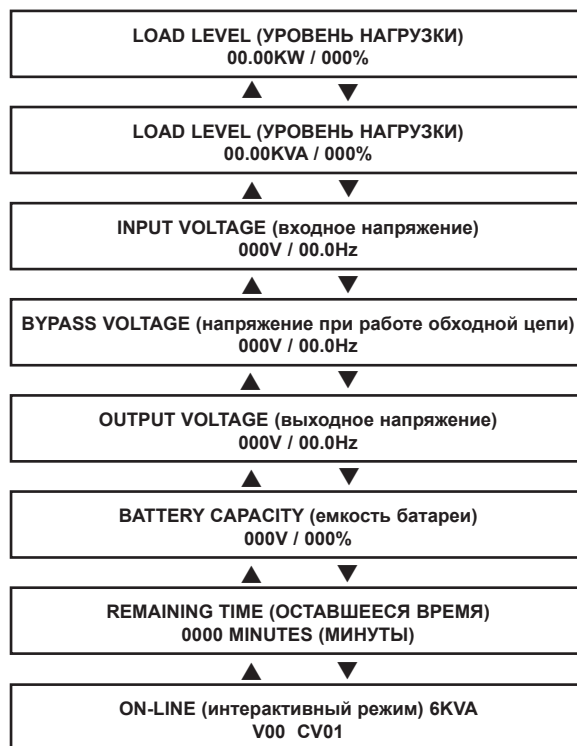


Во время работы в интерактивном режиме от батареи будет показана следующая последовательность сообщений:



Отображаемая информация в режиме работы обходной цепи

При работе в режиме обходной цепи будет показана следующая последовательность сообщений:



Сообщения о причине аварийного выключения ИБП

СИТУАЦИЯ	СООБЩЕНИЯ НА ЖК ДИСПЛЕЕ
+BUS >450V	+ DC BUS HIGH SHUTDOWN (выключение из-за высокого напряжения на шине постоянного тока)
Нагрузка <100%: +BUS < 320V Нагрузка >100%: +BUS <290V	+ DC BUS LOW SHUTDOWN (выключение из-за низкого напряжения на шине постоянного тока)
-BUS >450V	- DC BUS HIGH SHUTDOWN (выключение из-за высокого напряжения на шине постоянного тока)
Нагрузка <100%: -BUS <320V Нагрузка >100%: -BUS <290V	- DC BUS LOW SHUTDOWN (выключение из-за низкого напряжения на шине постоянного тока)
Напряжение на шине превышает 500 В	BUS OVP FAIL SHUTDOWN (выключение из-за ошибки, вызванной перегрузкой шины постоянного тока)
Короткое замыкание выходной цепи	OUTPUT SHORT SHUTDOWN (выключение из-за короткого замыкания выходной цепи)
Перегрев ИБП	OVER TEMPERATURE SHUTDOWN (выключение из-за перегрева)
Ошибка размыкания <SCR> выходной цепи	OUTPUT SCR FAIL SHUTDOWN (выключение из-за ошибки <SCR> выходной цепи)
Перегрузка выхода	OVERLOAD SHUTDOWN (выключение из-за перегрузки выходной цепи)
Замыкание <SCR> обходной цепи	BYPASS SCR FAIL SHUTDOWN (выключение из-за ошибки <SCR> обходной цепи)
Ошибка входного <SCR> выпрямителя	RECTIFIER FAIL SHUTDOWN (выключение из-за ошибки выпрямителя)
Ошибка выходного напряжения инвертора	INVERTER SHUTDOWN (выключение инвертора)
Разрыв входного предохранителя	I/P FUSE BROKEN SHUTDOWN (выключение из-за разрыва входного предохранителя)
Разрыв выходного предохранителя	O/P FUSE BROKEN SHUTDOWN (выключение из-за разрыва выходного предохранителя)
Потеря идентификатор параллельного блока	PARALLEL FAULT SHUTDOWN (выключение из-за ошибки параллельного устройства)

Эксплуатация

Сигнал тревоги при работе от батарей

Когда ИБП работает от батарей, силовой модуль ИБП будет издавать звуковой сигнал, чтобы информировать пользователя об использовании энергии батарей для питания подключенного оборудования. Когда подключенные батареи израсходовали менее половины емкости, сигнал звучит каждые две секунды. Если израсходовано больше половины емкости батарей, сигнал звучит два раза в секунду. Когда батареи почти разряжены, силовой модуль ИБП будет сигнализировать непрерывно.

Чтобы отключить звуковой сигнал тревоги, нужно нажать кнопку «ON/MUTE».

Сообщения о перегрузке

Когда ИБП обнаруживает перегрузку выходных цепей, на ЖК дисплее будет показано следующее сообщение:

**OVERLOAD! (ПЕРЕГРУЗКА!)
LOAD (НАГРУЗКА) = XXX% X.XXXKW**

Затем ИБП начнет процедуру автоматического выключения. Если до завершения обратного отсчета ИБП все еще перегружен, то он автоматически перейдет в режим обходной цепи, чтобы защитить свой инвертор. Длительность обратного отсчета изменяется в зависимости от уровня перегрузки следующим образом:

Ситуация перегрузки	Длительность обратного отсчета
106% - 125%	1 минута
126% - 150%	30 секунд
>150%	Немедленно

Сообщения при работе в обход

Во время работы в режиме обходной цепи ИБП контролирует входное напряжение и передает его на подключенное оборудование. В режиме обходной цепи ИБП не может обеспечивать резервное питание от батарей.

Если выходное напряжение отклоняется от приемлемого значения (в пределах 15% выше и 20% ниже номинала), ИБП отображает состояние на ЖК дисплее и прекращает подачу питания на свою нагрузку. Если параметры питания возвращаются к приемлемому уровню, ИБП восстанавливает подачу питания к нагрузке, а на его ЖК дисплее появляется сообщение о том, что выходное напряжение однократно было слишком высоким или слишком низким, но вернулось к номинальному значению.

НАПРЯЖЕНИЕ ПРИ РАБОТЕ ОБХОДНОЙ ЦЕПИ	СООБЩЕНИЯ НА ЖК ДИСПЛЕЕ
Выше номинала >15%	BYPASS OUT OF VOLTAGE (ВЫХОД НАПРЯЖЕНИЯ ЗА ПРЕДЕЛЫ НОМИНАЛА) XXXV / XX.X HZ
Ниже номинала >20%	BYPASS OUT OF VOLTAGE (ВЫХОД НАПРЯЖЕНИЯ ЗА ПРЕДЕЛЫ НОМИНАЛА) XXXV / XX.X HZ

Сообщения при выключении

При обнаружении одного из следующих условий ИБП будет отключен и на ЖК дисплее будет отображаться соответствующее сообщение. Примечание: Во всех этих ситуациях светодиоды «Input», «Output» и «Bypass» будут гореть.

СИТУАЦИИ ДЛЯ ВЫКЛЮЧЕНИЯ	СООБЩЕНИЯ НА ЖК ДИСПЛЕЕСD
Длительная перегрузка	SHUT DOWN (ВЫКЛЮЧЕНИЕ) OVERLOAD (ПЕРЕГРУЗКА) XXX%
Короткое замыкание выходной цепи	SHUT DOWN (ВЫКЛЮЧЕНИЕ) O/P SHORT CIRCUIT (КОРОТКОЕ ЗАМЫКАНИЕ ВЫХОДНОЙ ЦЕПИ)
Команда дистанционного выключения (через порт DB9)	SHUT DOWN (ВЫКЛЮЧЕНИЕ) REMOTE COMMAND (ДИСТАНЦИОННАЯ КОМАНДА)
Команда дистанционного выключения (через порт EPO)	SHUT DOWN (ВЫКЛЮЧЕНИЕ) EMERGENCY STOP! (АВАРИЙНАЯ ОСТАНОВКА)
Внутренние ошибки	SHUT DOWN (ВЫКЛЮЧЕНИЕ) + DC BUS HIGH (ВЫСОКОЕ НАПРЯЖЕНИЕ НА ШИНЕ ПОСТОЯННОГО ТОКА)
	SHUT DOWN (ВЫКЛЮЧЕНИЕ) + DC BUS LOW (НИЗКОЕ НАПРЯЖЕНИЕ НА ШИНЕ ПОСТОЯННОГО ТОКА)
	SHUT DOWN (ВЫКЛЮЧЕНИЕ) - DC BUS HIGH (ВЫСОКОЕ НАПРЯЖЕНИЕ НА ШИНЕ ПОСТОЯННОГО ТОКА)
	SHUT DOWN (ВЫКЛЮЧЕНИЕ) - DC BUS LOW (НИЗКОЕ НАПРЯЖЕНИЕ НА ШИНЕ ПОСТОЯННОГО ТОКА)
	SHUT DOWN (ВЫКЛЮЧЕНИЕ) OVERTEMPERATURE (ПЕРЕГРЕВ)

Хранение и обслуживание

Хранение

Перед началом хранения ИБП он должен быть полностью выключен. Если предполагается хранение ИБП в течение длительного времени, нужно заряжать батареи ИБП от 4 до 6 часов один раз в три месяца. Примечание: после подключения ИБП к сети электропитания он автоматически начнет заряжать батареи. Если оставить батареи ИБП разряженными длительное время, они будут подвержены постоянной потере емкости.

Сервисное обслуживание

На продукцию компании Tripp Lite распространяется гарантия, описанная в данном руководстве. Также доступны различные программы продлеваемой гарантии и обследования на объекте от компании Tripp Lite. Для получения более подробной информации о сервисном обслуживании посетите веб-сайт компании www.tripplite.com/support. Перед возвратом продукции для обслуживания, выполните следующие шаги:

1. Просмотрите инструкции по установке и эксплуатации, изложенные в данном руководстве, чтобы убедиться, что проблемы происходят не из-за неправильного понимания инструкций.
2. Если проблема сохраняется, не обращайтесь и не возвращайте инвертор/зарядное устройство торговому посреднику. Вместо этого посетите веб-сайт www.tripplite.com/support.
3. Если для решения проблемы требуется ремонт, посетите веб-сайт www.tripplite.com/support и перейдите по ссылке Product Returns (возврат продукции). Здесь можно сделать запрос о номере разрешения на возврат (RMA), который необходим для ремонта. В этой простой интерактивной форме нужно будет заполнить номер модели устройства и его серийный номер, а также общую информацию о покупателе. Номер RMA вместе с инструкциями по отправке будет выслан по электронной почте. Любые повреждения (прямые, косвенные, умышленные или побочные) продукции, полученные в результате транспортировки в компанию Tripp Lite или в уполномоченный сервисный центр, гарантией не покрываются. Транспортировка продукции в компанию Tripp Lite или в авторизованный сервисный центр должна быть оплачена отправителем. На внешней стороне упаковки нанесите номер разрешения на возврат. Если продукт находится на гарантии, вложите копию чека или документа на приобретение. Доставку продукции для обслуживания осуществляйте через застрахованных перевозчиков по адресу, полученному вместе с разрешением на возврат.

Гарантийные обязательства

Ограниченная гарантия 2 года

Компания Tripp Lite гарантирует, что в ее продукции, включая батареи, отсутствуют дефекты в материалах и технологиях в течение двух лет от даты первой продажи. Через 90 дней после даты продажи обязательства компании Tripp Lite по этой гарантии ограничиваются заменой неисправных частей продукции. Чтобы получить обслуживание по этой гарантии, покупатель должен обратиться в компанию Tripp Lite или авторизованный сервисный центр Tripp Lite. Продукты должны быть доставлены в компанию Tripp Lite или авторизованный сервисный центр с полной оплатой услуг по транспортировке и должны сопровождаться коротким описанием проблем и документами, подтверждающими дату и место приобретения. Данная гарантия не распространяется на оборудование, которое было повреждено в результате несчастного случая, небрежности или неправильного использования или подверглось переделке или изменениям любого вида. Данная гарантия применяется только для первичного покупателя, который должен зарегистрировать продукт в течение 10 дней после приобретения.

Гарантийные обязательства компании Tripp Lite по всем ее устройствам подавления выбросов напряжения будут аннулированы и станут недействительными, если устройства были подключены к выходу любой системы ИБП. Гарантийные обязательства компании Tripp Lite по всем ее системам ИБП будут аннулированы и станут недействительными, если к выходу системы ИБП было подключено устройство подавления выбросов напряжения.

КОМПАНИЯ TRIPP LITE НЕ ВЫРАЖАЕТ НИКАКИХ ГАРАНТИЙ, КРОМЕ ПРИВЕДЕННЫХ ЗДЕСЬ, ЯВНЫХ ИЛИ ПОДРАЗУМЕВАЕМЫХ, ВКЛЮЧАЯ ГАРАНТИИ ПРИГОДНОСТИ К ПРОДАЖЕ И ГОДНОСТИ ДЛЯ КОНКРЕТНОГО ПРИМЕНЕНИЯ. В некоторых штатах не допускаются ограничения или исключения подразумеваемых гарантий; поэтому вышеуказанные ограничения или исключения могут не относиться к покупателю.

ЗА ИСКЛЮЧЕНИЕМ УКАЗАННОГО ВЫШЕ, КОМПАНИЯ TRIPP LITE НИ В КАКОМ СЛУЧАЕ НЕ НЕСЕТ ОТВЕТСТВЕННОСТИ ЗА ПРЯМОЙ, НЕПРЯМОЙ, УМЫШЛЕННЫЙ, СЛУЧАЙНЫЙ ИЛИ ПОБОЧНЫЙ УЩЕРБ, ВЫТЕКАЮЩИЙ ИЗ ИСПОЛЬЗОВАНИЯ ДАННОГО ПРОДУКТА, ДАЖЕ ЕСЛИ ИЗВЕЩЕНА О ВОЗМОЖНОСТИ ТАКОГО УЩЕРБА. В частности, компания Tripp Lite не несет ответственности за любые расходы, такие как упущенная выгода или доход, утрата оборудования, потери от простоя оборудования, потеря программного обеспечения, потеря данных, затраты на замену, претензии третьих сторон и прочие.

Идентификационные номера, свидетельствующие о соответствии нормативным требованиям

С целью идентификации, а также сертификации соответствия нормативным требованиям, приобретенному Вами изделию компании Tripp Lite присвоен уникальный серийный номер. Серийный номер, вместе со всей необходимой информацией и маркировкой об одобрении, указан на ярлыке изготовителя, прикрепленном к изделию. При запросе информации о соответствии нормативным требованиям всегда сообщайте серийный номер изделия. Не следует путать серийный номер с маркой или номером модели изделия.

Информация для клиентов компании Tripp Lite о соблюдении требований директивы ЕС об отходах электрического и электронного оборудования (WEEE)

Согласно директиве ЕС об отходах электрического и электронного оборудования (WEEE) и применимым нормам в случаях, когда покупатели приобретают новое электрическое и электронное оборудование компании Tripp Lite, они имеют право на следующее:

- Отправку старого оборудования, которое является эквивалентным по количеству и идентичным полученному новому оборудованию, на утилизацию (это условие может отличаться в зависимости от страны)
- Отправку нового оборудования обратно на утилизацию, когда оно в конечном итоге становится изношенным

Политика компании Tripp Lite направлена на постоянное улучшение качества продукции и услуг. Спецификации могут быть изменены без уведомления.



1111 W. 35th Street, Chicago, IL 60609 USA
www.tripplite.com/support