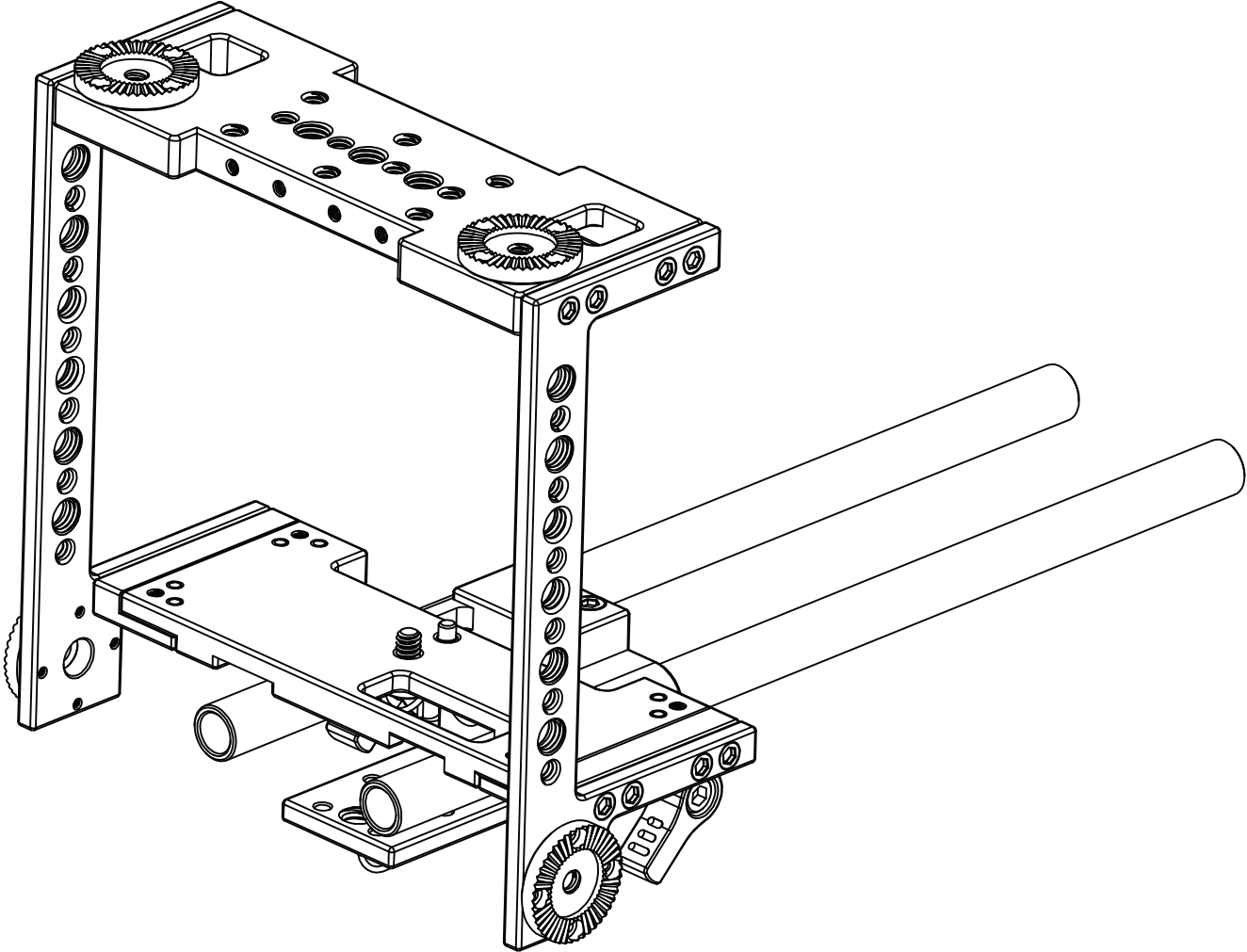


ELE-BMC-C

Blackmagic Cage Quickstart Guide



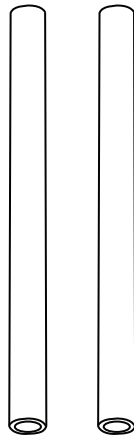
ELE-BMC-C

Blackmagic Cage Quickstart Guide

What's included



- 1 x Baseplate
(SBP-03, 4-Rosettes, 2-Adj. Thumbscrews,
Registration Pin, Numerous 1/4x20 and 3/8x16 Mounting
Points on Top and Side Plates)



- 2 x 12" Rod
(ELE-15R12)



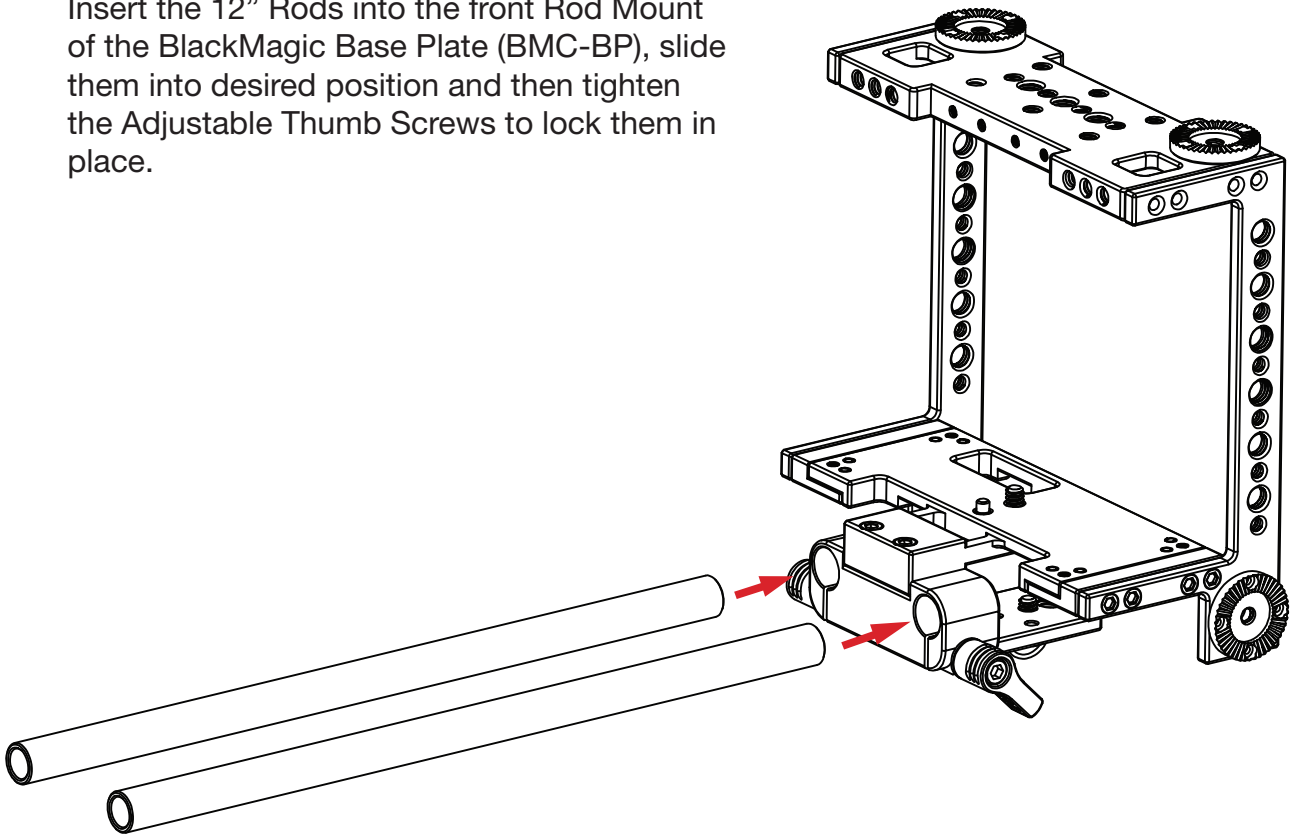
- 1 x DRS-01

ELE-BMC-C

Blackmagic Cage Quickstart Guide

STEP 1

Insert the 12" Rods into the front Rod Mount of the BlackMagic Base Plate (BMC-BP), slide them into desired position and then tighten the Adjustable Thumb Screws to lock them in place.

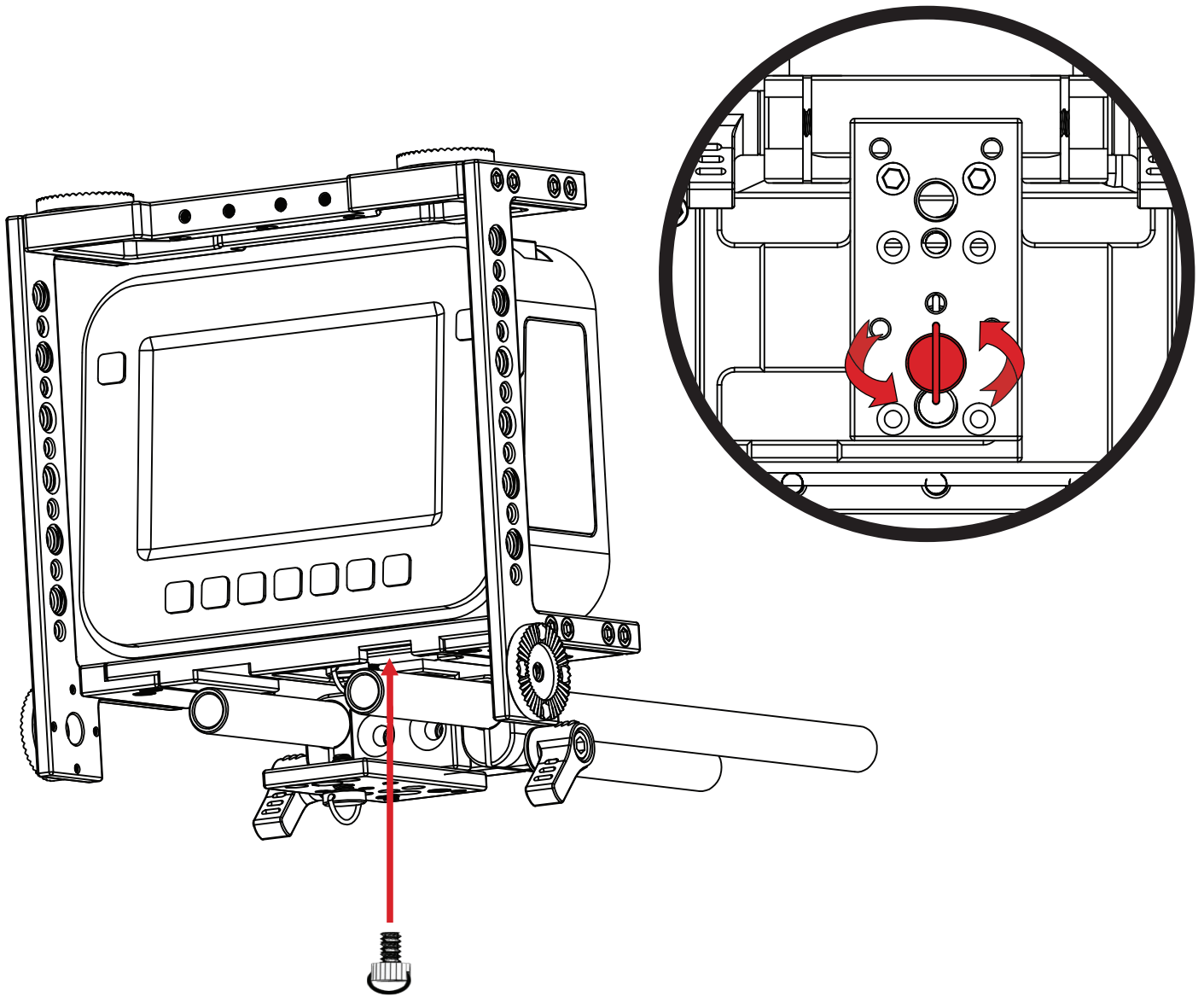


ELE-BMC-C

Blackmagic Cage Quickstart Guide

STEP 2

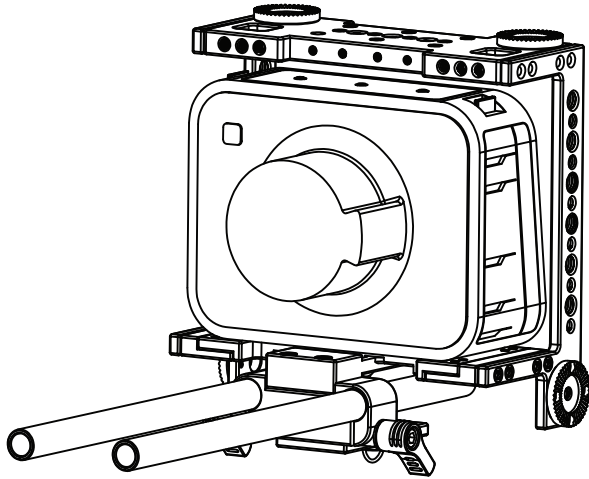
Mount the Rosette Grip Handle with two screws to the top of your Cinema Camera. Note that the rosette grip handles can turn 360 degrees. Simply loosen the thumb screw, move it to desired position and then tighten the thumb screw.



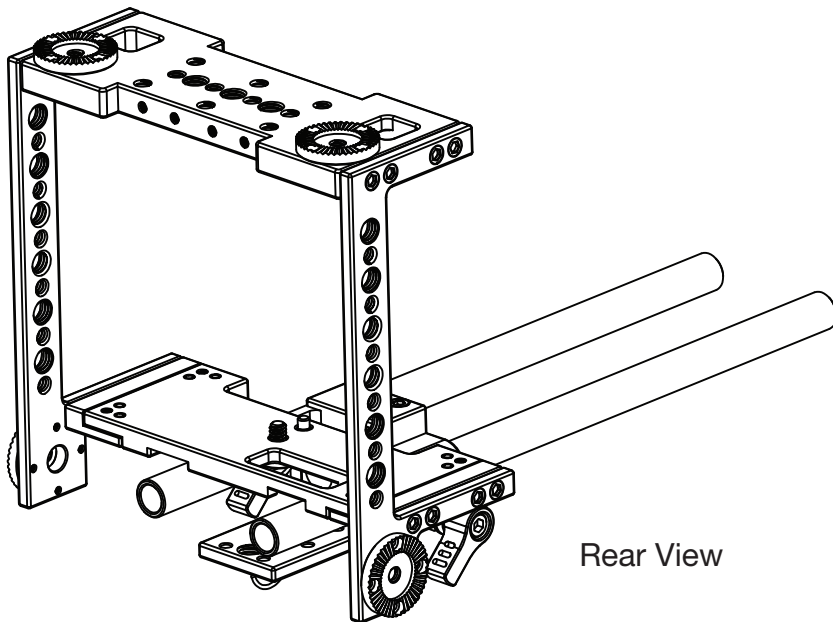
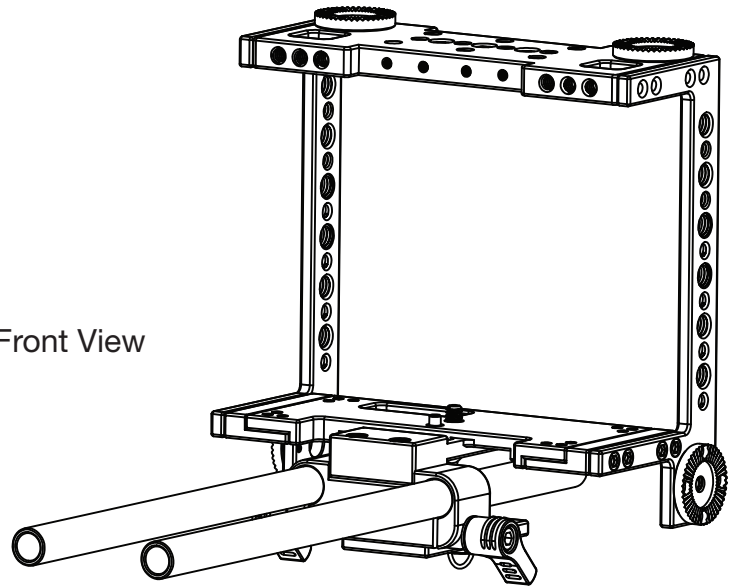
ELE-BMC-C

Blackmagic Cage Quickstart Guide

COMPLETE ASSEMBLY



Front View



Rear View

