

ELE-CNFLY

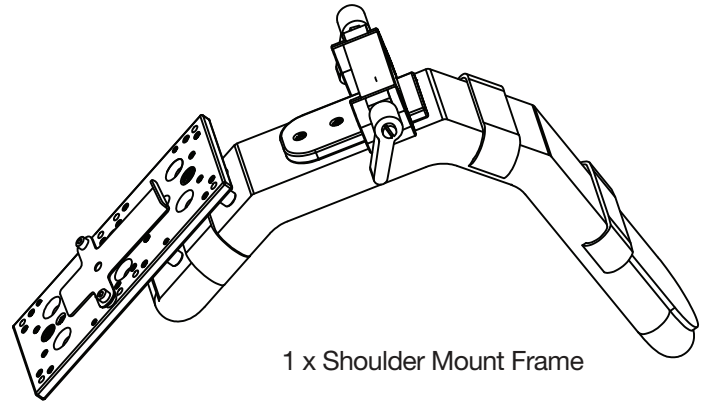
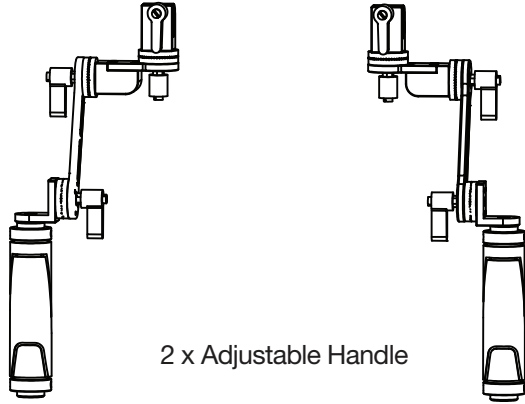
CineFly Cinema Camera Shoulder Rig QUICKSTART GUIDE



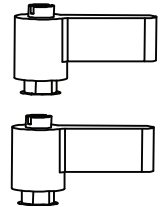
ELE-CNFLY

CineFly Cinema Camera Shoulder Rig QUICKSTART GUIDE

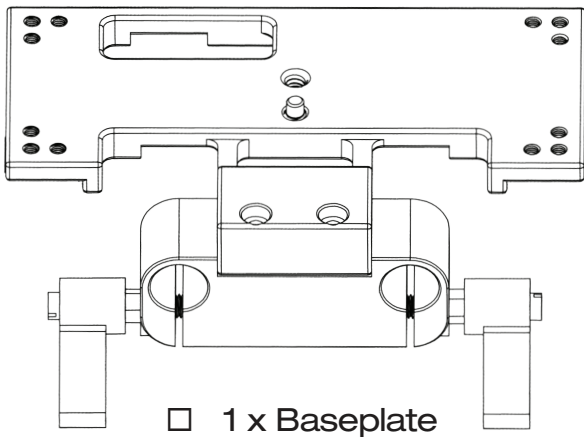
What's included



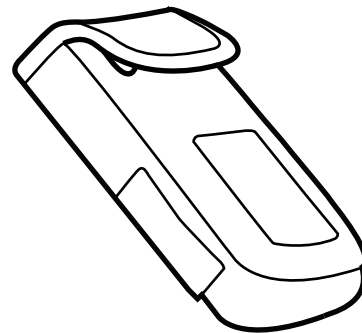
1 x Cross Bar with 2 Rod Mounts



□ 2 x ATS Adjustable Thumb Screws



□ 2 x 18" Rod (ELE-15R18)



□ 1 x DRS-01

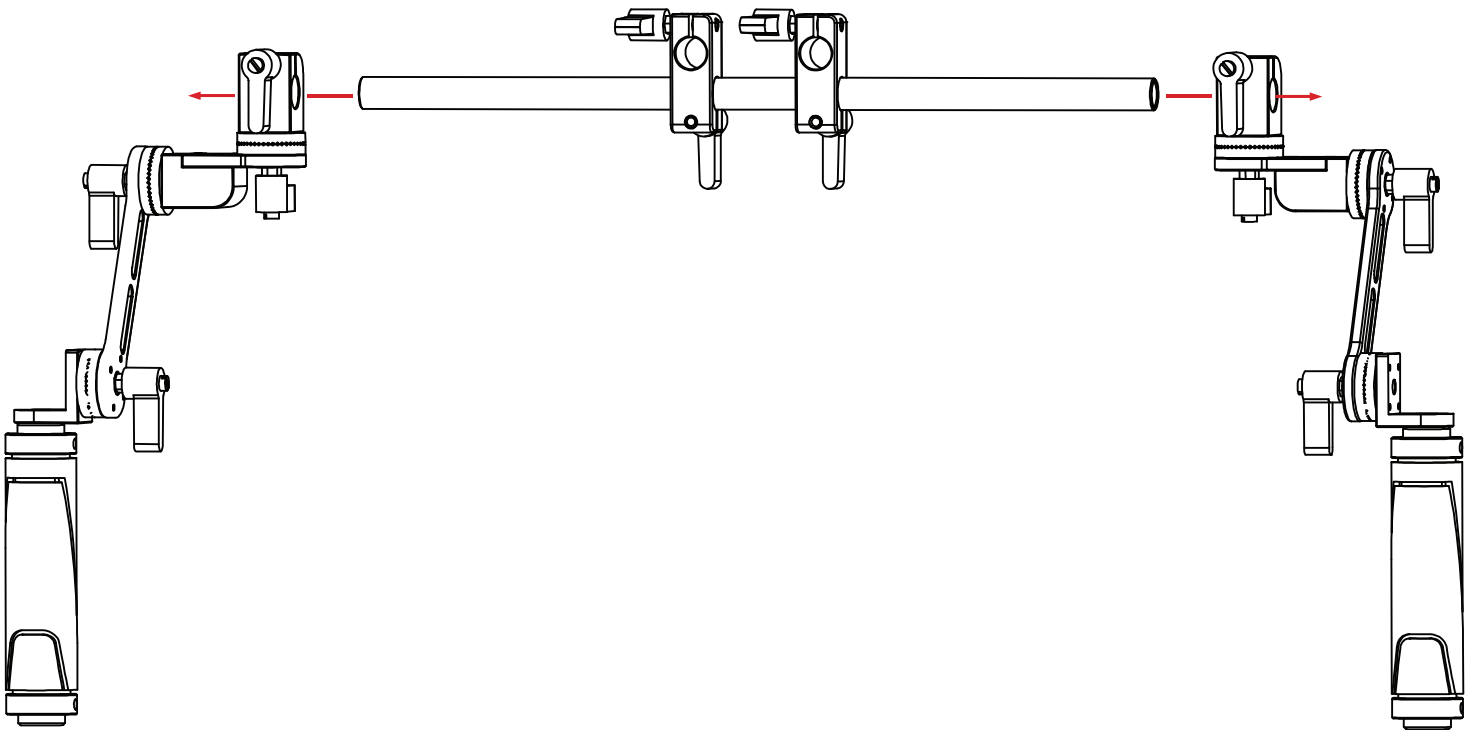
ELE-CNFLY

CineFly Cinema Camera Shoulder Rig QUICKSTART GUIDE

Assembling your CineFly Shoulder Rig is quick and easy, since the majority of the rig has already been pre-assembled for you.

STEP 1

Insert the adjustable rosettes grip arms onto the sides of the 12" rod, position the arms as desired and tighten the thumb screws accordingly.

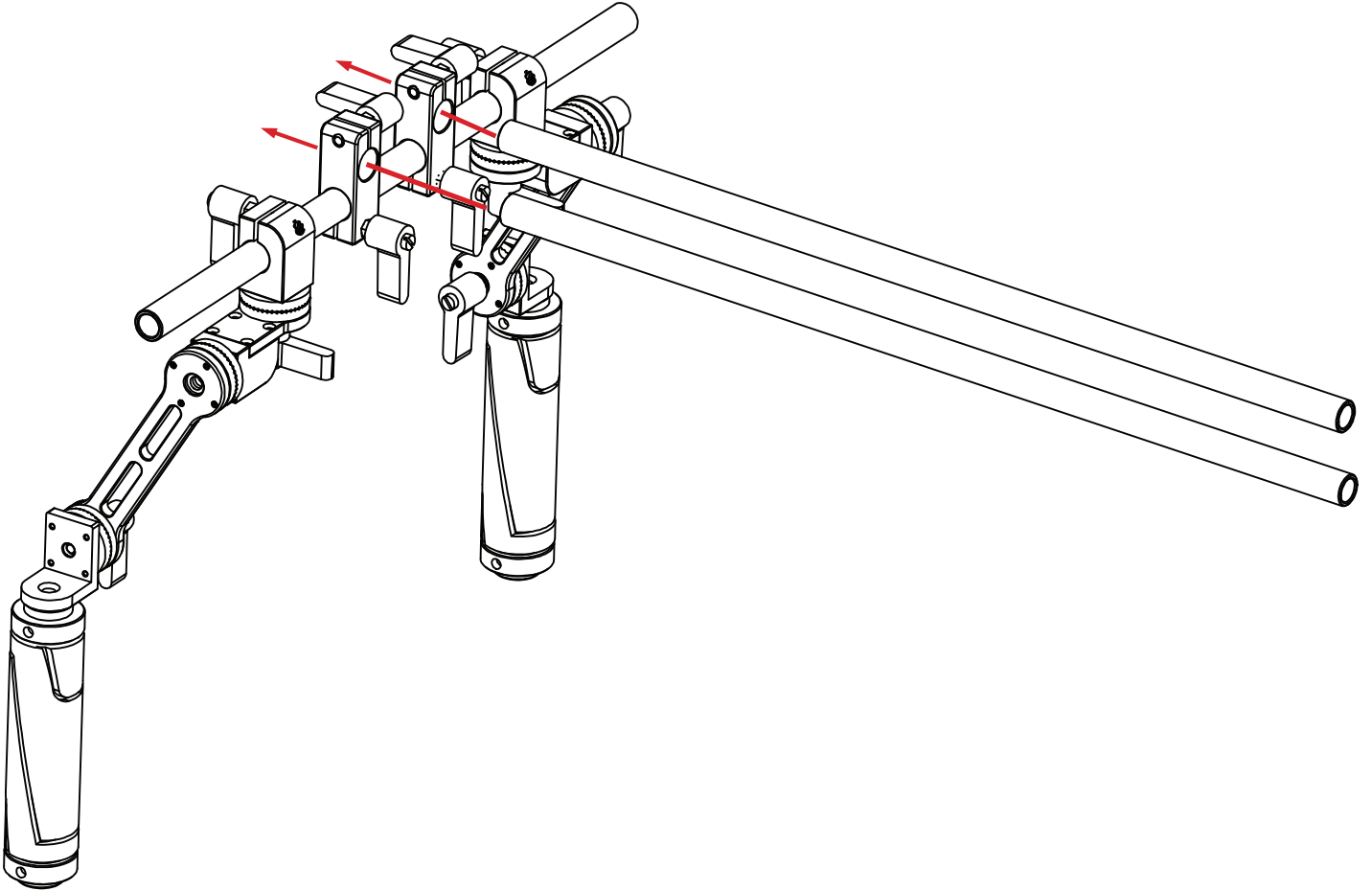


ELE-CNFLY

CineFly Cinema Camera Shoulder Rig QUICKSTART GUIDE

STEP 2

Slide two 18" rods through the backends of the Crossblocks (4) and slide the other side of the 12' rods into the BlackMacig Baseplate (ELE-BMC-BP). Tighten the thumb screws.

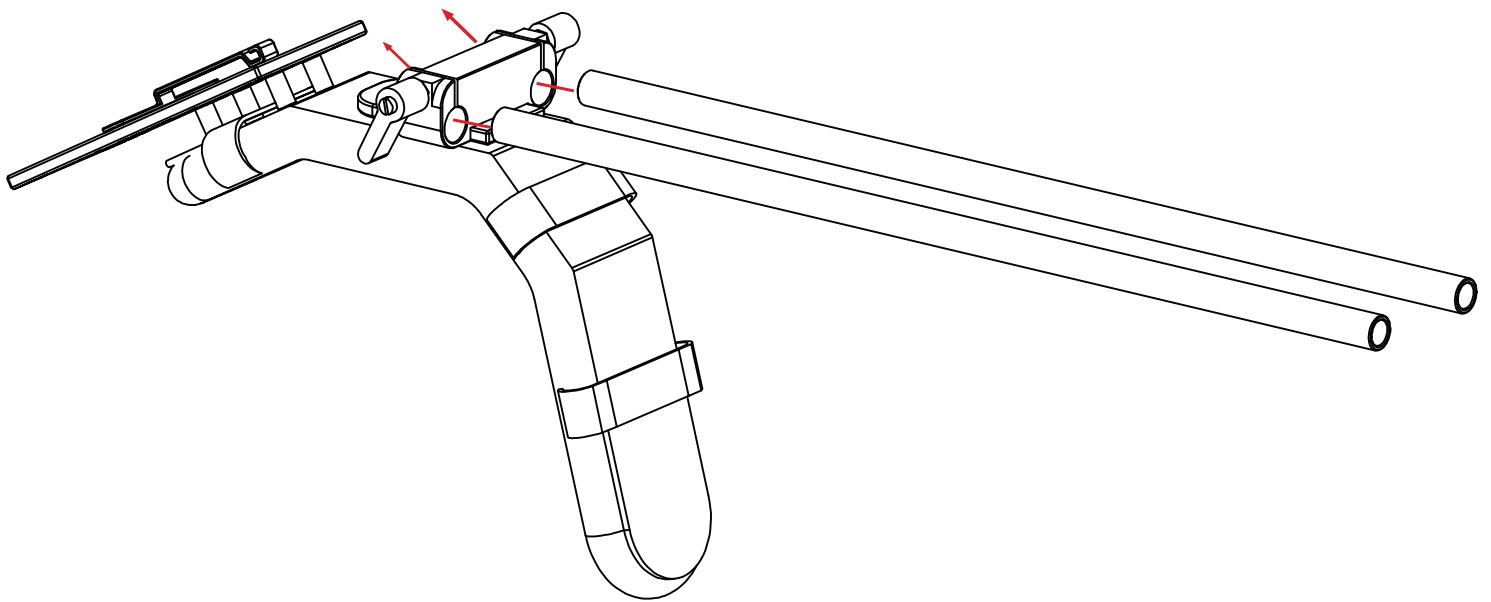


ELE-CNFLY

CineFly Cinema Camera Shoulder Rig QUICKSTART GUIDE

STEP 3

Continue by sliding the 12' rods through the front holes of the Shoulder Mount and tighten.

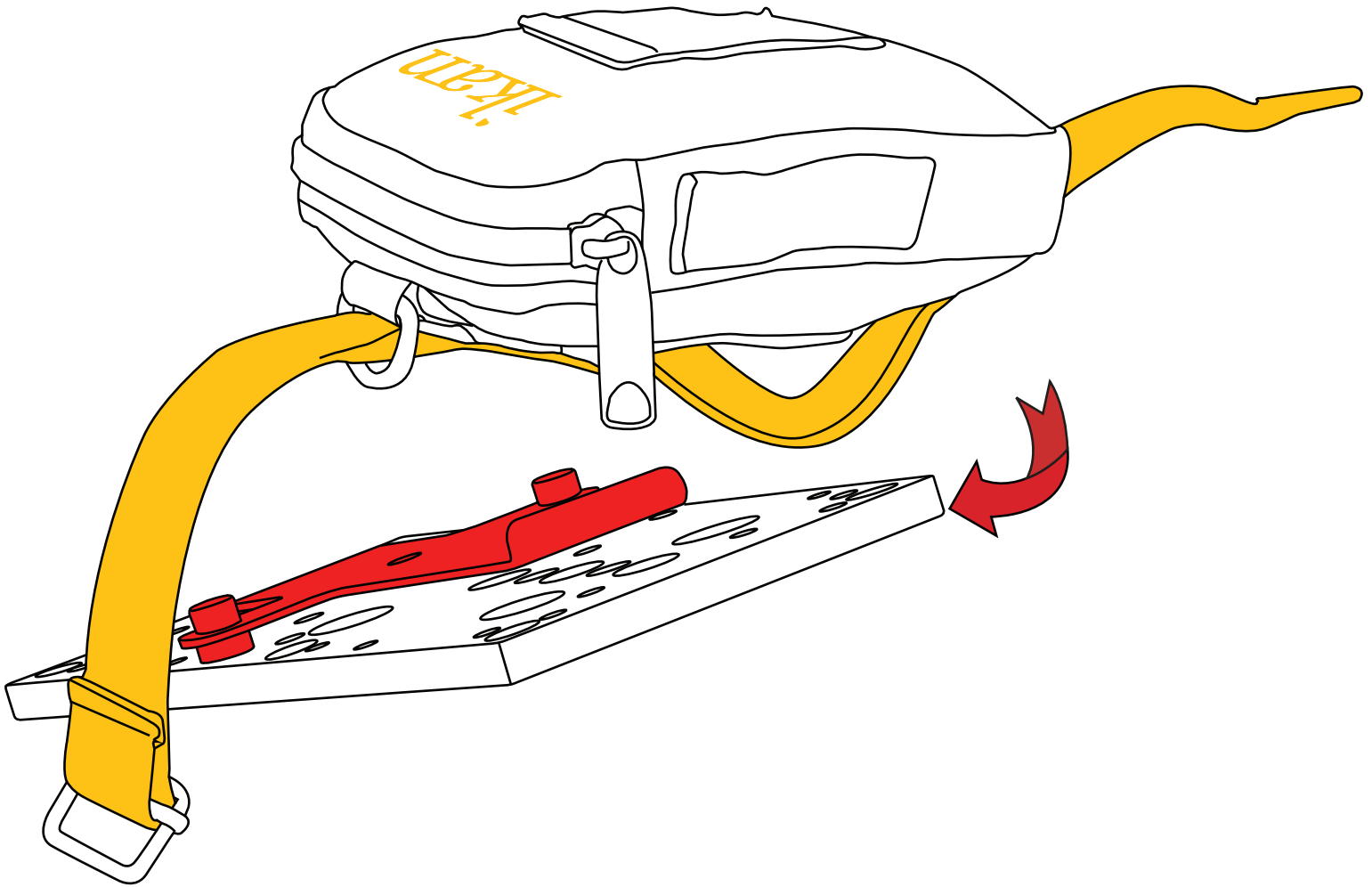


ELE-CNFLY

CineFly Cinema Camera Shoulder Rig QUICKSTART GUIDE

STEP 4

Finally, secure the Weightbag (ELE-WB) onto the Double Cheeseplate.



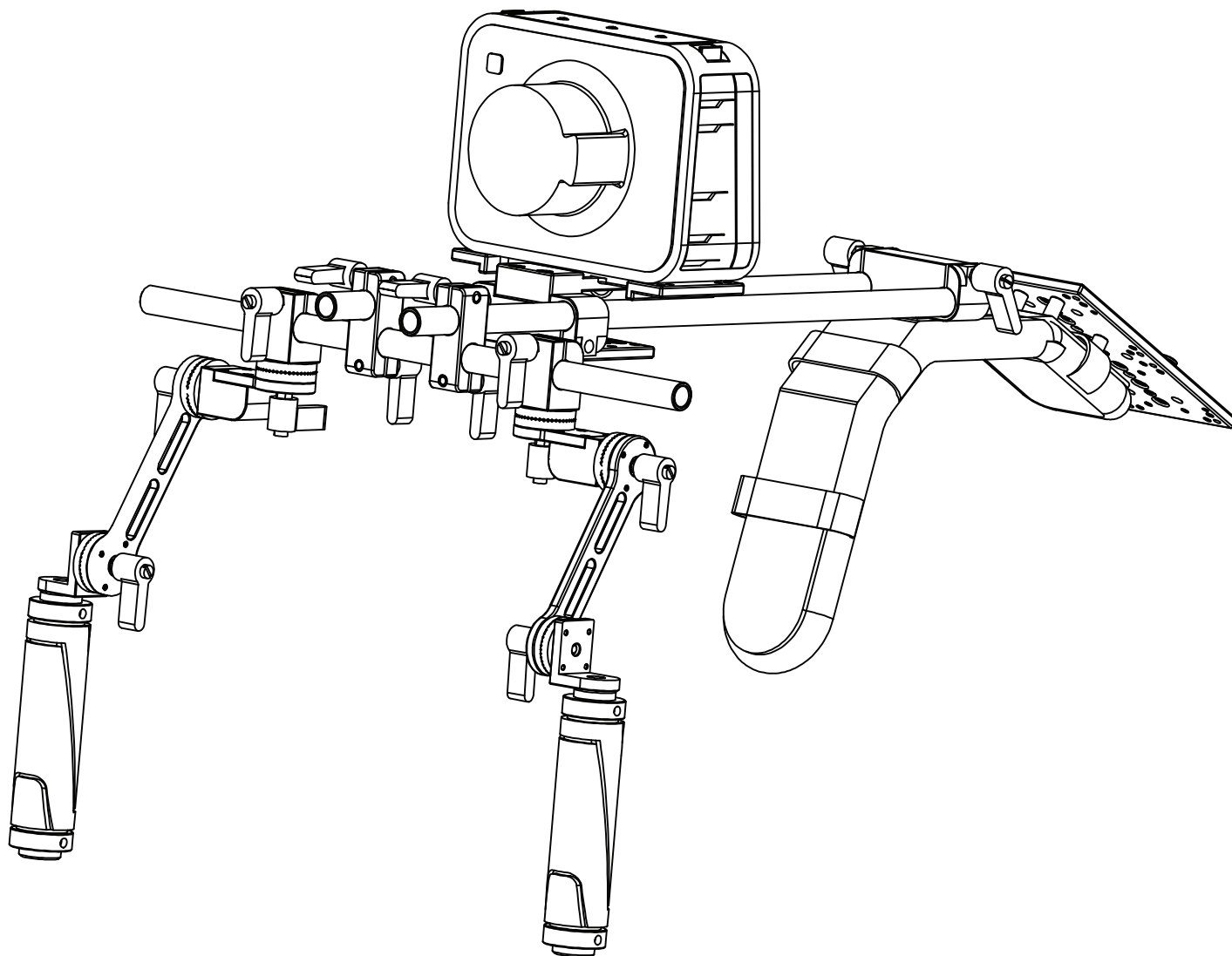
WEIGHTS NOT INCLUDED

Please be aware that your weight bag does not come with its own weights.

ELE-CNFLY

CineFly Cinema Camera Shoulder Rig QUICKSTART GUIDE

COMPLETE ASSEMBLY



ikan

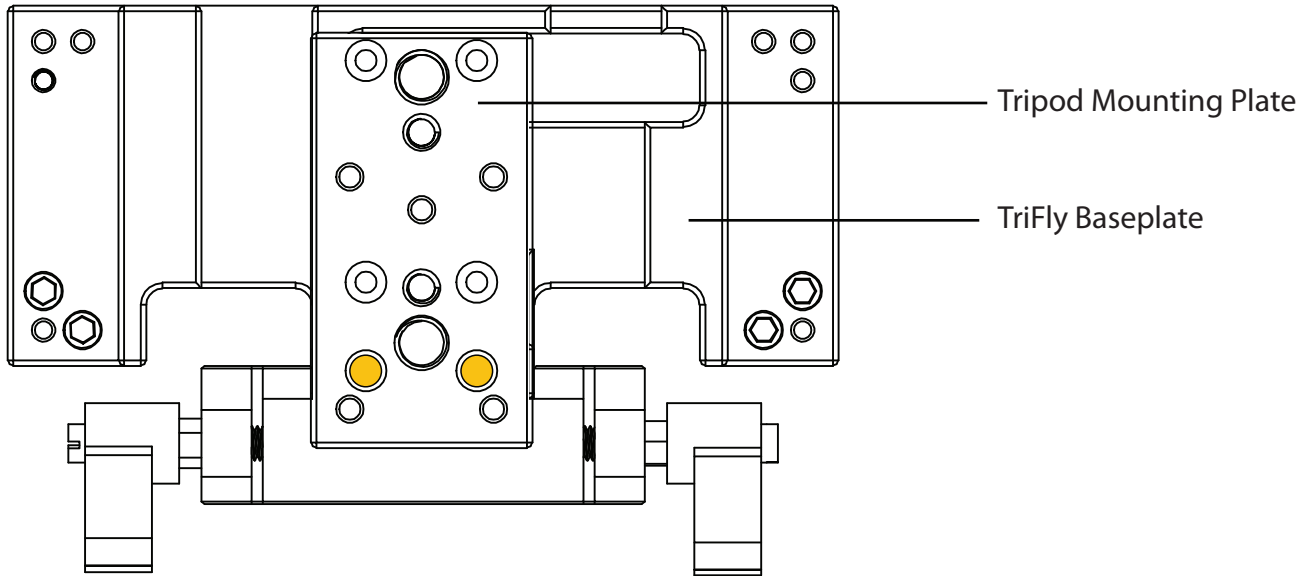
www.ikancorp.com

713-272-8822

ELE-CNFLY

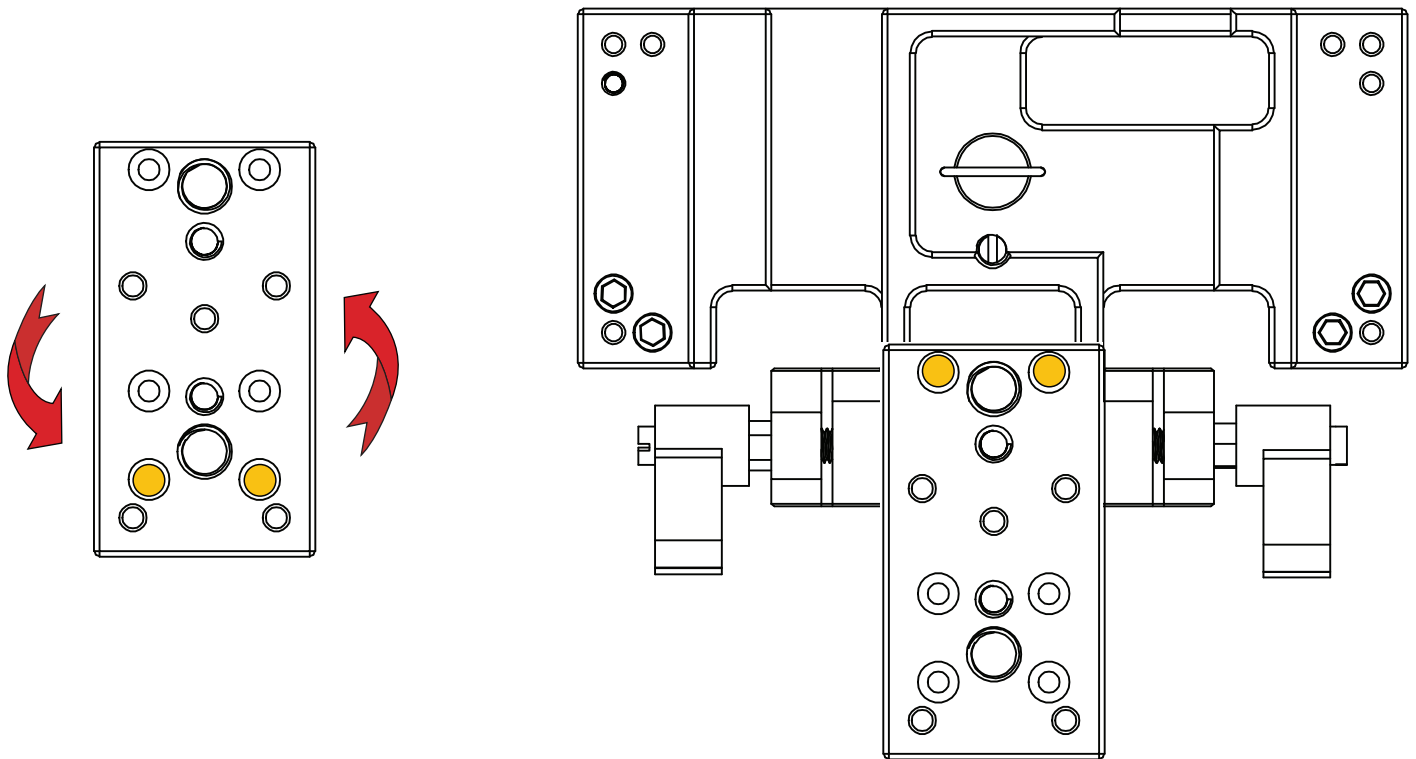
CineFly Cinema Camera Shoulder Rig QUICKSTART GUIDE

Bottom View of Baseplate



Optional configurations for tripod mounting plate:

Unscrew the tripod mounting plate from the TriFly baseplate and turn it 180° and screw back in. This will give you easier access to the D-Ring to mount or loosen your camera.



ikan

www.ikancorp.com

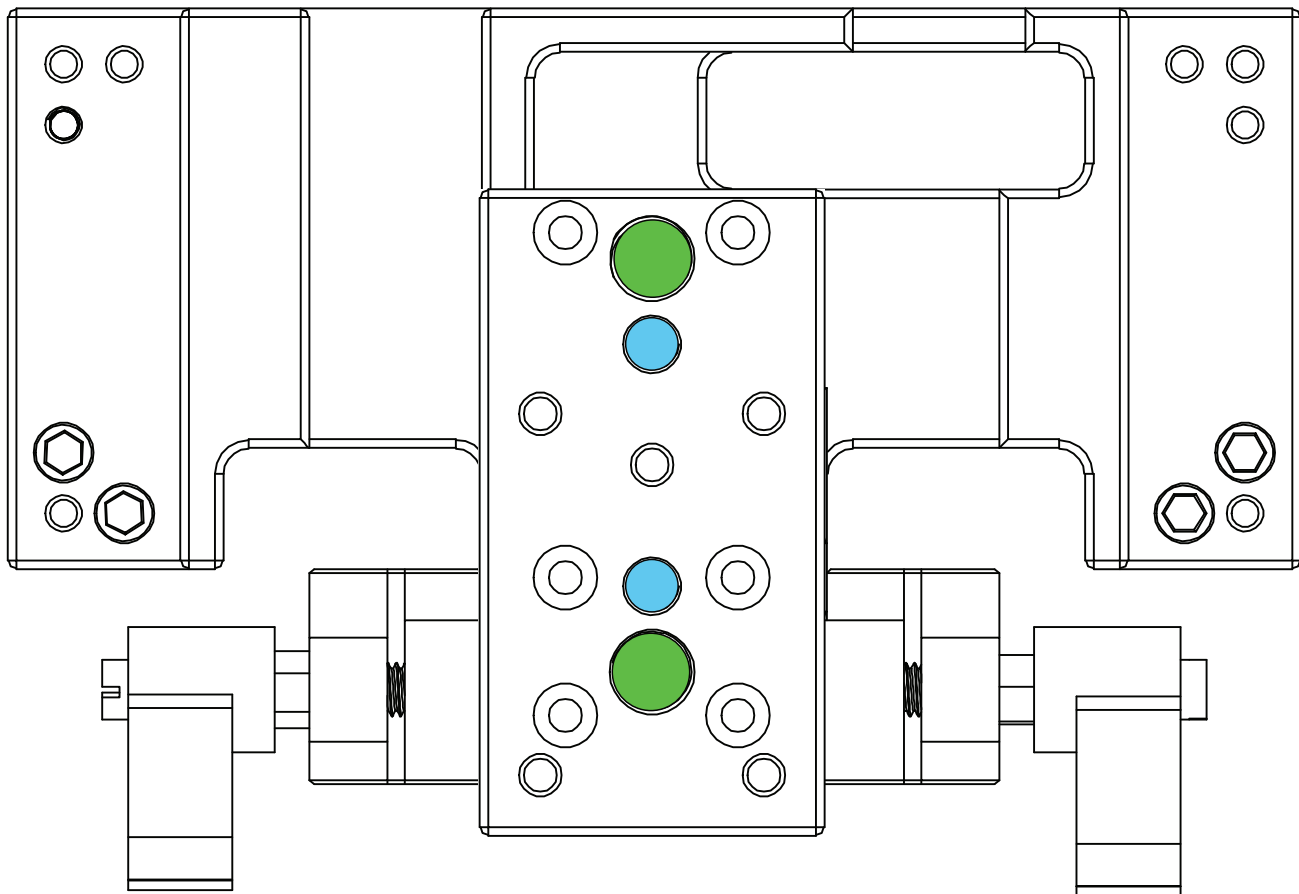
713-272-8822

ELE-CNFLY

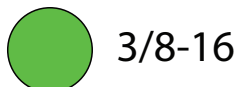
CineFly Cinema Camera Shoulder Rig QUICKSTART GUIDE

BASE PLATE ATTACHMENT POINTS

There are a total of four threaded attachment points for your base plate; two 3/8-16 and two 1/4-20 threaded holes for you to choose from. Simply tighten the screw from your base plate into the appropriate hole for easy mounting and unmounting from your tripod's quick release.



Screw thread sizes



3/8-16



1/4-20