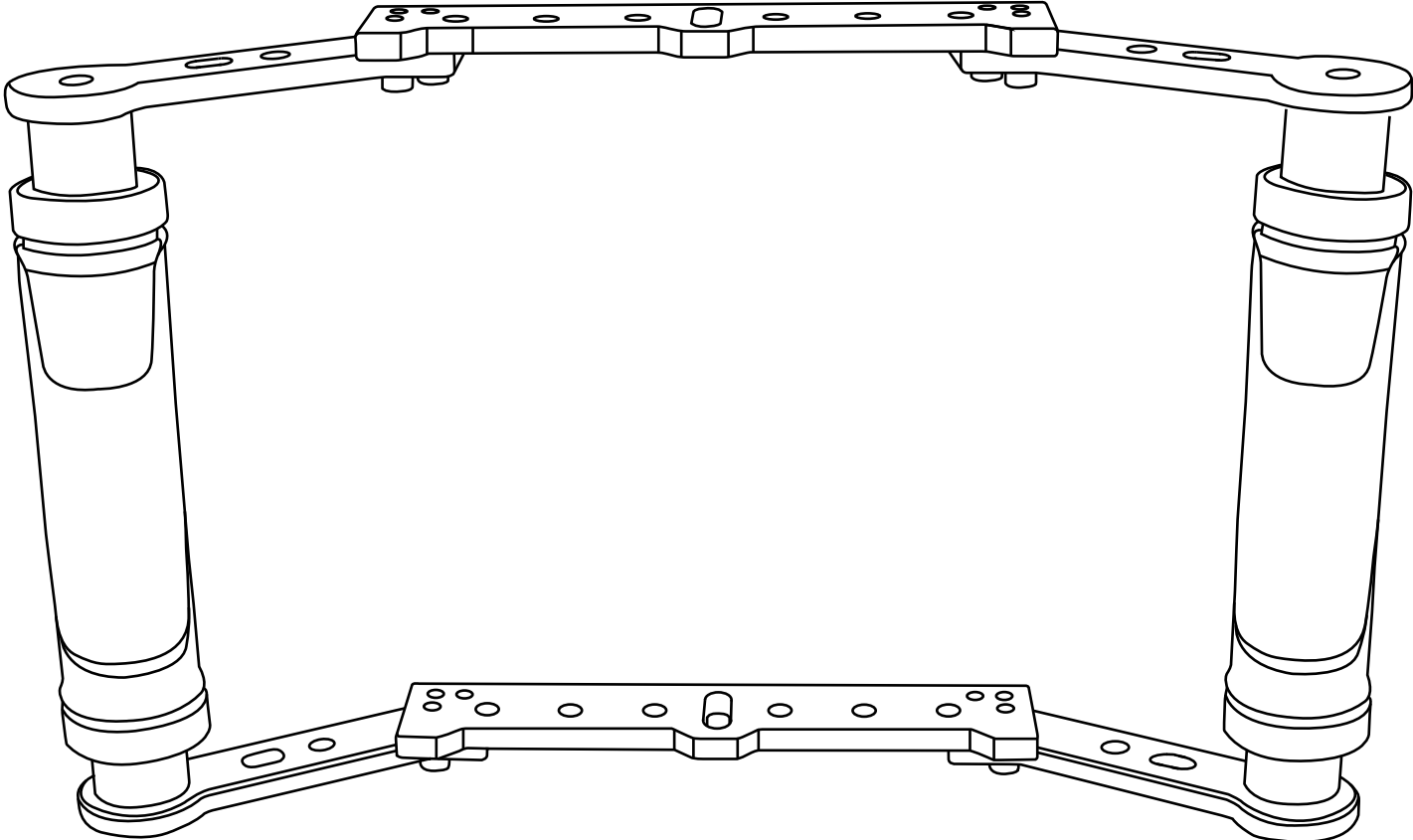


EV2 Dragon Fly

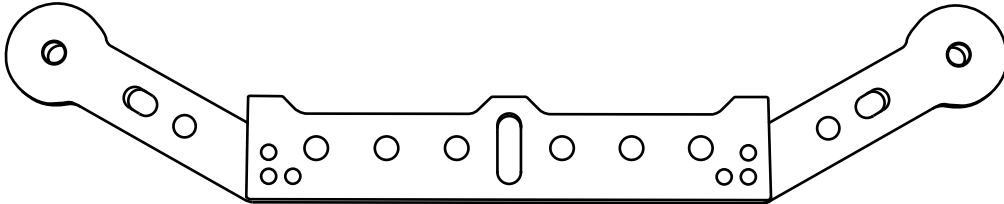
EV2 Dragon Fly QUICKSTART GUIDE



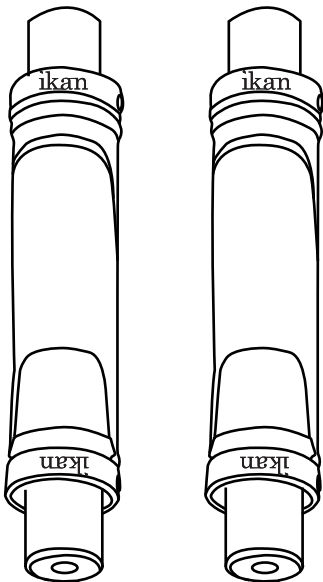
EV2 Dragon Fly

EV2 Dragon Fly QUICKSTART GUIDE

What's included



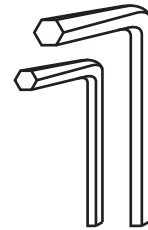
- 2 x ELE-BXT, 4 x ELE-HDLE



- 2 x Handle Bar 160



- 1 x DRS-01



- 1 x HEX KEY 2.5mm
- 1 x HEX KEY 5/32 inch



- 4 x 1/4-20-3/4 inch
Socket Head Screw

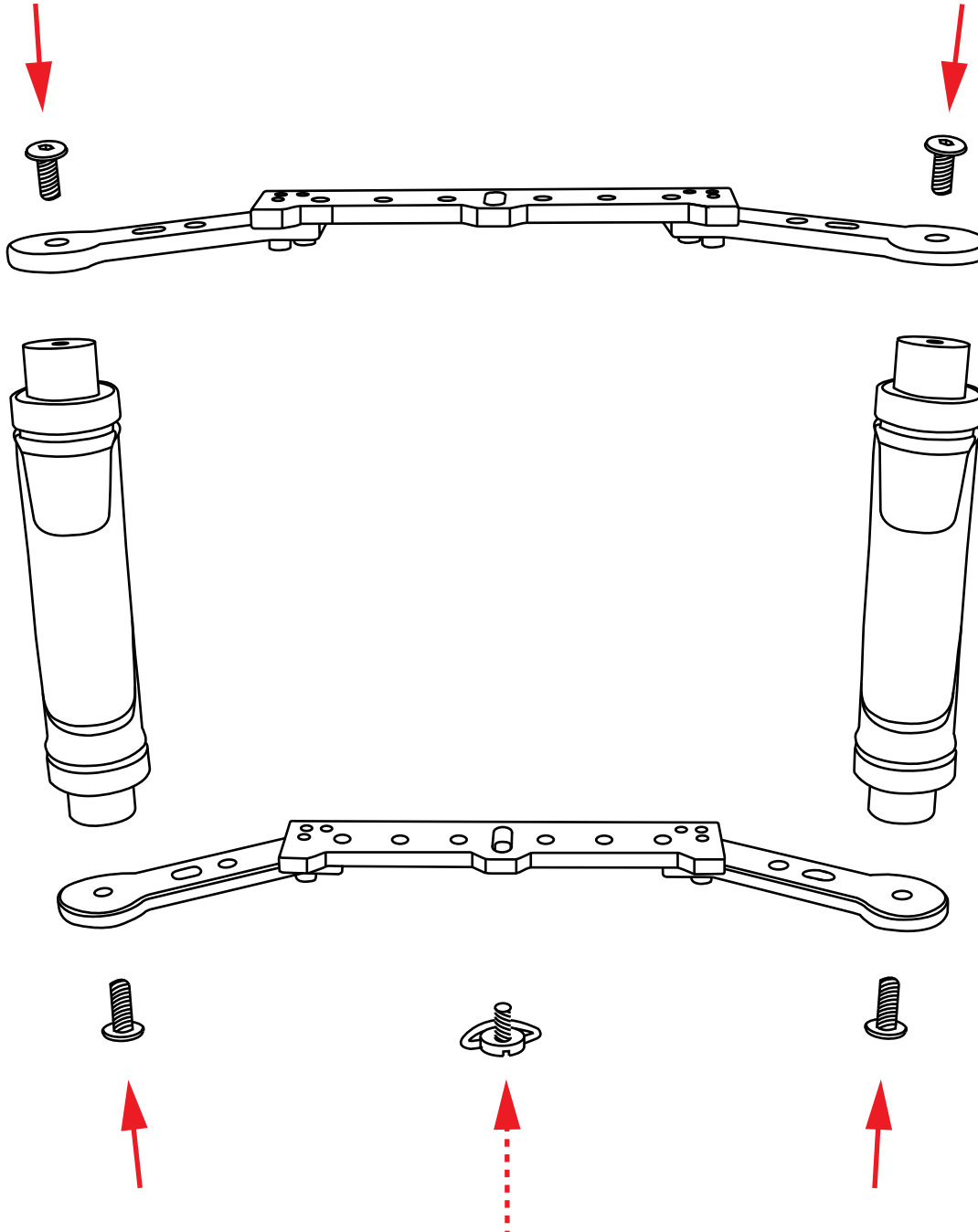
Checked by

EV2 Dragon Fly

EV2 Dragon Fly QUICKSTART GUIDE

PRODUCT ASSEMBLY

Assembling your EV2 Deluxe Fly is quick and easy, since the majority of the rig has already been pre-assembled for you. Line up the holes on the Handle Bars with the holes of the Handle Arms, insert the 1/4-20 Screws and tighten using the included Hex Key. Next, attach your camera to the bottom Plate, using the D-Ring, and tighten securely.



EV2 Dragon Fly

EV2 Dragon Fly QUICKSTART GUIDE

MOUNTING POINTS

There are numerous 1/4-20 mounting points located throughout the top and bottom plates of the EV2 Dragon Fly, which allows for many mounting and positioning options for your accessories, including on-camera lights, video monitors, and audio solutions.



ikan

www.ikancorp.com

713-272-8822