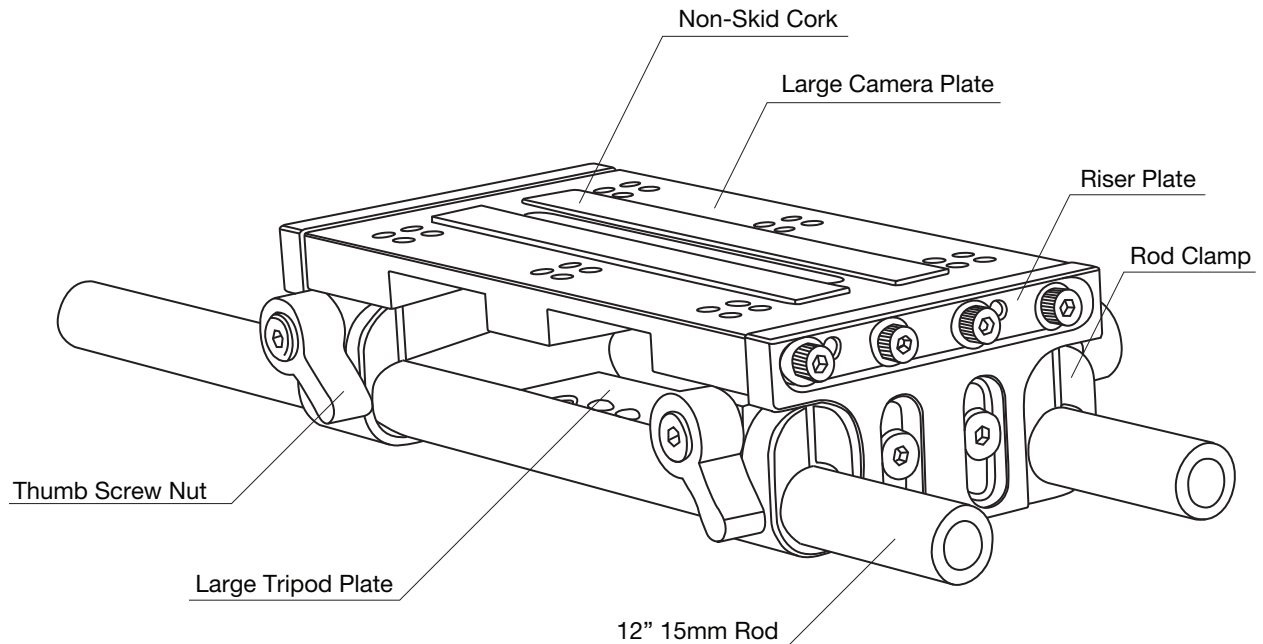


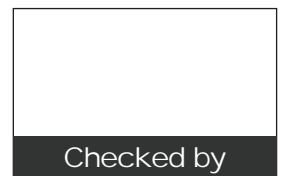
# ELE-LBP (EV2 Adjustable Camcorder Baseplate)

## QUICKSTART GUIDE



## Whats included

- Component Listing
  - 2 x Riser Plate (ELE-LBP-02)
  - 2 x Rod Clamp (ELE-LBP-01)
  - 1 x Large Camera Plate (ELE-LBP-04)
  - 1 x Large Tripod Plate (ELE-LBP-03)
  - Pair of 12" 15mm Rod (ELE-15R12)
  - 4 x Thumb Screw Nut (Ikan-TS)
- D-Ring Screws (DRS-01)
- Non-Skid Cork



### CONDITIONS OF WARRANTY SERVICE

- Free service for one year from the day of purchase if the problem is caused by manufacturing errors.
- The components and maintenance service fee will be charged if the warranty period has expired.

Free Service will not be Provided in the Following Situations: (\*\* Even if the product is still within the warranty period.)

- Damage caused by abuse or misuse, dismantling, or changes to the product not made by the company.
- Damage caused by natural disaster, abnormal voltage, and environmental factors etc.

ikan

www.ikancorp.com

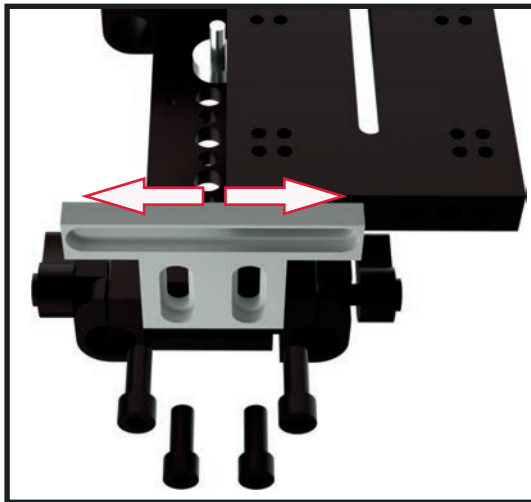
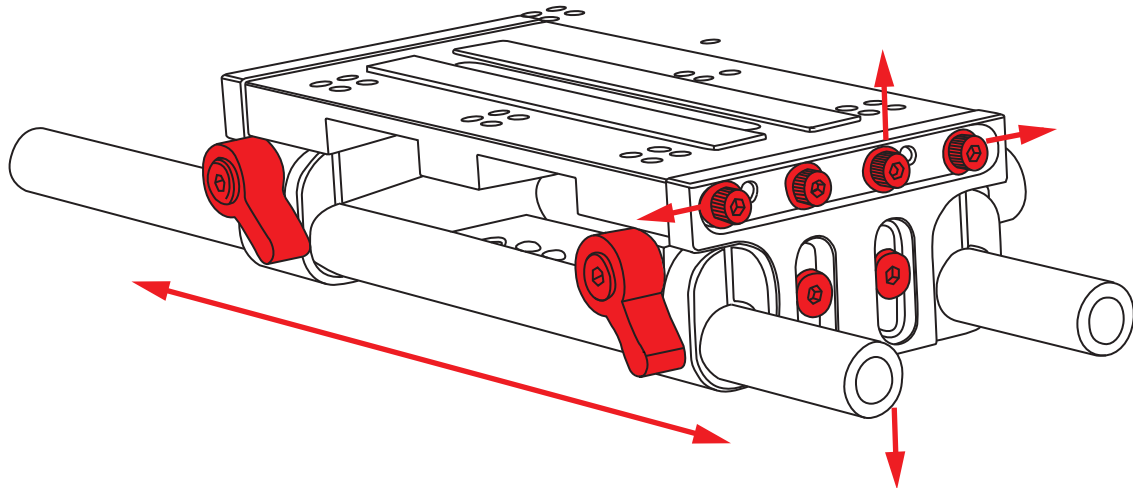
713-272-8822

# ELE-LBP (EV2 Adjustable Camcorder Baseplate)

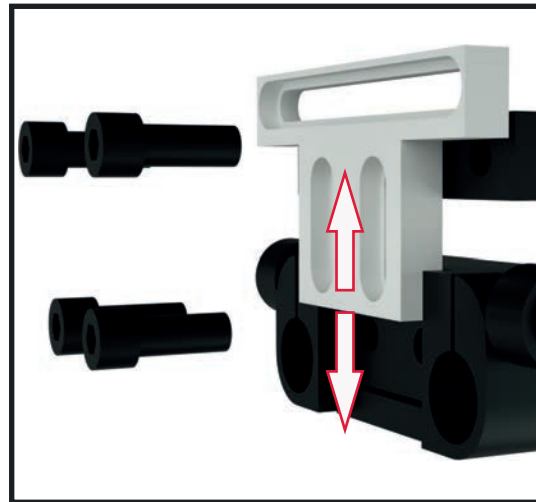
## QUICKSTART GUIDE

### ADJUSTMENT POINTS

1. Numerous Adjustment Points allow for precise positioning modifications.  
Loosen Thumb Screws to move forward/backwards along 12" Rods.  
Loosen Hex Screws to make vertical and horizontal adjustments.



Adjustable Left and Right



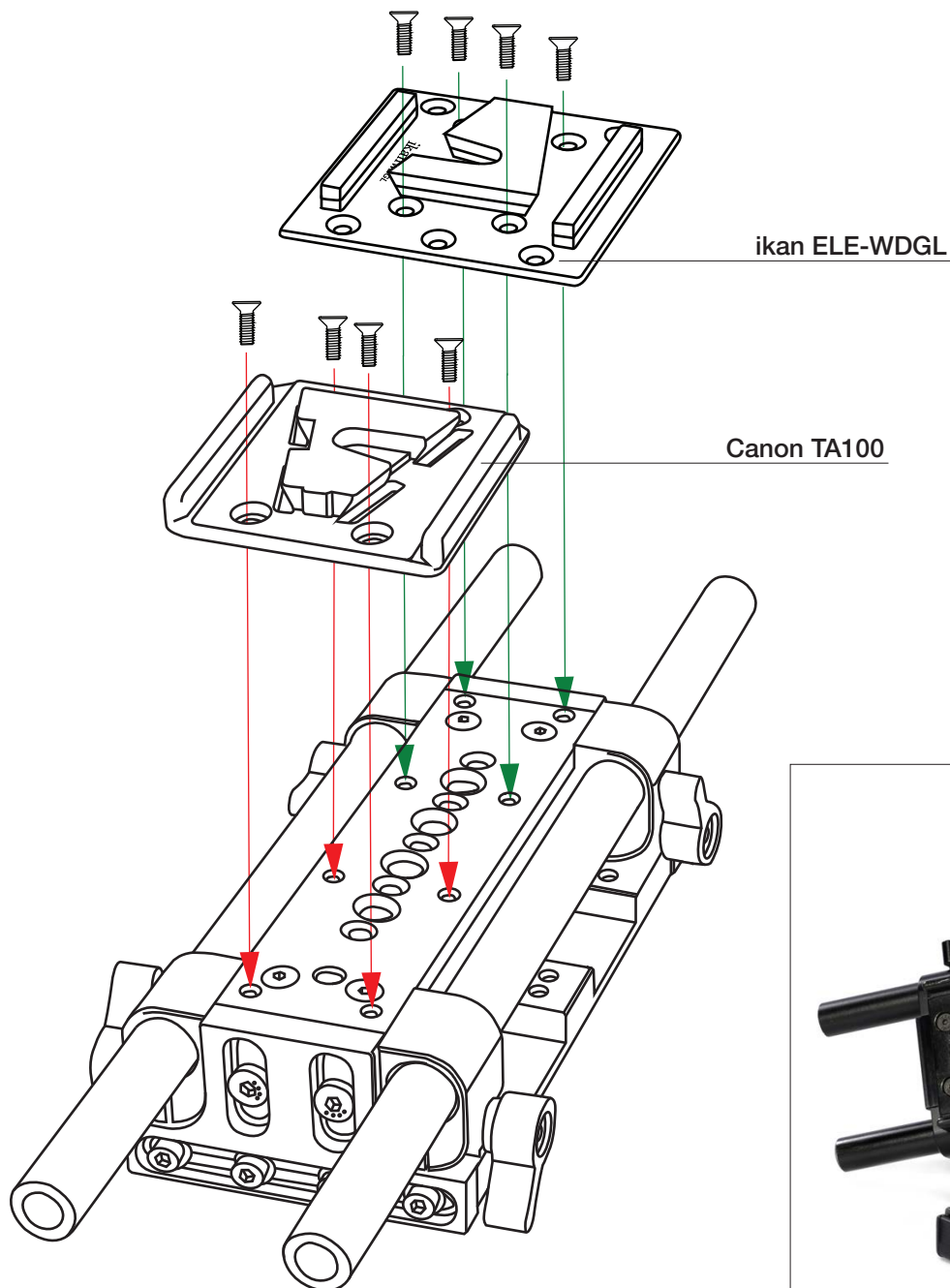
Adjustable Up and Down

# ELE-LBP (EV2 Adjustable Camcorder Baseplate)

## QUICKSTART GUIDE

### QUICK RELEASE MOUNTING OPTIONS

1. The ELE-LBP is compatible with both the Canon TA100 and ikan ELE-WDGL Tripod Adapter Systems. Simply mount your Quick Release Plate to the bottom of the ELE-LBP component on the appropriate end, using four (4) Socket Head Countersink Screws.



ikan