

# PBK-S-X

## Pro Battery Adapter Kit for V-Mount w/ XLR P-Tap QUICKSTART GUIDE



### What's included

- M-S Battery Plate
- Pro Adapter Plate
- 4 x M4x.07 x 8mm Metric Socket Head Screw
- Hex Key
- XLR Power Tap Cable

Checked by

### CONDITIONS OF WARRANTY SERVICE

- Free service for one year from the day of purchase if the problem is caused by manufacturing errors.
- The components and maintenance service fee will be charged if the warranty period has expired.

Free Service will not be Provided in the Following Situations: (\* Even if the product is still within the warranty period.)

- Damage caused by abuse or misuse, dismantling, or changes to the product not made by the company.
- Damage caused by natural disaster, abnormal voltage, and environmental factors etc.

# PBK-S-X

## Pro Battery Adapter Kit for V-Mount w/ XLR P-Tap QUICKSTART GUIDE

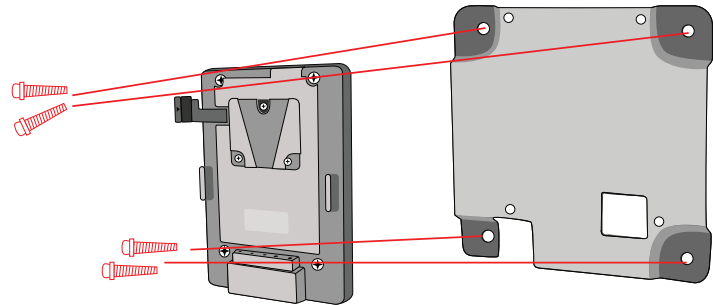
**1** Secure both plates with Phillips Head screws.

Additional Tool Needed:  
Phillips Head Screwdriver

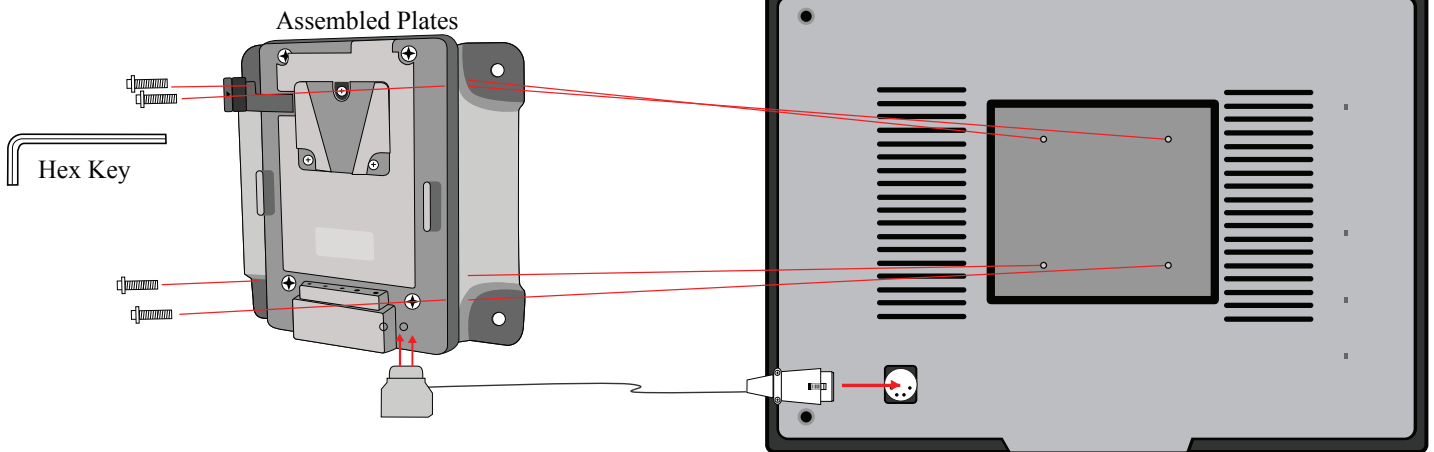


M-S Battery Plate

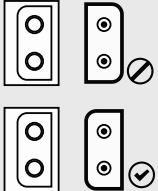
Pro Adapter Plate



**2** Attach the assembled plates to the monitor with M4x.07 x 8mm Metric Socket Head Screws. And, connect the XLR to Power Tap Cable.



Battery Plate Connector



**NOTE:**

Please make sure to insert the 'D-tap Connector' correctly into the battery plate to insure the proper polarity ('D' shape of the D-tap cable to the 'D' shape of the battery adapter [See diagram]). Failure to do so may result in damage to the battery plate and/or to the product or products connected to the battery plate. The ikan Corporation takes no responsibility for damage to any product occurring as a result of the incorrect insertion of the D-Tap Connector to the battery plate.

ikan

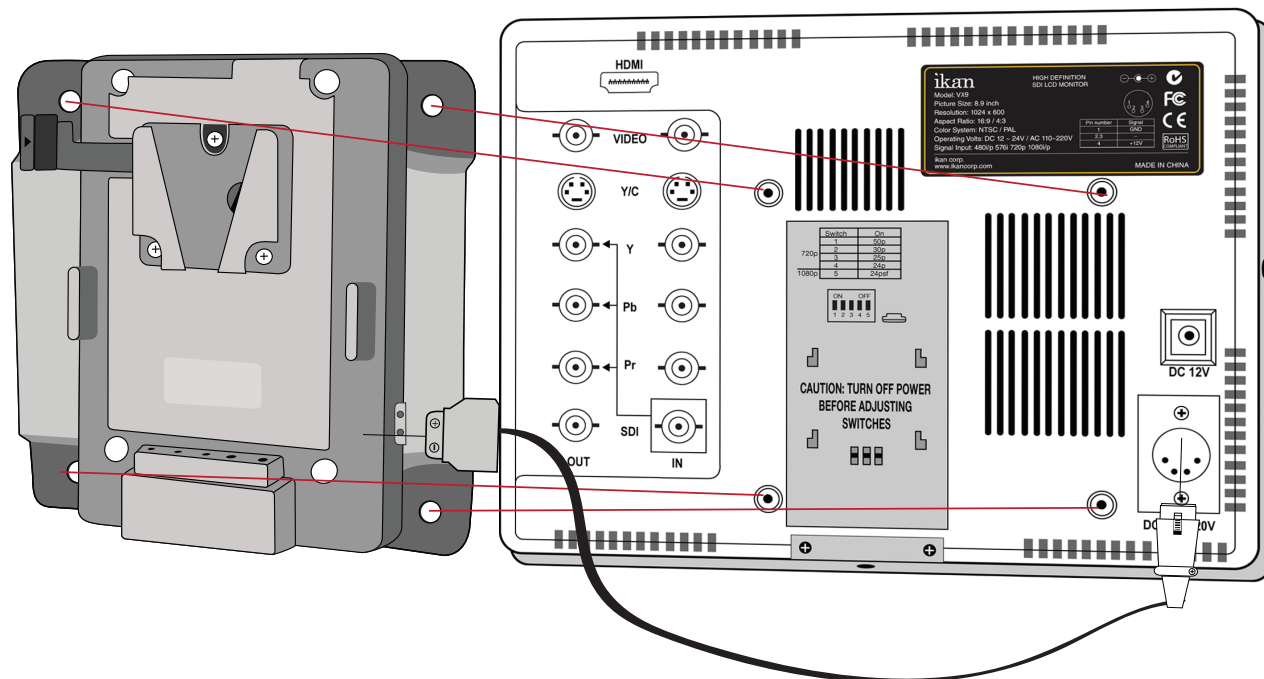
www.ikancorp.com

713-272-8822

# PBK-S-X

## Pro Battery Adapter Kit for V-Mount w/ XLR P-Tap QUICKSTART GUIDE

### VX9 Monitor Connection



\*\* VX9 Monitor is not included in the Pro Battery Kit.

**Battery Plate**    **Connector**

**NOTE:**  
Please make sure to insert the 'D-tap Connector' correctly into the battery plate to insure the proper polarity ("D" shape of the D-tap cable to the "D" shape of the battery adapter [See diagram]). Failure to do so may result in damage to the battery plate and/or to the product or products connected to the battery plate. The ikan Corporation takes no responsibility for damage to any product occurring as a result of the incorrect insertion of the D-Tap Connector to the battery plate.

ikan

www.ikancorp.com

713-272-8822