

# ELEMENTS X-CAGE

---

## X-CAGE KIT QUICKSTART GUIDE



---

### CONDITIONS OF WARRANTY SERVICE

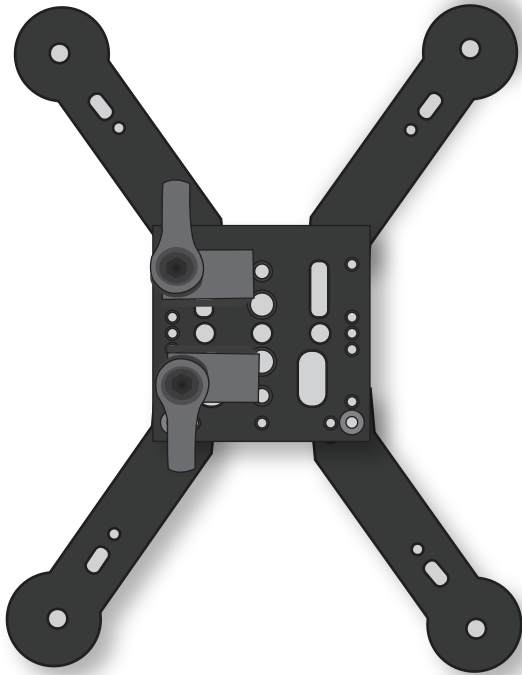
- Free service for one year from the day of purchase if the problem is caused by manufacturing errors.
- The components and maintenance service fee will be charged if the warranty period has expired.

Free Service will not be Provided in the Following Situations: (\* Even if the product is still within the warranty period.)

- Damage caused by abuse or misuse, dismantling, or changes to the product not made by the company.
- Damage caused by natural disaster, abnormal voltage, and environmental factors etc.

# ELEMENTS X-CAGE

## X-CAGE KIT PARTS



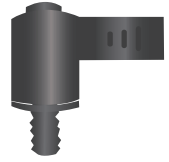
□ 1 x TOP PLATE



□ 1 x BOTTOM PLATE



□ 9 x DRINGS



□ 2 x THUMB SCREWS



□ 2 x GRIP BAR WITH STUD ADAPTER



□ 4 x GRIP BAR



□ 1 x STANDARD ALLEN WRENCH

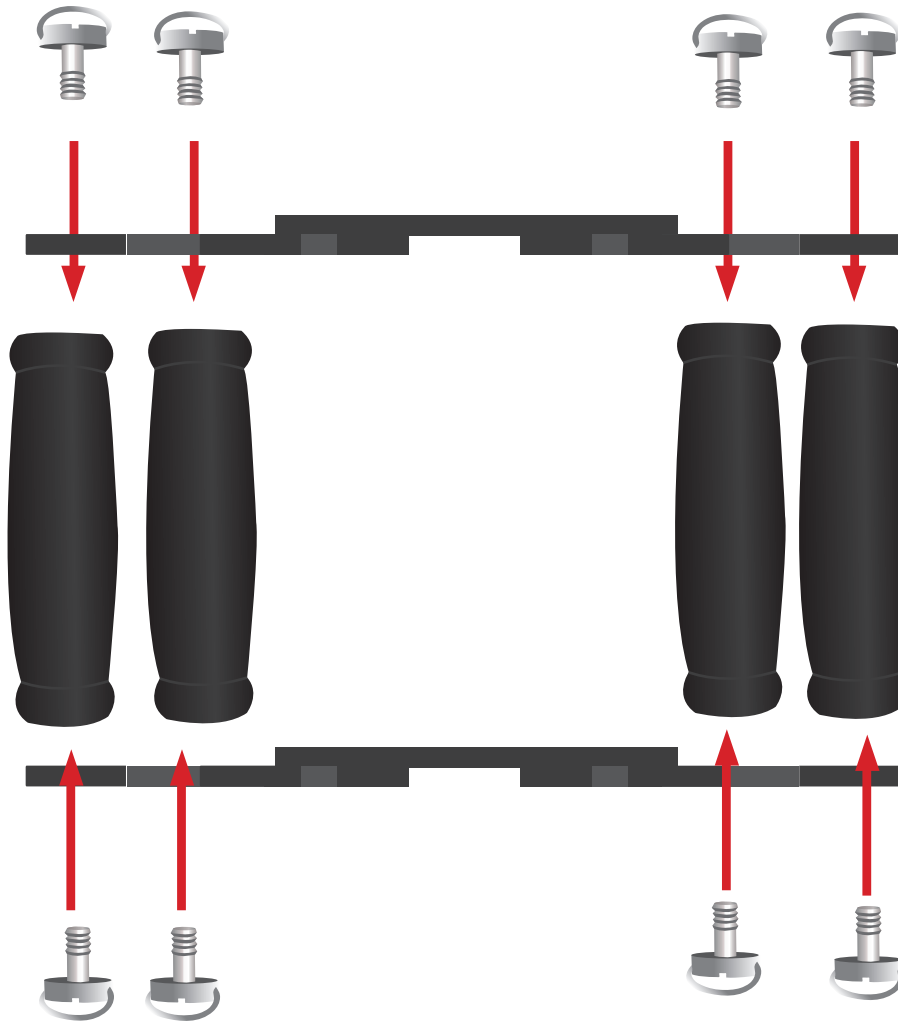


□ 1 x METRIC ALLEN WRENCH

# ELEMENTS X-CAGE

## X-CAGE KIT STEP 1

Thread D-Ring Screw into  
Handles



# ELEMENTS X-CAGE

## X-CAGE KIT STEP 2

Insert Grip Bar into 15RDA  
and tighten Thumb Screws

