

HDMI over IP Specifications

Visual Broadcast System

The HDMI over IP Projector Connector™ allows you to simultaneously send out an HDMI 1.3 Signal to one or more HDMI video projectors or LCD Panels and return an IR Control Signal** to the source using CAT5/6/7 cable over a standard Ethernet infrastructure. Can be used to distribute HD digital content from multiple sources to up to 200 remote displays on a LAN by cascading Managed Ethernet switches up to 3 levels, allowing the farthest display to be located up to 1,000' away from the 1080p source devices while sustaining picture & sound quality. Each device is installed using 1 piece of twisted pair cable. AV signals are transmitted digitally over the CAT5/6/7 cable without any signal loss. Internal JPEG video compression adapts to available network bandwidth if needed. The integrated Scaler function allows different input and output resolutions up to 2048x2048 (different displays can be at different resolutions). A third party home automation solution is needed for distributed remote control functionality.

Transmitter



Projector Connector™ HDMI/IP Transmitter (VBS-HDMI-308A)

1 UTP/STP 100Mbps Ethernet Port
Embedded HTTP Server
Protocol: IP, UDP, TCP, ICMP, and IGMP
1 HDMI In (19 pin Type A female)
1 3.5mm IR Receiver Port** (limited support)
Size: 5" W x 4.5" D x 1" H; 1.1 pounds
100-240V, 50/60 Hz, 5v DC Adapter - 1 Amp
HDCP Compliant
Plug-and-Play installation
Supports DVI with HDMI-to-DVI adapter
Video Bandwidth: 2.25Gbps (HDMI 1.3)
Maximum LAN Bandwidth: 50 - 60 Mbps
Input TMDS Signal: 1.2 volts (peak-to-peak)
Input DDC Signal: 5 volts (peak-to-peak)
Resolutions - practically any input from 16 x 16 to 2048 x 2048 pixels including the following:

640x480 @ 85fps	800x600 @ 85fps
1024x768 @ 75fps	1280x1024 @ 30fps
1600x1200 @ 30fps	720x480 @ 60fps
720x576 @ 50fps	1280x720 @ 30fps
1920x1080 @ 24fps	1920x1080 @ 60fps

Receiver

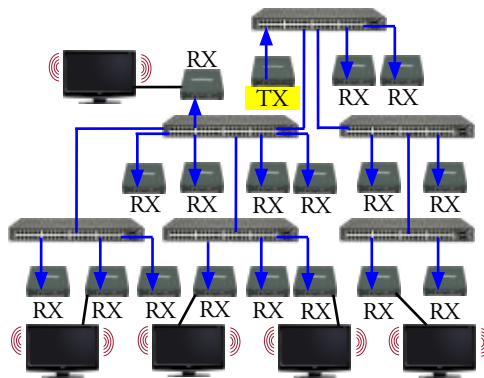


Projector Connector™ HDMI/IP Receiver (VBS-HDMI-108A)

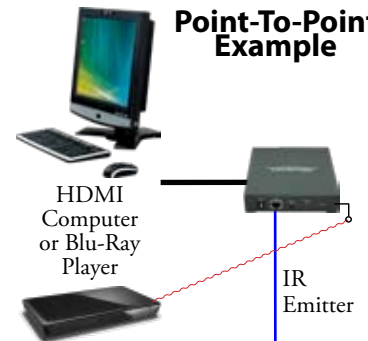
1 UTP/STP 100Mbps Ethernet Port
1 HDMI Out (19 pin Type A female)
1 3.5mm IR Transmitter Port**
Size: 5" W x 4.5" D x 1" H; 1.1 pounds
100-240V, 50/60 Hz, 5v DC Adapter - 1 Amp
HDCP Compliant
Plug-and-Play installation
Supports DVI with HDMI-to-DVI adapter
Scaler automatically adjusts for each display

** Return IR Control is limited to the first attached Receiver and is not suitable for use in a Many-To-Many installation.

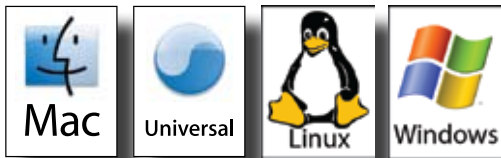
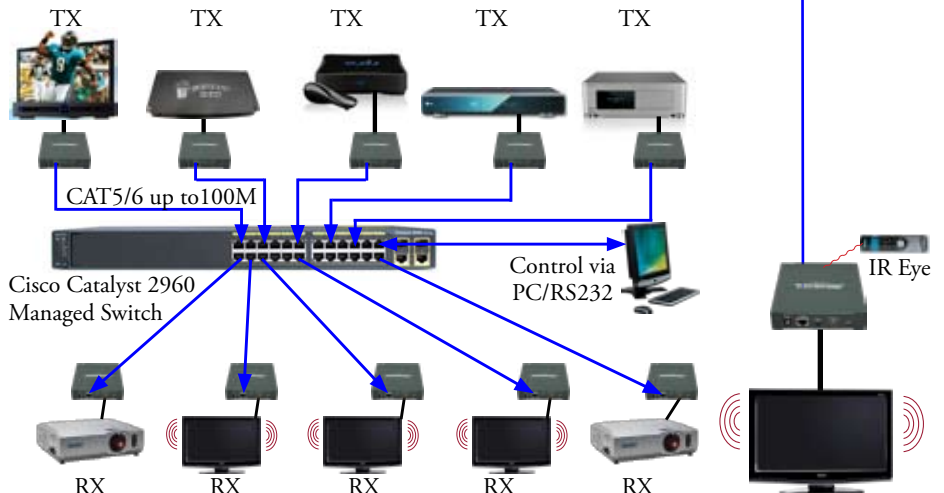
Point-To-Many Example Over Standard Ethernet LAN



Point-To-Point Example



Many-To-Many Home Theater Example Over Managed Ethernet LAN



Just Add
Power



©Copyright 2009, Just Add Power Cardware Co., Inc.
All Rights Reserved.
All specifications subject to change without notice.