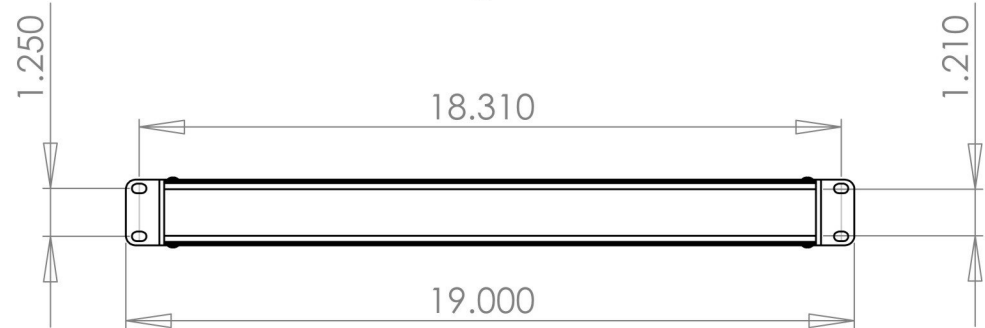
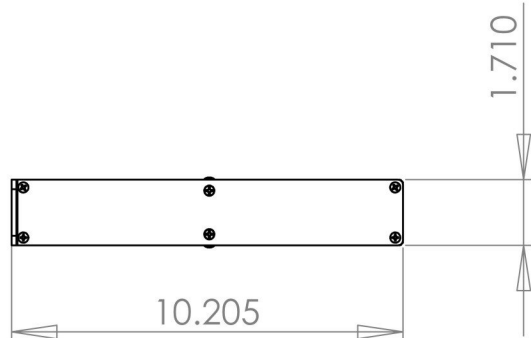
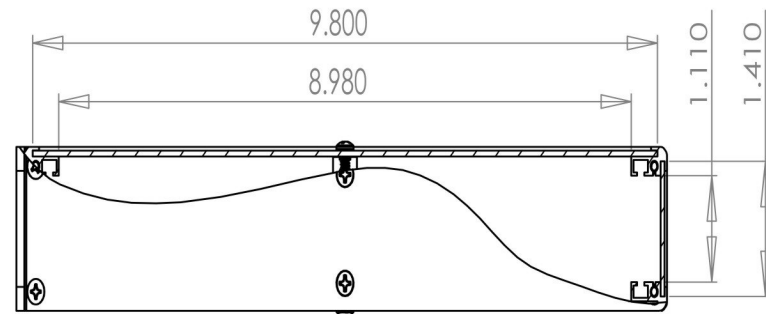
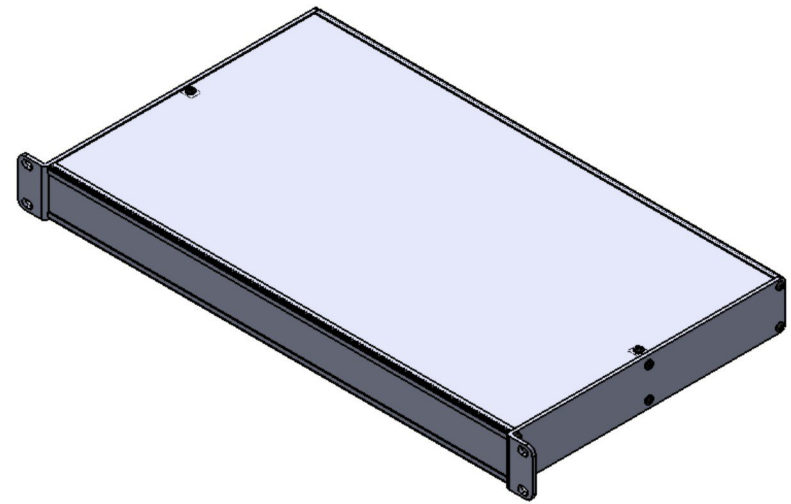
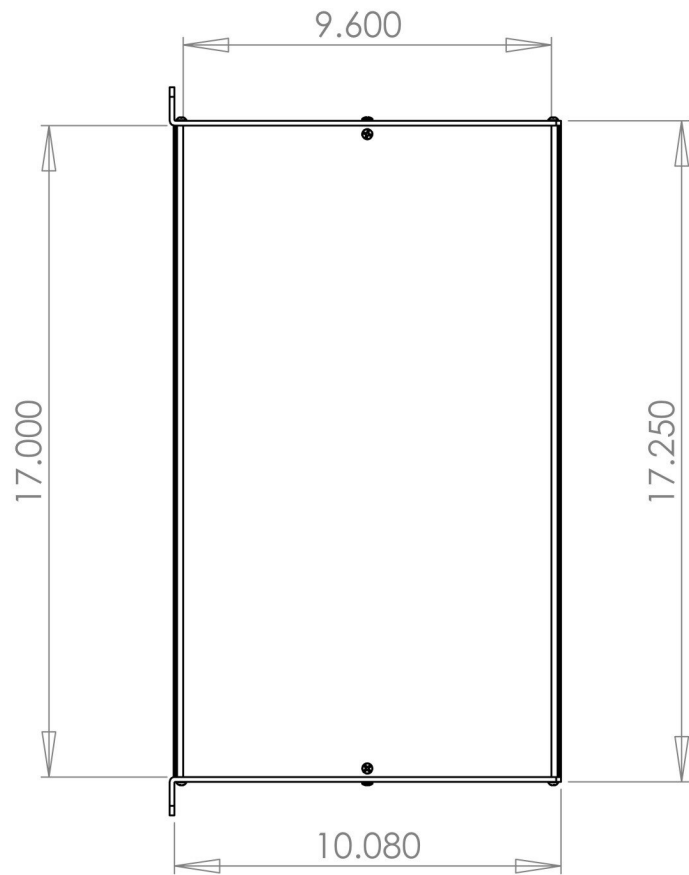


RACK MOUNTING



CONNECTRONICS www.TecNec.com	PART NUMBER CTX-1RU10
	19 x 10 x 1.75 Aluminum Enclosure. Black Anodized
<small>Unless otherwise specified, dimensions are in inches. Information in this drawing is provided for reference only.</small>	