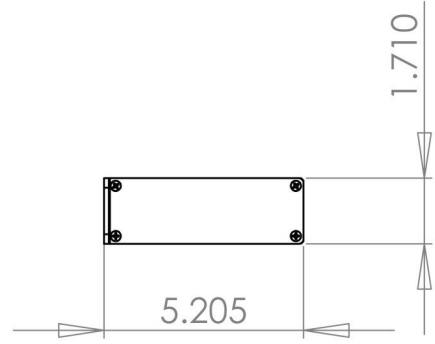
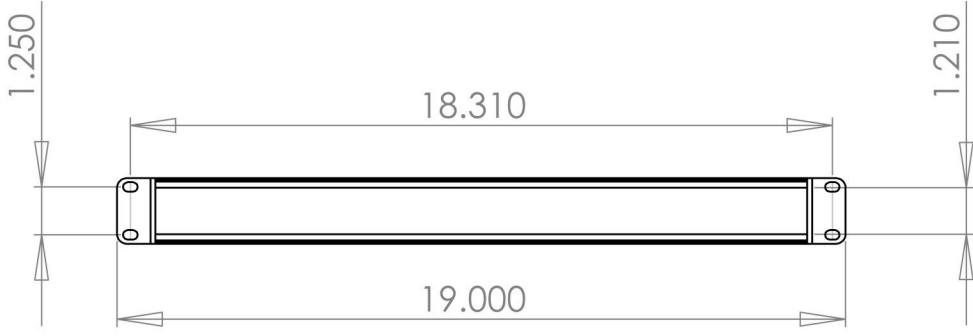
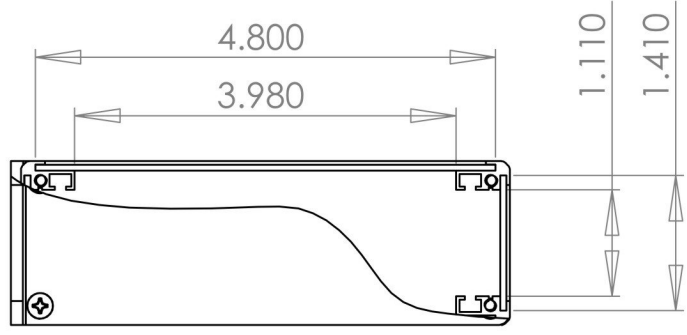
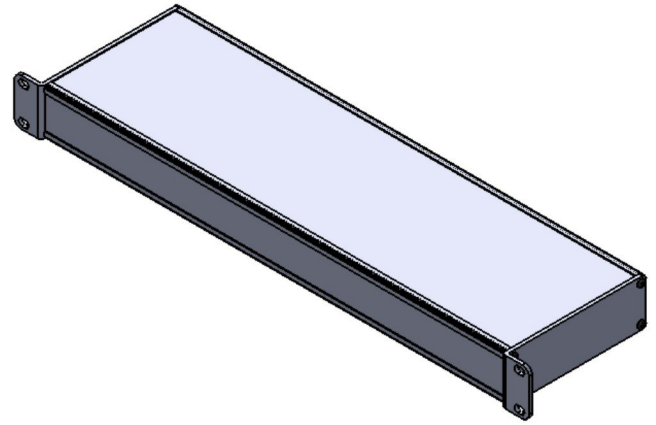
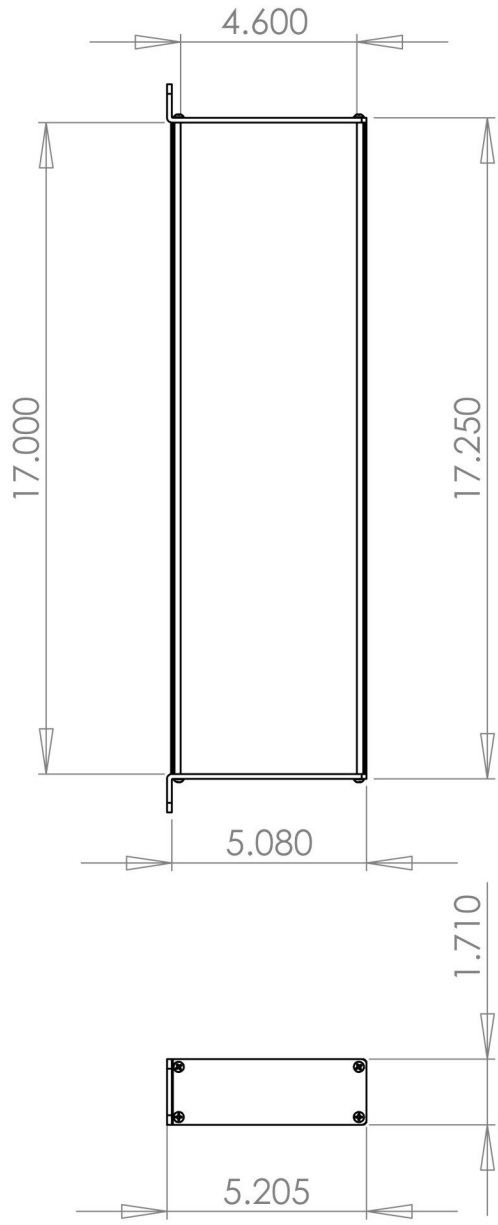


**RACK MOUNTING**



**CONNECTRONICS**  
[www.TecNec.com](http://www.TecNec.com)

PART NUMBER **CTX-1RU5**  
 19 x 5 x 1.75 Aluminum Enclosure.  
 Black Anodized

Unless otherwise specified, dimensions are in inches. Information in this drawing is provided for reference only.