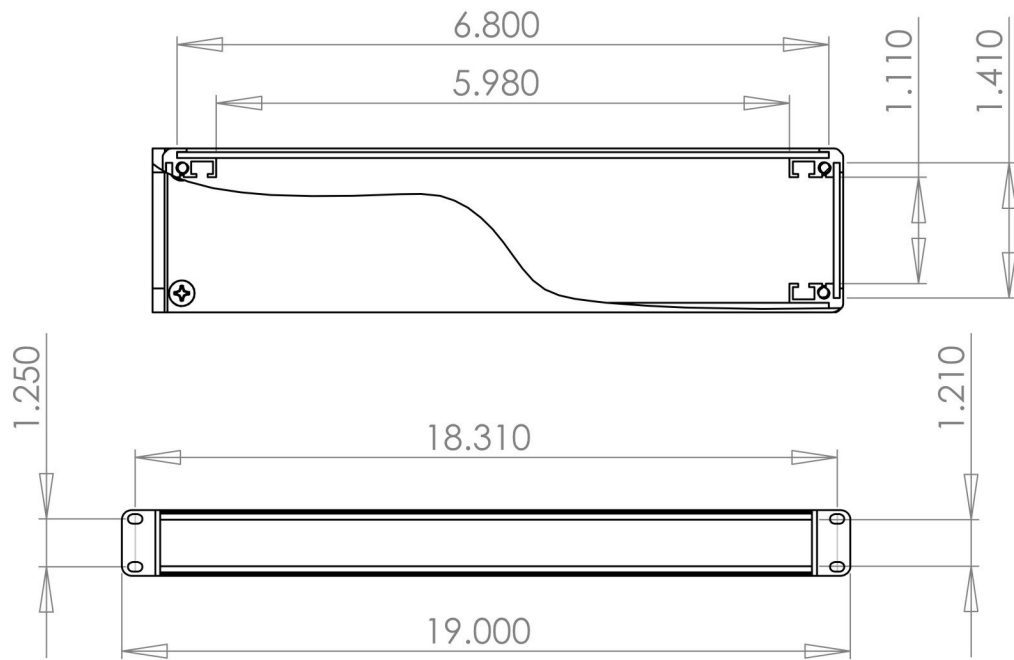
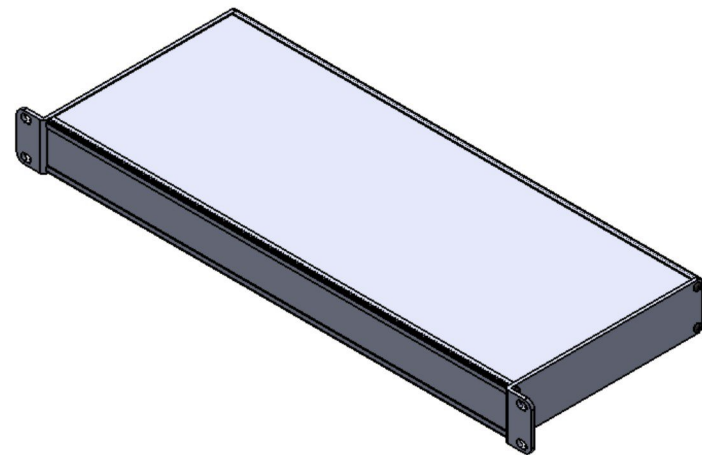
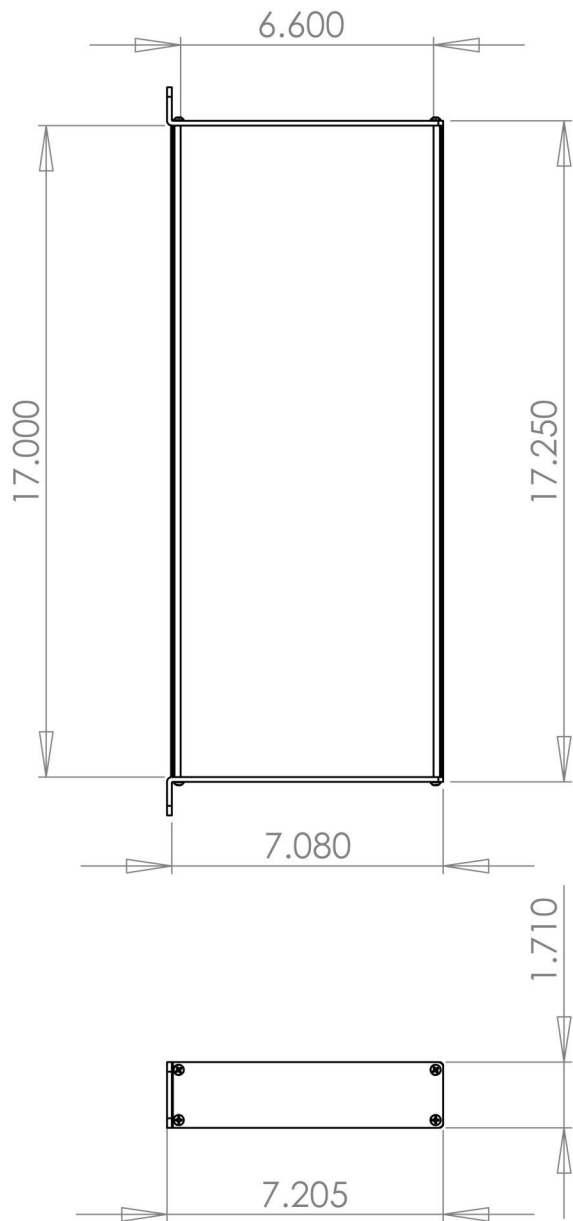


RACK MOUNTING



<p>CONNECTRONICS</p> <p>www.TecNec.com</p> <p>Unless otherwise specified, dimensions are in inches. Information in this drawing is provided for reference only.</p>	<p>PART NUMBER</p> <p>CTX-1RU7</p>
	<p>19 x 7 x 1.75 Aluminum Enclosure. Black Anodized</p>