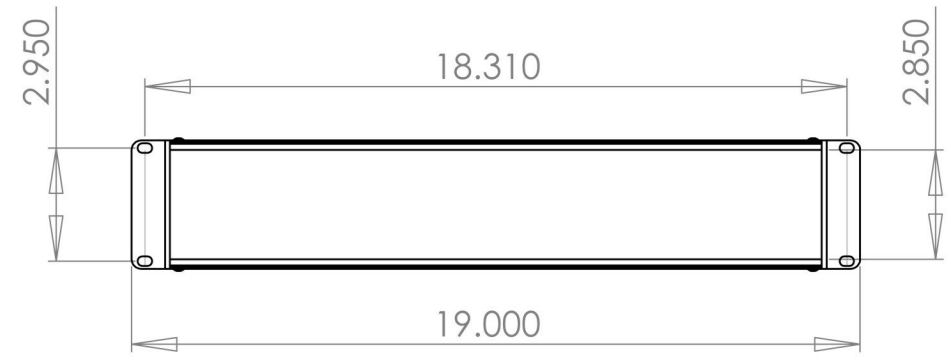
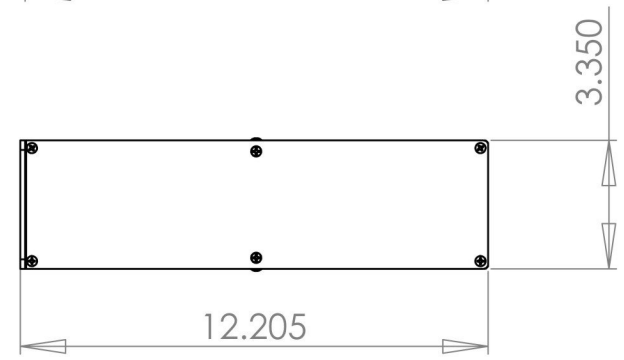
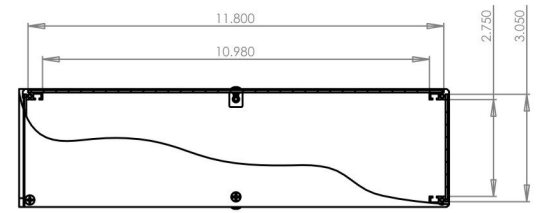
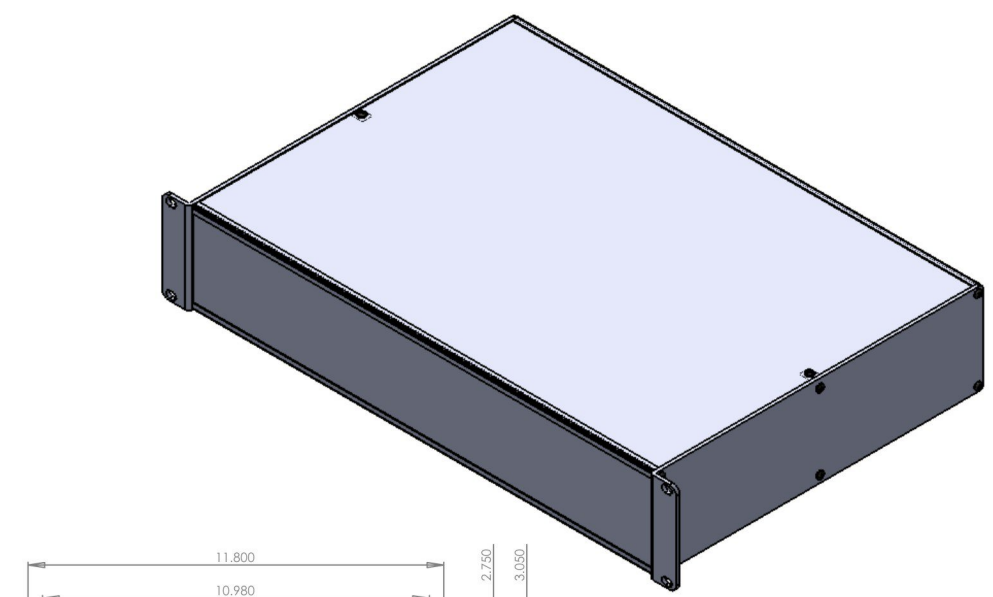
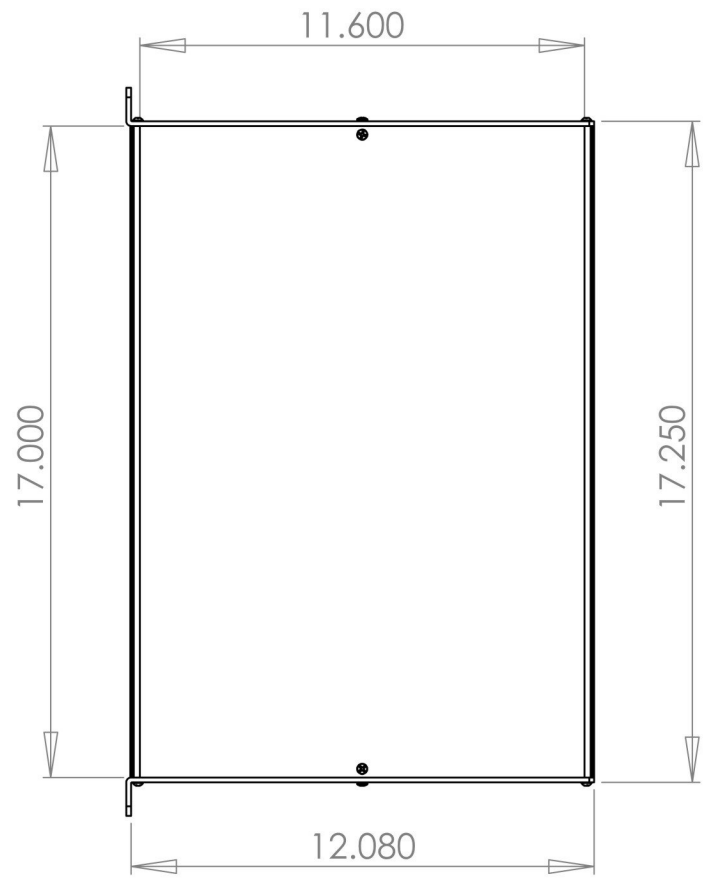


RACK MOUNTING



<p>CONNECTRONICS</p> <p>www.TecNec.com</p> <p><small>Unless otherwise specified, dimensions are in inches. Information in this drawing is provided for reference only.</small></p>	<p>PART NUMBER CTX-2RU12</p>
	<p>19 x 12 x 3.5 Aluminum Enclosure. Black Anodized</p>