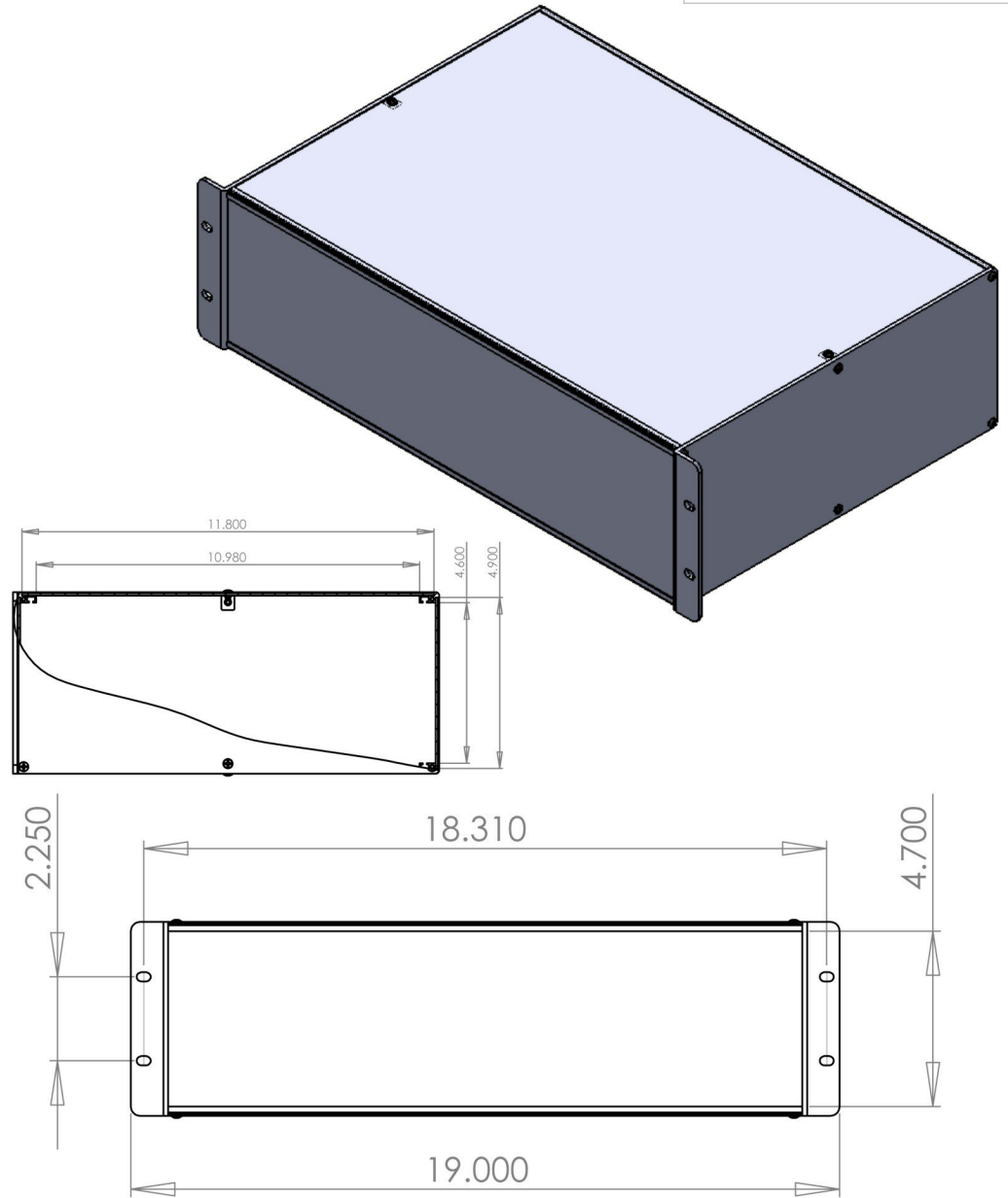
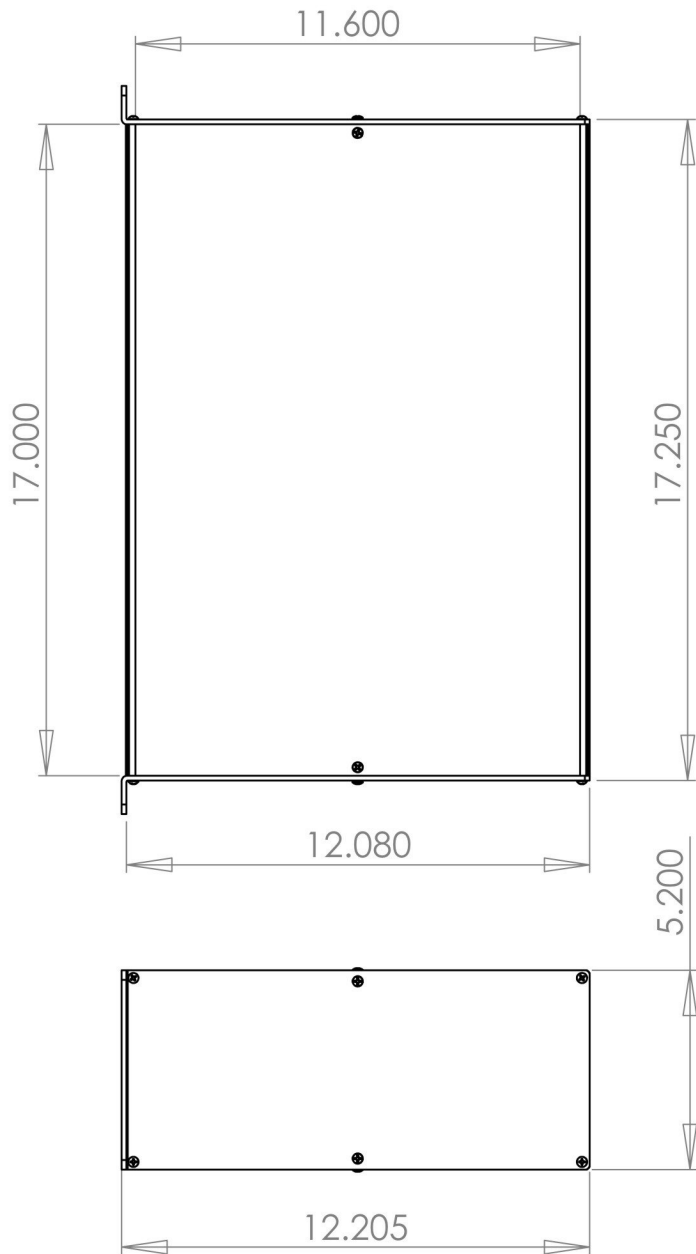


RACK MOUNTING



CONNECTRONICS
www.TecNec.com

PART NUMBER **CTX-3RU12**
 19 x 12 x 5.25 Aluminum Enclosure.
 Black Anodized

Unless otherwise specified, dimensions are in inches. Information in this drawing is provided for reference only.

5

4

3

2

1