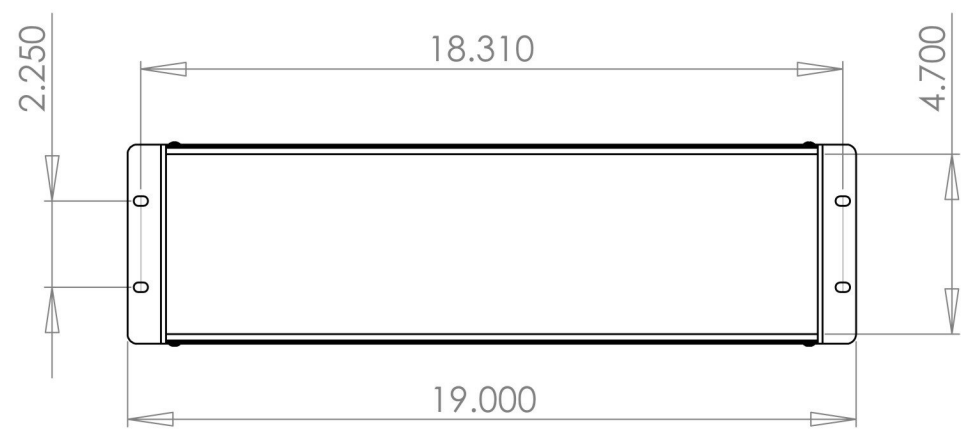
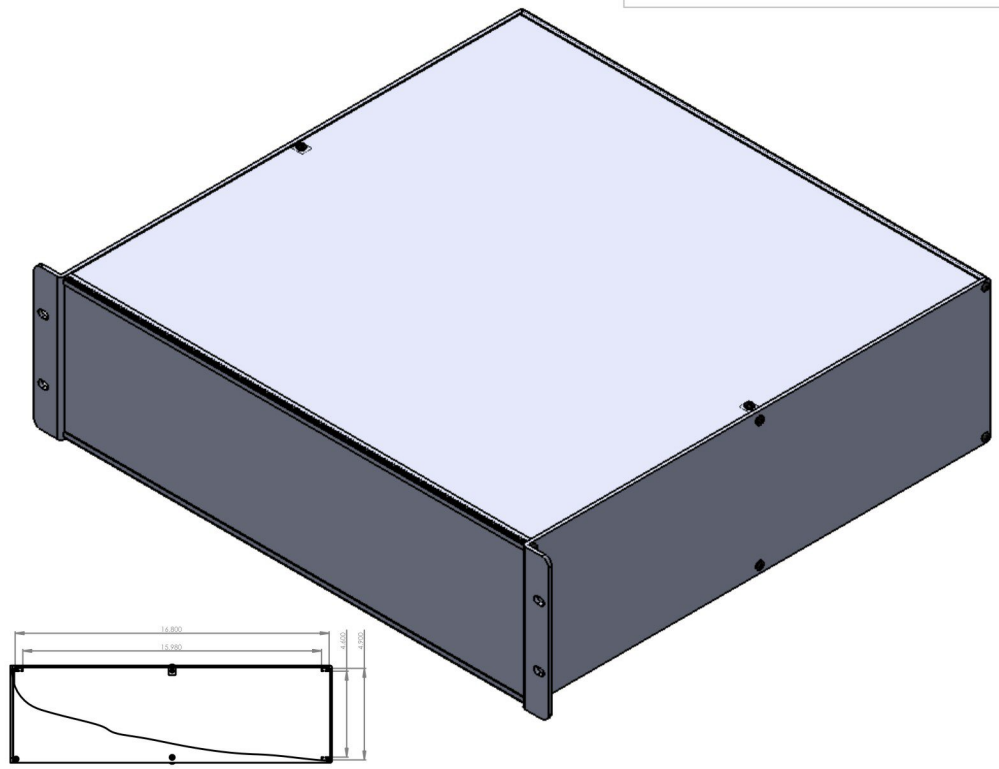
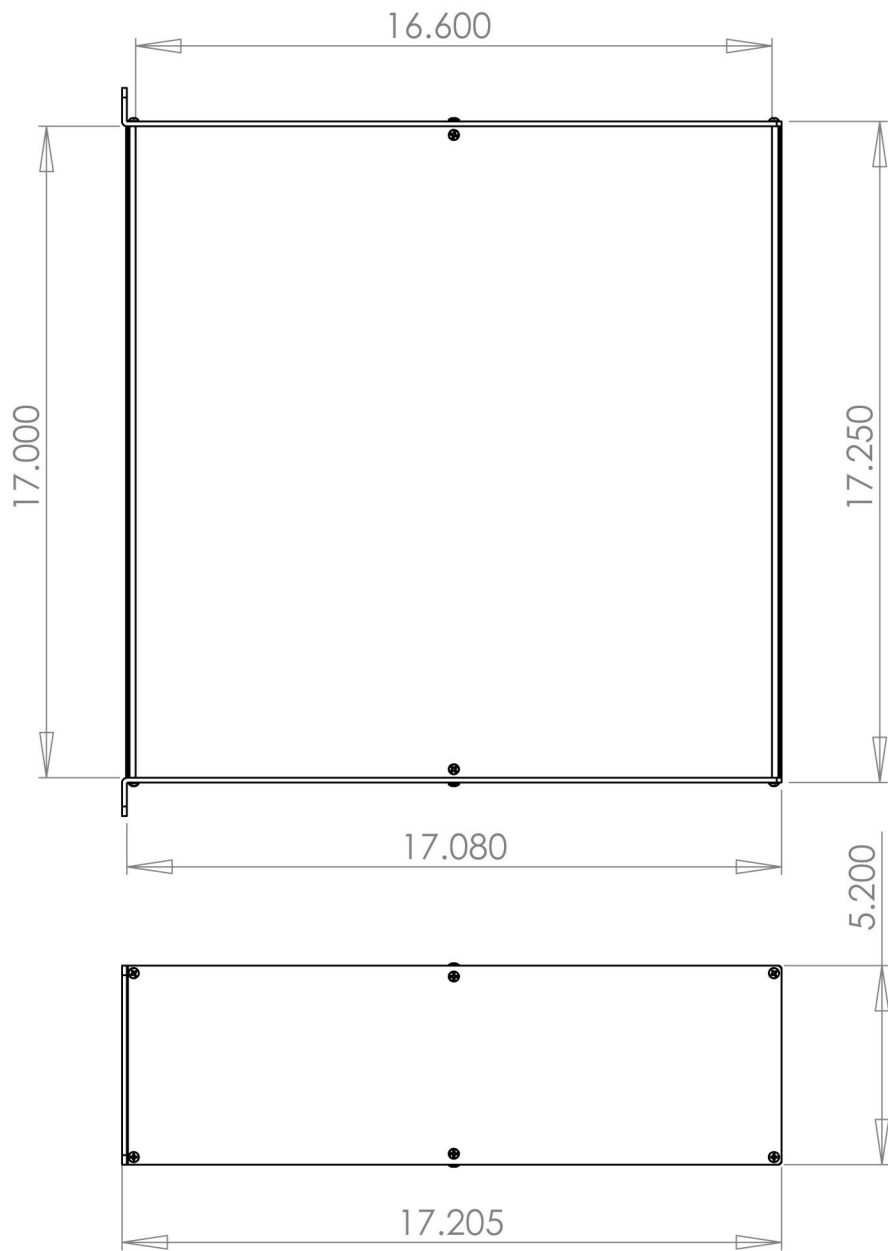


**RACK MOUNTING**



<b>CONNECTRONICS</b> <a href="http://www.TecNec.com">www.TecNec.com</a>	PART NUMBER <b>CTX-3RU17</b>
	19 x 17 x 5.25 Aluminum Enclosure. Black Anodized
<small>Unless otherwise specified, dimensions are in inches. Information in this drawing is provided for reference only.</small>	