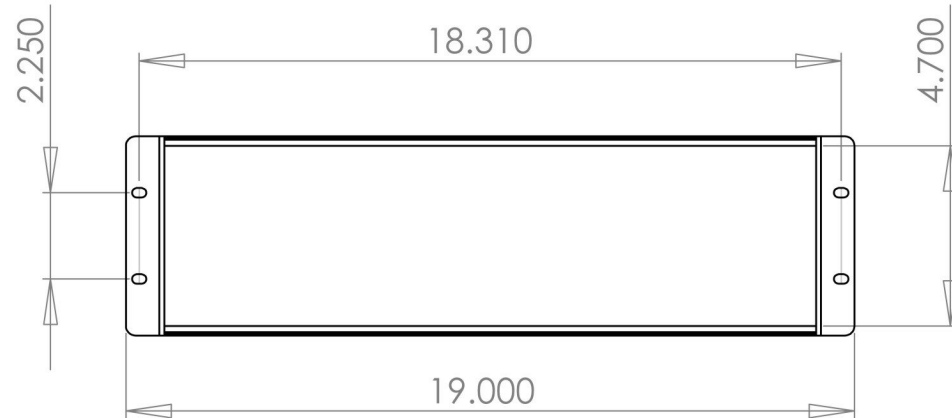
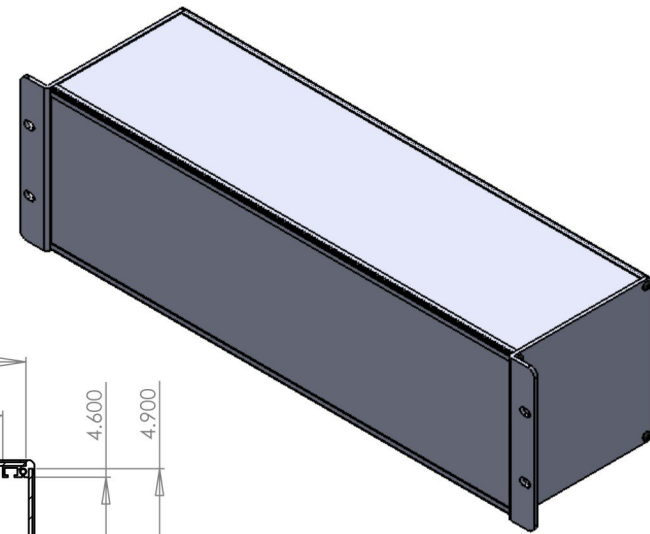
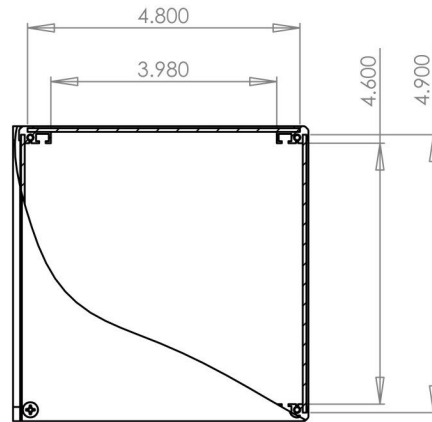
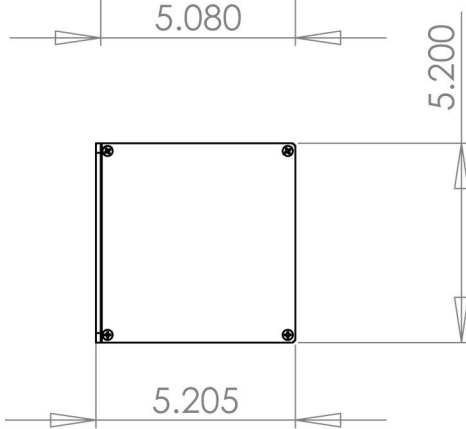
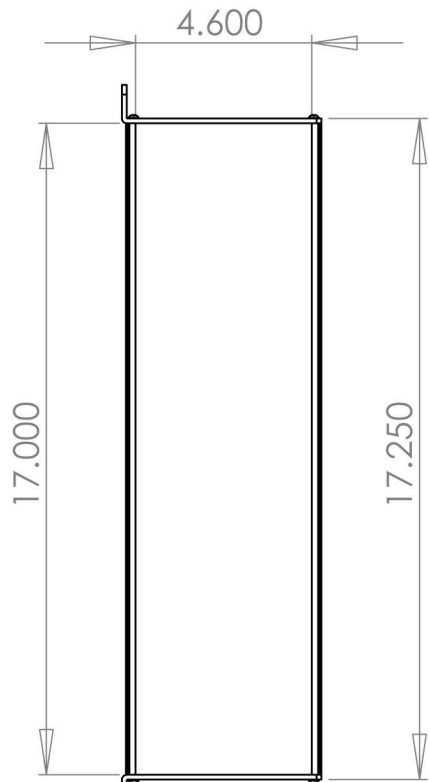


# RACK MOUNTING



**CONNECTRONICS**  
www.TecNec.com

PART NUMBER **CTX-3RU5**  
19 x 5 x 5.25 Aluminum Enclosure.  
Black Anodized

Unless otherwise specified, dimensions are in inches. Information in this drawing is provided for reference only.