

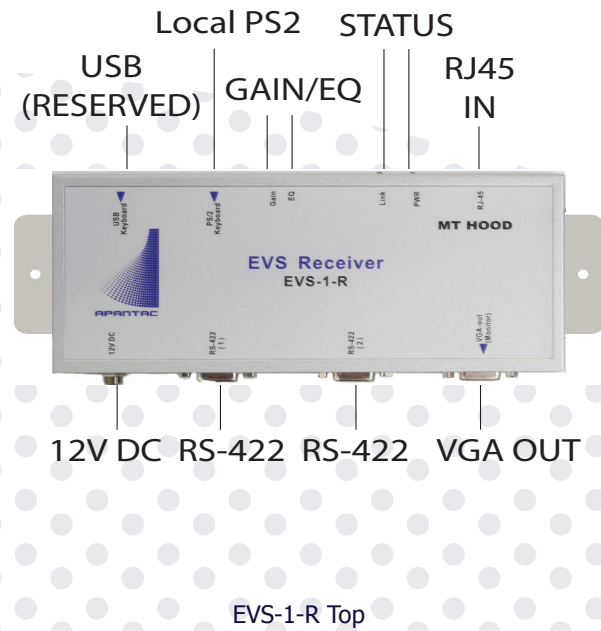
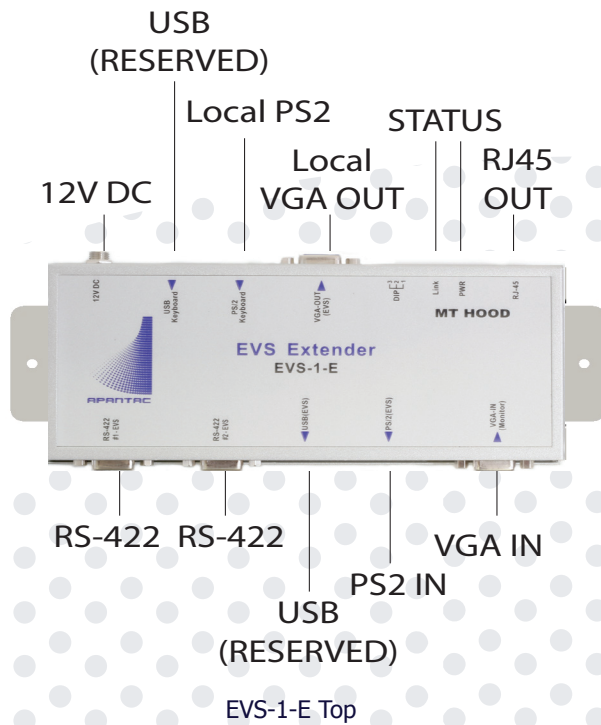
- Can extend EVS XT3 control and monitoring signals up to 600 feet away
- Local VGA, PS2 output • VGA, PS2, 2 x RS-422 signals are combined into a single CAT5e/6
 - USB port reserved for future use
- With the use of an RJ45 patch panel, the CAT 5e/6 cable can be easily patched to freely assign the operator positions with the EVS XT3 video servers

EVS-1-E

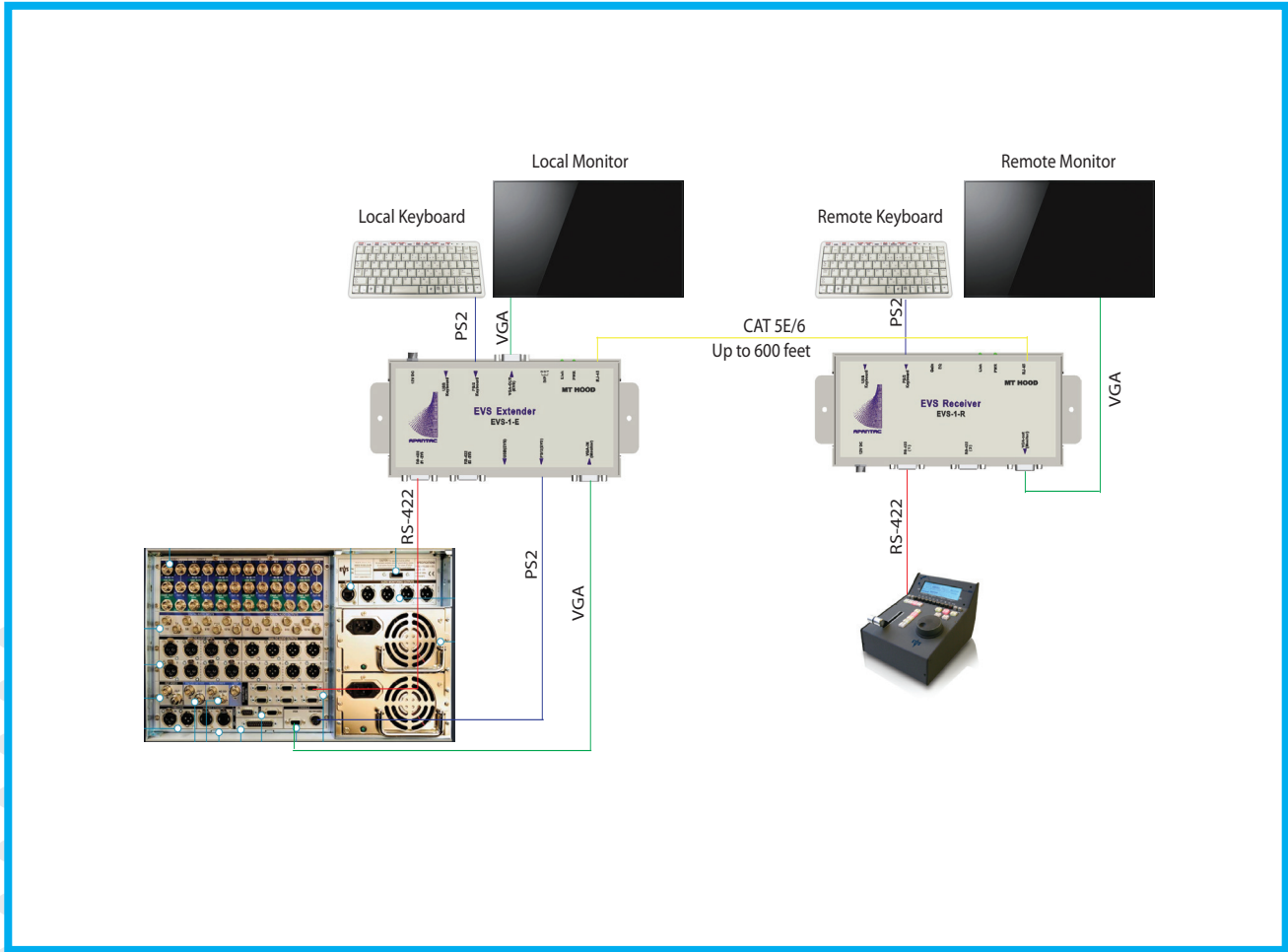
Extends for EVS XT3 Server control up to 600 feet away

EVS-1-R

Receiver for EVS XT3 Server



MODEL	EVS-1-E	EVS-1-R
DESCRIPTION	EVS XT3 Extender	EVS XT3 Receiver
INPUT	2 x RS422, 1 x PS2, 1 x VGA, USB (reserved)	RJ-45
OUTPUT	1 x PS2, 1 x VGA, USB (reserved), RJ-45	2 x RS422, 1 x PS2, 1 x VGA, USB (reserved)
POWER	12V DC	12 V DC
DIMENSIONS	193 mm (L) x 80 mm (W) x 30 mm (H)	193 mm (L) x 80 mm (W) x 30 mm (H)
MOUNT	Magnetic	Magnetic



EVS Extender Application Diagram