

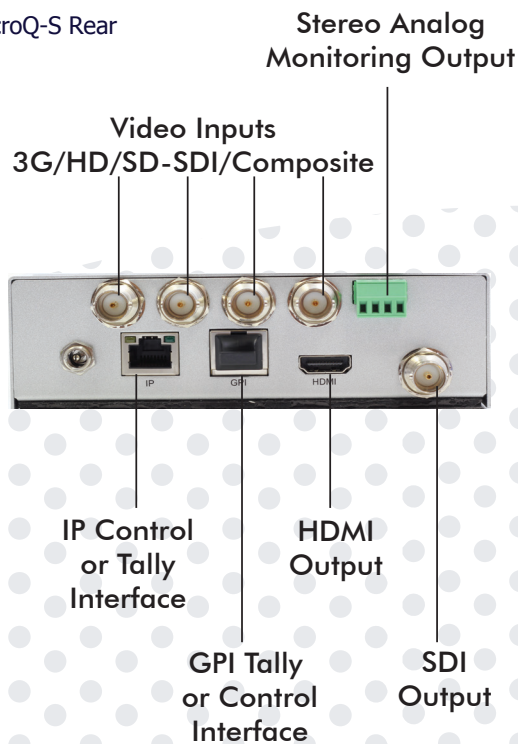
CRESCENT MICROQ-S PRODUCTION COMPACT VIDEO QUAD SPLIT

- Compact Video Quad Split • Supports 3G/HD/SD-SDI/Composite input in 50/60Hz
 - HDMI and SDI output with embedded audio for monitoring
 - Supports embedded audio, stereo analog audio output
 - Safe Area indicators • Dynamic Tally via TSL (IP) or GPI
- Any Window can be made full screen • Front panel buttons to recall presets • IP control

MicroQ-S

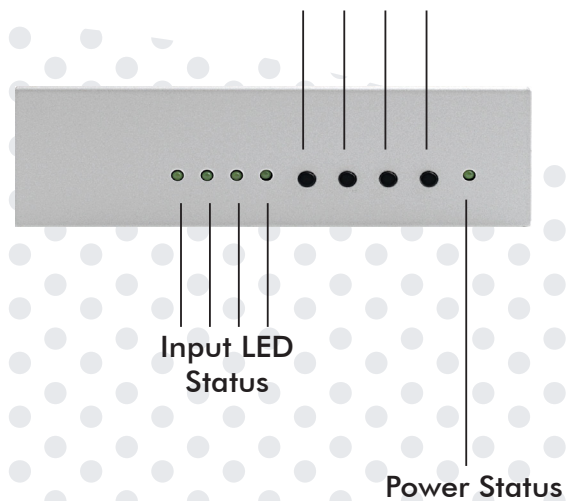
Simple Compact Video Quad Split with HDMI and SDI Output

MicroQ-S Rear



MicroQ-S Front

Each Button is dedicated for each Input
Push the Button once to go full screen
Push it again to go back to Quad Split



MicroQ-S			
Video Inputs	3G/HD/SD-SDI, Composite	Outputs	1 x HDMI, 1 SDI
Total Windows	4	HDMI	800x480 to 1920x1200 (1080p) 50/60 Hz
Serial Digital	SMPTE 424M, 292M, 259M	SDI	Matching HDMI output resolution up to 3G
Equalization	120m at 2.97 Gbps, 140m at 1.48 Gbps, 400m at 270 Mbps with Belden 1694A	On Screen Display	Border, Label, Tally, Safe Area Indicators, Alarms and Audio Meters
Return Loss	> 15db up to 1.485 Gbps < > 10db up to 3G	GPI	8 for Tally, preset recall, or ASCII
Embedded Audio	SMPTE-272M-A	IP	100 Base-Tx, TSL, AXP
Composite	NTSC (SMPTE-170M), PAL (ITU624-2)	Electrical	12 W, 90-250V 50/60Hz
Signal Level	1V nominal	EMI/RFI	Complies with FCC Part 15, Class A, CE, EU, EMC, C-tick
DC Offset	0V, + - 0.1V	Power	5 DC 3A
Impedance	75 ohm	Size	171 mm W x 120 mm D x 44.45 mm H
Return Loss	40db up to 5MHz	Mount	Magnetic

