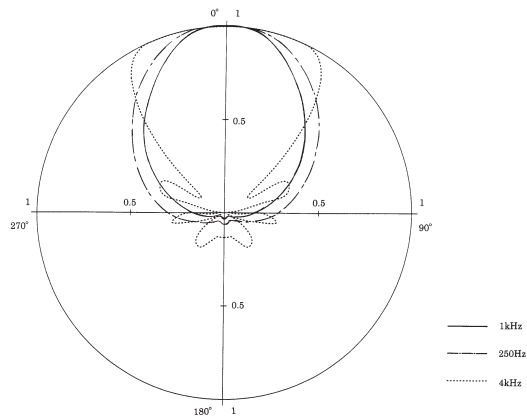




Super-Cardioid Polar Pattern



SGM-1X

INSTRUCTIONS



PROFESSIONAL SHOTGUN MICROPHONE

Azden Corporation
147 New Hyde Park Road
P.O. Box 10
Franklin Square, NY 11010
vox 516.328.7500 • fax 516.328.7506
AzdenUS@azdencorp.com • www.azdencorp.com

Thank you for purchasing the Azden SGM-1X microphone. Designed for Video and Audio Professionals, the SGM-1X is a directional super-cardioid shotgun microphone with a wide frequency response and low noise levels.

BATTERY:

The SGM-1X is powered by 1 "AAA" battery (not included). Unscrew the lower half of the short barrel case just below the "Power" switch by turning it counterclockwise. Install 1 fresh "AAA" Alkaline battery, making sure to check polarity, and close the case by turning it clockwise. DO NOT OVERTIGHTEN or you may strip the threads.

SHOCK-MOUNT HOLDER:

The SGM-1X is supplied with a shock-mount holder. This holder can be used on a camera shoe or on a microphone stand. Push the barrel through the center of the elastic bands until it is positioned as shown. To secure the holder to a camera shoe, slide the holder into the camera shoe and tighten the thumbwheel by turning it clockwise. To secure the holder to a microphone stand, screw the holder to the stand by turning it clockwise until it is tight.

NOTE: Two holes are drilled into the bottom of the holder for different diameter microphone stand threads, choose the one that matches your mic stand.



POWER SWITCH:

The SGM-1X has a 2-position power switch.

OFF: Switch the microphone to OFF when not in use to conserve battery life.

ON: Switch the microphone to ON for normal operation.

LOW-CUT SWITCH:

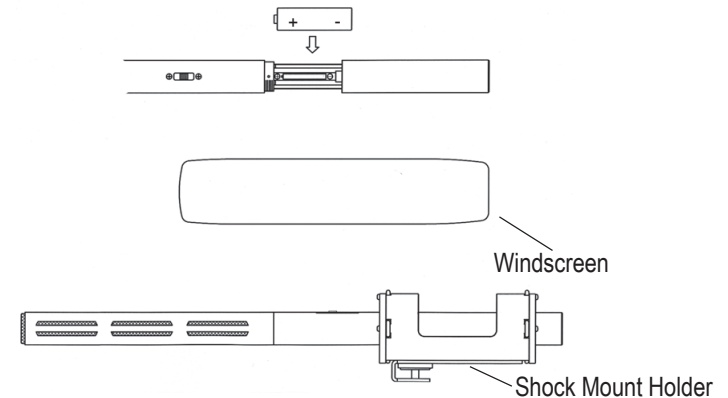
The Sgm-1X has a "Low-Cut" filter switch that is designed to reduce unwanted low frequencies from entering the audio. This will reduce low frequency energy created from things like air conditioner compressors. The frequency response is "Flat" when the switch is in the  position while the low frequencies are reduced when the switch is in the  position.

MIC OUTPUT:

The SGM-1X has a balanced XLR output and will work in any low impedance microphone input of 1K ohm or less. This includes balanced XLR or unbalanced 1/4" and 3.5mm microphone inputs. Due to the wide variety of possible connections and equipment used with the SGM-1X, an output cable is not supplied.

WIRELESS OPTIONS:

You can turn the SGM-1X into a wireless microphone by purchasing one of Azden's unique XLR plug-in transmitters and matching receiver. For more details contact your Azden dealer or one of the dealers linked at our website: www.azdencorp.com



SPECIFICATIONS:

FREQUENCY RESPONSE	80-18,000Hz
SENSITIVITY	SUPER CARDIOID -33dB re 1V/Pa
IMPEDANCE	1.5k Ohms @ 1KHz
MAX. SPL INPUT LEVEL	110dB
SIGNAL TO NOISE RATIO	65dB
DYNAMIC RANGE	80dB
BATTERY TYPE	AAA (1.5V) - USE ALKALINE BATTERY
BATTERY CURRENT	0.2 mA
BATTERY LIFE	1000 HOURS w/ALKALINE BATTERY
WEIGHT w/o BATTERY	4.76oz (135grams)
DIMENSIONS	11.8" (300mm) length 0.83" (21mm) diameter
OUTPUT TYPE	3-Pin XLR type
SUPPLIED ACCESSORIES	SHOCK MOUNT MIC HOLDER 1 WINDSCREEN