

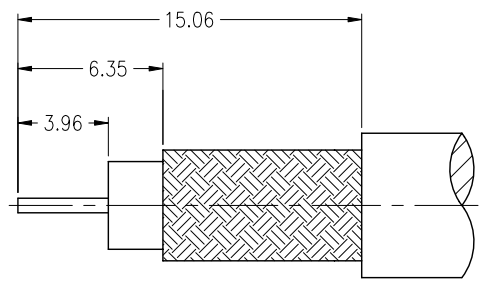
NOTES:

- MATERIALS AND FINISHES(PLATING THICKNESS IN MICRO-INCHES):  
 BODY - BRASS, NICKEL PLATING  
 CONTACT - BRASS, GOLD PLATING  
 INSULATOR - PTFE, NATURAL
- ELECTRICAL:  
 A. IMPEDANCE: 50 OHM  
 B. FREQUENCY RANGE: DC -4 GHz  
 C. DIELECTRIC WITHSTANDING VOLTAGE: 1500 VRMS, MIN.
- MECHANICAL:  
 A. DURABILITY: 500 CYCLES MIN.  
 B. TEMPERATURE RANGE: - 65°C to +165°C
- WHEN CRIMPING FERRULE TO CABLE, CRIMP WITH AMPHENOL TOOL 277-944 (M22520/5-01) AND DIE SET 227-1221-13 CAVITY 'A' (M22520/5-13,CLOSURE 'A')
- ITEM 8 IS USED FOR RG62 CABLE ONLY
- USE WITH RG 59 AND BELDEN 8221, 8241, 8241A, 8241F, 8263, 8279A, 9209, 9209A, 9244 CABLES.

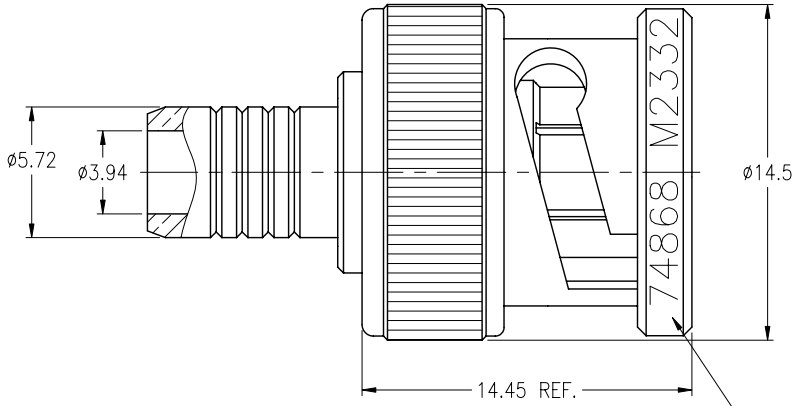
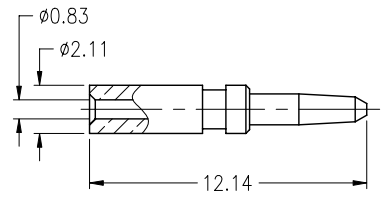
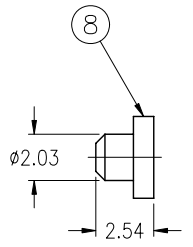
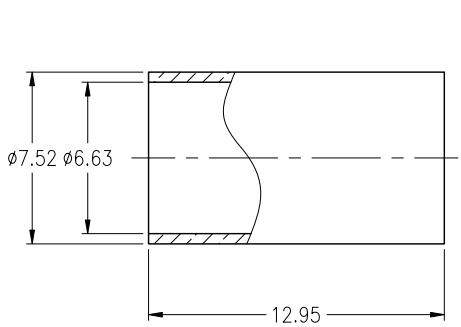
THIRD ANGLE PROJ.

REVISIONS

REV	DESCRIPTION	DATE	ECO	APPR
A2	APPEARANCE WAS CHANGED\N/A	16-Apr-03	---	TONY
A3	SEE SHEET 1	17-Mar-05	---	SH
A4	SEE SHEET 1	30-Jun-05	---	SH
B	SEE SHEET 1	28-Sep-06	---	SH
AE	SEE SHEET 1	21-Sep-10	47921	SH
AF	NOTE 5 WAS CHANGE\RD-DM11071101R3	02-Aug-11	48675	SH



RECOMMENDED CABLE STRIPPING DIM'S



STAMP "74868 M23329/3-05"

**CUSTOMER OUTLINE DRAWING**  
 ALL OTHER SHEETS ARE FOR INTERNAL USE ONLY

UNLESS OTHERWISE SPECIFIED, DIMENSIONS ARE IN METRIC AND TOLERANCES ARE: <0.5mm ±0.05mm    0.5 - 6mm ±0.1mm    6 - 30mm ±0.2mm    30 - 120mm ± 0.3mm    ANGLES ±1°	MATERIAL	DRAWN <b>R.MAO</b> ENGINEER <b>C.WANG</b>	DATE 22-Jul-11	TITLE BNC PLUG MIL-CRIMP 23329 (FOR RG-59/U, 62/U CABLE)			Amphenol RF Danbury CT USA, Tainan Taiwan, Shenzhen China www.amphenolrf.com		
	REFERENCE	APPROVED <b>S.HSIEH</b>	DATE 22-Jul-11	SCALE: 3/1	SHEET 2 OF 2	DRAWING NO. 31-321	ITEM NO. 31-321	PART NO. 31-321	
NOTICE - These drawings, specifications, or other data (1) are, and remain the property of Amphenol Corp. (2) must be returned upon request; and (3) are confidential and not to be disclosed to any person other than those to whom they are given by Amphenol Corp. The furnishing of these drawings, specifications, or other data by Amphenol Corp., or to any other person to anyone for any purpose is not to be regarded by implication or otherwise in any manner licensing, granting rights or permitting such holder or any other person to manufacture, use or sell any product, process or design, patented or otherwise, that may in any way be related to or disclosed by said drawings, specifications, or other data.	FINISH	CAD FILE F:\DWG\CNPD\31\321\00-AFSZ		DWG SIZE B	CODE ID 74868	REV AF			