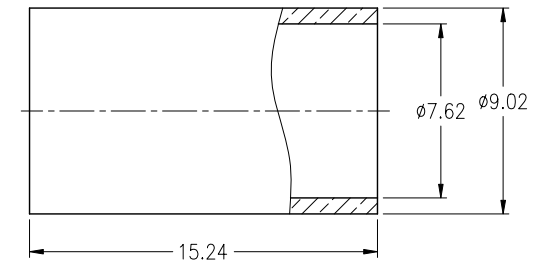
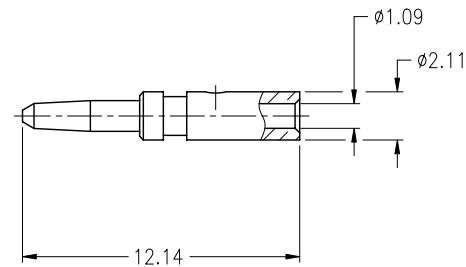
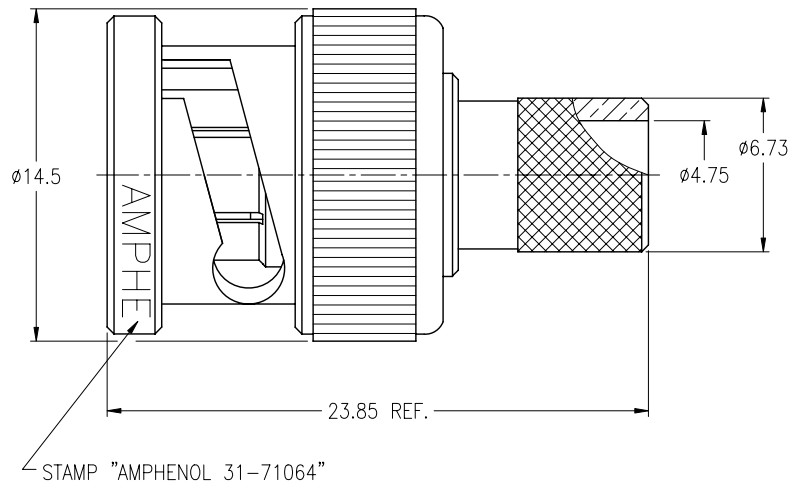
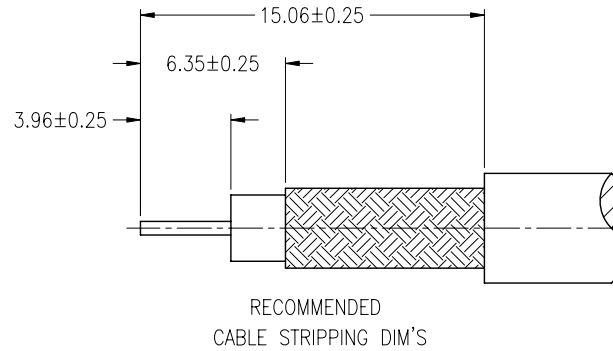


NOTES:

- MATERIALS AND FINISHES:
 BODY - BRASS, NICKEL PLATING
 CONTACT - BRASS, GOLD PLATING
 INSULATOR - PTFE, NATURAL
- ELECTRICAL:
 A. IMPEDANCE: 75 OHM
 B. FREQUENCY RANGE: DC 0-4 GHz
 C. DIELECTRIC WITHSTANDING VOLTAGE: 1500 VRMS, MIN.
- MECHANICAL:
 A. DURABILITY: 500 CYCLES MIN.
 B. TEMPERATURE RANGE: -65°C to +165°C
- SOLDER CONTACT TO CABLE.
 WHEN CRIMPING CONTACT PIN TO CABLE, CRIMP WITH AMPHENOL TOOL 227-944 (M22520/5-01) AND DIE SET 227-1221-32, CAVITY 'B' (OR CTL-2, .068 HEX)
- WHEN CRIMPING FERRULE TO CABLE, CRIMP WITH AMPHENOL TOOL 277-944 (M22520/5-01) AND DIE SET 227-1221-32 CAVITY 'A' (OR CCTL-2, .324 HEX)
- USE WITH BELDEN 1694A, 1695A, 9114 AND 9248 CABLES

THIRD ANGLE PROJ.

REVISIONS				
REV	DESCRIPTION	DATE	ECO	APPR
B	SEE SHEET 1	27-Jul-05	--	SH
B1	SEE SHEET 1	16-Aug-05	--	AW
C	SEE SHEET 1	27-Feb-08	--	AW
D	SEE SHEET 1	23-Mar-10	47967	SH
E	NOTE 4 WAS CHANGED\RD-10121301F	27-Dec-10	48342	SH



CUSTOMER OUTLINE DRAWING
 ALL OTHER SHEETS ARE FOR INTERNAL USE ONLY

UNLESS OTHERWISE SPECIFIED, DIMENSIONS ARE IN METRIC AND TOLERANCES ARE: <0.5mm ±0.05mm 0.5 - 6mm ±0.1mm 6 - 30mm ±0.2mm 30 - 120mm ±0.3mm ANGLES ±1°	MATERIAL	DRAWN F.WANG ENGINEER S.LI	DATE 27-Dec-10	TITLE BNC PLUG (75 OHM) FOR RG 6 TYPE CABLE (Ø7.49 MAX) SINGLE SHIELD	Amphenol RF Danbury CT USA, Tainan Taiwan, Shenzhen China www.amphenolrf.com		
	REFERENCE	APPROVED S.HSIEH	DATE 27-Dec-10		SCALE: 3/1 SHEET 2 OF 2	DRAWING NO.	31-71064
NOTICE - These drawings, specifications, or other data (1) are, and remain the property of Amphenol Corp. (2) must be returned upon request; and (3) are confidential and not to be disclosed to any person other than those to whom they are given by Amphenol Corp. The furnishing of these drawings, specifications, or other data by Amphenol Corp., or to any other person to anyone for any purpose is not to be regarded by implication or otherwise in any manner licensing, granting rights or permitting such holder or any other person to manufacture, use or sell any product, process or design, patented or otherwise, that may in any way be related to or disclosed by said drawings, specifications, or other data.	FINISH	CAD FILE F:\DWG\CNPD\31\71064-ESZ	DWG SIZE B	CODE ID 74868	REV E	ITEM NO.	31-71064
						PART NO.	31-71064