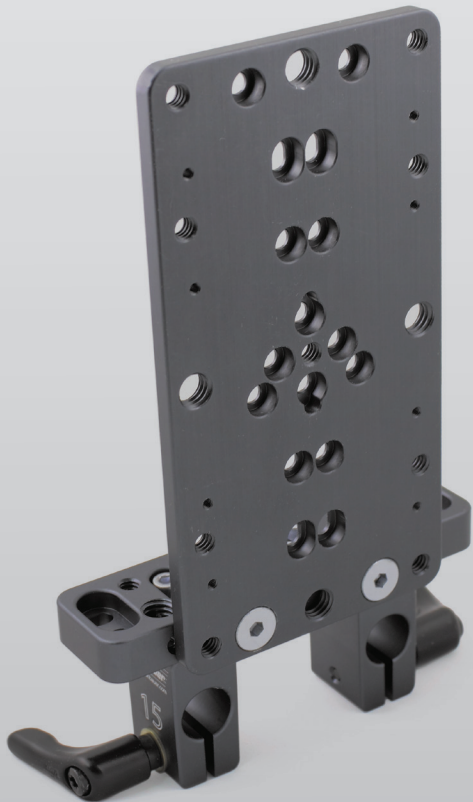


Approved Copy

antonbauer®

One World. One Smart Choice.™



MATRIX

Cheese Plate

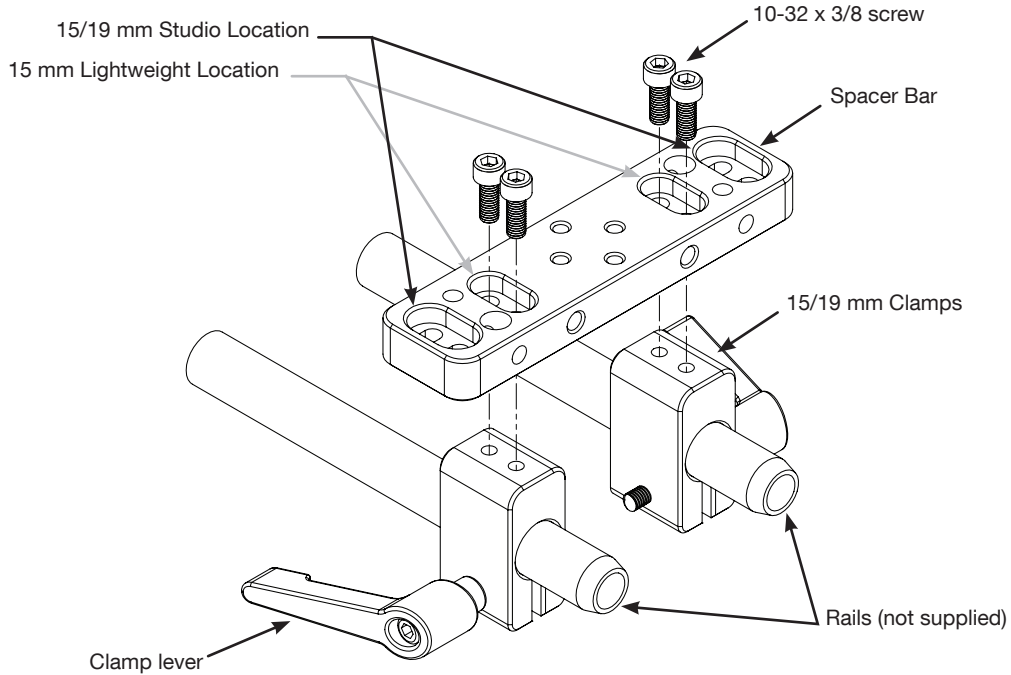
Owner's Manual
Read Before Using

TABLE OF CONTENTS

- 1 TYPICAL SETUP ON 15/19mm RODS
- 2 OPTIONAL LAYOUT FOR MATRIX CHEESE PLATE
- 3 MOUNTING ELIPZ® 10K BATTERY

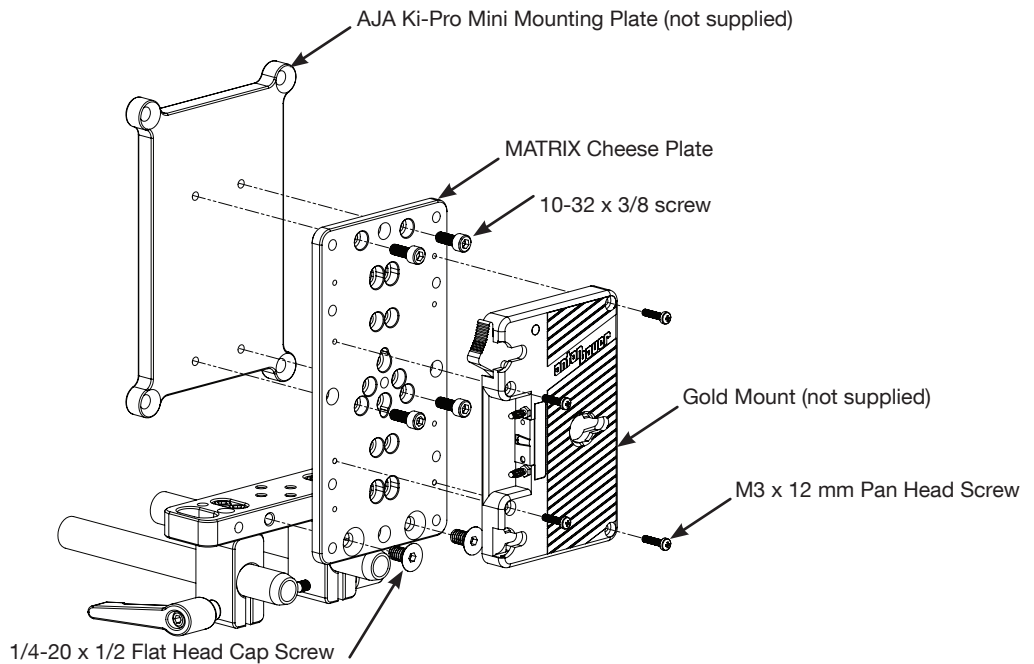
TYPICAL SETUP ON 15/19mm RODS

1. Loosely fasten Spacer Bar to Clamps
2. Slide Clamps onto Rails
3. Secure Clamps in desired location and clamp in place with lever
4. Tighten screws in Spacer Bar using 10-32 x 3/8 screw

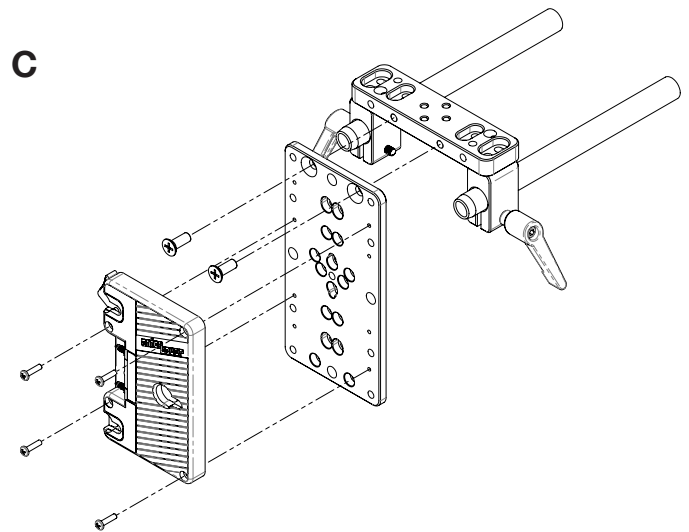
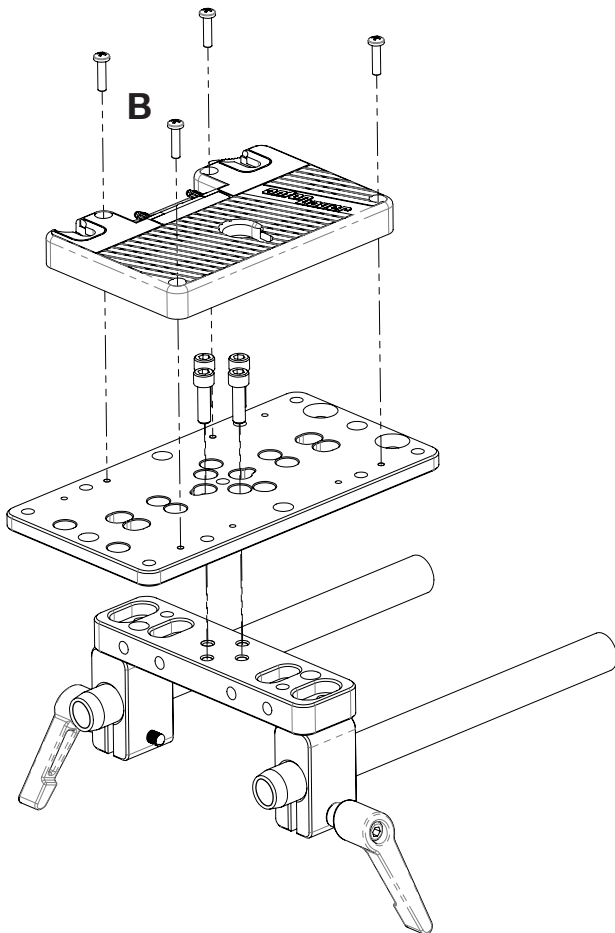
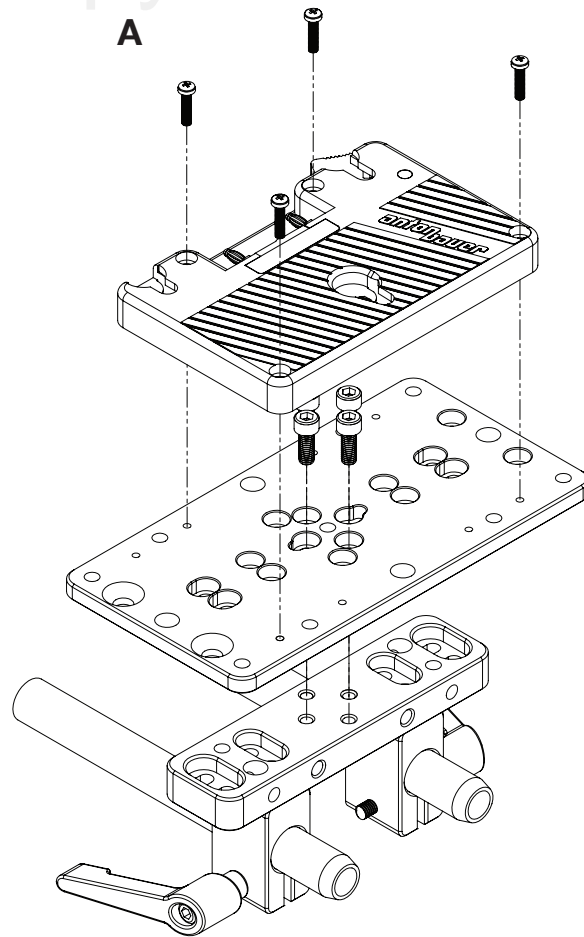


1. Install MATRIX Cheese Plate to Spacer Bar using 1/4-20 x 1/2 Flat Head Cap Screws.
2. OPTIONAL- Install AJA Ki-Pro Mini using 10-32 x 3/8 screws.
3. Install proper GOLD MOUNT® Bracket using M3 x 12mm Pan Head Screws. (standard with your Gold Mount).

NOTE: MATRIX Cheese Plate has 1/4-20 & 3/8-16 tapped holes for various accessory mounting.



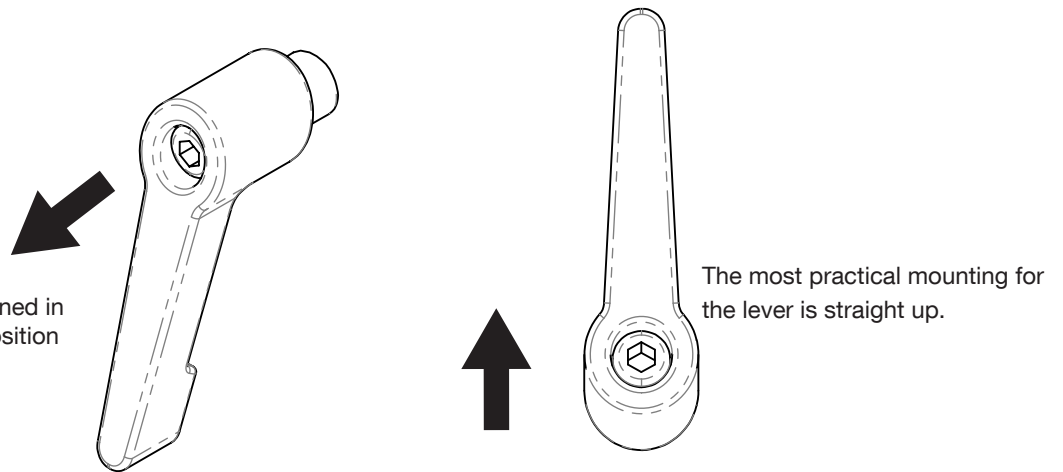
OPTIONAL MOUNTING OPTIONS FOR MATRIX CHEESE PLATE



CLAMP LEVER FEATURE

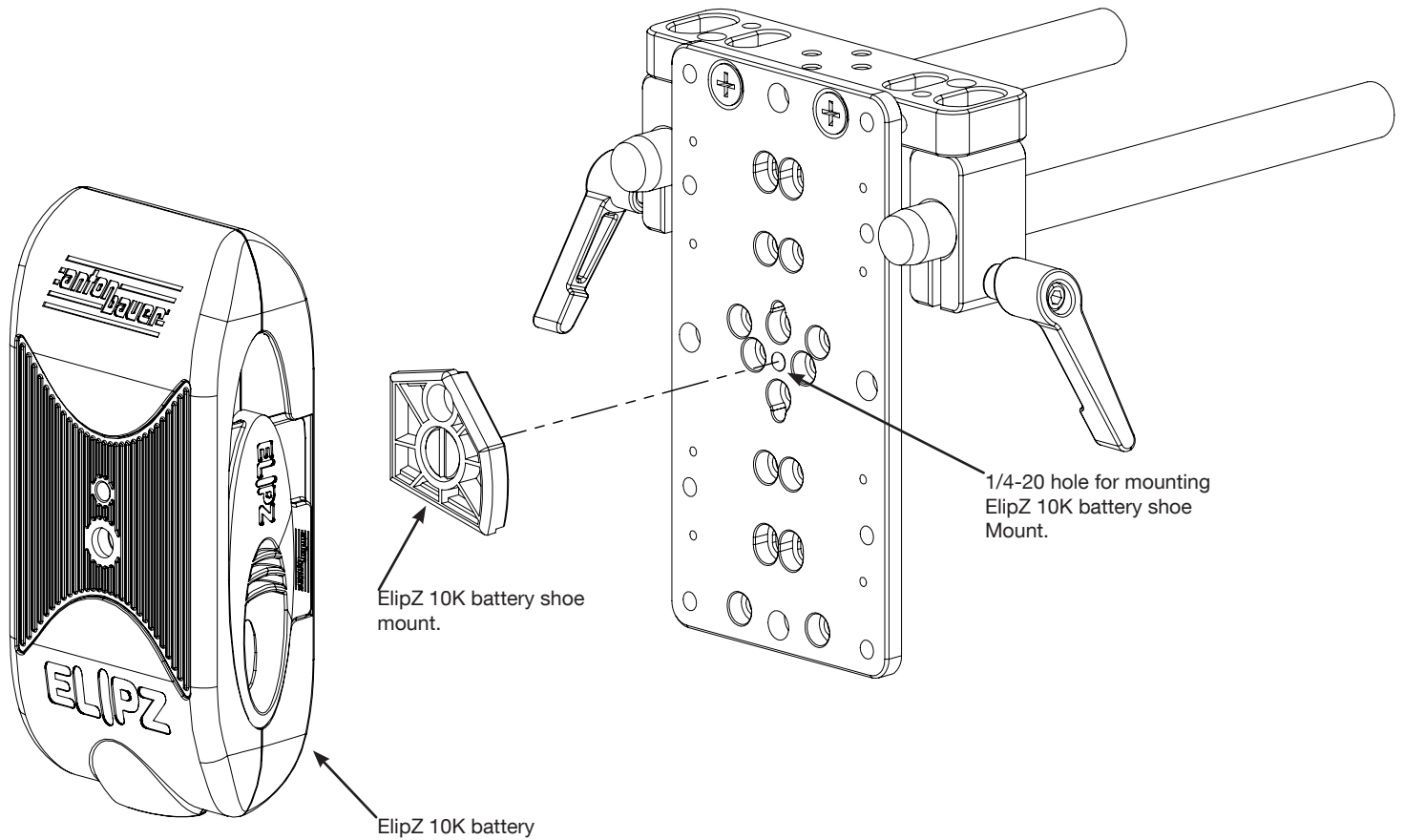
For proper positioning of Clamp Lever

- Once lever has been tightened in place, pull out lever and position lever as needed.



MOUNTING ELIPZ 10K BATTERY

1. See picture below for mounting ElipZ 10K battery.



2. MATRIX Cheese Plate can be mounted in different positions. See page 2 for details.
3. The proper ElipZ power cable is required to power the camera.

The following are trademarks of Anton/Bauer, Inc.:

Anton/Bauer, Anton/Bauer logo and parallelogram design, Aspekt, Automatique, DataTap, DIONIC, Elipz, Egripz, Elightz, Essentialz, Gold Mount, HubZ, HyTRON, Impac, Interactive and design, LifeSaver, Logic Series, Logic Series Logo, Maxx man logo design, Nexus, PowerStrap, Proformer, Probe, ProPac, RealTime, Satelight, Snap-On, Stasis, Stasis Flex, Tandem, TrimPac, Ultrakit, Ultralight, "One World. One Smart Choice", "The power behind the best cameras capturing the best images in the world.", "The quality standard of the video industry", "The worldwide standard", and "There should always be choices. It makes it easier to recognize the best."

Lexan is a registered trademark of G.E. Company Corp.

Cordura is a registered trademark of E.I. duPont de Nemours

Anton/Bauer, Inc.

World Headquarters
14 Progress Drive, Shelton, CT U.S.A.
Tel (203) 929-1100 or (800) 541-1667
Fax (203) 929-9935
support@antonbauer.com

Anton/Bauer Europe, B.V.

Eurode Business Center, Eurode - Park 1-2
6461KB Kerkrade, The Netherlands
Tel (+31) 45 5639220
Fax (+31) 45 5639222
eurosupport@antonbauer.com

Anton/Bauer, Inc. - Singapore Office

6 New Industrial Road, # 02-02 Hoe
Huat Ind. Bld., Singapore 536199
Tel (+65) 62975784
Fax (+65) 62825235
asia@antonbauer.com

www.antonbauer.com

