

FreeSpace® 3 Series II Acoustimass® bass module



Key Features

- **Low-frequency** loudspeaker featuring one 5.25" (133 mm) woofer that delivers deep, non-localized bass support down to 40 Hz without audible distortion. For flush, ceiling, pendant and wall-mount applications
- **Acoustimass speaker technology** filters out audible distortion to deliver non-localized bass
- **Designed** to work with the FreeSpace 3 flush and surface satellite speakers, or existing systems where additional bass reinforcement is desired
- **Module design** allows parallel connection of multiple bass modules and can accommodate two or four FreeSpace 3 satellites per bass module
- **Plenum** rated for use in air handling spaces (with optional plenum cover)
- **Selectable 70/100V** or low impedance with transformer tap adjustment under speaker grille



TECHNICAL DATA SHEET

Product Overview

The Bose® FreeSpace 3 Series II Acoustimass® bass module is designed to provide flush-mount bass augmentation for new and existing background music systems. It features one 5.25" (133 mm) woofer that delivers deep bass down to 40 Hz without audible distortion.

Technical Specifications

System Performance	
Frequency Response (+/-3 dB) ¹	50 Hz - 230 kHz
Frequency Range (-10 dB) ¹	40 Hz - 315 kHz
Nominal Dispersion	Omni-directional below 200 Hz
Recommended High-Pass Filter	40 Hz high-pass filter
Loudspeaker EQ	Recommended
Overload Protection	PTC
Long-Term Power Handling ²	70/100 V: 200 W (800 W peak) mono Low impedance: 50 W (200 W peak) per channel stereo or 100 W (400 W peak) mono
Sensitivity (SPL / 1 W @ 1 m) ³	Per channel: 76 dB SPL (Mono: 79 dB SPL)
Maximum SPL @ 1 m ⁴	Per channel: 96 dB SPL (102 dB SPL peak) Mono: 102 dB SPL (108 dB SPL peak)
Nominal Impedance	6 Ω mono direct (transformer bypassed)
Transformer Taps (70/100 V)	25 W, 50 W, 100 W, 200 W
Transducers	
Driver Compliment	5.25" (133 mm) dual voice coil low frequency driver
Physical	
Enclosure	PC/ABS
Grille	Expanded metal grille
Environmental	Indoor use only
Connectors	Multi-position screw-type barriers
Suspension / Mounting	Integral quick-install mounting features. Three mounting points at the rear of the housing for pendant mounting
Dimensions	Outer flange diameter: 15.4" (391 mm) Depth: 7.5" (190 mm) Ceiling hole diameter: 14.3" (362 mm)
Ceiling Thickness (Maximum)	1.8" (48 mm)
Net Weight	14 lb (6.4 kg)
Shipping Weight	20 lb (9.1 kg)
Product Code	
Black	040148
White	040147

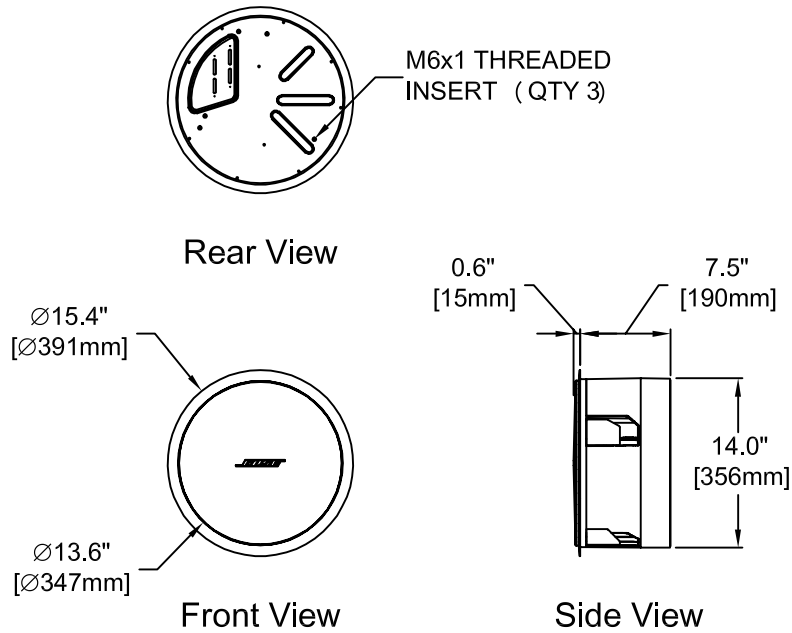
Footnotes:

- ¹ Frequency response and range measured on-axis with recommended active EQ in an anechoic environment.
- ² Power handling tested using pink noise filtered to meet IEC 268-5, 6 dB crest factor, 100 hours, with recommended EQ.
- ³ Sensitivity measured in free field (no boundary-loading gain) with recommended active EQ, referenced to 1W/1m.
- ⁴ Maximum SPL calculated from sensitivity and power handling specifications, exclusive of power compression.

FreeSpace[®] 3 Series II Acoustimass[®] bass module



Mechanical Diagrams



TECHNICAL DATA SHEET

FreeSpace® 3 Series II Acoustimass® bass module



Architects' and Engineers' Specifications

The low-frequency loudspeaker module shall be a 200 watt ported loudspeaker containing one 5.25" (133 mm) dual voice coil low-frequency driver. The module shall have an input impedance of 6 ohms for direct connection to unequalized low-impedance amplifier sources. The system shall be configured for use with either a 70/100V input or a low-impedance input. The transformer shall offer multiple taps of 25, 50, 100, and 200 watts.

The input connectors shall consist of multi-position screw-type barriers. Wire jumpers for transformer settings shall be provided. Removable covers shall shield all bass module input and jumper connections. The enclosure shall be composed of PC/ABS with an expanded metal grille and shall meet plenum ratings when used with a plenum cover.

The loudspeaker shall be called the Bose® FreeSpace® 3 Series II Acoustimass® module.