

## Digital Mixers

**X32 CORE**  
POWERED BY MIDAS

### 40-Input, 25-Bus Digital Rack Mixer with AES50 Networked Audio, USB Audio Interface and iPad/iPhone\* Remote Control

- 40-input channel, 25-bus, 1U rack-mountable digital mixing core for live and installed sound application
- 48-channel Digital Snake ready\*\* via dual AES50 ports, featuring KLARK TEKNIK's SuperMAC networking capability for ultra-low jitter and latency
- 32 x 32 channel USB 2.0 audio interface
- iPad\* and iPhone\* apps for professional remote operation available free of charge—no host PC required
- 2 TRS outputs for local monitoring plus talkback mic input with trim control and front panel phones connector
- Main LCR, 6 matrix buses and all 16 mix buses featuring inserts, 6-band parametric EQ's and full dynamics processing, plus 8 DCA and 6 mute groups
- Virtual FX rack featuring 8 true-stereo FX slots include high-end simulations such as Lexicon 480L\* and PCM70\*, EMT250\* and Quantec QRS\* etc.
- Networked remote control for show setups with on-screen software editor via Ethernet
- Powerful scene management for convenient handling of complex productions
- USB type-A connector providing file storage and uncompressed stereo recordings plus show presets and system updates
- ULTRANET connectivity for BEHRINGER's P-16 Personal Monitoring System\*\*



It's a "One-Rack Attack"! The X32 CORE takes the brain of the flagship X32 digital mixing console and packs it all into a single rack space. Combine the X32 CORE with our S16 digital snakes to effortlessly run sound with high I/O counts in multiple locations. Dual AES50 networking CAT5 connectors allow for up to 96 remote inputs and 48 output channels to be controlled from and processed by X32 CORE. All of this can be managed concurrently from various locations and instances of our free control software applications, XiQ, XiControl and XControl.

#### Front Side Control

A set of front panel controls can be pre-configured by the engineer to enable a restricted amount of user interaction, while hiding away all the complexity. The rear panel expansion port allows inserting optional I/O cards to interface with existing networked audio infrastructure.

#### At the Heart of it All

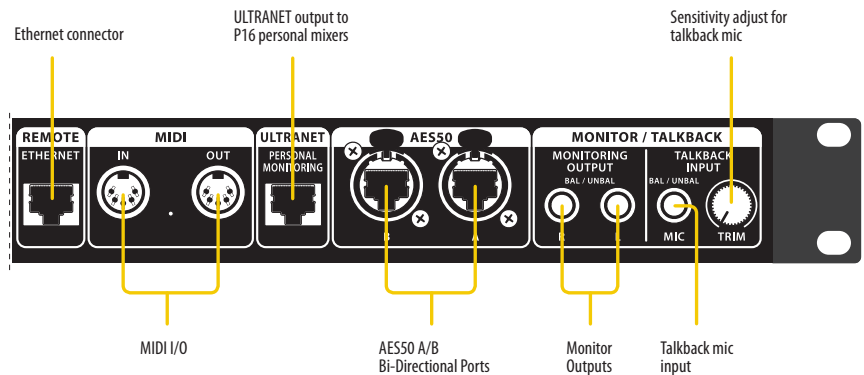
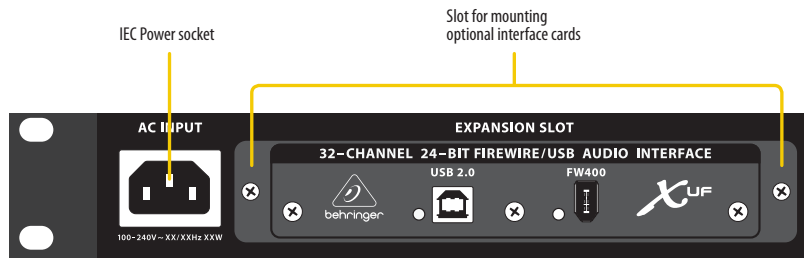
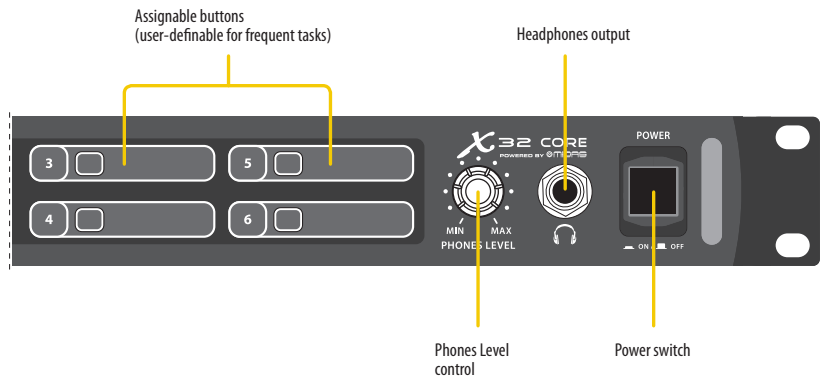
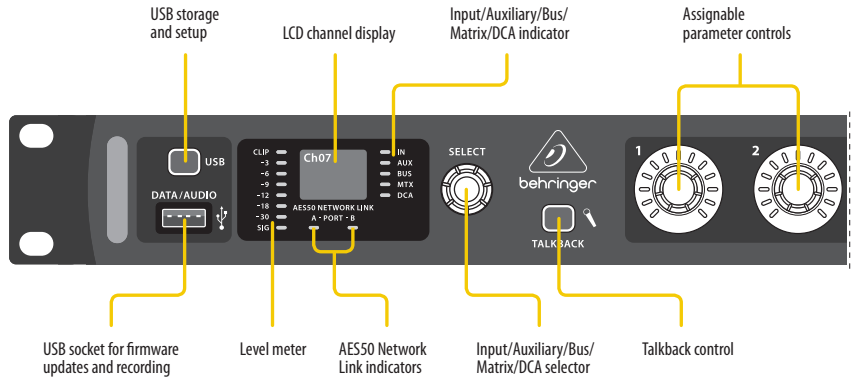
The X32 CORE forms the nucleus of an ultra-flexible studio control room setup when paired with S16 I/O and P16 personal monitoring systems in each tracking room. The built-in 32 x 32 USB recording interface, 8 stereo effects engines, zero-latency monitoring (independent from DAW) and 100% total recall deliver the tools to handle any project you dare to tackle.





- Built-in expansion port for audio interface cards or digital networking bridges
- MIDI In/Out for remote scene recall or controlling other MIDI equipment
- Future firmware updates, incl. new FX "Plug Ins", downloadable from behringer.com free of charge
- Conceived and designed by BEHRINGER Germany

### Front and Rear Panels

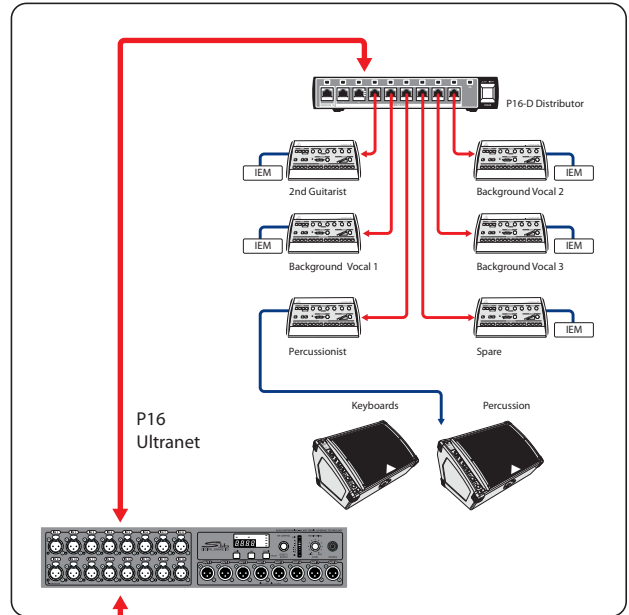
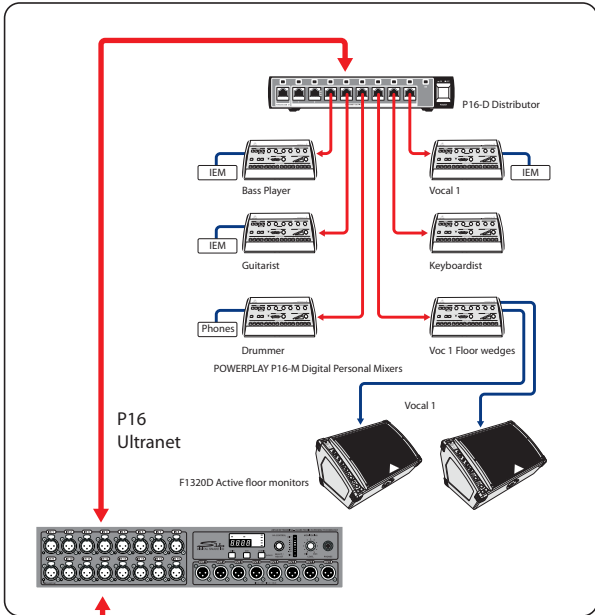


\*FireWire, iPhone, and iPad are trademarks of Apple Inc., registered in the U.S. and other countries. The AES50 trademark is a property of the Audio Engineering Society, NY. All trademarks, including, but not limited to Lexicon, PCM, EMT, Quantec and QRS are trademarks or registered trademarks of their respective owners. Their use neither constitutes a claim of the trademarks nor affiliation of the trademark owners with MUSIC Group. Product names are mentioned solely as a reference for X32 CORE compatibility and effects.

\*\*P16 Personal Monitoring System and Digital Snake are not included.

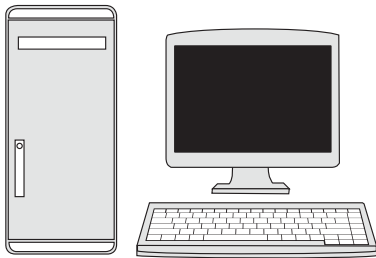


### Multiple Stage Setup with the X32 CORE, S16 Digital Snake and the P16 Personal Monitor System



AES50 Supermac

AES50 Supermac



Control room with XControl app for PC to run both stage setups from one location through the X32 CORE



K8 Active Studio Monitors

Analog balanced TRS





## Specifications

### Processing

Number of processing channels	32 input channels, 8 aux in channels, 8 FX return channels, 16 buses, 6 matrices, main LRC
Internal effects engines, true-stereo / mono	8 / 16
Internal total recall scenes (inkl. preamp and fader)	100
Signal processing	40-bit floating point
A/D-D/A conversion (Cirrus Logic A/D CS5368, D/A CS4385)	24-bit @ 44.1 / 48 kHz, 114 dB dynamic range
Local I/O latency (local in > console processing* > local out)	0.8 ms
Networked I/O latency (stagebox in > console processing* > stagebox out)	1.1 ms
Total number of accessible input sources / outputs	128 / 144

### Connectors

Talkback mic input, XLR	1 ext. (no internal mic)
Monitoring outputs, ¼" TRS balanced	2
Phones outputs, ¼" TRS	1 stereo (in front panel)
AES50 ports, SuperMAC	2
Expansion card (optional)	32 channel audio input/ output, various standards
P-16 connector, Ultraset (no power supplied)	1
MIDI inputs / outputs	1 / 1
Ethernet, RJ45, rear panel, for remote control	1
USB Type A, top panel, for audio and data export/import	1

### Mic Input Characteristics (\* with optional S16 I/O Box)

Preamp Design	MIDAS
THD + noise, 20 dB gain, 0 dBu out	< 0.006% A-weighted
Input impedance XLR, unbal. / bal.	5 kΩ / 10 kΩ
Non clip maximum input level, XLR	+23 dBu
Phantom Power, switchable per input	48 V
Equivalent input noise level, XLR (input shorted)	-128 dBu
CMRR, XLR, @ 20 dB gain (typical)	> 70 dB
CMRR, XLR, @ 40 dB gain	> 80 dB

### Input/Output Characteristics (\* with optional S16 I/O Box)

Frequency range, @ 48 kHz sample rate, 0 dB to -1 dB	10 Hz - 22 kHz
Dynamic range* analog in to analog out (typical)	106 dB
A/D Dynamic range* preamp and converter (typical)	109 dB
D/A Dynamic range*, converter and output	108 dB
Cross talk rejection @ 1 kHz, adjacent channels*	100 dB
Output level, TRS, nom./max.	+4 dBu / +15 dBu
Output impedance, XLR, unbal. / bal.	75 Ω / 75 Ω
Input impedance TRS Jack, unbal. / bal.	20 kΩ / 40 kΩ
Non clip maximum input level, TRS	+16 dBu
Nominal output level, TRS	+4 dBu / +16 dBu
Output impedance, TRS, unbal. / bal.	150 Ω / 300 Ω
Phones output impedance / level	40 Ω / +25 dBm (stereo)
Residual noise level, XLR and TRS	-87 dBu A-weighted

### Indicators

Channel Selector LCD Screen (1 pcs)	128x64, LCD with RGB color backlight
-------------------------------------	---

### Power

Switch-mode autorange power supply	100-240 V (50/60 Hz)
Power consumption	120 W

### Physical

Dimensions	19 x 12 x 17.24" 483 x 307 x 438 mm
Weight	7.9 lbs / 3.6 kg

\*incl. all channel and bus processing, excl. insert effects and line delays

Please note these specifications are preliminary and conceptual in nature, and as such are subject to change as product development progresses. This information is supplied for market research purposes only and is not to be made public in any manner. This document is solely the property of The MUSIC Group, or one of its subsidiaries, and must be surrendered upon request of the owner.

For service, support or more information contact the BEHRINGER location nearest you:

**Europe**  
MUSIC Group Services UK  
Tel: +44 156 273 2290  
Email: CARE@music-group.com

**USA/Canada**  
MUSIC Group Services NV Inc.  
Tel: +1 702 800 8290  
Email: CARE@music-group.com

**Japan**  
MUSIC Group Services JP K.K.  
Tel: +81 3 6231 0454  
Email: CARE@music-group.com

This device has not been authorized by the rules of the Federal Communications Commission. This device is not, and may not be, offered for sale or lease, or sold or leased in the 50 U.S. states, the District of Columbia and U.S. possessions, until authorization is obtained. Technical specifications and appearances are subject to change without notice and accuracy is not guaranteed. BEHRINGER, KLARK TEKNIK, MIDAS, BUGERA, and TURBOSOUND are part of the MUSIC Group (music-group.com). FireWire, iPhone, and iPad are trademarks of Apple Inc., registered in the U.S. and other countries. The AES50 trademark is a property of the Audio Engineering Society, NY. All trademarks, including, but not limited to Lexicon, PCM, EMT, Quantec and QRS are trademarks or registered trademarks of their respective owners. Their use neither constitutes a claim of the trademarks nor affiliation of the trademark owners with MUSIC Group. Product names are mentioned solely as a reference for X32 CORE compatibility and effects. MUSIC Group accepts no liability for any loss which may be suffered by any person who relies either wholly or in part upon any description, photograph or statement contained herein. Colors and specifications may vary from actual product. MUSIC Group products are sold through authorized fulfillers and resellers only. Fulfillers and resellers are not agents of MUSIC Group and have absolutely no authority to bind MUSIC Group by any express or implied undertaking or representation. This manual is copyrighted. No part of this manual may be reproduced or transmitted in any form or by any means, electronic or mechanical, including photocopying and recording of any kind, for any purpose, without the express written permission of MUSIC Group IP Ltd. ALL RIGHTS RESERVED © 2013 MUSIC Group IP Ltd. Trident Chambers, Wickhams Cay, P.O. Box 146, Road Town, Tortola, British Virgin Islands.

behringer.com

