

# Classis GM 301

Gooseneck Microphone

## FEATURES

- RFI-proof due to Scudio™ technology
- Supercardioid polar pattern
- High gain-before-feedback
- Flat, wide range frequency response
- High-quality reproduction of speech
- Flexible gooseneck for optimum positioning
- Unobtrusive design

## APPLICATIONS

The GM 301 has specially been designed for the installation into tables or desks and is suitable for use in discussions and tele/video conferences. The 85 mm long gooseneck is provided with a 4-pin female mini XLR connection to connect the microphone to the CVE 301.18 power supply which can be installed into tables or desks and provides a protection against mechanical vibration. If the microphone is not connected, the connection of the CVE 301.18 can be covered with the included covering cap. The GM 301 can also be connected directly to a backpack transmitter of the Opus wireless systems series and is therefore ideal for lecture rooms, forum discussions or presentations.

The Classis GM 301 microphone features the innovative Scudio™ technology, making the microphone absolutely insensitive to wireless communication devices such as mobile phones.

## ARCHITECT'S SPECIFICATIONS

The supercardioid electret condenser microphone shall be used as a high-quality conference, paging and PA microphone. The phantom power shall be between 8 and 52 V. The filter in the microphone grille shall eliminate wind and pop noise. The SCUDIO® technology shall eliminate interferences of other wireless communication devices. The fully metal housing shall be non-glare and black. The gooseneck shall provide a thickness of 6 mm [0.2"] and a total length of 113.5 mm [4.5"] without integrated adapter. The microphone diameter shall be 11 mm [0.4"]. The frequency response shall be 50 - 19,000 Hz. The open circuit voltage shall be 17 mV/Pa. The nominal impedance shall be 200 ohms. The microphone shall be provided with a 4-pin female mini XLR connector. The net weight shall be 0.024 kg [0.05 lbs]. The microphone shall include the CVE 301.18 adapter with integrated power supply and electronic signal symmetrisation. The adapter shall be provided with a 4-pin male mini XLR connector to connect the microphone and a 3-pin male XLR connector. The net weight shall be 72g [0.2 lbs].

Manufacturer: beyerdynamic  
Type: Classis GM 301



## TECHNICAL SPECIFICATIONS

Transducer type	Condenser (back electret)
Operating principle	Pressure gradient
Frequency response	50 - 19,000 Hz
Polar pattern	Supercardioid
Open circuit voltage at 1 kHz	17 mV/Pa
Nominal impedance	< 200 Ω
Load impedance	≥ 1 kΩ
S/N ratio rel. to 1 Pa / noise voltage	69 dB [A] / 6.0 μV [A]
Equivalent SPL	25 dB [A]
Sound pressure level	107 dB [SPL @ 1% THD]
Supply voltage	8 - 52 V phantom power
Power consumption	2.0 mA
Connection	4-pin female mini XLR
Dimensions	
Length	100 mm
Head diameter	11 mm
Weight:	
GM 301.18	24 g
CVE 301.18	72 g
GM 301 (Set)	96 g

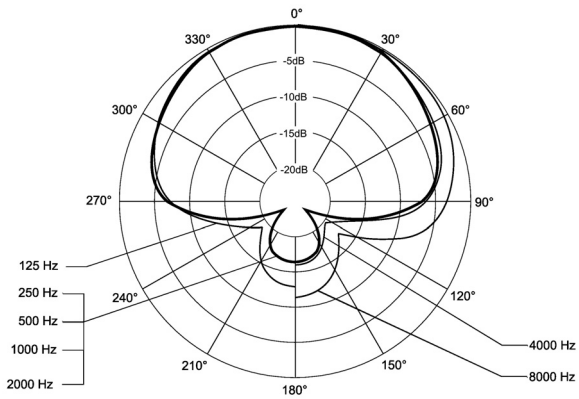
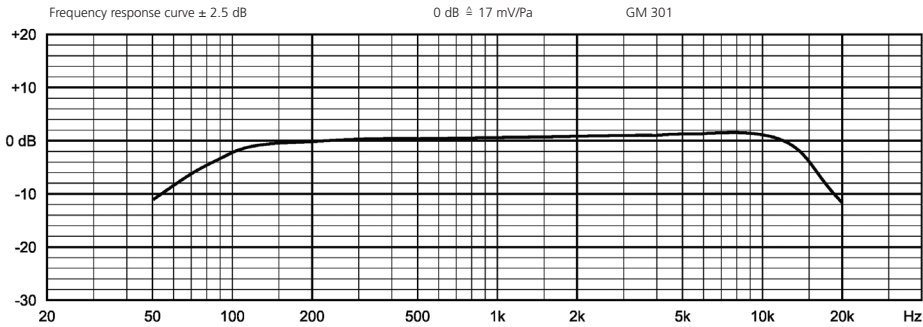
## COMPONENTS

Classis GM 301	Set consisting of: supercardioid Classis GM 301.18 miniature condenser microphone, black, incl. wind shield and CVE 301.18 power supply with cover cap . . . . . Order # 489.336
Classis GM 301.18	Supercardioid miniature condenser microphone, black, with 4-pin female mini XLR connection, incl. wind shield . . . . . Order # 489.328

# Classis GM 301

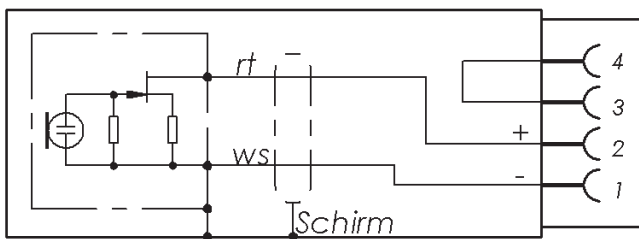
## FREQUENCY RESPONSE & POLAR PATTERN

This frequency response curve (measuring tolerance  $\pm 2.5$  dB) and polar pattern correspond to a typical production sample for this microphone.

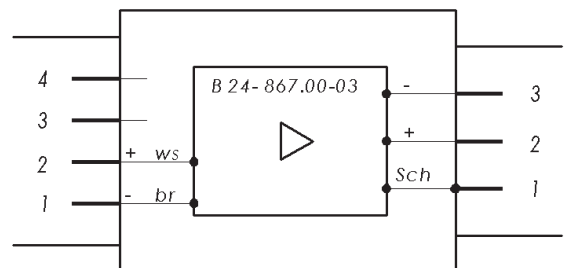


## WIRING DIAGRAM

Classis GM 301.18



CVE 301.18



*br* = braun / brown / brun  
*rt* = rot / red / rouge  
*ws* = weiß / white / blanc  
*Sch* = Schirm / shield / écran

# Classis GM 301

## DIMENSIONS

Classis GM 301

