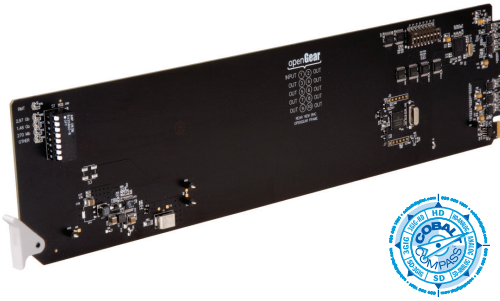


9002 » 3G/HD/SD DISTRIBUTION AMPLIFIER (NON-RECLOCKING)



The 9002 is a multi-rate SDI and ASI distribution amplifier capable of equalizing 3G, HD, and SD signals. All outputs are non-inverted for distribution of ASI signals.

» FEATURES

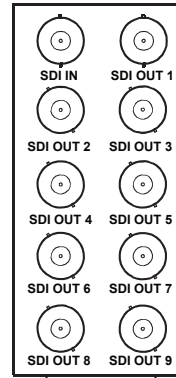
Automatic rate detection/display for all popular data rates

Remote monitoring via Dashboard™ software or OGCP-9000 remote control panel

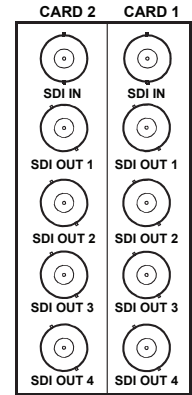
ASI distribution on all outputs

Equalizes up to 150m of Belden 1694A cable at 1.485 Gbit

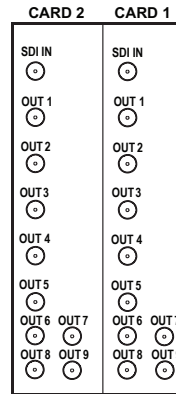
Five year warranty



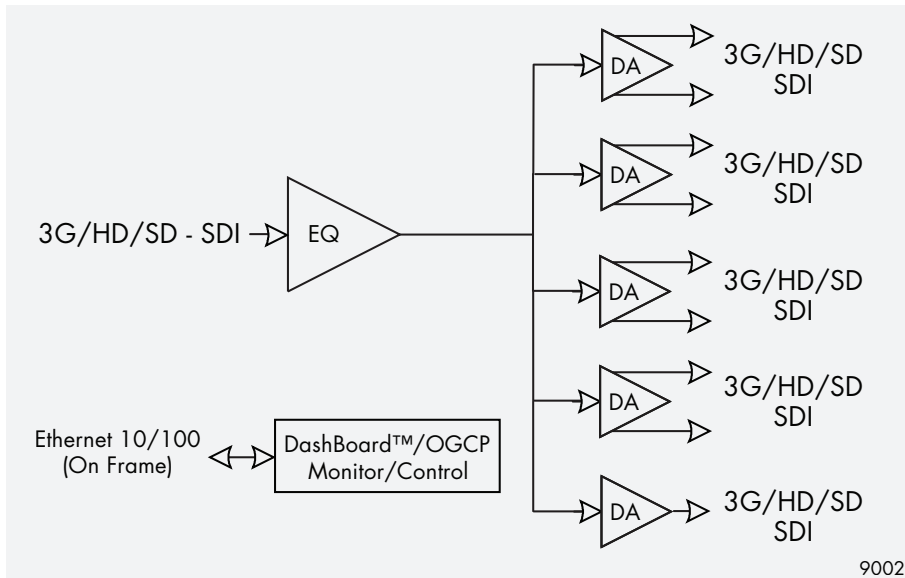
RM20-9002-A



RM20-9002-A/S



RM20-9002-B/S



9002



» SPECIFICATIONS

Electrical

Power: 2 watts

3G/HD/SD-SDI Input

Number of Inputs: 1
 Standard: SMPTE 424M, 292M, and 259M
 Return Loss: >15 dB at 5 MHz - 1.485 GHz
 >10 dB at 1.5 GHz to 3 GHz

Cable Length Equalized (w/Belden 1694A)

3 Gbps: 80m
 1.485 Gbps: 150m
 143-360 Mbps: 350m

3G/HD/SD-SDI Output

Number of outputs: 9 (ASI Compatible)
 Standard: SMPTE 424M, 292M, and 259M
 Signal Level: 800 mV nominal
 Return Loss: >15 dB at 5 MHz - 1.485 GHz
 >10 dB at 1.5 GHz to 3 GHz
 Jitter (wideband): HD: < 0.2 UI

» ORDERING INFORMATION

9002 3G/HD/SD Non-Reclocking Distribution Amplifier

RM20-9002-A 20-Slot Frame Rear I/O Module (Standard Width) HD/SD-SDI Input BNC, 9 HD/SD-SDI Output BNCs

RM20-9002-A/S 20-Slot Frame Rear I/O Module (Split) Dual HD/SD-SDI Input BNC, 4 HD/SD-SDI Output BNCs per card

RM20-9002-B/S-HDBNC 20-Slot Frame Rear I/O Module (Split) Dual HD/SD-SDI Input (HDBNC), 1x9 HD/SD-SDI Outputs per card (All connectors HDBNC)

RM20-9002-B/S-DIN 20-Slot Frame Rear I/O Module (Split) Dual HD/SD-SDI Input (DIN1.0/2.3), 1x9 HD/SD-SDI Outputs per card (All connectors DIN1.0/2.3)