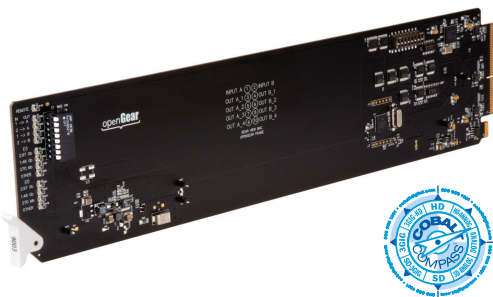


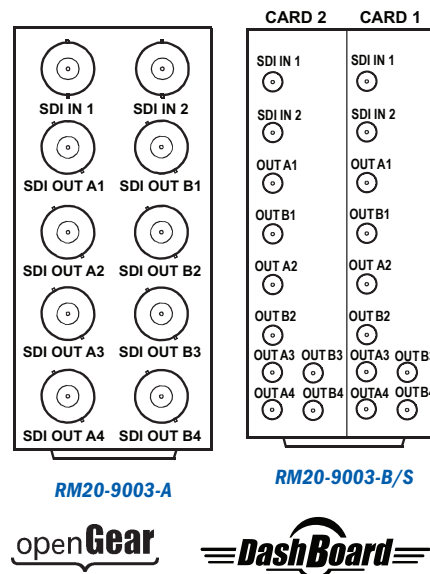
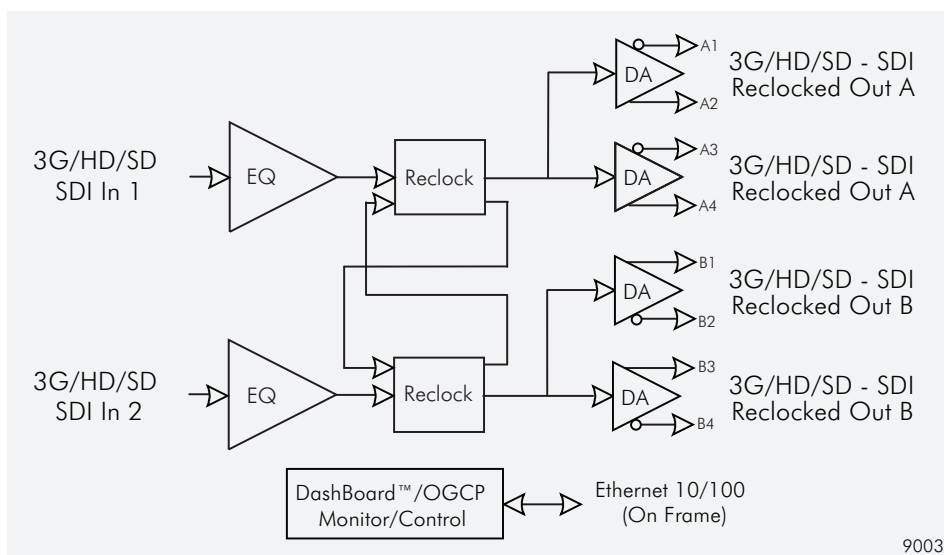
9003 » DUAL 3G/HD/SD RECLOCKING DISTRIBUTION AMPLIFIER



The 9003 is a 2-channel, multi-rate SDI distribution amplifier capable of equalizing and reclocking 3G, HD, and SD signals. The 9003 can be set up as either a single-channel 1:8, dual-channel 1:4, or 1:8 with failsafe using DashBoard™ remote control software or card-edge switches. In failsafe mode, the card automatically switches to the secondary input if the primary input is lost.

» FEATURES

- | | |
|---|---|
| Dual or single input with user-configurable modes | Remote monitoring via DashBoard™ software or OGCP-9000 remote control panel |
| Automatic rate detection/display for all popular data rates | Failsafe mode automatically switches to secondary input on primary input loss |
| Equalizes up to 160m of Belden 1694A cable at 1.485 Gbit | Five year warranty |



openGear DashBoard

» SPECIFICATIONS

Electrical Power: 3 watts	Cable Length Equalized (w/Belden 1694A) 3 Gbps: 100m 1.485 Gbps: 160m 143-360 Mbps: 350m	3G/HD/SD-SDI Output Number of outputs: 8 (4 ASI Compatible) Standard: SMPTE 424M, 292M, and 259M Signal Level: 800 mV nominal Return Loss: >15 dB at 5 MHz - 1.485 GHz >10 dB at 1.5 GHz to 3 GHz Jitter (wideband): HD: < 0.2 UI
-------------------------------------	--	--

» ORDERING INFORMATION

- 9003** Dual 3G/HD/SD Reclocking Distribution Amplifier, 2 X 4 or 1 X 8 Configurations, Failover mode
- RM20-9003-A** 20 Slot Frame Rear I/O Module (Standard Width) Dual 3G/HD/SD-SDI Inputs, 8 Reclocked 3G/HD/SD-SDI Outputs (1x8 or 1x4/1x4 DA Modes)
- RM20-9003-B/S-HDBNC** 20 Slot Frame Rear I/O Module (Split; connections listed are per card) Dual 3HD/SD-SDI Inputs, 8 Reclocked 3G/HD/SD-SDI Outputs (1x8 or 1x4/1x4 DA Modes) (HDBNC High Density)
- RM20-9003-B/S DIN** RM20-9003-B/S-DIN 20 Slot Frame Rear I/O Module (Split; connections listed are per card) Dual 3HD/SD-SDI Inputs, 8 Reclocked 3G/HD/SD-SDI Outputs (1x8 or 1x4/1x4 DA Modes) (DIN 1.0/2.3 High Density)