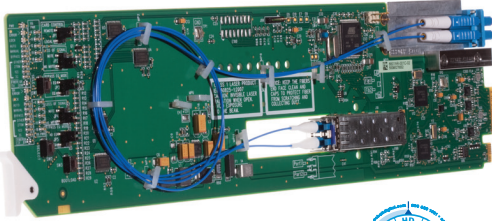


# 9214-2EO » DUAL 3G/HD/SD-SDI FIBER TRANSMITTER

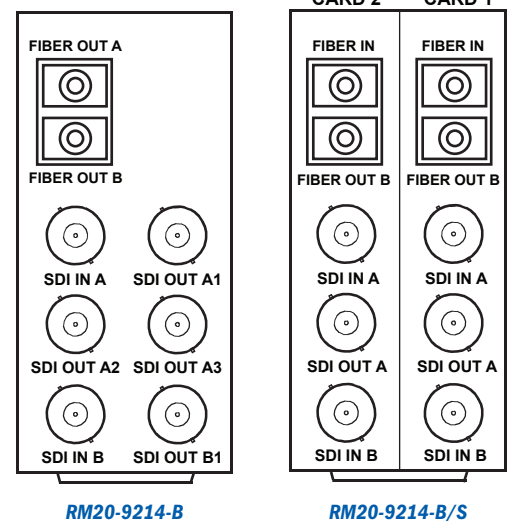
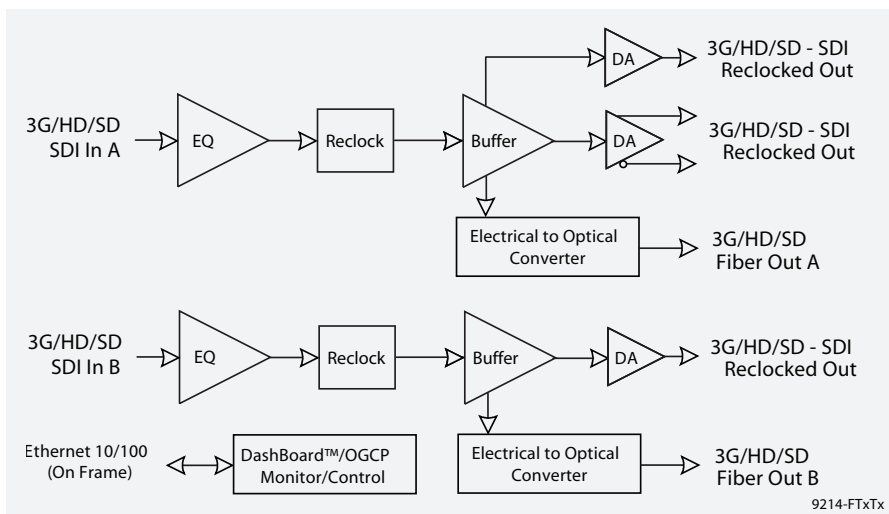


The 9214-2EO is dual SDI to fiber optic transmitter card. The card converts two SDI signals to two fiber optic links, allowing for longer transport distances. Reclocked SDI outputs provide copies of each SDI input signal. The card supports serial digital data rates from 270 Mbps up to 2.98 Gbps (1080p). LED indicators at the front of the card identify the presence of incoming video and the identified signal data rates for each channel independently.

The 9214-2EO is fully hot swappable with all active components on the front removable module. No active components are installed on the rear module, greatly reducing down time and eliminating any need for users to access the back of the rack frame. Each channel of the 9214-2EO equalizes the incoming SDI signal and reclocks the signal with automatic rate detection for all popular data rates. Up to 20 cards can be used in the 20-Slot frame to achieve a density of 40 electrical to optical conversions in 2RU.

## » FEATURES

Supports single-mode fiber	LC/UPC optical connection	LED indicators for signal presence and data rate	Remote monitoring via Dashboard™ software or OGCP-9000 control panel
Reclocking at 270 Mbps, 1.483 Gbps, 1.485 Gbps, 2.967 Gbps, and 2.970 Gbps	Automatic detection of incoming data rate		Five year warranty



## » SPECIFICATIONS

<b>Electrical</b> Power: 4 watts	<b>Cable Lengths (w/Belden 1694A)</b> 3 Gbps: 80 m 1.485 Gbps: 120 m 143-360 Mbps: 300 m	<b>SDI Outputs</b> Number of Outputs: 4 Full Rear Module: 4 Split Rear Module: 1 Return Loss: >15 dB (for SMPTE 259M) Connector Types: BNC and Single Mode LC/UPC Fiber
<b>SDI Input</b> Number of Inputs: 2 Standard: 143-360 Mbps - SMPTE 259M 1.485 Gbps - SMPTE 292 3 Gbps - SMPTE 424M		

## » ORDERING INFORMATION

<b>9214-2EO</b> Dual 3G/HD/SD Fiber Transmitter Card	<b>RM20-9214-B</b> 20-Slot Frame Rear I/O Module (Standard Width) with 2 Optical LC Outputs, 3 Reclocked Copies of Input 1 and 1 Reclocked Output of Input 2	<b>RM20-9214-B/S</b> 20-Slot Frame Rear I/O Module (Split) 2 Input BNCs, 2 Optical LC Outputs, 1 Input A Reclocked Output BNC (per card)
--	--	--

