

9910DA-AV-EQ » ANALOG VIDEO DISTRIBUTION AMPLIFIER

With EQ

The all-new Cobalt® **9910DA-AV-EQ** Analog Video Distribution Amplifier with EQ provides 1x8 distribution with one analog input and eight 75Ω analog outputs. Card jumpers allow setting the input as differential (floating ground) or single-ended, AC or DC coupled, and Hi-Z looping input or on-card 75Ω terminated. Trim controls located on the front of the card allow EQ adjustment and gain control. The card can be accessed using DashBoard™ remote control for status monitoring.

» FEATURES

Multi-mode input provides differential or single-ended input and hi-Z looping or card-terminated operation

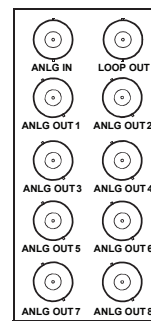
Signal path can be set as DC or AC coupled

User adjustable EQ and gain with easily accessible controls on front of card edge. EQ optimizes performance for input cable lengths exceeding 1000 ft (300m).

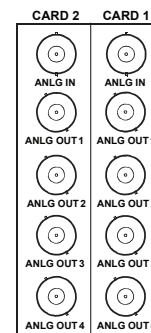
User-selectable input clamping (none, fast, or slow clamping selectable)

Remote monitoring via DashBoard™ software or OGCP-9000 Remote Control Panel

Five year warranty

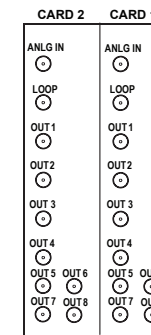


RM20-9910AV-B



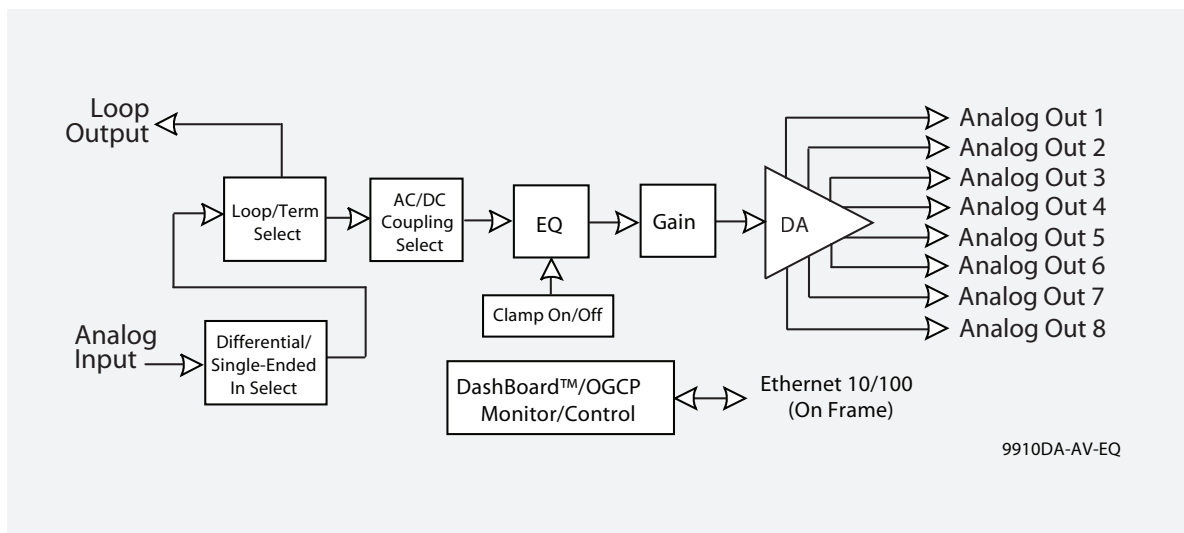
RM20-9910AV-A/S

Note: RM20-9910AV-A/S allows only typical single-ended input operation (shield conductor of input BNC tied to GND). Also, this rear module can only be used when input termination (non-looping) is selected using the card jumper.



RM20-9910AV-B/S

Note: RM20-9910AV-B/S allows only typical single-ended input operation (shield conductor of input BNC tied to GND).



9910DA-AV-EQ

» SPECIFICATIONS

Power
2 Watts

Analog Video Input

Number of inputs: (1)
Impedance: User selectable as hi-Z looping or card-terminated 75Ω
Level: 1 Vp-p, nominal
Return Loss: 46 dB @ 3.58 MHz
Input modes: User selectable as differential/single-ended and AC or DC coupled

Analog Video Outputs

Number of DA outputs: up to (8) Impedance: 75Ω
Level: 1 Vp-p, nominal Looping Output: (1)

Performance

Frequency response: >0.05 dB @ 3.58 MHz Differential Gain: >0.15% @ 3.58 MHz Differential Phase: >0.15° @ 3.58 MHz
S/N: >60 dB; 5 MHz BW

» ORDERING INFORMATION

9910DA-AV-EQ Analog Video Distribution Amplifier with EQ

RM20-9910AV-B 20-Slot Frame Rear I/O Module (Standard Width) (1) Analog Video Input BNC, (8) Analog DA Output BNCs, (1) Input Loop Output BNC

RM20-9910AV-A/S 20-Slot Frame Rear I/O Module (Split; supports 2 cards) (1) Analog Video Input BNC, (4) Analog DA Output BNCs (connections are per card)

RM20-9910AV-B/S-DIN 20-Slot Frame Rear I/O Module (Split; supports 2 cards) (1) Analog Video Input, (8) Analog DA Outputs, (1) Input Loop Output (connections are per card; all connectors are DIN 1.0/2.3)

RM20-9910AV-B/S-HDBNC 20-Slot Frame Rear I/O Module (Split; supports 2 cards) (1) Analog Video Input, (8) Analog DA Outputs, (1) Input Loop Output (connections are per card; all connectors are HD-BNC)